

Publication No. 660992

SERIES I, II, III, IV & V

Parts List Sunbeam Alpine

**Birmingham Parts Depot
Coventry Rd., Birmingham 10
Tel: 021-772-4321 Grams: Rootespart
Telex Rootespart, Birmingham
Telex No. 33-304/33-306**

Chrysler Overseas Trading Co. Ltd. Rotterdam

**FEBRUARY 1965
REPRINT JANUARY 1966
5th Issue Lit. 023**

Sunbeam Alpine

Series I, II, III, IV & V

COMMENCING CHASSIS NO.

Series I	B9000001
Series II	B9100001
Series III	B9200001
Series IV	B9400001
Series IV	B94100001 Built Up B94600001 C.K.D.
Series V	B395000001 Built Up B395900001 C.K.D.

INDEX TO SECTIONS

For Descriptive Index see
pages vi to viii

INDEX AND FOREWORD	
ENGINE (Motor) UNIT & ENGINE (Motor) AUXILIARIES — Series I, II, III and IV	A
ENGINE (Motor) UNIT & ENGINE (Motor) AUXILIARIES — (1725)	AA
PETROL (Fuel) PUMP	B
CARBURETTOR — Series I and II	C
CARBURETTOR (Zenith) — Series III	CA
CARBURETTOR (Solex) — Series III and IV	CB
CARBURETTOR (Stromberg) — Series V onwards	CC
CARBURETTOR CONTROLS (Zenith) — Series I, II and III	D
CARBURETTOR CONTROLS (Solex) — Series III and IV (Standard Transmission)	DA
CARBURETTOR CONTROLS (Stromberg) — Series V onwards (Standard Transmission)	DB
CARBURETTOR CONTROLS — Series IV (Automatic Transmission)	E
CLUTCH AND CONTROLS (Standard Transmission)	F
GEARBOX (Standard Transmission) UNIT AND FLOOR CHANGE CONTROL (Up to B94100000)	G
GEARBOX (Standard Transmission) UNIT AND FLOOR CHANGE CONTROL (From B94100001)	GA
GEARBOX (Automatic Transmission) UNIT AND FLOOR CHANGE CONTROL	H
OVERDRIVE (Transmission) UNIT	J
SUSPENSION — FRONT — Series I, II and III	M
SUSPENSION — FRONT — Series IV onwards	MA
REAR AXLE and ROAD WHEELS	N
PROPELLOR SHAFT	P
BRAKES and CONTROLS	Q
STEERING and CONTROLS — Series I and II	R
STEERING and CONTROLS — Series III onwards	RA
SUSPENSION — REAR	S
RADIATOR — Series I and II	T
RADIATOR — Series III onwards	TA
PETROL (Fuel) SYSTEM — Series I and II	U
PETROL (Fuel) SYSTEM — Series III onwards	UA
EXHAUST SYSTEM — Series I and II	V
EXHAUST SYSTEM — Series III onwards	VA
ELECTRICAL EQUIPMENT	W
BODY MOUNTING	X
BODY FITTINGS — Series I and II	YV
BODY FITTINGS — “Le Mans”	YW
BODY FITTINGS — Series III and IV	YX
SPECIAL ACCESSORIES	ZU
TOOLS	ZV
REPLACEMENT SERVICE UNITS	ZW
PARTS and SERVICE PUBLICATIONS	ZX
BOLTS, SCREWS, NUTS and WASHERS	ZY
NUMERICAL INDEX	ZZ

INDEX

INDEX

	Page No.		Page No.
BODY FITTINGS—Series I and II			
Body Panels	YV1 - YV4	Hose	Q13
Door Fittings	YV4 - YV6	Handbrake Lever	Q15
Facia Fittings	YV8 - YV9	Handbrake Cable	Q15 - Q16
Folding Head Fittings	YV10 - YV11	Lever Assembly—Compensator	Q17
Front Seat Fittings	YV9	Master Cylinder	Q5 - Q7
Hardtop Fittings	YV12 - YV13	Rear Brakes (Drum)	Q2
Miscellaneous Trim	YV16 - YV18	Vacuum Servo Unit	Q8 - Q10
Paint	YV18	Wheel Cylinder, Rear	Q3 - Q5
Rear Seat and Battery Fittings	YV9 - YV10		
Rear Trunk Fittings	YV13 - YV14	CARBURETTOR—Series I and II	C1 - C4
Soft Trim	YV14 - YV16	CARBURETTOR (Zenith)—Series III	CA1 - CA3
Windscreen (Windshield)	YV6 - YV8	CARBURETTOR (Solex)—Series III and IV	CB1 - CB3
		CARBURETTOR (Stromberg)—Series V onwards	CC1 - CC2
BODY FITTINGS—"Le Mans"		CARBURETTOR CONTROLS (Zenith)—	
Body Panels	YW1 - YW2	Series I, II and III	D1 - D2
Boot Lid and Rear Window	YW7 - YW8	CARBURETTOR CONTROLS (Solex)—	
Door Fittings	YW3 - YW4	Series III and IV (Standard Transmission)	DA1 - DA2
Exterior Mouldings	YW12	CARBURETTOR CONTROLS (Stromberg)—	
Facia Fittings	YW5 - YW6	Series V onwards (Standard Transmission)	DB1
Front Seat Fittings	YW6	CARBURETTOR CONTROLS (Automatic	
Hardtop Fittings	YW7	Transmission)	E1 - E2
Miscellaneous Trim	YW10 - YW11	CLUTCH AND CONTROLS (Standard Transmission)	
Paint	YW11	Clutch Unit	F1 - F3
Quarterlight	YW4	Clutch Pedal	F6
Rear Seat and Battery Fittings	YW6 - YW7	Master Cylinder	F7 - F8
Screenwasher	YW5	Slave Cylinder	F5 - F6
Soft Trim	YW9 - YW10	ELECTRICAL EQUIPMENT	
Sparewheel Compartment Lid and Floor	YW8 - YW9	Alternator	W15
Windscreen (Windshield) Fittings	YW4 - YW5	Battery	W18 - W19
		Cables, Grommets and Connectors	W23 - W25
BODY FITTINGS—From Series III		Control Box (Regulator) Unit	W19
Body Panels	YX1 - YX4	Control Box—Alternator	W15
Door Fittings	YX4 - YX7	Distributor	W16 - W17
Facia Fittings	YX9 - YX11	Dynamo (Generator)	W15
Folding Head Fittings	YX13 - YX14	Flasher System	W21
Front Seat Fittings	YX11 - YX12	Fuse Unit	W19
Hardtop Fittings	YX14 - YX16	Horn	W22
Miscellaneous Trim (Standard)	YX28 - YX30	Horn Ring—Steering Column Control	W22 - W23
Miscellaneous Trim ("G.T.")	YX31 - YX32	Ignition Coil	W17
Paint	YX34	Instruments	W1 - W3
Rear Seat and Battery Fittings (Standard)	YX12	Lamps	W4 - W12
Rear Seat and Battery Fittings ("G.T.")	YX12 - YX13	Overdrive System	W22
Rear Trunk Fittings	YX16 - YX17	Spark Plugs	W18
Screenwasher	YX8	Speedometer Cables	W2
Soft Trim	YX18 - YX27	Starter (Motor)	W14
Windscreen (Windshield)	YX7 - YX8	Starter Solenoid Switch	W13
Underframe Section	YX1	Switches	W12 - W14
		Voltage Regulator — Instruments	W3
BODY MOUNTING		Warning Lamps	W3
Air Ventilation	X2 - X4	Windscreen (Windshield) Wiper	W20 - W21
Bonnet (Hood)	X4 - X5		
Bumpers	X6		
Front Number Plate Hanger	X6 - X7		
Radiator Grille	X1 - X2		
BRAKES AND CONTROLS			
Brake Pipes	Q12		
Brake Pedal	Q13 - Q14		
Brake Rods	Q17 - Q18		
Front Brakes (Disc)	Q1		

INDEX—continued

	Page No.		Page No.
ENGINE (Motor) UNIT—Series I, II, III and IV			
Big End Bearing Set	A4 - A5		
Conn. Rod, Less Bearing	A4		
Camshaft	A6		
Camshaft Bearings	A1		
Crankshaft	A5		
Cylinder Block	A1		
Cylinder Head	A10 - A11		
Exhaust Valve	A12		
Flywheel and Starter Ring (Gear)	A6		
Inlet Valve	A12		
Main Bearing Set	A5		
Oil Filter Unit	A9 - A10		
Oil Pump	A7		
Pipe—Oil Jet	A7		
Pistons	A2 - A4		
Rocker Shaft	A12		
Sump	A8		
Thermostat	A14		
Timing Cover	A7		
Water Pump	A13		
ENGINE (Motor) AUXILIARIES—Series I, II, III and IV			
Air Cleaner (Zenith)	A17		
Air Cleaner (Solex)	A20		
Drain Tap	A22		
Fan Belt	A22		
Fan Blades	A22		
Front Engine Mounting	A24		
Manifolds (Zenith)	A15 - A17		
Manifolds (Solex)	A18 - A20		
Suction Pipe, Distributor Auto Control	A22 - A23		
Top Overhaul Gasket Set	A15		
Oil Cooler	A21		
Oil Gauge	A24		
ENGINE (Motor) UNIT (1725)			
Big End Bearing Set	AA2		
Conn. Rod, Less Bearing	AA1		
Camshaft	AA2		
Camshaft Bearings	AA1		
Crankshaft	AA2		
Cylinder Block	AA1		
Cylinder Head	AA5		
Exhaust Valve	AA5		
Flywheel and Starter Ring (Gear)	AA2		
Inlet Valve	AA5		
Main Bearing Set	AA2		
Oil Filter Unit	AA4		
Oil Pump	AA3		
Pipe—Oil Jet	AA3		
Pistons	AA1		
Rocker Shaft	AA5		
Sump	AA4		
Thermostat	AA6		
Timing Cover	AA3		
Water Pump	AA6		
ENGINE (Motor) AUXILIARIES (1725)			
Air Cleaner	AA9		
Drain Tap	AA10		
Fan Belt	AA10		
Fan Blades	AA10		
Front Engine Mounting	AA11		
Manifolds	AA8		
Suction Pipe, Distributor Auto Control	AA11		
Top Overhaul Gasket Set	AA8		
Oil Cooler	AA9		
Oil Gauge	AA11		
EXHAUST SYSTEM—Series I and II ...	V1 - V2		
EXHAUST SYSTEM—From Series III onwards	VA1 - VA2		
GEARBOX (Standard Transmission) UNIT			
(Up to B94100000)			
1st Speed Wheel	G3		
2nd Speed Wheel	G3		
3rd Speed Wheel	G3		
Baulking Rings	G3		
Change Speed (Gearshift) Lever Assembly	G6 - G7		
Crossmember, Rear Engine Mounting	G7		
Engine Support Bracket—Rear	G7		
Front Cover	G1		
Layshaft Cluster (Countershaft Gears)	G4		
Mainshaft	G2 - G3		
Primary (Clutch) Shaft (Stemwheel)	G2		
Rear Cover	G1		
Reverse Idler Wheel (Gear)	G4		
Selector Shaft (Shift Rod)	G4 - G5		
Speedometer Driving Wheel (Gear)	G4		
Speedometer Driving Pinion	G4		
Top Cover	G5 - G6		
GEARBOX (Standard Transmission) UNIT			
(From B94100001)			
1st Speed Wheel	GA2		
2nd Speed Wheel	GA2		
3rd Speed Wheel	GA2		
Baulking Ring	GA2		
Change Speed (Gearshift) Lever Assembly	GA4		
Crossmember, Rear Engine Mounting	GA5		
Engine Support Bracket—Rear	GA5		
Front Cover	GA1		
Layshaft Cluster (Countershaft Gears)	GA2		
Mainshaft	GA2		
Primary (Clutch) Shaft (Stemwheel)	GA2		
Rear Cover	GA1		
Reverse Idler Wheel (Gear)	GA3		
Selector Shaft (Shift Rod)	GA3		
Speedometer Driving Wheel (Gear)	GA3		
Speedometer Driving Pinion	GA5		
Top Cover	GA4		

INDEX—continued

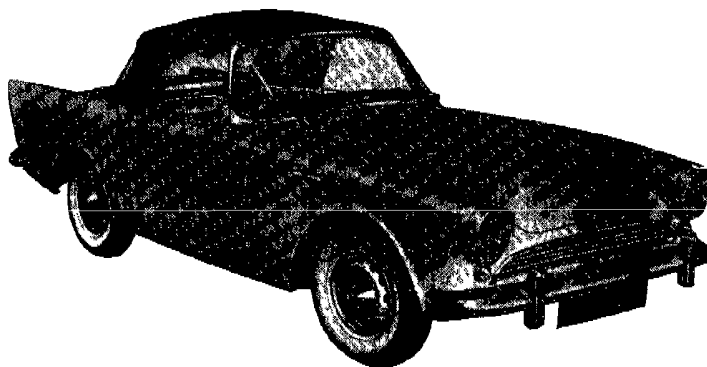
	Page No.		Page No.
GEARBOX (Automatic Transmission) UNIT			
Brake Bands	H3	Differential Units	N1 - N4
Converter	H1	Driver Coupling (Companion Flange) ...	N4
Converter Housing	H1	Hubs, c/w Bolts	N5
Engine Mounting	H7	Road Wheels	N6
Extension Housing	H4	SUSPENSION—REAR	S1 - S3
Front Clutch	H2	REPLACEMENT SERVICE UNITS	ZW
Front Pump	H1	STEERING AND CONTROLS—Series I and II	
Front Servo	H3	Cowls—Steering Column	R3
Gearbox Unit	H1	Cross Tube, Centre	R5
Governor	H3	Cross Tube, Outer	R4 - R5
Park Brake	H4	Handwheel	R2
Planet Carrier	H2	Relay Lever	R3
Rear Clutch	H2	Steering Unit	R1
Rear Pump	H2	Support Bracket	R4
Rear Servo	H3	STEERING AND CONTROLS—	
Speedometer Wheel	H3	From Series III onwards	
Speedometer Pinion	H5	Cowls	RA3
Sump	H5	Cross Tube, Centre	RA4
Sun Wheel and Shaft	H2	Cross Tube, Outer	RA4
Valve Block	H4 - H5	Handwheel	RA2
Gearbox (Gearshift) Control	H6 - H7	Relay Lever	RA3
Gearbox Repair Kits	H8	Steering Unit	RA1
NUMERICAL INDEX	ZZ	Support Brackets	RA2
OVERDRIVE UNIT			
Adaptor Plate	J4	SUSPENSION—FRONT—Series I, II and III	
Annulus, c/w Free Wheel Outer Race ...	J3	Axle Carrier	M2
Balance Pipe	J4	Bump Rubber—Lower	M3
Bearing Housing	J3	Coil Spring	M1
Clutch Cone, c/w Linings	J3	Crossmember	M1
Filter	J2	Hubs	M3
Intermediate Case, c/w Studs	J3	Lower Links	M3
Main Casing Assembly	J1	Upper Links	M1
Operating Piston	J1	Rebound Rubber—Upper	M1
Operating Valve	J1	Stabilizer Bar	M4
Pump Body	J1	Swivel Bearing—Top	M2
Planet Carrier	J3	Steering Arms	M4
Rear Cover, c/w Bushes	J4	Shock Absorber	M4
Relief Valve Body Assembly	J2	Top Bracket	M1
Solenoid	J3	Trunion	M2
Sun Wheel	J3	SUSPENSION—FRONT—From Series IV	
Speedometer Driving Gear	J4	Axle Carrier	MA2
Speedometer Pinion	J4	Bump Rubber—Lower	MA2
PARTS AND SERVICE PUBLICATIONS ...	ZX	Coil Spring	MA1
PETROL (Fuel) PUMP	B1	Crossmember	MA1
PETROL (Fuel) SYSTEM—Series I and II ...	U1 - U2	Hubs	MA3
PETROL (Fuel) SYSTEM—From Series III		Lower Links	MA2
onwards	UA1 - UA2	Upper Links	MA1
PROPELLOR SHAFT	P1	Rebound Rubber—Upper	MA1
RADIATOR—Series I and II	T1 - T2	Stabilizer Bar	MA3
RADIATOR—From Series III onwards ...	TA1	Swivel Bearing—Top	MA1 - MA2
REAR AXLE AND ROAD WHEELS		Swivel Bearing—Lower	MA2
Axle Casing	N1	Steering Arms	MA3
Axle Shaft	N4	Shock Absorber	MA3
Crown Wheel (Ring Gear) and Bevel Pinion	N3	Top Bracket	MA1
		SPECIAL ACCESSORIES	ZU
		STANDARD PARTS	ZY
		TOOLS	ZV

FOREWORD

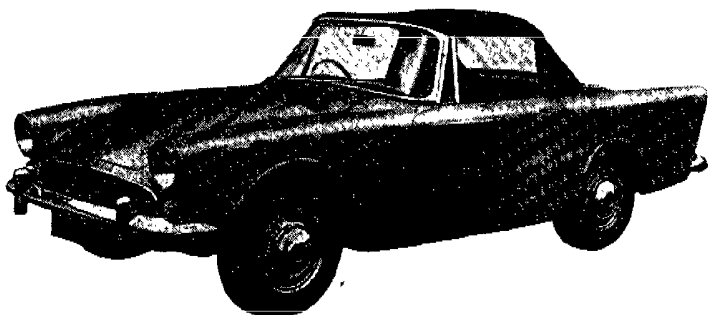
This publication contains details of Replacement Parts for the Sunbeam Alpine.

Purchasers are requested to make themselves fully acquainted with the recommended method of ordering parts, and other information contained in the following introductory pages.

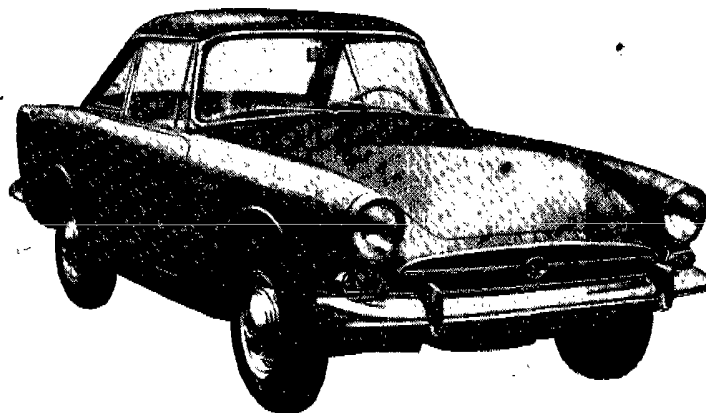
All Sales are made subject to the Company's "Conditions of Sale" current at the time of delivery.



SERIES I and II



SERIES III STANDARD



SERIES IV "G.T."

ALWAYS QUOTE CHASSIS NUMBER AND SUFFIX LETTERS

The chassis serial number will be found stamped on the chassis identification plate which is fixed to the Bonnet (Hood) Lock Platform.

<input type="radio"/>	WHEN ORDERING PARTS PLEASE QUOTE
CHASSIS N ^o	X
& ENGINE N ^o	
COLOUR	
CODE	<input type="radio"/>

In the case of factory reconditioned Engine (Motor) Units a plate similar to that illustrated below will be found on the N/S (L.H.) of the Cylinder Block. The Assembly Part Number must always be quoted in addition to the chassis number when ordering replacement parts.

ROOTES GROUP PARTS DIVISION.	
REPLACEMENT ENGINE.	
ASSEMBLY PART N ^o	<input type="text"/>
ENGINE N ^o	<input type="text"/>
REFERENCE N ^o	<input type="text"/>
CYLINDER OVERSIZE	<input type="text"/>
CRANK UNDERSIZE	<input type="text"/>
	WHEN REPLACEMENT PARTS ARE ORDERED THIS ASSEMBLY PART N ^o MUST BE QUOTED IN ADDITION TO THE CHASSIS NUMBER

Rootes Motors Ltd. have taken care in compiling this list, but they cannot accept responsibility for inaccuracies which may have occurred.

A complete list of Parts Stockists in Great Britain and N. Ireland can be obtained from Rootes Motors Ltd.

INTERPRETATION OF THE PARTS LIST

Attention is drawn to the layout of this list, whereby it is possible to ascertain the exact composition of Assemblies and Sub-Assemblies.

As an example, if it is required to order the Connecting Rod, Bush, Bolt, Nut and Big End Bearing for the Engine (Motor), reference to Page A4 of the Parts List will show the items as follows:—

Plate Ref.	Part No.	DESCRIPTION	No. per Veh.	REMARKS
B24	1206880	CONNECTING ROD, less bearing	4	
B25	1206882	Bush—Small end	4	
B26	1206884	Bolt, $\frac{11}{16}$ " UNF. (special)	8	} Big end
B27	9034026	Nut, $\frac{11}{16}$ " UNF. (Nyloc)	8	
B28	5105726	BIG END BEARING SET (Standard)	1	

The reference numbers in the left-hand column headed "Plate Ref." will enable the items to be located on the illustration preceding the Engine Section.

The Connecting Rod Assembly (less Big End Bearing), Part Number 1206880, is a Sub-Assembly and it will be seen that the descriptions of the next three items comprised in the sub-assembly are "inset" to the right.

This indicates that the Bush, Bolt and Nut are comprised in the sub-assembly and will be supplied automatically when 1206880 is ordered. The Bush (1206882), Bolt (1206884) and Nut (9034026) may of course be ordered as individual parts also, if required.

It will be noted that the next description, "Big End Bearing" is not inset to the right and this indicates that the Big End Bearings are not included in the Sub-assembly 1206880 and must be ordered separately under Part Number 5105726 or the appropriate undersize part number to requirements.

This "inset" method of indicating the parts included in Assemblies or Sub-Assemblies has been applied throughout the Parts List and it is pointed out that such an Assembly only includes those items which are "inset" below it.

Before placing orders for parts, reference should be made to the "General Instructions for Ordering Replacement Parts" included in the following pages.

It should be understood that the quantity quoted in the No. per Veh. column in the Parts List, relates only to the number fitted to each vehicle and NOT to the quantity, *i.e.*, Tens, Dozens, etc., which these may be sold in.

ABBREVIATIONS

A/R	— As required.	mm.	— Millimetre.
Assy.	— Assembly.	N/S	— Near Side—Left Hand.
B.A.	— British Association Thread.	O/D	— Outside Diameter.
Bif.	— Bifurcated.	O/S	— Offside—Right Hand.
Bdg. Hd.	— Binding Head.	o/s	— Oversize.
Brkt.	— Bracket.	O.H.	— Oval Head.
B.S.F.	— British Standard Fine Thread.	P.H.	— Pan Head.
B.S.P.	— British Standard Pipe Thread.	Pr.	— Pair.
B.S.W.	— British Standard Whitworth Thread.	R.H.	— Right Hand.
B.U.	— Built Up.	R.H.D.	— Right-Hand Drive.
c/w	— Complete with.	Rd. Hd.	— Round Head.
Ch. Hd.	— Cheese Head.	Rsd. Hd.	— Raised Head.
C.P.	— Chromium Plate.	S.W.G.	— Standard Wire Gauge.
C. Pt.	— Cone Point.	S. Hd.	— Snap Head.
Csk.	— Countersunk.	Std.	— Standard.
Cyl.	— Cylinder.	T.P.I.	— Threads per inch.
Dia.	— Diameter.	U.N.C.	— Unified Coarse Thread.
D.C.	— Double Coil or Double Contact.	U.N.F.	— Unified Fine Thread.
F.H.	— Fillister Head.	U.S.	— Undersize
I.D.	— Inside Diameter.	W.W.	— Wire Wheels.
L.H.	— Left-Hand.	Whit.	— Whitworth Thread.
L.H.D.	— Left-Hand Drive.	"X"	— Cross.
M-E.	— Micro Element.		

FOR THE ATTENTION OF ALL DEALERS

Notes on Maintenance of Parts List

1. AMENDMENTS

Amendment Sheets will be issued in respect of this Parts List each Calendar month, if necessary, and should be filed in the Parts List ring binder—in front of the main publication.

Each monthly Amendment will be cumulative in regard to this particular Parts List and new issues will supersede previous Amendments—this method being similar to that already in use in respect of Master Price List Supplements.

To obviate the necessity of recording Parts List Amendments on the page affected, a supply of small gummed labels has been made available for cross reference purposes.

This label reads "REFER TO AMENDMENT" and should be affixed to each Parts List Page affected by an Amendment, so that when using the List attention is drawn to the necessity of referring to the Amendment Sheets already in front of the Main Publication.

A space has also been provided at the foot of each printed Parts List page to enable users to record minor amendments or remarks if required.

2. ISSUE OF REPRINTED PAGES

In addition to the Amendment Sheets (issued each Calendar month, if required) certain Pages of the Parts List itself may be reprinted from time to time. These new pages will be distributed at intervals of three months.

For example, if a major modification or addition is notified by Amendment Sheet in, say January, and the next issue of Reprinted Parts List Pages is not due to be distributed until March, the details of the modification will appear in the Amendments issued for January and February only. The March distribution would include either reprinted Parts List Pages and/or additional Pages so as to incorporate the details in the main publication—thus making it unnecessary to retain the same details in the cumulative Amendment Sheets.

3. FILING OF REPRINTED AND ADDITIONAL PAGES

The importance of filing "reprinted" pages, and additional pages in the correct position (and in the correct Parts List) cannot be over-emphasized, and the following guidance is given:—

(a) Colour Identification

Each Page is overprinted with vertical coloured lines in the right hand margin and all subsequent re-issued or additional pages for this publication will be overprinted with vertical lines of the same colour.

(b) Publication Number

It will be noted that the Part Number of the complete Publication is printed at the top of each page. This same number will be printed on all re-issued or additional pages, as a precaution against incorrect filing.

(c) Sectional Index

Each Section is allocated a letter, and all sections are filed in strict Alphabetical Sequence. Page numbering within each Section is based on the Section letter—thus the first Section ENGINE (Motor) UNIT is allocated the letter "A" and page numbering for that Section commences at Page A1.

(d) Illustration Pages

These precede the Section to which they apply, and in addition to the coloured identification lines and the Publication number, the Section to which each Illustration is applicable is clearly indicated at the foot of each page (Example: PLATE "A"—SECTION "A").

(e) Re-issued Pages

As and when it becomes necessary to re-print individual pages these will be clearly marked "2nd ISSUE" and, of course, must be filed in place of the original page which should then be destroyed. Similarly, a page marked "3rd ISSUE" must take the place of the same Page Number marked "2nd ISSUE", and so on.

GENERAL INSTRUCTIONS FOR ORDERING REPLACEMENT PARTS

To avoid delay through inaccurate interpretation of orders, it is of great importance that the information detailed in the following paragraphs be quoted.

CAR TYPE

- (a) *Model.*
- (b) *Chassis Number.*
- (c) *Engine (Motor) Number.* Particularly important if the car has been fitted with a Factory Reconditioned Unit.
- (d) *The Body Style.* Required when Body Replacements are being ordered.

PARTS REQUIRED

- (a) *Part Number and Description.* Obtained by reference to the Parts List.
- (b) *Quantity.* Ordering in "sets" is misleading. A specific statement as to the exact quantity of each part should be given.
- (c) *Offside or Nearside (Right-Hand or Left-Hand), Front or Rear.* In view of the difference of opinion which appears to exist as to which way the car is faced when describing for example, a Wing (Fender) as right or left, customers are requested to utilise the expressions "offside" or "nearside" (abbreviated as O/S or N/S) the offside being the Driver's side (right-hand drive car). These instructions apply particularly to such items as Wings (Fenders) Door Handles, Steering Arms, etc.
- (d) *Right-Hand Drive and Left-Hand Drive.* All orders will be executed as R.H.D. except when specifically marked Left-Hand Drive. The abbreviation "L.H.D." is sufficient.

PATTERNS

If doubt exists as to the name or part number, a dimensioned sketch will assist in the interpretation of the order, alternatively the old part should be sent as a pattern. When supplied as patterns, parts should be labelled indicating the address of the

sender, together with any reference such as Order Number, etc. Old parts sent as patterns will not be returned unless instructions to that effect accompany the order. Such parts will be scrapped after retention for a period of one week.

FIRE

Although every precaution is taken against fire, we do not accept liability for any damage which may be caused by fire to any vehicle or part thereof entrusted to us for any purpose whatsoever.

PRICES

Current retail prices are made available to Distributors (Overseas) or Parts Stockists (Great Britain) by means of the Master Price List and its Supplements, which are issued at regular intervals.

All prices quoted in the Master Price List are subject to alteration without notice, and are for delivery at works. Postage, Carriage, Packing and Transit Insurance may be charged extra.

SPECIAL NOTES FOR OWNERS

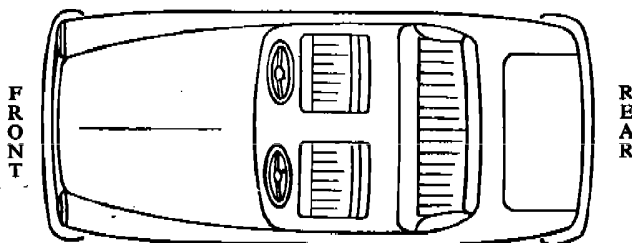
It is in the owner's interest that all orders for replacement parts are placed with the nearest Distributor (Overseas) or Parts Stockists (Great Britain) in preference to ordering direct from the Company. This will not only obviate delays in transit and carriage charges, but also eliminate delays which are inevitable when the Company receives a large volume of individual orders.

Distributors (Overseas) and Parts Stockists (Great Britain) are under contractual obligation to maintain a comprehensive range of Parts for the convenience of Traders and Owners in their respective territories. The primary function of Rootes Motors Ltd. is to meet the bulk demand for Replacement Parts made by Distributors (Overseas) and Parts Stockists (Great Britain).

SPECIAL NOTES FOR DISTRIBUTORS AND PARTS STOCKISTS

Special instructions are issued to Home Market Main Parts Stockists and Overseas Distributors from time to time, and these should always be strictly observed.

RIGHT-HAND SIDE (R.H.) or OFFSIDE (O/S)



LEFT-HAND SIDE (L.H.) or NEARSIDE (N/S)
(Right-hand drive or Left-hand drive vehicles)

A L'ATTENTION DE TOUS LES AGENTS

Notes Concernant la Mise a Jour des Nomenclatures

1. MODIFICATIONS

Des Feuilles de Modifications seront publiées en respect de cette Nomenclature tous les mois, si nécessaire, et devraient être placées dans la reliure à feuillets mobiles de la Nomenclature—en devant de la publication principale.

Chaque Modification mensuelle sera cumulative en ce qui concerne cette Nomenclature particulière et les nouvelles éditions annuleront les Modifications antérieures—cette méthode étant similaire à celle déjà employée pour les Suppléments de Liste-maître de Prix.

Pour éliminer la nécessité d'enregistrer les Modifications de Nomenclature sur la page affectée, une quantité des petites étiquettes gommées a été fournie pour les besoins de référence.

Cette étiquette est marquée "REFER TO AMENDMENT" (se reporter aux modifications) et devrait être collée sur chaque Page de Nomenclature affectée par une Modification de sorte que lors de l'emploi de la Nomenclature, l'attention sera attirée sur la nécessité de se reporter aux Feuilles de Modifications déjà en devant de la publication principale.

Un espace en blanc a été laissé au bas de chaque page imprimée de Nomenclature pour permettre à l'utilisateur de noter des modifications mineures ou des remarques si nécessaire.

2. EDITION DES PAGES RE-IMPRIMEES

En plus des Feuilles de Modifications (publiées tous les mois si nécessaire) certaines Pages de la Nomenclature proprement dite pourront être ré-imprimées de temps à autre. Ces nouvelles pages seront distribuées à intervalles de trois mois.

Si par exemple, une modification importante ou addition a été notifiée par Feuille de Modification en Janvier, et l'édition suivante de Pages Ré-imprimées de Nomenclature ne doit être distribuée qu'en Mars, les détails de cette modification seront indiqués sur les Modifications de Janvier et Février seulement. La distribution de Mars comprendra soit des Pages ré-imprimées de Nomenclature et/ou des Pages supplémentaire de manière à incorporer les détails dans la publication principale—rendant ainsi inutile de répéter les mêmes détails dans les Feuilles de Modifications cumulatives.

3. CLASSIFICATION DE PAGES RE-IMPRIMEES OU SUPPLEMENTAIRES

Nous ne pouvons trop insister sur l'importance de la classification des pages ré-imprimées et des pages supplémentaires à la position correcte (et dans la bonne Nomenclature), et nous donnons à titre de guide les indications suivantes:

(a) Couleur d'identification

Chaque page est surimprimée avec des lignes verticales de couleur dans la marge de droite, et toutes pages qui par la suite seront ré-imprimées ou pages supplémentaires pour cette publication seront surimprimées avec des lignes verticales de la même couleur.

(b) Numéro de Publication

On notera que le Numéro de référence de la Publication complète est imprimé au sommet de chaque page. Le même Numéro sera imprimé sur toutes pages ré-imprimées et supplémentaires, à titre de précaution contre classification incorrecte.

(c) Index de Sections

Une lettre est allouée pour chaque Section, et toutes les sections sont strictement classées en ordre alphabétique. Le numérotage des pages de chaque Section est basé sur la lettre de la Section—ainsi la première Section, ENSEMBLE MOTEUR est allouée la lettre "A" et le numérotage des pages pour cette Section commence à Page A1.

(d) Pages d'illustrations

Celles-ci précèdent la Section à laquelle elle se rapportent, et en addition aux lignes d'identification de couleur et le Numéro de Publication, la Section à laquelle chaque Illustration se rapporte est clairement indiquée au bas de chaque Page (Exemple:—PLANCHE "A"—SECTION "A").

(e) Pages ré-imprimées

Lorsqu'il devient nécessaire de ré-imprimer des pages individuelles, celles-ci seront clairement marquées "2nd ISSUE" (2ème EDITION) et doivent naturellement être classées à la place de la page d'origine qui doit alors être détruite. De la même manière, une page marquée "3rd ISSUE" (3ème EDITION) doit prendre la place de la page même No. marquée "2nd ISSUE" (2ème EDITION), etc.

INSTRUCTIONS GENERALES POUR LES COMMANDES DE PIÈCES DETACHEES

Pour éviter les retards dus à une interprétation inexacte des commandes, il importe que nous soient fournis les renseignements détaillés dans les paragraphes suivants:

TYPE DE VOITURE

- (a) *Modèle.*
- (b) *Numéro du châssis.*
- (c) *Numéro du Moteur.* Particulièrement important si la voiture a été équipée d'un moteur repait par l'usine.
- (d) *Type de carrosserie.* Nécessaire pour les commandes de pièces de rechange pour la carrosserie.

PIECES DEMANDEES

- (a) *Numéro des pièces et Description.* On les trouvera sur le Catalogue des Pièces de Rechange.
- (b) *Quantité.* Commander "par séries" peut induire en erreur. Bien spécifier la quantité de chaque pièce demandée.
- (c) *"Offside" et "Nearside"—Conduite à Droite ou Conduite à Gauche—Avant ou Arrière.*

Il semble qu'il existe une divergence d'opinion quant à la façon de regarder la voiture pour sa description, par exemple pour savoir si une aile est "droite" ou "gauche".

MM. Les Clients sont priés d'employer les expressions "Offside" et "Nearside" (O/S et N/S, en abrégé), "offside" étant le côté droit la voiture pour le conducteur assis regardant l'avant de la voiture. Ces instructions sont particulièrement importantes pour la commandes d'articles tels que Ailes, Poignées de portières, Arbres de direction, etc.

- (d) *Conduite à Droite ou Conduite à Gauche.* Les commandes seront exécutées pour voiture à direction à Droite sauf spécification contraire. L'abréviation L.H.D. est suffisante.

CROQUIS

S'il y a un doute quant au nom ou au numéro de la pièce, un croquis coté aidera à interpréter la commande. On peut aussi envoyer la pièce usagée comme modèle. Quand on envoie des pièces comme modèles, elles doivent porter une étiquette indiquant l'adresse de l'expéditeur ainsi que toute référence utile comme le numéro de la commande etc.

Les pièces usagées envoyées comme modèles ne seront pas retournées sauf instructions contraires. Ces pièces seront mises au rebut après un délai d'une semaine.

PRIX

Les prix de détail courants sont portés à la connaissance des Distributeurs et Revendeurs par la Liste Principale des Prix et ses Suppléments, publiés à intervalles réguliers.

Tous les prix indiqués sur la Liste Principale des Prix sont sujets à modification sans préavis et s'entendent pour la livraison à l'Usine. Les frais de Poste, Transport, Emballage et Assurance seront facturés en sus.

INCENDIE

Bien que toutes précautions soient prises contre les risques d'incendie, nous n'acceptons aucune responsabilité pour les dommages causés par l'incendie à une voiture ou une pièce confiée à nos soins pour quelque motif que ce soit.

NOTE SPECIALE POUR LES PROPRIETAIRES

Il est dans l'intérêt du propriétaire d'adresser ses commandes de pièces de rechange au Distributeur ou Revendeur le plus proche, plutôt que de les adresser directement à l'Usine. On évitera ainsi non seulement les retards dus au transport et les frais d'expédition, mais aussi les retards inévitables quand l'Usine reçoit un nombre considérable de commandes individuelles.

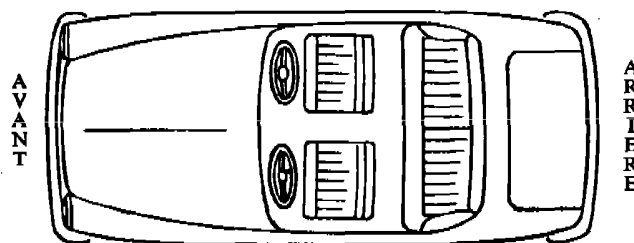
Les Distributeurs et Revendeurs sont tenus de maintenir un assortiment complet de pièces de rechange pour satisfaire les demandes de propriétaires dans leur localité.

La tâche essentielle de la Section Pièces de Rechange à Rootes Motors Ltd. est de satisfaire toutes les demandes de pièces faites par les Distributeurs.

NOTE SPECIALE POUR LES DISTRIBUTEURS ET REVENDEURS

Des instructions spéciales sont communiquées de temps à autre aux stockistes de pièces de rechange principales dans le marché intérieur et aux distributeurs, d'outre-mer, lesquelles doivent toujours être strictement observées.

CÔTÉ DROIT (en anglais: "OFFSIDE (O/S)")



CÔTÉ GAUCHE (en anglais: "NEAR SIDE N/S")
(Voiture avec direction à droite ou à gauche)

AN ALLE VERKÄUFER

Bemerkungen über das ordnen der ersatzteillisten

1. ERGÄNZUNGEN

Ergänzungsblätter zu dieser Ersatzteilliste werden, wenn nötig, in jedem Kalendermonat herausgebracht; diese sollten in der Ersatzteillistenakte—vor dem Haupttext—abgelegt werden.

Bei jeder monatlichen Ergänzung handelt es sich um eine Beifügung zu dieser bestimmten Ersatzteilliste, und neue Ausgaben überholen vorhergehende Ergänzungen—es handelt sich hier um ähnliches Vorgehen wie bei den Nachträgen zur Hauptpreisliste.

Um die Ergänzungen zur Ersatzteilliste auf der betroffenen Seite offensichtlicher zu gestalten, stehen Ihnen kleine gummierte Schildchen zur Verfügung.

Dieses Schildchen hat den Aufdruck "Siehe Ergänzungen" (REFER TO AMENDMENT); es sollte auf jeder von den Ergänzungen betroffenen Seite angebracht werden, damit man bei Benutzung der Ersatzteilliste darauf aufmerksam gemacht wird, dass sich vor dem Haupttext eine Ergänzung befindet.

Ausserdem ist am Ende jeder gedruckten Ersatzteilliste Raum vorhanden, um die Eintragung geringfügiger Änderungen und Bemerkungen zu ermöglichen.

2. AUSGABE NACHGEDRUCKTER SEITEN

Zusätzlich zu diesen Ergänzungsblättern, die, wenn nötig, jeden Monat herauskommen, werden bestimmte Seiten der Ersatzteilliste von Zeit zu Zeit nachgedruckt. Diese neuen Seiten werden in Abständen von 3 Monaten verbreitet.

Wenn z.B. eine grössere Änderung oder Beifügung im, sagen wir, Januar durch Ergänzungsblatt angekündigt wird, und die nächste Ausgabe von nachgedruckten Ersatzteillistenseiten erst im März fällig ist, erscheinen die Einzelheiten der Änderung nur im Januar und Februar. Die Märzausgabe umschliesst entweder nachgedruckte Ersatzteillistenseiten und/oder zusätzliche Seiten, um die Einzelheiten in den Haupttext einzukörpern—wonach sich die Aufbewahrung der Ergänzungsblätter mit den gleichen Einzelheiten erübrigt.

3. ABLAGE DER NACHGEDRUCKTEN UND ZUSÄTZLICHEN SEITEN

Die Wichtigkeit, "nachgedruckte" und zusätzliche Seiten an der richtigen Stelle (und bei der richtigen Ersatzteilliste) abzulegen, kann nicht stark genug unterstrichen werden—im Folgenden geben wir Ihnen einige Anhaltspunkte.

(a) Farbmarkierungen

Jede Seite ist am rechten Rand mit senkrechten farbigen Linien überdruckt, und alle folgenden nachgedruckten oder zusätzlichen Seiten für diese Veröffentlichung werden mit einem Überdruck mit senkrechten Linien in der gleichen Farbe versehen.

(b) Veröffentlichungsnummer

Sie werden feststellen, dass die Nummer jeder vollständigen Veröffentlichung oben auf jeder Seite aufgedruckt ist. Um falschem Ablegen vorzubeugen, werden alle nachgedruckten oder zusätzlichen Seiten mit derselben Nummer versehen.

(c) Abschnittsverzeichnis

Jedem Abschnitt ist ein Buchstabe zugewiesen, und alle Abschnitte werden in strenger alphabetischer Ordnung abgeheftet. Die Seiten innerhalb der einzelnen Abschnitte werden auf der Basis dieses Buchstabens numeriert—so erhält z.B. der erste Abschnitt, MOTOREINHEIT, den Buchstaben "A", und die Nummerierung der Seiten innerhalb dieses Abschnittes beginnt mit A1.

(d) Illustrierte Seiten

Diese werden vor den betreffenden Abschnitten abgeheftet; ausser den Farbmarkierungen und der Veröffentlichungsnummer ist am Fuss der Seite der Abschnitt, zu dem die Abbildung gehört, deutlich angegeben (Beispiel: ABBILDUNG "A"—ABSCHNITT "A").

(e) Nachgedruckte Seiten

Nachgedruckte Seiten werden als "2. AUSGABE" bezeichnet; sie müssen anstelle der Originale, welche vernichtet werden können, abgeheftet werden. Die Seite mit der Markierung "3. AUSGABE" wird anstelle der "2. AUSGABE" derselben Seitennummer abgeheftet usw.

ALLGEMEINE ANWEISUNGEN ZUR BESTELLUNG VON ERSATZTEILEN

Zur Vermeidung von Verzögerungen infolge unrichtiger Auslegung von Aufträgen ist es äusserst wichtig, die in den folgenden Absätzen aufgeführten Einzelheiten anzugeben.

FAHRZEUGTYP

- (a) *Modell.*
- (b) *Fahrgestellnummer.*
- (c) *Motor-Nummer.* Dies ist besonders wichtig, wenn der wagen mit einem in der Fabrik umgebauten Motor ausgestattet worden ist.
- (d) *Karosserie-Typ.* Dies ist erforderlich wenn Karosserie-Ersatzteile bestellt werden.

BENÖTIGTE ERSATZTEILE

- (a) *Nummer und Beschreibung der Ersatzteile.* Diese findet man durch Nachschlagen im Ersatzteil-Verzeichnis.
- (b) *Quantität.* Das Bestellen von "Sätzen" führt zu Missverständnissen. Bei jedem Ersatzteil ist die genaue Menge anzugeben.
- (c) *"Offside" oder "Nearside" (Rechts oder Links), Vorderseite oder Rückseite.* Angesichts der zutage getretenen Meinungsverschiedenheiten darüber, von welcher Seite her man das Fahrzeug zu betrachten hat, wenn man z.B. einen Kotflügel als den "rechten" oder "linken" bezeichnet, werden unsere Kunden gebeten, sich der Ausdrücke "offside" (abgekürzt O/S) oder "nearside" (abgekürzt N/S) zu bedienen, wobei "offside" bei rechtsgesteuerten Fahrzeugen die Seite des Fahrers ist. Diese Anweisungen beziehen sich namentlich auf solche Teile wie Kotflügel, Steuerhebel usw.
- (d) *Rechtssteuerung oder Linkssteuerung.* Sämtliche Aufträge werden für Rechtssteuerung ausgeführt werden, wenn sie nicht ausdrücklich "Left-Hand Drive" (Linkssteuerung) gekennzeichnet sind. Die Abkürzung "L.H.D." ist ausreichend.

MUSTER

Falls über die Bezeichnung oder Ersatzteilnummer Zweifel bestehen, wird eine Masstab-Skizze für das richtige Verständnis des Auftrages nützlich sein; andernfalls ist das alte Teil als Muster einzusenden. Die als Muster eingesandten Teile sind mit einem Etikett zu versehen, das die Adresse des

Absenders sowie die Auftragsnummer und ähnliche Angaben enthält. Als Muster eingesandte alte Teile werden nur dann zurückgesandt, wenn dem Auftrag eine dahingehende Weisung beigefügt wird. Andernfalls werden derartige Teile nach Ablauf einer Woche verschrottet.

PREISE

Die laufenden Einzelhandelspreise werden den Händlern und Vertriebsstellen mittels der Hauptpreisliste und der von Zeit zu Zeit herausgegebenen Nachträge dazu bekanntgegeben.

Sämtliche in der Hauptpreisliste festgesetzten Preise verstehen sich unter dem Vorbehalt jederzeitiger Abänderung ohne vorherige Ankündigung und gelten für Lieferung ab Fabrik. Porto, Frachtspesen, Verpackung und Transportversicherung werden gesondert berechnet.

BRANDSCHADEN

Obwohl alle Vorkehrungen gegen Brandschaden getroffen werden, übernehmen wir keinerlei Verantwortung für Schäden, die durch Brand eines uns gleichviel zu welchem Zweck, übergebenen Fahrzeuges oder Fahrzeugteils entstehen.

BESONDERE BEMERKUNGEN FÜR BESITZER

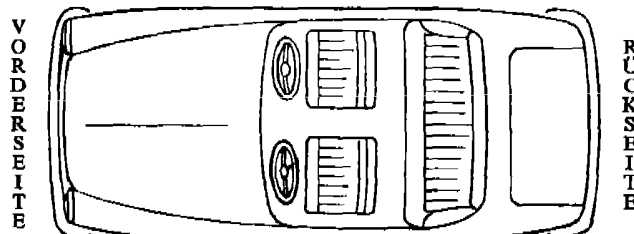
Es liegt im Interesse des Fahrzeugbesitzers, alle Ersatzteil-Bestellungen dem nächstgelegenen Vertriebsagenten oder Händler zu erteilen, und es ist dies der direkten Bestellung bei der Fabrik vorzuziehen. Hierdurch werden nicht nur Verzögerungen beim Transport und Beförderungsspesen vermieden, sondern es werden auch Verzögerungen ausgeschaltet, die unvermeidlich eintreten, wenn sich bei der Fabrik eine grosse Menge von Einzelaufträgen anhäuft.

Vertriebsagenten und -Händler sind vertraglich verpflichtet in ihren betreffenden Gebieten ein umfassendes Ersatzteil-Lager für die Bedienung von Besitzern zu unterhalten. Die Hauptaufgabe der Rootes Motors Ltd. ist die Ausführung von Massen-Ersatzteil aufträgen, die ihr von Vertriebsstellen zugehen.

BESONDERE BEMERKUNGEN FÜR VERTRIEBSSTELLEN UND HÄNDLER

Von Zeit zu Zeit werden an Lagerhalter in Grossbritannien und an ausländische Vertreter besondere Anweisungen erteilt, welche stets genau eingehalten werden müssen.

RECHTE SEITE (auf englisch: "OFFSIDE (O/S)")



LINKE SEITE (auf englisch: "NEAR SIDE (N/S)")
(Fahrzeug mit Rechtssteuerung oder Linkssteuerung)

PER TUTTI I RIVENDITORI

Appunti sul come tenere il Catalogo dei Ricambi

1. MODIFICHE

Dei Bollettini di Modifica relativi al presente catalogo verranno emessi mensilmente, se necessario. Bisogna infilarli nell'anello metallico del registratore, di fronte alla pubblicazione principale.

Ogni Bollettino Mensile delle Modifiche sarà "cumulativo", vale a dire che ogni nuova edizione soppianta quella precedente, come del resto è già prassi comune con i Supplementi del Listino Prezzi.

Per venire incontro alla necessità di registrare le Modifiche sulle pagine relative, si possono ordinare delle piccole etichette gommate utili per i riferimenti.

Tali etichette portano scritto "Fate riferimento alla modifica" e vanno incollate sulle pagine del catalogo dove una modifica è stata effettuata, richiamando quindi l'attenzione al Bollettino della modifica, che è già di fronte alla pubblicazione principale.

Si è inoltre lasciato un margine alla base di ogni pagina stampata del catalogo affinché gli utenti possano registrare le modifiche di minore entità.

2. PUBBLICAZIONE DI UNA PAGINA RISTAMPATA

In aggiunta ai bollettini delle modifiche (pubblicati ogni mese, se necessario), di tanto in tanto verranno ristampate anche delle pagine del bollettino vero e proprio. Tali nuove pagine verranno distribuite ad intervalli di tre mesi.

Per esempio, se il bollettino di Gennaio porta una modifica di maggiore entità, e la prossima distribuzione di pagine ristampate avviene in Marzo, i particolari della modifica compariranno sui bollettini di Gennaio e Febbraio solamente. La distribuzione di Marzo comprenderà le pagine ristampate o aggiunte, incorporando così la modifica di Gennaio nel testo principale, ed abolendo la necessità di mantenere le stesse informazioni nei bollettini "cumulativi".

3. REGISTRAZIONE DI PAGINE RISTAMPATE O AGGIUNTE

Non si può sottolineare abbastanza l'importanza di registrare le pagine ristampate alla posizione esatta. A tale scopo diamo le seguenti istruzioni:—

(a) Identificazione secondo il Colore

Ogni pagina porta stampate delle linee verticali colorate sul margine destro, e tutte le edizioni successive o pagine ristampate della stessa pubblicazione porteranno linee dello stesso colore.

(b) Numero della Pubblicazione

Si osservi che il numero di ordinazione della pubblicazione completa è stampato in cima ad ogni pagina. Lo stesso numero comparirà su tutte le ristampe o pagine aggiunte come misura precauzionale contro errori di registrazione.

(c) Indice delle Sezioni

Ad ogni Sezione è stata assegnata una lettera, e tutte le sezioni sono registrate in ordine alfabetico. La numerazione delle pagine di ogni sezione si basa sulla lettera dell'alfabeto della sezione stessa. Perciò la prima sezione, quella del MOTORE, alla quale è stata assegnata la lettera "A", ha le pagine numerate "A1", ecc.

(d) Tavole Illustrative

Tali pagine precedono la sezione alla quale si riferiscono, ed in aggiunta alle linee colorate d'identificazione ed al numero della pubblicazione, la sezione alla quale ciascuna tabella si riferisce è chiaramente indicata al piede di ogni pagina (Per esempio: TAVOLA "A"—SEZIONE "A").

(e) Pagine Ristampate

Qualora sia necessario ristampare delle pagine, esse porteranno ben visibile la scritta 2a. EDIZIONE ed andranno registrate al posto della pagina originale, che va ora distrutta. Allo stesso modo una pagina con la scritta 3a. EDIZIONE rimpiazzerà la pagina dell'edizione precedente (2a), e così via.

ISTRUZIONI GENERALI PER L'ORDINAZIONE DI PARTI DI RICAMBIO

Per evitare ritardi dovuti all'errata interpretazione dell'ordine, è importantissimo indicare le informazioni specificate qui sotto.

TIPO DELLA VETTURA

- (a) *Modello.*
- (b) *Numero di autotelaio.*
- (c) *Numero del motore.* Questo numero è di particolare importanza se la vettura è dotata di un gruppo revisionato in fabbrica.
- (d) *Tipo de carrozzeria.* Richiesto quando si ordinano parti di ricambio per la carrozzeria.

PARTI RICHIESTE

- (a) *Numero del pezzo e descrizione.* Ottenuti facendo riferimento al catalogo.
- (b) *Quantità.* Ordinando in serie o partite genera confusione. Bisogna invece dare il numero preciso richiesto per ogni pezzo.
- (c) *Le espressioni Destro- Sinistro- Anteriore- Posteriore-* indicate nelle denominazioni delle parti si riferiscono sempre alla direzione di marcia del veicolo.
- (d) *Guida Destra o Guida Sinistra.* Tutti gli ordini saranno trattati come se si riferissero a vetture con Guida Destra, tranne quando specificata altrimenti.

CAMPIONI

In caso di dubbi sul nome e numero del pezzo di ricambio, uno schizzo con le dimensioni aiuterà ad interpretare l'ordinazione. Oppure, si può spedire il pezzo vecchio come campione. Quando si spedisce un pezzo come campione lo si corredi di etichetta recante il nome ed indirizzo del mittente ed ogni altro riferimento possibile, quale il numero di ordinazione ecc. Non

si restituiscono i pezzi vecchi spediti come campioni se non quando l'ordine è accompagnato da istruzioni precise in proposito. Tali parti verranno ridotte a rottame dopo averle tenute in deposito per una settimana.

PREZZI

I prezzi al dettaglio correnti vengono sempre forniti ai Distributori (all'estero) ed ai Depositi dei pezzi di ricambio (Gran Bretagna) mediante il Listino Prezzi Principale ed i suoi Supplementi, che sono emessi ad intervalli regolari.

Tutti i prezzi indicati nel listino prezzi principale sono soggetti ad alterazioni e modifiche senza preavviso, e sono intesi franco fabbrica. Tutte le spese postali, di trasporto, di imballaggio ed assicurazione possono essere messe in conto separatamente.

NOTA BENE PER GLI AUTOMOBILISTI

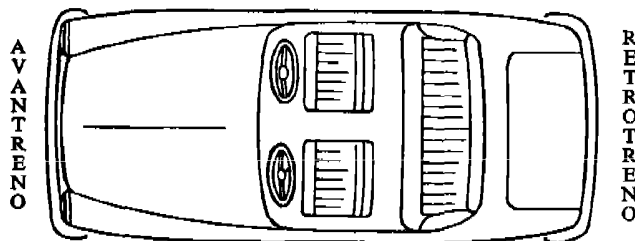
È nell'interesse dell'automobilista piazzare le ordinazioni di parti di ricambio dal Distributore più vicino, piuttosto che ordinare direttamente alla casa. Ciò diminuirà non soltanto ritardi nei trasporti e le spese di trasporto, ma eliminerà inoltre i ritardi inevitabili quando la casa deve sbrigare un gran numero di ordini piccoli.

I Distributori sono obbligati da contratto a mantenere una gamma completa di parti di ricambio a disposizione dei rivenditori e degli automobilisti nei vari territori. La funzione principale della Rootes Motors Ltd. è di soddisfare le ordinazioni all'ingrosso dei Distributori.

NOTA BENE PER I DISTRIBUTORI ED I RIVENDITORI

Istruzioni speciali vengono date di volta in volta ai distributori di pezzi di ricambio principali nel mercato nazionale ed in quello estero e tali istruzioni debbono essere sempre strettamente osservate.

LATO DESTRO (in Inglese: "OFFSIDE (O/S)")



LATO SINISTRO (in Inglese: "NEARSIDE (N/S)")

(Vettura con guida à destre una sinistra)

A LA ATENCION DE TODOS LOS CONCESIONARIOS

Notas Sobre el Mantenimiento de la Lista de Repuestos

1. ENMIENDAS

Cada mes legal del Calendario, si así conviene, se editarán Hojas de Enmiendas respecto a esta Lista de Repuestos. Estas hojas deberán guardarse en el archivador de anillos para la Lista de Repuestos—en frente de la publicación principal.

Cada Enmienda mensual será acumulativa respecto a esta Lista de Repuestos en particular y las nuevas ediciones cancelarán las Enmiendas anteriores—este método es similar al ya empleado respecto a los Suplementos de la Lista de Precios Maestra.

Para eliminar la necesidad de anotar las Enmiendas de Lista de Repuestos en la página afectada, se facilitará un suministro de etiquetas pequeñas engomadas para fines de referencia.

Esta etiqueta lleva la mención "REFER TO AMENDMENT" y debería fijarse a cada Página de Lista de Repuestos afectada por una Enmienda, de forma que, al hacer uso de la Lista, se llame la atención a la necesidad de ver las Hojas de Enmienda ya colocadas en frente de la Publicación Principal.

Se ha también previsto un espacio al pie de cada página impresa de la Lista de Repuestos para permitir a los usuarios anotar las enmiendas menores o bien observaciones, según sea requerido.

2. ENVIO DE PAGINAS REIMPRESAS

Además de las Hojas de Enmiendas (editadas cada mes del calendario, según convenga) también es posible que de vez en cuando se vuelvan a imprimir ciertas Páginas de la Lista de Repuestos misma. Estas nuevas páginas serán distribuidas a intervalos de tres meses.

Por ejemplo, si una modificación de importancia o adición es comunicada por medio de Hoja de Enmienda, digamos, en Enero, y la próxima edición de Páginas de Lista de Repuestos Reimpresas no debe ser distribuida sino hasta Marzo, los detalles de la modificación sólo aparecerán en las Enmiendas editados en Enero y Febrero. La distribución de Marzo incluirá o Páginas Reimpresas de Lista de Repuestos y/o Páginas adicionales para incorporar los detalles en la publicación principal—haciendo por tanto innecesario retener los mismos detalles en las Hojas de Enmiendas acumulativas.

3. ARCHIVO DE PAGINAS REIMPRESA Y ADICIONALES

Debemos subrayar la gran importancia que tiene el que se archiven las páginas "reimpresas" y las páginas adicionales en su correcto lugar (y en la correcta Lista de Repuestos), y para su mejor orientación sirvanse tener en cuenta lo siguiente:

(a) Identificación por Colores

Cada Página lleva una sobreimpresión de líneas de color verticales en el margen de la derecha y todas las subsiguientes páginas reimpresas o adicionales para esta publicación llevarán la sobreimpresión de líneas verticales del mismo color.

(b) Número de Publicación

Se observará que el Número de Referencia de la completa Publicación se halla impreso en la parte superior de cada página. Este mismo número se hallará impreso en todas las páginas reimpresas o adicionales, como precaución para evitar que se archiven incorrectamente.

(c) Índice de Secciones

Cada Sección está provista de una letra, y todas las secciones se archivan en estricto Orden Alfabético. La numeración de las páginas de cada Sección se basa en la letra de la Sección—asi pues, la primera Sección MOTOR tiene asignada la letra "A" y la numeración de páginas para tal Sección empieza en Página A1.

(d) Páginas con Ilustraciones

Estas preceden la a Sección a la que son de aplicación, y además de las líneas de identificación en color y del número de Publicación, la Sección a la que cada Ilustración es aplicable está claramente indicada al pie de cada Página (Ejemplo: "GRABADO "A" — SECCION "A").

(e) Páginas Reimpresas

Siempre y cuando sea necesario reimprimir páginas individuales éstas estarán claramente marcadas "2r Edición" y, desde luego, las mismas deben ser archivadas en lugar de la página original, la cual deberá destruirse. En forma similar, cualquier página marcada "3r Edición" debe archivarse colocandola en lugar del mismo Número de Página llevando la marca "2r Edición", y así sucesivamente.

INSTRUCCIONES GENERALES PARA EL PEDIDO DE PIEZAS DE REPUESTO

A fin de evitar retrasos debido a interpretación errónea de los pedidos, es de suma importancia que se nos suministren los detalles especificados en los párrafos siguientes:

- (a) *Modelo.*
- (b) *Número del chasis.*
- (c) *Número del Motor.* Es de suma importancia, si el vehículo ha sido equipado con un motor reacondicionado por la Fábrica.
- (d) *Estilo de la carrocería.* Indispensable al solicitar repuestos de carrocería.

PIEZAS NECESARIAS

- (a) *Número de la Pieza y Descripción.* Se obtendrá mediante referencia al Catálogo de Piezas de Repuesto.
- (b) *Cantidad.* El pedir por "juegos" da lugar a confusiones. Se deberá indicar específicamente el número exacto de piezas que se desea.
- (c) *"Offside" ó "Nearside": Delantera ó Trasera del Vehículo.* En vista de la divergencia de opinión que parece existir sobre la forma en que se ha de hacer frente al vehículo para designar, por ejemplo, un guardabarro "derecho" ó "izquierdo", se considerará lado derecho de un vehículo el lado derecho del conductor cuando éste está sentado en su asiento, mirando hacia la parte delantera del vehículo; de la misma forma, el lado izquierdo del vehículo será el izquierdo del conductor, cuando éste está sentado en su asiento mirando hacia la parte delantera del vehículo.
Estas instrucciones habrán de seguirse especialmente en el caso de repuestos tales como Guardabarras, Brazos del Pivote de la Dirección, etc.
- (d) *Volante a la derecha o a la izquierda.* Todos los pedidos serán ejecutados como para vehículos con volante a la derecha, a menos que el pedido esté marcado específicamente "volante a la izquierda".

PATRONES

Si existiese alguna duda sobre el número o nombre de la pieza, se deberá remitir un croquis con las dimensiones necesarias, que nos servirá para interpretar el pedido. También puede mandárenos la pieza antigua que podrá servirnos como muestra. Cuando tales piezas sean remitidas como muestras deberán llevar una etiqueta indicando la

dirección del remitente, así como cualquier otra indicación, tal como el número del pedido, etc. Las piezas viejas que nos han sido remitidas a título de muestra no serán devueltas, a menos que el pedido vaya acompañado de instrucciones a este efecto. Después de haber sido guardadas durante un período de una semana tales piezas serán desechadas.

PRECIOS

Los precios de detalle vigentes serán puestos a disposición de los Distribuidores y Agentes por medio de la Lista Principal de Precios y los Suplementos que publicamos a intervalos regulares.

Todos los precios indicados en la Lista Principal, están sujetos a modificaciones sin previo aviso y se entenderán para entrega de las mercancías en fábrica. Los gastos de Franqueo, Flete, Embalaje y Seguro serán facturados como recargo adicional.

INCENDIOS

Si bien tomamos todas las precauciones necesarias contra incendios, no aceptamos responsabilidad por daños ocasionados por el fuego a cualquier vehículo o parte del mismo que nos haya sido confiado para cualquier finalidad.

NOTA ESPECIAL A LOS PROPIETARIOS DE VEHICULOS

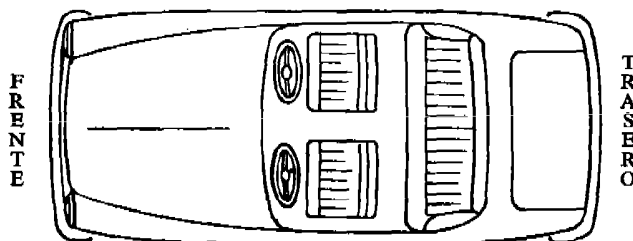
Es de interés para todos los propietarios en general el pedir los repuestos al Distribuidor ó Agente más cercano, en vez de pedirlos directamente a la fábrica. De este modo se evitarán, no solamente los retrasos y gastos de transporte, sino que a mismo tiempo se evitarán los retrasos inevitables cuando la Fábrica recibe un número considerable de pedidos individuales.

Los Distribuidores y Agentes están bajo obligación contractual de mantener un extenso surtido de Piezas de Repuesto, para mayor comodidad de los Propietarios de Vehículos en los diferentes territorios. La misión principal del Rootes Motors Ltd. es hacer frente a los pedidos en cantidad, para Piezas de Repuesto, que hagan los Distribuidores.

NOTA ESPECIAL A LOS DISTRIBUIDORES Y AGENTES

De vez en cuando se envían a los almacenistas de piezas más importantes del mercado nacional y a los distribuidores del extranjero instrucciones especiales que deben observarse siempre estrictamente.

LADO DERECHO (en inglés: "OFFSIDE (O/S)")



LADO IZQUIERDO (en inglés: "NEAR SIDE (N/S)")
(Vehículo con Volante a la Derecha o Izquierda)

Publication No. 6600992

SECTION A

ENGINE (Motor) UNIT—Series I, II, III and IV and ENGINE (Motor) AUXILIARIES—Series I, II, III and IV

2nd Issue Lit. 023

ENGINE (Motor) AND AUXILIARIES

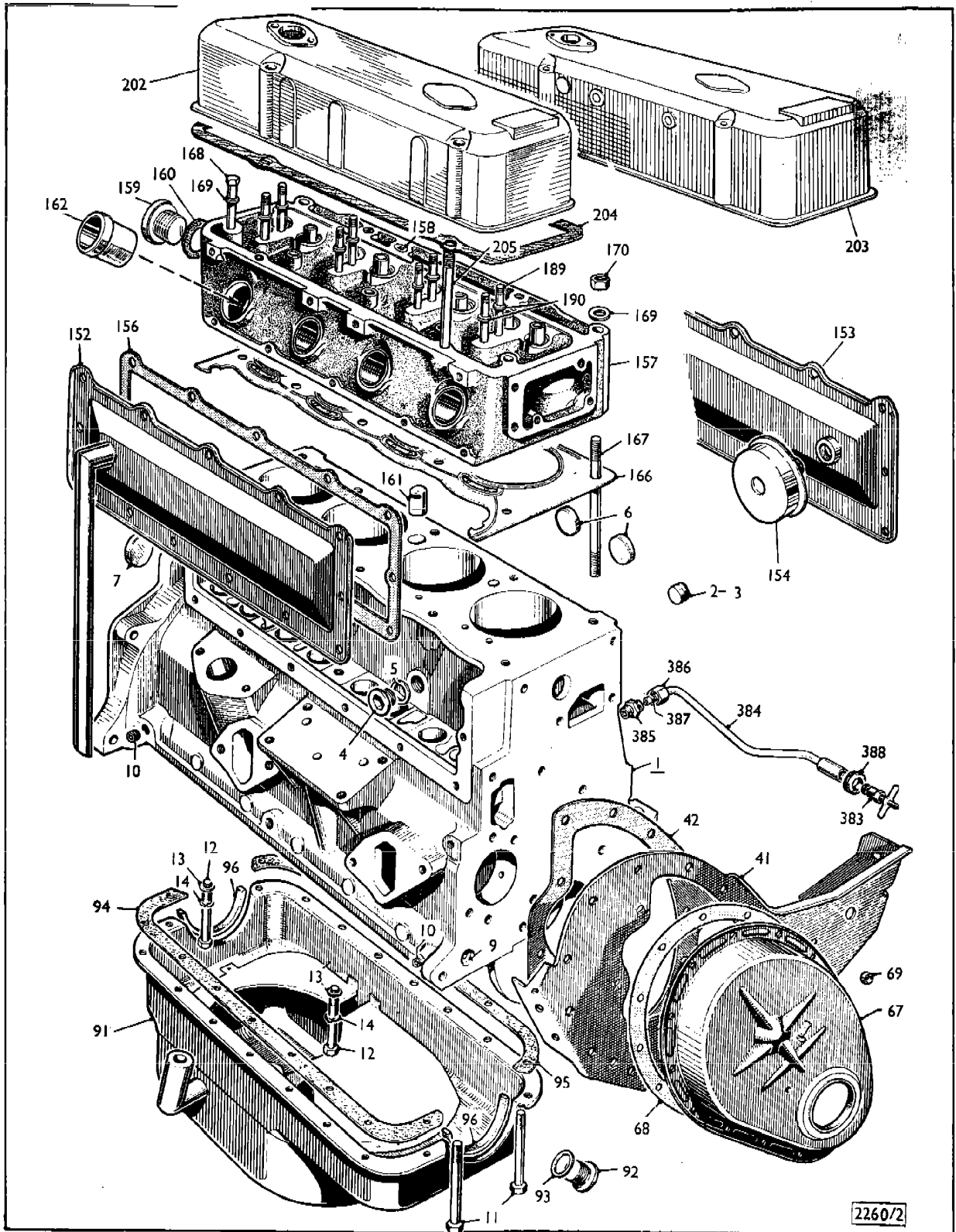


PLATE A — SECTION A

Lit. 023

ENGINE (Motor) AND AUXILIARIES

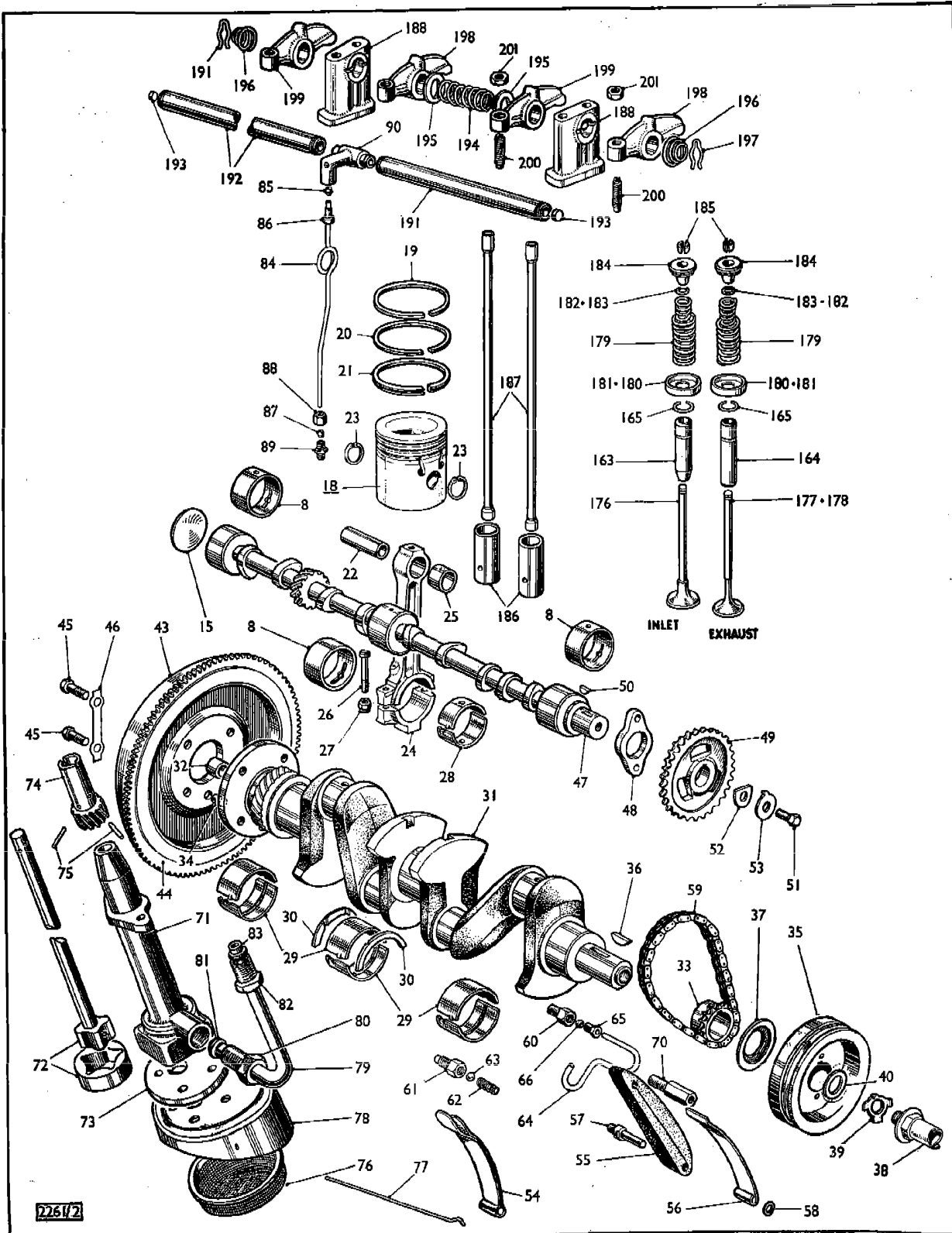
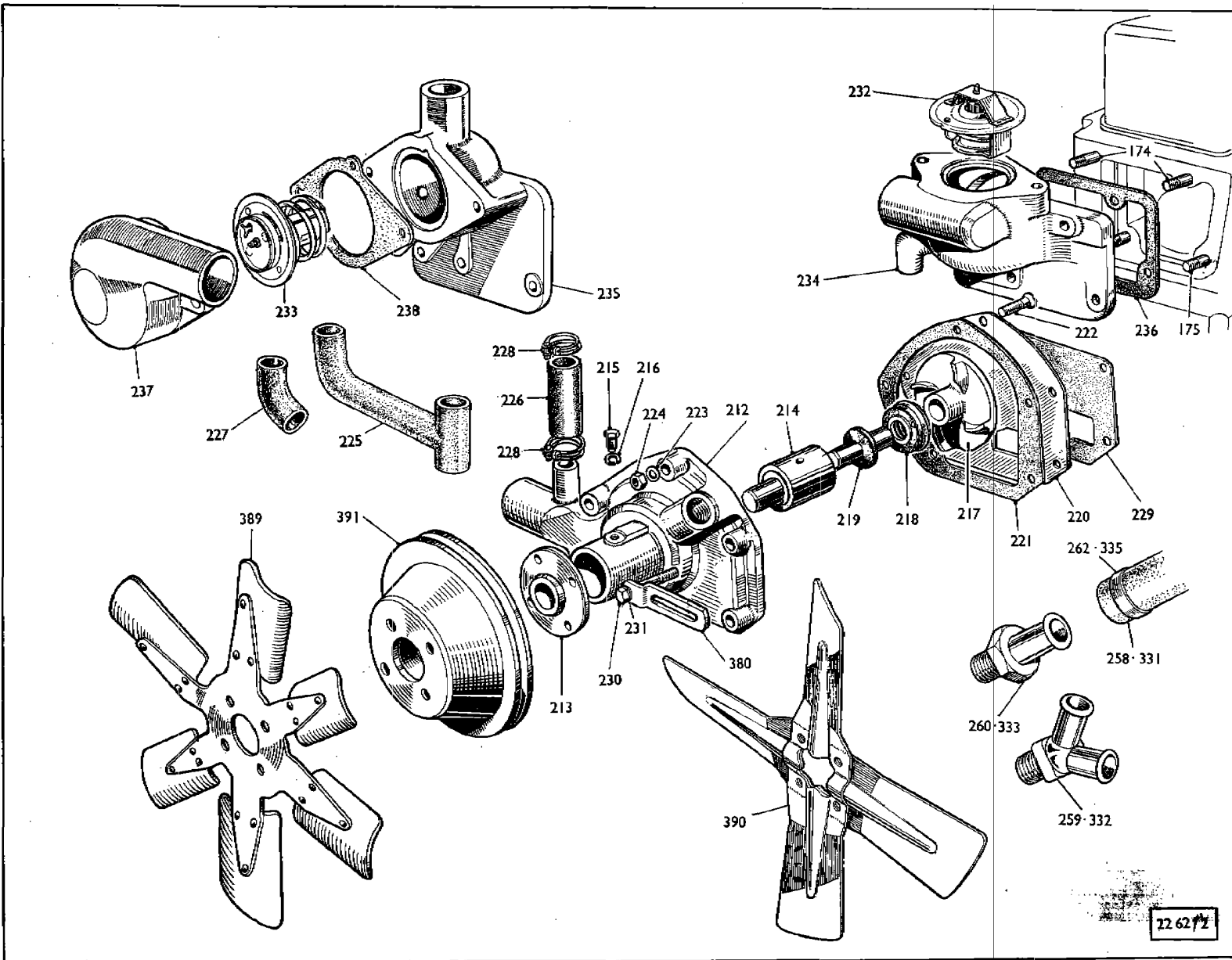


PLATE B — SECTION A

Lit. 023

ENGINE (Motor) AND AUXILIARIES

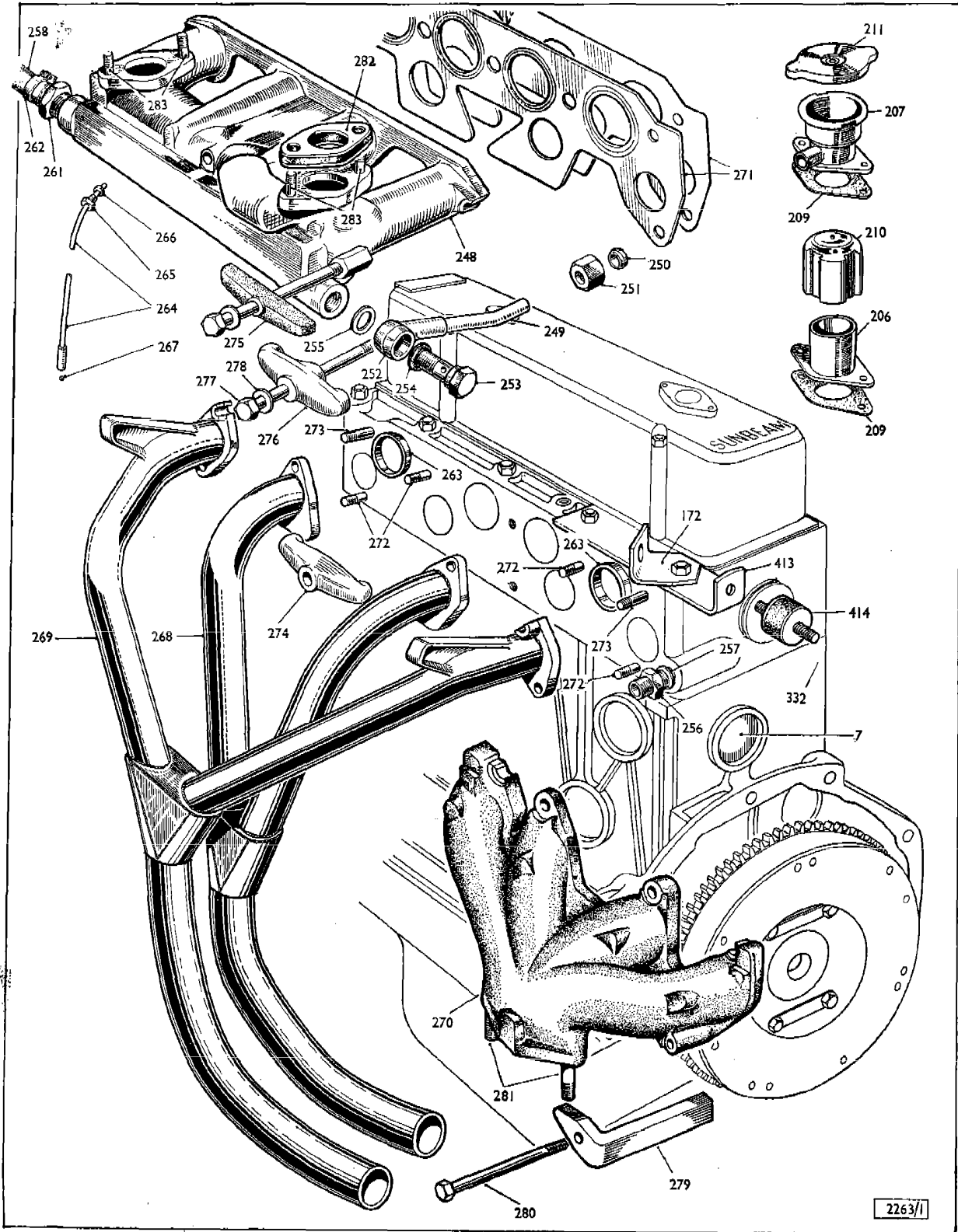


22 62 72

PLATE C - SECTION A

Lit. 023

ENGINE (Motor) AND AUXILIARIES



2263/1

PLATE D - SECTION A

Lit. 023

ENGINE (Motor) AND AUXILIARIES

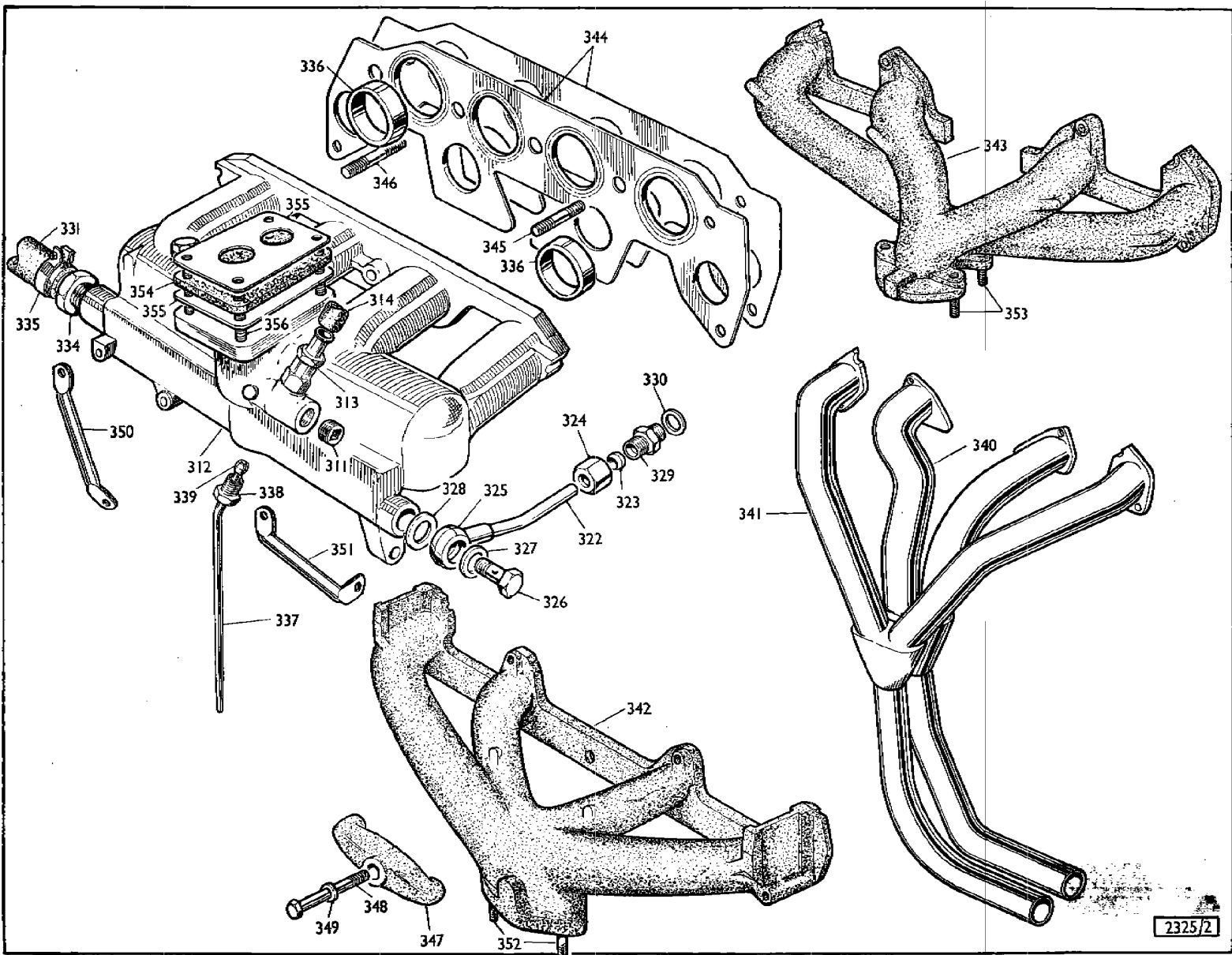


PLATE E - SECTION A

Lit. 023

ENGINE (Motor) AND AUXILIARIES

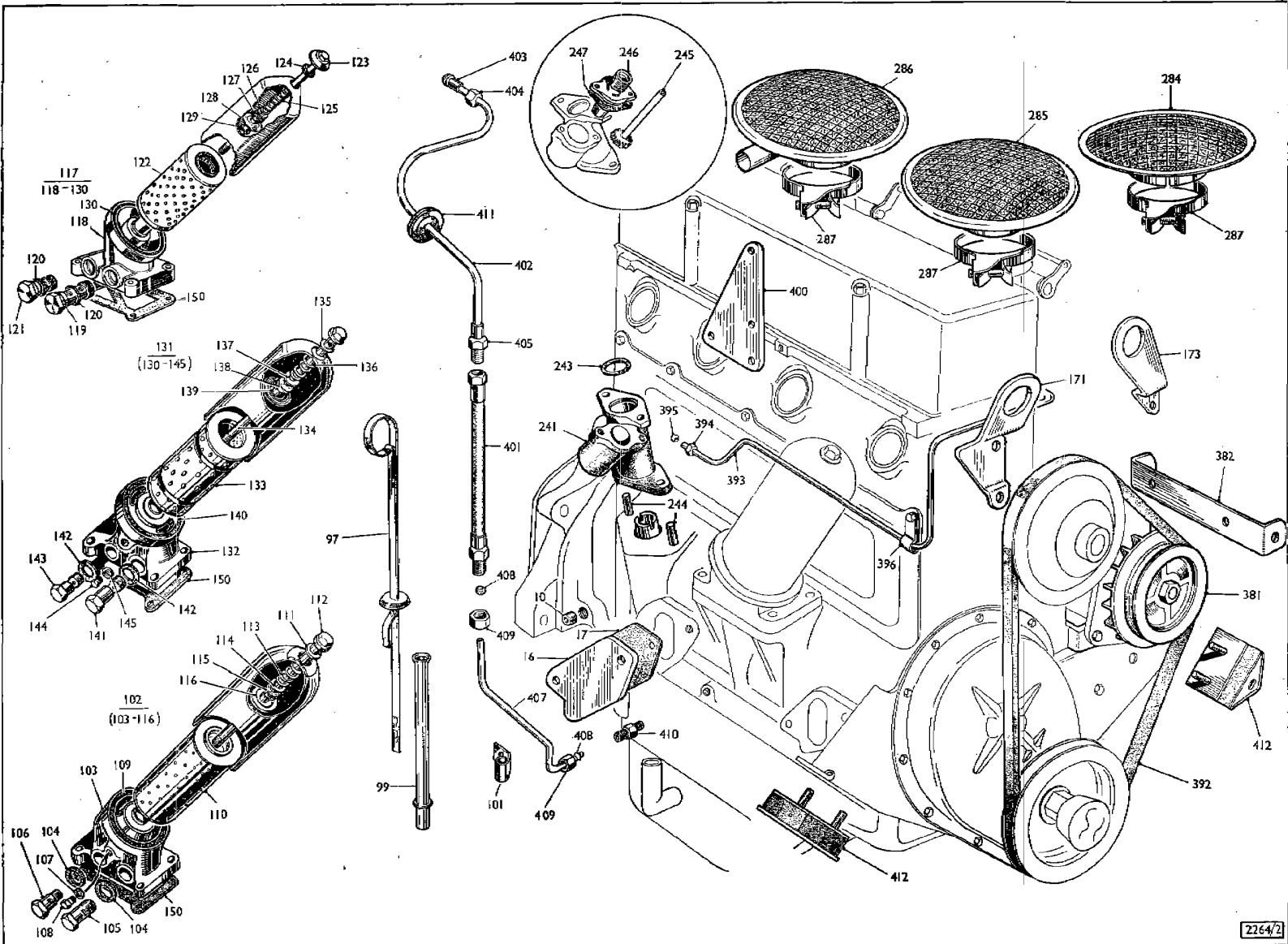


PLATE F - SECTION A

Lit. 023

ENGINE (Motor) AND AUXILIARIES

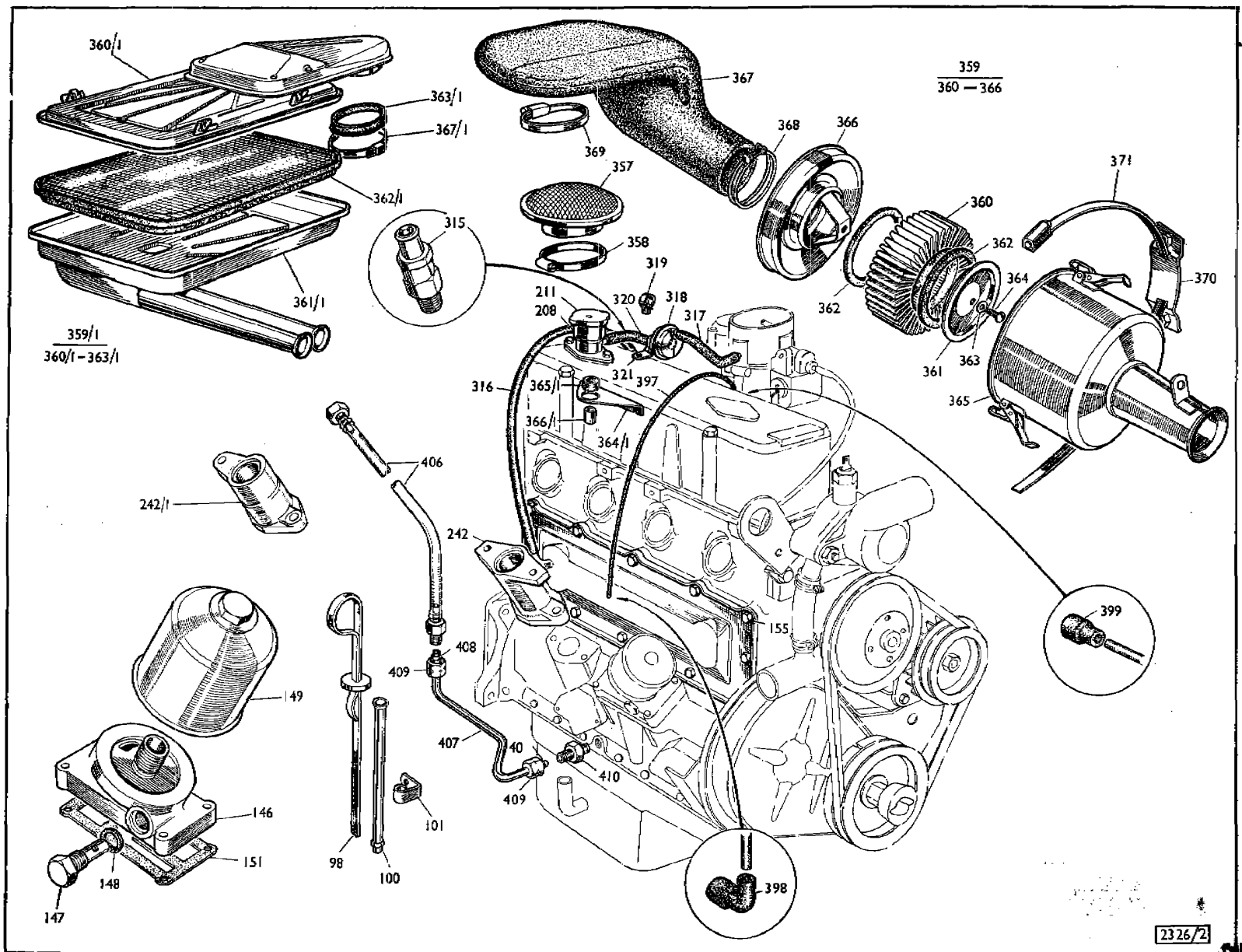


PLATE G -- SECTION A

Lit. 023

ENGINE (Motor) AND AUXILIARIES

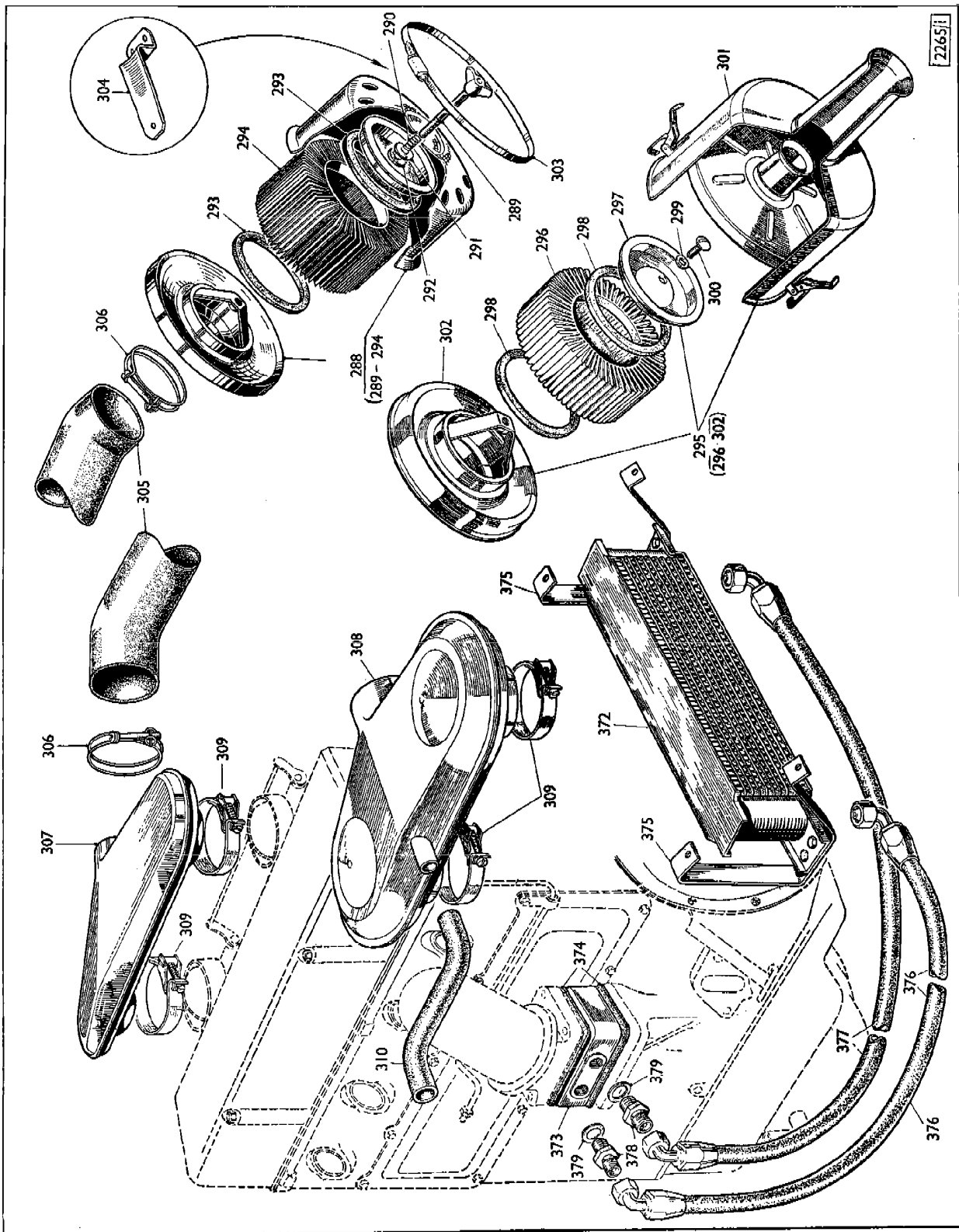


PLATE H - SECTION A

Lit. 023

ENGINE (Motor) UNIT — Series, I, II, III and IV

Plate Ref.	Part Number	DESCRIPTION	No. per Veh.	REMARKS
	5220104	ENGINE (Motor) UNIT—High Compression	1	} Series I Series II up to B9104228 and B9104334 H/C M/E See Parts Data 2A/240. Series II from B9104229 and B9104335 H/C M/E up to B9117424 Series II from B9117425 up to Series III Le-Mans Series II Series III up to 5220817 Series III from B9204718 S/Top, B9203887 G.T. and B9250157 CKD S/Africa Series IV up to B94100000 BU, B94600000 CKD. Series IV from B94100001 BU, B94600001 CKD. Series IV Automatic Series II up to B9117424 Series II from B9117425 up to Series III Series III up to 5220818 Series III from B9204718 S/Top, B9203887 G.T. and B9250157 CKD S/Africa Series IV up to B94100000 BU, B94600000 CKD.
	5220283	ENGINE (Motor) UNIT—Low Compression (No longer available)	1	
	5220337 s/d by 5220615	ENGINE (Motor) UNIT	1	
	5220485 s/d by 5220615	ENGINE (Motor) UNIT	1	
	5220615	ENGINE (Motor) UNIT	1	
	5220631	ENGINE (Motor) UNIT	1	
	5220741	ENGINE (Motor) UNIT } High Compression	1	
	5220817	ENGINE (Motor) UNIT	1	
	5220800	ENGINE (Motor) UNIT	1	
	5220906 s/d by 5220910	ENGINE (Motor) UNIT	1	
	5220813	ENGINE (Motor) UNIT	1	
	5220338 s/d by 5220616	ENGINE (Motor) UNIT } See Parts	1	
	5220616	ENGINE (Motor) UNIT } Data 2A/290 (No longer available)	1	
	5220742	ENGINE (Motor) UNIT	1	
	5220818	ENGINE (Motor) UNIT } Low Compression	1	
	5220801	ENGINE (Motor) UNIT	1	
		Note. The above Engine (Motor) Units are less the following: Induction (Intake) Manifold, Exhaust Manifold, Carburettors, Air Cleaner, Dynamo (Generator), Fan and Belt, Ignition Coil, Sparking Plugs, Distributor, Starter Motor, Fuel Pump and Clutch Unit. A replacement Engine (Motor) Unit is available in part exchange for the original.		
	5220097 s/d by 5220450	CYLINDER BLOCK } c/w	1	
	5220450	CYLINDER BLOCK } Bearing Caps	1	
	P.118812	Cylinder liner—For replacement cylinder blocks	4	
A2	9803188 s/d by 9805480	Plug (Heater) 1" B.S.P.	1	
	5220339 s/d by 5220965	CYLINDER BLOCK	1	
A1	5220404 s/d by 5220965	CYLINDER BLOCK—See Parts Data 2A/300 } c/w Bearing Caps	1	
	1206909	Cylinder liner—For replacement cylinder block	4	
A3	9805480	Plug (Heater) 1" B.S.P.	1	
A4	9802041	Plug, ½" B.S.P.	2	
	9801043	Plug, ½" B.S.P. } Core	2	
A5	9077046	Washer, ½" copper } plugs	2	
	5220713	Washer, ½" copper	2	
A6	9101839 s/d by 5220785	Sealing cup, 1½" dia.	5	
AD7	P.103756 s/d by 9101841	Sealing cup, 1½" dia.	1	
	9101808	Sealing plug—Dipstick hole	1	
B8	P.48510	Bearing—Camshaft	3	
A9	9805031	Plug, ⅜" B.S.P.	2	
AF10	9804210 s/d by 7100882	Plug, special } Oilways	2	
A11	9003093	Bolt, ⅞" UNF. × 3⅜" (Front)	2	
A12	19107203	Bolt, ⅞" UNF. × 2½" (Centre and Rear) } Caps	4	

ENGINE (Motor) UNIT — Series I, II, III and IV

Plate Ref.	Part Number	DESCRIPTION	No. per Veh.	REMARKS	
		ENGINE (Motor) UNIT—continued			
		CYLINDER BLOCK—continued			
A13	9067046	Washer, $\frac{1}{16}$ " plain	2	Main Bearing	
A14	9660281 s/d by 9660283	Washer, $\frac{7}{16}$ " spring	4		
B15	9809340	Sealing disc, 2 $\frac{1}{4}$ " dia.—Camshaft	1	Caps	
F16	P.106950	Blanking Plate—Petrol Pump aperture	1		
F17	P.106890	Joint ...	1	Blanking plate	
	5220684	Screw, $\frac{5}{16}$ " UNF. $\times \frac{3}{8}$ "	2		
	9661201 s/d by 9661203	Washer, $\frac{3}{8}$ " spring ...	2	cylinder block	
	5107841	Piston complete (Standard Grade A)	4		
	5107842	Piston complete (Standard Grade B)	4	Series I High Compression	
	5107843	Piston complete (Standard Grade C)	4		
	5107844	Piston complete (Standard Grade D)	4		
	5107845	Piston complete (Standard Grade E)	4		
	5107846	Piston complete (Standard Grade F)	4		
	5107847	Piston complete (-005" O/S)	4		
	5107848	Piston complete (-020" O/S)	4		
	5107849	Piston complete (-040" O/S)	4		
	5108388	Piston complete (Standard Grade A)	4		Series I Low Compression
	5108389	Piston complete (Standard Grade B)	4		
	5108390	Piston complete (Standard Grade C)	4		
	5108391	Piston complete (Standard Grade D)	4		
	5108392	Piston complete (Standard Grade E)	4		
	5108393	Piston complete (Standard Grade F)	4		
	5108394	Piston complete (-005" O/S)	4		
	5108395	Piston complete (-020" O/S)	4		
	5108396	Piston complete (-040" O/S)	4		
	5107861	Compression ring (Standard)	4	Series I	
	5107862	Compression ring (-005" O/S)	4		
	5107863	Compression ring (-020" O/S)	4		
	5107864	Compression ring (-040" O/S)	4		
	5107868	Compression ring (Standard)	4		
	5107869	Compression ring (-005" O/S)	4		
	5107870	Compression ring (-020" O/S)	4		
	5107871	Compression ring (-040" O/S)	4		
	5107875	Scraper ring (Standard)	4		
	5107876	Scraper ring (-005" O/S)	4		
	5107877	Scraper ring (-020" O/S)	4		
	5107878	Scraper ring (-040" O/S)	4		
	5105645	Gudgeon pin (Top limit)	4	Series I—For special service purposes only	
	5105646	Gudgeon pin (Medium limit)	4		
	5105647	Gudgeon pin (Bottom limit)	4		
	5105648	Gudgeon pin (-003" O/S)	4		
	9204011	Circlip	8		
	5109371	Oil Master Piston Ring Kit (Standard)	1	Series II and III High Compression	
	5109372	Oil Master Piston Ring Kit (-005" O/S)	1		
	5109373	Oil Master Piston Ring Kit (-020" O/S)	1		
	5109374	Oil Master Piston Ring Kit (-040" O/S)	1		
B18	5109400 s/d by 5115040	Piston complete (Standard Grade A)	4	Series II and III High Compression	
	5109401 s/d by 5115041	Piston complete (Standard Grade B)	4		
	5109402 s/d by 5115042	Piston complete (Standard Grade C)	4		
	5109403 s/d by 5115043	Piston complete (Standard Grade D)	4		

ENGINE (Motor) UNIT — Series I, II, III and IV

Plate Ref.	Part Number	DESCRIPTION	No. per Veh.	REMARKS
		ENGINE (Motor) UNIT—continued		
	5109404 s/d by 5115044	Piston complete (Standard Grade E)	4	Series II and III High Compression
	5109405	Piston complete (Standard Grade F) (No longer available) ...	4	
	5109406	Piston complete (-005" O/S)	4	
	5109407	Piston complete (-020" O/S)	4	
	5109409 s/d by 5115055	Piston complete (-030" O/S)	4	
	5109408	Piston complete (-040" O/S) (No longer available)	4	
	5109412 s/d by 5114875	Piston complete (Standard Grade A)	4	Series II and III Low Compression
	5109413 s/d by 5110408	Piston complete (Standard Grade B)	4	
	5109414 s/d by 5114877	Piston complete (Standard Grade C)	4	
	5109415 s/d by 5114878	Piston complete (Standard Grade D)	4	
	5109416 s/d by 5114879	Piston complete (Standard Grade E)	4	
	5109417	Piston complete (Standard Grade F) (No longer available) ...	4	
	5109418	Piston complete (-005" O/S)	4	
	5109419	Piston complete (-020" O/S)	4	
	5109421 s/d by 5114880	Piston complete (-030" O/S)	4	
	5109420	Piston complete (-040" O/S) (No longer available)	4	
B19	5109424 s/d by 5116040	Compression ring (Standard)	4	Series II and III
	5109425	Compression ring (-005" O/S)	4	
	5109426	Compression ring (-020" O/S) } Top groove	4	
	5109428 s/d by 5116041	Compression ring (-030" O/S)	4	
	5109427	Compression ring (-040" O/S) } (No longer available)	4	
B20	5109431 s/d by 5112976	Compression ring (Standard)	4	
	5109432	Compression ring (-005" O/S)	4	
	5109433	Compression ring (-020" O/S) } Second groove	4	
	5109435 s/d by 5112977	Compression ring (-030" O/S)	4	
	5109434	Compression ring (-040" O/S) } (No longer available)	4	
B21	5109438	Scraper ring (Standard)	4	
	5109439	Scraper ring (-005" O/S)	4	
	5109440	Scraper ring (-020" O/S) } Third groove	4	
	5109442	Scraper ring (-030" O/S)	4	
	5109441	Scraper ring (-040" O/S) } (No longer available)	4	
B22	5109445 s/d by 5110417	Gudgeon Pin (Top limit)	4	
	5110421	Gudgeon pin (-0001" above top limit)	4	
	5109446	Gudgeon pin (Medium limit)	4	
	5109447	Gudgeon pin (Bottom limit)	4	
	5109448	Gudgeon pin (-003" O/S)	4	
B23	9204013	Circlip—Gudgeon pin	8	
	5112455 s/d by 5115040	Piston complete (Standard Grade A)	4	Series IV High Compression
	5112456 s/d by 5115041	Piston complete (Standard Grade B)	4	
	5112457 s/d by 5115042	Piston complete (Standard Grade C)	4	
	5112458 s/d by 5115043	Piston complete (Standard Grade D)	4	
	5112459 s/d by 5115044	Piston complete (Standard Grade E)	4	
	5112461 s/d by 5115045	Piston complete (-030" O/S)	4	
	5109424 s/d by 5116040	Compression ring (Standard) } Top	4	
	5109428 s/d by 5116041	Compression ring (-030" O/S) } groove	4	
	5109431 s/d by 5112976	Compression ring (Standard)	4	
	5112976	Compression ring (Standard) } Second	4	
	5109435 s/d by 5112977	Compression ring (-030" O/S) } groove	4	
	5112977	Compression ring (-030" O/S)	4	
				Up to B94100646 From B94100647 Up to B94100646 From B94100647

ENGINE (Motor) UNIT — Series I, II, III and IV

Plate Ref.	Part Number	DESCRIPTION	No. per Veh.	REMARKS	
ENGINE (Motor) UNIT—continued					
PISTON—continued					
	5109438	Scrapper ring (Standard)	4	} Series IV } High Compression	
	5109442	Scrapper ring (-030" O/S)	4		
	5112465	Gudgeon pin (Top limit)	4		
	5112466	Gudgeon pin (Medium limit)	4		
	5112467	Gudgeon pin (Bottom limit)	4		
	5110421	Gudgeon pin (-0001" above top limit)	4		
	5112468	Gudgeon pin (-003" O/S)	4		
	9204013	Circlip—Gudgeon pin	8		
	5110407	Piston complete (Standard grade A)	4		
	5110408	Piston complete (Standard grade B)	4		
	5110409	Piston complete (Standard grade C)	4		
	5110410	Piston complete (Standard grade D)	4		
	5110411	Piston complete (Standard grade E)	4		
	5110413	Piston complete (-030" O/S)	4	} Series IV up to B94100000 } BU, B94600000 CKD. } Low Compression	
	5109424	Compression ring (Standard)	4		
	5109428	Compression ring (-030" O/S)	4		
	5109431	Compression ring (Standard)	4		
	5109435	Compression ring (-030" O/S)	4		
	5109438	Scrapper ring (Standard)	4		
	5109442	Scrapper ring (-030" O/S)	4		
	5110417	Gudgeon pin (Top limit)	4		
	5110418	Gudgeon pin (Medium limit)	4		
	5110419	Gudgeon pin (Bottom limit)	4		
	5110421	Gudgeon pin (-0001" above top limit)	4		
	5110420	Gudgeon pin (-030" O/S)	4		
	9204013	Circlip—Gudgeon pin	8		
	5109377	Oil Master Ring Kit (Standard)	1	} Series II, III and IV } Special service } purposes only	
	5109378	Oil Master Ring Kit (-005" O/S) (No longer available)	1		
	5109379	Oil Master Ring Kit (-020" O/S) (No longer available)	1		
	P.48568	CONNECTING ROD less Bearing	4	} Series I	
	P.103685	Bush—Small end	4		
	P.103686	Bolt, 1/8" UNF. (Special)	8		
	9551053	Nut, 1/8" UNF. (Nyloc)	8		
	B24	1206880	CONNECTING ROD less Bearing	4	} Series II, III and IV
	B25	1206882	Bush—Small end	4	
	B26	1206884	Bolt, 1/8" UNF. (Special)	8	
		9034025	Nut, 1/8" UNF. (Oddie)	8	
	B27	9034026	Nut, 1/8" UNF. (Nyloc)	8	
	B28	5105726	Bearing (Standard)	8	
		5105727	Bearing (-020" U/S)	8	
		5105728	Bearing (-040" U/S)	8	
		5105729	Bearing (-060" U/S)	8	
		5105867	Bearing Kit (Standard)	1	
		5105868	Bearing Kit (-020" U/S)	1	
		5105869	Bearing Kit (-040" U/S)	1	
		5109550	Bearing Set (Standard)	1	
		5109551	Bearing Set (-020" U/S)	1	
		5109552	Bearing Set (-040" U/S)	1	
		5109553	Bearing Set (-060" U/S)	1	

ENGINE (Motor) UNIT — Series I, II, III and IV

Plate Ref.	Part Number	DESCRIPTION	No. per Veh.	REMARKS
		ENGINE (Motor) UNIT—continued		
	5109395 s/d by 5112014	Bearing Set (Standard)	1	Series II up to B9119827
	5109396 s/d by 5112015	Bearing Set (-020" U/S) } Connecting Rod	1	
	5109397 s/d by 5112016	Bearing set (-040" U/S) } Big end	1	
	5109398 s/d by 5112017	Bearing Set (-060" U/S)	1	
		Note. Big end bearing set comprises of 8 half bearings.		
	5112014	Bearing Set (Standard)	1	Series II from B9119828 and Series III and IV
	5112015	Bearing Set (-020" U/S) } Connecting rod	1	
	5112016	Bearing Set (-040" U/S) } Big end	1	
	5112017	Bearing Set (-060" U/S)	1	
		Note. Big end bearing set comprises of 8 half bearings.		
B29	5105659 s/d by 5109534	Main bearing (Standard)	6	Service use only See Parts Data 2A/300
	5105660 s/d by 5109535	Main bearing (-020" U/S)	6	
	5105661 s/d by 5109536	Main bearing (-040" U/S)	6	
	5105662 s/d by 5109537	Main bearing (-060" U/S)	6	
	5109534	Main bearing set (Standard) } Crankshaft	1	
	5109535	Main bearing set (-020" U/S)	1	
	5109536	Main bearing set (-040" U/S)	1	
	5109537	Main bearing set (-060" U/S)	1	
	5114980	Main bearing set (Standard)	1	
	5114981	Main bearing set (-020" U/S) } Crankshaft	1	
	5114982	Main bearing set (-040" U/S)	1	
	5114983	Main bearing set (-060" U/S)	1	
		Note. Main bearing set comprises of 6 half bearings.		
B30	5105597 s/d by 5112972	Thrust washer (Standard)	2	
	5105598 s/d by 5112973	Thrust washer (-005" O/S)	2	
	5109546 s/d by 5112972	Thrust washer set (Standard)	1	From B9115381
	5109547 s/d by 5112973	Thrust washer set (-005" O/S)	1	
	5111152 s/d by 5112972	Thrust washer set (Standard)	1	Service use only See Parts Data 2A/300
	5111153 s/d by 5112973	Thrust washer set (-005" O/S)	1	
	5114986	Thrust washer set (Standard)	1	Service use only See Parts Data 2A/300
	5114987	Thrust washer set (-005 O/S)	1	
	5111154	Note. The above Thrust Washer Sets are comprised of 2 halves. Thrust washer set (1 off Std. and 1 off -030" O/S) (No longer available)	1	For special purposes from B9115381 Service use only See Parts Data 2A/300
	5114988	Thrust washer set (1 off Std. and 1 off -030" O/S)	1	
	5107304	CRANKSHAFT (Standard)	1	Series I
B31	5109388 s/d by 5221011	CRANKSHAFT (Standard)	1	
	5220759 s/d by 5221011	CRANKSHAFT (Standard)	1	
	5220833 s/d by 5221011	CRANKSHAFT (Standard) (See Parts Data 2A/315)	1	Series II, III and IV Standard Transmission up to B94100376
B32	9200046	Bush—Stem wheel	1	Series IV Standard Trans- mission from B94100377
	1223555 s/d by 5221011	CRANKSHAFT (Standard)	1	
	1216343	Bush—Converter—Crankshaft	1	
	5220835 s/d by 5221011	CRANKSHAFT (Standard) (See Parts Data 2A/315)	1	Series IV Automatic Trans- mission from B94100377
	1216343	Bush—Converter—Crankshaft	1	
	P.103609 s/d by 1228027	Timing wheel } Crankshaft	1	Up to B94100376
B33	1228027	Timing wheel	1	
	1228028	Damper ring—Timing wheel	1	From B94100377

ENGINE (Motor) UNIT — Series I, II, III and IV

Plate Ref.	Part Number	DESCRIPTION	No. per Veh.	REMARKS
		ENGINE (Motor) UNIT—continued		
B34	5220715	Dowel—Flywheel	1	Standard Transmission Series I, II and III Series IV up to B94104104 Series IV from B94104105
	1201083 s/d by 1228153	Damper c/w pulley	1	
	1218568 s/d by 1228153	Damper c/w pulley	1	
B35	1228153	Damper c/w pulley	1	
	9213030 s/d by 9213031	Key—Damper	1	
B36	9213031	Key—Damper—1 $\frac{1}{16}$ " long... ..	1	
	9213040	Key, 1 $\frac{7}{16}$ " long	1	
B37	P.103610	Oil thrower	1	
B38	P.103766 s/d by 1235122	Starting jaw	1	
B39	1202443	Tab washer } Starting	1	
B40	1208868	Washer } jaw	1	From B9107688 H/C B9107865 H/C M/E B9107959 L/C M/E
	P.116082 s/d by 1207042	ENGINE (Motor) SUPPORT PLATE	1	See Engine Auxiliaries for front engine supports, etc.
	1206904 s/d by 1207042	ENGINE (Motor) SUPPORT PLATE	1	
A41	1207042	ENGINE (Motor) SUPPORT PLATE	1	
A42	P.103612	Gasket—Support plate	1	
	5220684	Screw, $\frac{3}{16}$ " UNF. \times $\frac{3}{8}$ " } Support plate to	3	
	9661201 s/d by 9661203	Washer, $\frac{3}{16}$ " spring ... } cylinder block	3	
	P.106976 s/d by 1206876	FLYWHEEL AND STARTER RING (Gear)	1	
	1206876	FLYWHEEL AND STARTER RING (Gear)	1	
	1214622	FLYWHEEL AND STARTER RING (Gear)	1	
B43	1218764 s/d by 5221271	FLYWHEEL AND STARTER RING (Gear)	1	
	1208623	FLYWHEEL AND STARTER RING (Gear)	1	
B44	P.103618	Starter ring (Gear)	1	
		Note. A replacement flywheel and starter ring (gear) is available in part exchange for the original.		
B45	19506073	Bolt, $\frac{3}{8}$ " UNF. \times $\frac{7}{8}$ " } Flywheel to	4	
B46	P.103620	Lock plate ... } crankshaft	2	
	P.118862 s/d by 1228189	CAMSHAFT	1	
	1208792 s/d by 1228189	CAMSHAFT	1	Up to B94100000 BU, B94600000 CKD. From B94100001 BU, B94600001 CKD. up to B94103156
	1218784 s/d by 1228189	CAMSHAFT	1	From B94103157
B47	1228189	CAMSHAFT	1	
	1214579 s/d by 1208620	CAMSHAFT	1	
	1208620	CAMSHAFT	1	Series II Le-Mans
		Note. See cylinder block for camshaft bearings.		
B48	P.118772	Thrust plate (Standard)	1	Series II Le-Mans
	P.107824	Thrust plate (-004" O/S)	1	
	P.103613 s/d by P.118772	Thrust plate ... } Camshaft	1	
B49	P.112147	Timing wheel	1	
B50	9213008	Key—Timing wheel	1	
B51	5220686	Bolt, $\frac{3}{8}$ " UNF. \times $\frac{3}{4}$ "	1	
B52	9096046	Retaining washer } Timing wheel to camshaft	1	
B53	P.55844	Washer—Special	1	
	19504051 s/d by 19504052	Screw, $\frac{1}{4}$ " UNF. \times $\frac{3}{8}$ " } Thrust plate	2	
	9661161 s/d by 9661163	Washer, $\frac{1}{4}$ " spring ... } to block	2	
B54	P.106923	Blade—Chain tensioner	1	Up to P.107710/1

ENGINE (Motor) UNIT — Series I, II, III and IV

Plate Ref.	Part Number	DESCRIPTION	No. per Veh.	REMARKS
		ENGINE (Motor) UNIT—continued		
B55	P.107710	Chain tensioner	1	} From B9110982 H/C B9111021 H/C, M/E
B56	P.107711	Blade—Chain tensioner	1	
B57	P.103732	Pivot pin	1	} Chain tensioner blade to cylinder block
B58	9067014	Washer, 1/4" plain	1	
B59	9226040	Timing chain (Reynolds 114038 x 54P)	1	
B60	9151405	Adaptor Oil	1	} Up to 1208783/4 & 9187001 From B9106448 H/C
B61	1208783	Adaptor pipe	1	
B62	1208784	Spring Oil	1	} B9107189 L/C and B9106535 M/E
B63	9187001	Ball feed	1	
B64	P.114230 s/d by 1208782	PIPE Oil	1	
B64	1208782	PIPE jet	1	
B65	9156501	Retainer nut Oil jet	1	
B66	9157100	Olive pipe	1	
	1201152 s/d by 1208727	TIMING COVER	1	
	1208756 s/d by 1208727	TIMING COVER	1	
A67	1208727	TIMING COVER	1	
A68	P.103667	Gasket	1	
	19505061 s/d by 19505062	Screw, 5/8" UNF. x 3/4"	8	} Timing cover to cylinder block
	5220692	Screw, 5/8" UNF. x 7/8"	1	
	9661201 s/d by 9661203	Washer, 5/8" spring	9	
A69	9087076	Collar—Timing cover screw	1	
B70	P.106997	Pillar stud	1	
	5220684	Bolt, 5/8" UNF. x 3/4"	4	} Series I and II
	5220684	Bolt, 5/8" UNF. x 3/8"	3	
	19505081	Bolt, 5/8" UNF. x 1"	1	} Series III and IV
	9661201 s/d by 9661203	Washer, 5/8" spring	4	
	5220701	Nut, 5/8" UNF.	4	} Timing cover to front plate
	9661201 s/d by 9661203	Washer, 5/8" spring	5	
	5220701	Nut, 5/8" UNF.	5	} Series I and II
	5220690	Screw, 1/2" UNF. x 1/2"	1	
	9078008	Washer, 1/2" fibre	1	} Series III and IV
	P.107857 s/d by 1206893	OIL PUMP	1	
	1206893	OIL PUMP	1	} Series I, II and III Series IV
	1206937	OIL PUMP	1	
		Note. A replacement oil pump is available in part exchange for the original.		
B71		Body—Oil pump		Not supplied
	P.48554	Driving spindle c/w rotor	1	} Series I up to 5220340 Series I from B9008107 H/C, B9008530 L/C, B9008007 H/C M/E, B9008467 L/C, M/E and Series II, III and IV
B72	5220340	Driving spindle and vane	1	
B73	P.106911	Cover plate	1	
	19604051	Screw, 1/2" UNC. x 5/8"	4	
	9661161 s/d by 9661163	Washer, 1/4" spring	4	
B74	P.107854	Driving pinion	1	} Series I, II and III Series IV
	P.107853	Driving pinion	1	
B75	9146020	Pin—Pinion to shaft	2	
B76	P.107782	Filter	1	
B77	P.107784	Retainer—Filter	1	
B78	P.107783	Cover—Filter	1	
	5220692	Screw, 5/8" UNF. x 7/8"	2	} Oil pump to block
	9661201 s/d by 9661203	Washer, 5/8" spring	2	

ENGINE (Motor) UNIT — Series I, II, III and IV

Plate Ref.	Part Number	DESCRIPTION	No. per Veh.	REMARKS
		ENGINE (Motor) UNIT—continued		
	P.48512	OIL PIPE—Pump to Block	1	} Series I up to 1206897
	9156551	Nut	2	
	9157113	Olive	2	
B79	1206897	OIL PIPE	1	} Series I from B9008107 H/C, B9008530 L/C, B9008007 H/C, M/E, B9008467 L/C, M/E and Series II, III and IV
B80	9156551	Nut	1	
B81	9157113	Olive } Oil	1	
B82	9156551	Nut ... } pipe	1	
B83	9157113	Olive ... }	1	
B84	5220099	OIL PIPE—Rocker Feed	1	
B85	9157102	Olive } Rocker shaft	1	
B86	9156506	Nut } end	1	
B87	9157102	Olive } Cylinder	1	
B88	9156051	Nut } block end	1	
B89	9151200	Union—Cylinder block } Rocker	1	
B90	1202204	Adaptor—Rocker shaft } oil feed	1	
	1201171	SUMP (Oil Pan)	1	} Series I, II and III Series IV
	1208737	SUMP (Oil Pan)	1	
	1214753	SUMP (Oil Pan)	1	
A91	1218718	SUMP (Oil Pan)	1	
A92	9802041	Drain plug, ½" B.S.P. } Sump	1	
A93	5220713	Washer—Drain plug } (Oil Pan)	1	
A94		††Gasket, O/S (R.H.)	1	
A95		††Gasket, N/S (L.H.) } Sump (Oil Pan) to	1	
	9003027	Screw, ½" UNF. × ⅝" } cylinder block	18	
	9003029	Screw, ½" UNF. × ⅝" }	18	
	9003027	Screw, ½" UNF. × ⅝" }	14	
	9003029	Screw, ½" UNF. × ⅝" }	14	
	9661161	Washer, ½" spring	14	
	9067015	Washer, ½" plain	14	
	59410909	Screw, ½" UNF. × ⅝" } Sump (Oil pan)	14	
	5220695	Screw, ½" UNF. × ¾" } and stiffener to	4	
	9067015	Washer, ½" plain	4	
	19504091	Screw, ½" UNF. × 1¼" } cylinder block	2	
	9067015	Washer, ½" plain	2	
	9067468	Washer, ½" plain	4	
	9067015	Washer	2	
	29504111	Stud, ½" UNF. × 1⅜"	2	
	9029192	Nut, ½" UNF.	2	
	P.107837	Gasket	2	
	5220588	†Gasket	2	
	1208707	†Gasket } Sump (Oil Pan) ends	2	
	1218681	†Gasket } and bearing caps	2	
	1218681	*Gasket	2	
A96	1235073	†Gasket	2	
	5220591	SUMP (Oil Pan) GASKET SET (Includes items †)	1	
	5220816	SUMP (Oil Pan) GASKET SET (Includes items*)	1	
	5220944	SUMP (Oil Pan) GASKET SET (Includes items †)	1	

ENGINE (Motor) UNIT — Series I, II, III and IV

Plate Ref.	Part Number	DESCRIPTION	No. per Veh.	REMARKS
		ENGINE (Motor) UNIT—continued		
F97	P.107712 s/d by 1208802	DIPSTICK (Sump (Oil Pan) (Oil Level)	1	Series I & II up to 1208802 Series II from B9115379, B9150073 H/C and Series III and IV Superseded by 1208767
G98	1208802	DIPSTICK—Sump (Oil Pan) (Oil Level)	1	
F99	P.106990 s/d by 1208767	Tube } Dipstick	1	
G100	1208767	Tube }	1	
FG101	P.106991	Clip—Dipstick	1	
		STIFFENERS AND FIXINGS (Standard Transmission) ...		See Clutch and Controls Section
		STIFFENERS AND FIXINGS (Automatic Transmission) ...		See Automatic Transmission, Gearbox (Transmission) Unit Section
F102	P.106953 s/d by 1218347	OIL FILTER UNIT (Tecalemit)	1	
F103	K.25351	Filter base	1	
F104	P.43848	Washer—Valves	2	
F105	P.114247	Relief valve	1	
F106	K.24582	Balance valve	1	
F107	9077032	Washer—Plug	1	No longer available
F108	9803013	Plug	1	
F109	9122174	Sealing ring	1	
F110	K.24477	Element	1	
F111	9122107	Washer—Centre bolt	1	
F112	K.24587	Centre bolt	1	
F113	K.24588	Spring } Centre... ..	1	
F114	9067289	Washer } bolt	1	
F115	5030224	Washer—Felt	1	
F116	K.24591	Plate—Pressure	1	
	K.24592	Circlip	1	
	1206796 s/d by 1218347	OIL FILTER UNIT (Tecalemit)	1	See Data 2A/206
F117	1218347	OIL FILTER UNIT (Tecalemit)	1	Series I, II and III up to B9204717 S/Top, B9203836 G.T. and B9250156 CKD S/Africa
	5037925 s/d by 5040539	Filter base assembly } See Parts	1	For 1206796 For 1218347
F118	5040539	Filter base assembly } Data 2A/298	1	
	5037926	Piston	1	For 1206796
	5037927	Spring—Relief valve	1	
	5037928	Cap—Relief valve	1	For 1218347
F119	5040540	Relief valve assembly	1	
F120	9122127	Washer—Plug	2	For 1206796
	5037930	Valve cap }	1	
	9187012	Ball, steel } Balance valve	1	
	5037929	Spring }	1	
F121	5040541	Balance valve assembly	1	For 1218347
F122	K.24477	Filter element	1	
F123	5037931	Centre bolt assembly	1	
F124	9122211	Washer—Centre bolt	1	
F125	5037932	Spring	1	
F126	9067435	Washer	1	
F127	9122210	Washer—Seal	1	
F128	5058314	Pressure plate	1	
F129	P.49349	Circlip	1	
F130	9122174	Sealing ring	1	
	9803047	Plug	1	For 1206796
	9077014	Washer—Plug	1	

ENGINE (Motor) UNIT — Series I, II, III and IV

*Plate Ref.	Part Number	DESCRIPTION	No. per Veh.	REMARKS	
		ENGINE (Motor) UNIT—continued			
F131		OIL FILTER UNIT—Simmonds	1	} For replacement use 1218347	
F132		Filter base	1		
F133	K.24477	Element	1		
F134	K.24543	Centre bolt	1		
F135	9078032	Gasket (Fibre)—Centre bolt	1		
F136	K.24545	Spring—Element	1		
F137	K.24546	Washer—Centre bolt	1		
F138	9122102	Oil seal—Bottom plate	1		
F139	K.24548	Bottom location plate	1		
	9206544	Circlip—Centre bolt	1		} No longer available
F140	9122174	Sealing ring	1		
F141	K.25353	Balance valve	1		
F142	9122126	Gasket—Valves	2		
F143	K.24555	Relief valve	1		
F144	19507061	Drain plug (Screw, $\frac{7}{8}$ " UNF. \times $\frac{3}{8}$ ")	1		
F145	9078020	Gasket—Drain plug	1		
		OIL FILTER UNIT (FRAM) (Not supplied)			
G146	5041316	Filter base (See Data 2A/335)	1	} Series III from B9204718 S/Top, B9203887 G.T. and B9250157 CKD S/Africa and Series IV	
G147	5041317	Relief valve assembly	1		
G148	5041318	Washer—Relief valve	1		
G149	5041315	Oil filter (Cartridge)	1		
	P.106954	Gasket	1	} Series I, II & III upto 1218624 Series III from B9204718 S/Top, B9203887 G.T. and Series IV	
F150	1207973	Gasket	1		
G151	1218624	Gasket—Filter to cylinder block	1		
	19505101	Bolt, $\frac{5}{16}$ " UNF. \times $1\frac{1}{4}$ "	4		
	9067022	Washer, $\frac{5}{16}$ " plain	4		
A152	P.111850	TAPPET (Valve lifter) COVER	1		} Up to 1218435 From B9204718 S/Top, B9203887 G.T. up to Series IV
A153	1218435	TAPPET (Valve lifter) COVER	1		
A154	1218467	Breather—Tappet cover	1		} Series IV
G155	1228000	TAPPET (Valve lifter) COVER	1		
A156	P.103740	Gasket	1		
	5220690	Screw, $\frac{3}{4}$ " UNF. \times $\frac{3}{4}$ " } Cover to	13		
	9067016	Washer, $\frac{1}{4}$ " plain ... } cylinder	13		
	9067015	Washer, $\frac{3}{4}$ " plain ... } block	13		
	59410811	Sems screw	13		
	5220137	CYLINDER HEAD	1	} Alternative to 5220690 and 9067015 Series I & II up to 5220474 Series II from B9104228 H/C B9104335 H/C, M/E up to 5220609 Series II from B9117425 Series III, also Series IV Standard Transmission Series II Le-Mans	
	5220474	CYLINDER HEAD	1		
	5220609	CYLINDER HEAD	1		
	5220630	CYLINDER HEAD	1		

ENGINE (Motor) UNIT — Series I, II, III and IV

Plate Ref.	Part Number	DESCRIPTION	No. per Veh.	REMARKS
		ENGINE (Motor) UNIT—continued		
A157	5220806	CYLINDER HEAD	1	Series IV Automatic Transmission
A158	9805031	Plug, $\frac{3}{8}$ " B.S.P.	1	Not required when heater is fitted
	9803045	Plug, $\frac{3}{8}$ " UNC.	1	Series II Le-Mans
	9077039	Washer—Plug	1	
A159	9803150	Plug, $1\frac{1}{8}$ " ANF. } Cylinder head	1	
A160	9077063	Washer ... } rear	1	
A161	1200077	Water jet (Centre)	1	
A162	P.118869	Spark plug tube	4	
B163	5107310	Valve guide (Standard)	4	
	5107311	Valve guide (.001" O/S) } Inlet(Intake)	4	
	5107312	Valve guide (.003" O/S) }	4	
B164	5107314	Valve guide (Standard)	4	
	5107315	Valve guide (.001" O/S) } Exhaust	4	
	5107316	Valve guide (.003" O/S) }	4	
B165	1201901	Retaining ring—Valve guide	8	
	5107319	Valve seat insert (.002" O/S) }	4	
	5107320	Valve seat insert (.005" O/S) } Inlet (Intake)	4	
	5107321	Valve seat insert (.010" O/S) }	4	
	5107327	Valve seat insert (.002" O/S) }	4	
	5107328	Valve seat insert (.005" O/S) } Exhaust	4	
	5107329	Valve seat insert (.010" O/S) }	4	
	9169001	Connector—Heater hose cylinder head	1	Series III and IV
	9078033	Washer—Connector	1	
	1201091	Gasket	1	Series I
A166	1206899 s/d by 1214624	Gasket	1	Series II up to B9117424
	1214624	Gasket	1	Series II from B9117425 and Series III and IV
A167	29900257 s/d by 29900446	Stud, $\frac{3}{8}$ " UNF. \times 5-44" } Cylinder head to cylinder block	2	
	29900446	Stud, $\frac{3}{8}$ " UNF. \times 5 $\frac{1}{4}$ " }	2	
A168	9003202	Bolt, $\frac{3}{8}$ " UNF. \times 4 $\frac{1}{4}$ " }	8	
A169	9067039	Washer, $\frac{3}{8}$ " plain	10	
A170	9029145	Nut, $\frac{3}{8}$ " UNF. }	2	
	1214554	Lifting bracket	1	
F171	1214783	Slinging eye	1	Series II from B9115001 up to Series III
	9067037	Washer, $\frac{3}{8}$ " plain } Bracket and eye	2	
	9029145	Nut, $\frac{3}{8}$ " UNF. } to cylinder head	2	
D172	1214554	Lifting bracket	1	Series III and IV
F173	1214765	Slinging eye	1	
	9067038	Washer, $\frac{3}{8}$ " plain } Bracket and eye	1	
	9029145	Nut, $\frac{3}{8}$ " UNF. } to cylinder head	1	
	9176009	Clip—Petrol pipe to cylinder head	1	Series III and IV
	19503041	Bolt, No. 10 UNF. \times $\frac{3}{8}$ " }	1	Series III and IV, see also
	9067011 s/d by 9096074	Washer, $\frac{1}{8}$ " plain } Petrol pipe clip	1	Petrol (Fuel) System
	5220700	Nut, No. 10 UNF. }	1	Section
	29805133	Stud, $\frac{1}{8}$ " UNF./UNC. \times 1 $\frac{3}{8}$ " }	2	Series I and II
	29805103	Stud, $\frac{1}{8}$ " UNF./UNC. \times 1 $\frac{1}{4}$ " }	3	
C174	29805253	Stud, $\frac{1}{8}$ " UNF. \times 3 $\frac{1}{8}$ " } Thermostat housing	2	Series III and IV
C175	29805103	Stud, $\frac{1}{8}$ " UNF. \times 1 $\frac{1}{4}$ " } to cylinder head	1	
	29805093	Stud, $\frac{1}{8}$ " UNF. \times 1 $\frac{3}{8}$ " }	2	

ENGINE (Motor) UNIT — Series I, II, III and IV

Plate Ref.	Part Number	DESCRIPTION	No. per Veh.	REMARKS
		ENGINE (Motor) UNIT—continued		
B176	P.112116 s/d by 1218394	INLET (Intake) VALVE	4	Series I
	1206872 s/d by 1218394	INLET (Intake) VALVE	4	
	P.112116 s/d by 1218394	INLET (Intake) VALVE	4	Series II up to 1218382
	1218382	INLET (Intake) VALVE	4	Series II from B9117425 and Series III and IV
B177	1201903 s/d by 1218383	EXHAUST VALVE	4	
	1206873 s/d by 1218383	EXHAUST VALVE	4	Series I and II up to 1218383
B178	1218383	EXHAUST VALVE	4	Series II from B9117862, B9117879 M/E, B9117805 Le-Mans & Series III & IV
B179	P.48449 s/d by 5220452	Valve spring (Inner and Outer)	8	
B180	P.118872 s/d by 1208817	Cup } Valve spring lower	8	
B181	1208817	Cup }	8	
B182	9107013 s/d by 9107016	Sealing ring }	8	Series I and II
B183	9107016	Sealing ring } Valves	8	Series III and IV
	P.103746	Valve cup }	8	Up to B9000013
B184	1206787	Valve cup }	8	From B9000014
B185	5220327	Cotter—Valve spring (8 halves)	2	
B186	1202187 s/d by 5112223	TAPPET (Valve Lifter)	8	
	5112223	TAPPET (Valve Lifter)	8	
	5112224	TAPPET (Valve Lifter) .001" o/s	8	For service use
B187	P.118863	Push rod	8	
B188	P.106984	ROCKER SHAFT CARRIER	4	
A189	29605263	Stud, $\frac{1}{8}$ " UNF./UNC. $\times 3\frac{1}{4}$ "	8	
A190	9067022	Washer, $\frac{1}{8}$ " plain	8	Carrier to cylinder head
	5220701	Nut, $\frac{1}{8}$ " UNF.	8	
B191	5220124	ROCKER SHAFT—Front	1	
B192	5220125	ROCKER SHAFT—Rear	1	
B193	9101807	Plug—Rocker shaft ends	2	
B194	P.103637	Spring—Rocker shaft	2	
B195	1202169	Spacer—Spring	4	
B196	P.103638	Spring—Outer	4	
B197	P.103912	Retaining clip—Spring	4	
B198	P.118877	ROCKER—Nos. 1, 3, 5 and 7	4	
B199	P.118878	ROCKER—Nos. 2, 4, 6 and 8	4	
B200	P.118879 s/d by 1238404	Adjusting screw	8	
B201	9520050	Locknut, $\frac{1}{8}$ " UNF.	8	
A202	P.118883 s/d by 1218378	ROCKER COVER	1	Up to B9118447
	1218378	ROCKER COVER	1	From B9118448 up to 1218426
A203	1218426	ROCKER COVER	1	See * Note
		*Note. From B9204718 S/Top, B9203887 G.T. and B9250157 CKD S/Africa.		
A204	P.118884	Gasket	1	
A205	29804303 s/d by 29804313	Stud, $\frac{1}{4}$ " UNF./UNC. $\times 3\frac{1}{4}$ " } Rocker cover	4	Series I and II
	29804313	Stud, $\frac{1}{4}$ " UNF. $\times 3\frac{1}{8}$ " } to	4	
	9067125	Washer, $\frac{1}{4}$ " plain	4	Series III and IV
	9510041	Nut, $\frac{1}{4}$ " UNF.	4	
D206	P.118909	Tube	1	Series I and II
D207	1208876	Tube	1	Series III
G208	1228005	Tube } Oil	1	Series IV up to B94100000 BU, B94600000 CKD.
	1228078	Tube } Filler	1	
		Tube	1	Series IV from B94100001 BU, B94600001 CKD.

ENGINE (Motor) UNIT — Series I, II, III and IV

Plate Ref.	Part Number	DESCRIPTION	No. per Veh.	REMARKS
		ENGINE (Motor) UNIT—continued		
D209	P.118888	Gasket	1	
	19604052	Screw, 1/4" UNC. x 3/8"	2	Series I and II
	19604051	Screw, 1/4" UNC. x 3/8"	2	Series III and IV
	9067015	Washer, 1/4" plain	2	
D210	P.116892	Cap—Oil filler breather	1	Series I and II
GD211	1207074	Cap—Oil filler	1	Series III and IV
	19605041	Screw, 5/8" UNC. } Blanking rocker	1	From B9204718 S/Top B9203887 G.T.
	9067028	Washer, 5/8" plain } cover holes	1	
	P.48726 s/d by P.106963	WATER PUMP UNIT	1	
	P.106963	WATER PUMP UNIT	1	Series I
	1206900 s/d by 1214754	WATER PUMP UNIT	1	Series II up to 1214754
	1214754	WATER PUMP UNIT	1	Series II from B9115381, B9115397 M/E & Series III and IV
		Note. A service replacement water pump unit is available in part exchange for the original.		
	P.103627	Body	1	Series I
C212	1206901	Body	1	Series II, III and IV
	9805031	Plug, 3/8" B.S.P.—Heater connection	1	Up to 1214677
	P.114229 s/d by 1214677	Fan pulley centre	1	Series II from B9115381, B9115397 M/E & Series III and IV
C213	1214677	Fan pulley centre	1	Series I
	P.84837 s/d by 9198900	*Bearing unit	1	Series II, III and IV
C214	9198901	†Bearing unit	1	
C215	P.103640	*†Screw, 1/4" UNF. x 1/2" Special } Centre	1	
C216	9661161 s/d by 9661163	†Washer, 1/4" spring } bearing	1	
	P.103641	*Impellor	1	Series I
C217	1206906	†Impellor	1	Series II, III and IV
	P.86825	*Seal unit	1	Series I
C218	1202716	†Seal unit	1	Series II, III and IV
C219	P.88402	*†Thrower—Bearing unit	1	
C220	P.103642	Cover plate—Water pump	1	
C221	P.103646	*†Gasket	1	
C222	39105243 s/d by 39115241	Screw, 5/8" UNF. x 1 1/2" Csk. } Cover plate	1	
	9661201 s/d by 9661203	Washer, 5/8" spring } to	1	Series I
C223	9067023	Washer, 5/8" plain } pump	1	Series II, III and IV
C224	5220701	Nut, 5/8" UNF.	1	
	P.48520	WATER PUMP REPAIR KIT } Export (Includes items *)	1	Series I
	5220342	WATER PUMP REPAIR KIT } only (Includes items †)	1	Series II, III and IV
		Thermometer unit—See Electrical section.		
	9166094	Hose	1	Series I & II up to B9104562
C225	1207041 s/d by 5221228	Hose	1	Series II from B9104563 up to Series III
C226	9166100 s/d by 1235977	Hose } By-pass—Water pump	1	Series III up to B9204940
C227	1218594 s/d by 1235977	Hose	1	Series III from B9204941 and Series IV
C228	9781141	Clip	2	

ENGINE (Motor) UNIT — Series I, II, III and IV

Plate Ref.	Part Number	DESCRIPTION	No. per Veh.	REMARKS
		ENGINE (Motor) UNIT—continued		
		WATER PUMP—continued		
C229	P.103653	Gasket	2	} Series I
	19505181	Bolt, $\frac{5}{16}$ " UNF. \times $2\frac{1}{2}$ "	1	
	5220221	Bolt, $\frac{5}{16}$ " UNF. \times $1\frac{3}{8}$ "	3	
C230	19505121	Bolt, $\frac{5}{16}$ " UNF. \times $1\frac{1}{2}$ "	4	} Series II, III and IV
C231	9067023	Washer, $\frac{5}{16}$ " plain	4	
	9661201	s/d by 9661203 Washer, $\frac{5}{16}$ " spring	3	} Series I
	9067023	Washer, $\frac{5}{16}$ " plain	3	
	1202038	s/d by 1218672 THERMOSTAT	1	
	1207099	s/d by 1218672 THERMOSTAT	1	
C232	1214652	THERMOSTAT	1	Up to B9400124
C233	1218672	THERMOSTAT	1	From B9400125
	P.103631	s/d by 1218587 Housing—Thermostat	1	
C234	1207115	s/d by 1218587 Housing—Thermostat	1	Series I and II
C235	1214647	Housing—Thermostat	1	Series III and IV
	P.103658	Gasket } Thermostat housing	1	Series I and II
C236	1214651	Gasket } to cylinder head	1	Series III and IV
C237	1214648	Water outlet pipe	1	Series III and IV
	9810806	Dowel	1	Series III and IV up to B9400124
C238	1214649	Gasket—Water outlet pipe	1	Series III and IV
		Studs		See cylinder head
	9067023	Washer, $\frac{5}{16}$ " plain } Thermostat	5	
	5220701	Nut, $\frac{5}{16}$ " UNF. } housing to	5	
		to } cylinder head		
		EXPANSION BOX AND FITTINGS		See Radiator Section
F241	P.107009	BRACKET—Distributor and Tachometer Drive	1	Series I, II and III
G242	P.103633	s/d by 5220936 BRACKET—Distributor	1	Series IV up to B94102677
G242/1	5220936	BRACKET—Distributor	1	Series IV from B94102678
F243	9107066	Oil seal—Distributor bracket	1	
F244	29705113	Stud, $\frac{5}{16}$ " UNF. \times $1\frac{3}{8}$ "	2	} Up to B9203390
	9661201	s/d by 9661203 Washer, $\frac{5}{16}$ " spring	2	
	5220701	Nut, $\frac{5}{16}$ " UNF.	2	
	19505081	Screw, $\frac{5}{16}$ " U.N.F.	2	} From B9203391, B9250157 H/C.G.T. C.K.D.
	9067023	Washer, $\frac{5}{16}$ " plain	2	
		to } cylinder block		} B9250241 H/C Std. C.K.D.
		to }		
F245	P.107017	TACHOMETER (Rev. Counter) GEAR	1	} Series I, II and III
F246	P.107010	Cover	1	
F247	P.107013	Gasket	1	
	19503041	Screw, No. 10 UNF. \times $\frac{1}{2}$ "	2	
	9661121	Washer, $\frac{5}{16}$ " spring	2	
		Distributor shaft pinion		See Electrical Section

ENGINE (Motor) AUXILIARIES — Series I, II, III and IV

Plate Ref.	Part Number	DESCRIPTION	No. per Veh.	REMARKS
		Note. Solex Twin Choke Single Carburettor fitted to S/Top Models from B9204718 and G.T. Models from B9203887 and B9250157 CKD S/Africa.		
		Note. The following parts are not supplied with Engine (Motor) Unit.		
	5220136 s/d by 5220647	TOP OVERHAUL GASKET SET	1	Series I
	5220371 s/d by 5220617	TOP OVERHAUL GASKET SET	1	
	5220455 s/d by 5220617	TOP OVERHAUL GASKET SET	1	Series II up to B9117424
	5220617	TOP OVERHAUL GASKET SET	1	Series II from B9117425 up to Series III
	5220736 s/d by 5220822	TOP OVERHAUL GASKET SET	1	Series III up to 5220787
	5220787 s/d by 5220822	TOP OVERHAUL GASKET SET	1	
	5220822	TOP OVERHAUL GASKET SET	1	Series III from B9204718 S/Top. B9203887 G.T. B9250157 CKD S/Africa and Series IV
		Note. The above Gasket sets include cylinder head, thermostat housing, tappet cover, rocker cover, oil filter tube, carburettor, induction and exhaust manifold, water pump, expansion box joints and valve sealing rings, with the exception of Series III and IV which are less expansion box joints.		
		MANIFOLDS, CARBURETTORS AND AIR CLEANERS (Series I, II and III with Zenith twin carburettors)		
		MANIFOLDS		
	5220100 s/d by 5220580	INDUCTION MANIFOLD	1	
	5220475 s/d by 5220580	INDUCTION MANIFOLD	1	
	5220506 s/d by 5220580	INDUCTION MANIFOLD	1	
D248	5220580	INDUCTION MANIFOLD	1	
	9101832	Sealing cup	1	
		Check valve	1	} See Brakes and Controls
		Gasket—Check valve	1	
D249	5220148	Water pipe—Induction manifold to cylinder head	1	
D250	9157113	Olive } Cylinder head	1	
D251	9156071	Nut } end	1	
D252		Banjo union—Manifold end	1	Not supplied
D253	9159528	Banjo bolt	1	
D254	9078039	Washer (Top) } Pipe to manifold	1	
D255	9078032	Washer (Bottom) }	1	
D256	9151232	Union—Pipe to cylinder head	1	
D257	9077039	Washer—Union	1	
	P.112594 s/d by 9166513	Hose } Water pump to	1	Series I
CD258	9166512	Hose } induction manifold	1	Series II, III and IV
C259	1201564	"Y" piece	1	
C260	9169001	Hose connector—Water pump	1	Not required when heater is fitted

ENGINE (Motor) AUXILIARIES -- Series I, II, III and IV

Plate Ref.	Part Number	DESCRIPTION	No. per Veh.	REMARKS
		MANIFOLDS, ETC. (Zenith twin carburetors)—continued		
D261	1200210 s/d by 9169015	Hose connector } Induction	1	
	9169015	Hose connector } manifold	1	
CD262	9781121 s/d by 9788121	Clip—Hose	2	Up to B94103187
D263	9788121	Clip—Hose	2	From B94103188
	P.118891	Locating ring—Inlet manifold	2	
	19405441	Bolt, $\frac{5}{8}$ " UNC. \times $5\frac{1}{2}$ "	1	Up to B9104227 H/C and B9104334 H/C, M/E
	9067023	Washer, $\frac{5}{8}$ " plain ... Inlet manifold	1	
	19406441	Bolt, $\frac{3}{8}$ " \times $5\frac{1}{2}$ " ... } cylinder head	1	From B9104228 H/C and B9104335 H/C, M/E
D264	9067037	Washer, $\frac{3}{8}$ " plain ... }	1	
	P.115862	Drain pipe—Inlet (Intake) manifold	1	
D265	9156515	Nut } Drain	1	
D266	9157104	Olive } pipe	1	
D267	9187026 s/d by 5220718	Ball—Drain pipe	1	
	1201059 s/d by 1214643	EXHAUST MANIFOLD	1	
	1206789 s/d by 1214643	EXHAUST MANIFOLD } Inner	1	
	1208764 s/d by 1214643	EXHAUST MANIFOLD	1	
D268	1214643	EXHAUST MANIFOLD	1	Series I and II, also Series III S/Top with Standard Air Cleaner
	1201167 s/d by 1208809	EXHAUST MANIFOLD } Outer	1	
	1206766 s/d by 1208809	EXHAUST MANIFOLD	1	
	1206790 s/d by 1208809	EXHAUST MANIFOLD	1	
D269	1208809	EXHAUST MANIFOLD	1	Series I & II, also Series III S/Top with Std. Air Cleaner
D270	1208796	EXHAUST MANIFOLD	1	Series III S/Top with M/E Air Cleaner and all G.T. models
	1201082 s/d by 5220646	Gasket	1	
	1208795 s/d by 5220646	Gasket	1	Up to 5220646
D271	5220646	Gaskets (Pair)	1	From B9117425
D272	29805104	Stud, $\frac{5}{8}$ " UNF./UNC. \times $1\frac{1}{2}$ "	4	Series I & II, also Series III S/Top with Std. Air Cleaner
	29805134	Stud, $\frac{5}{8}$ " UNF./UNC. \times $1\frac{1}{2}$ " } Inlet and Exhaust manifolds to cylinder head	2	Series III S/Top with M/E Air Cleaner and all G.T. models
	29805244	Stud, $\frac{5}{8}$ " UNF./UNC. \times $3\frac{1}{4}$ " }	2	
D273	29805144	Stud, $\frac{5}{8}$ " UNF./UNC. \times $1\frac{1}{2}$ "	2	Up to B9104227 H/C and B9104334 H/C, M/E
	9067023	Washer, $\frac{5}{8}$ " plain	6	
	9067023	Washer, $\frac{5}{8}$ " plain	4	From B9104228 H/C and B9104335 H/C, M/E
	5220702	Nut, $\frac{5}{8}$ " UNF.	4	
D274	1201716	Clamp—Exhaust manifold	1	
	19405143	Bolt, $\frac{5}{8}$ " UNC. \times $1\frac{1}{8}$ " } Clamp to	1	
	9067023	Washer, $\frac{5}{8}$ " plain } head	1	
D275	1201168	Clamp	2	Up to 1214539
	P.80515 s/d by 1214539	Clamp	2	
D276	1214539	Clamp	2	From B9104228 H/C and B9104335 H/C, M/E, also Series III S/Top with Std. Air Cleaner
D277	19406481	Bolt, $\frac{3}{8}$ " UNC. \times 6"	2	
D278	9067037	Washer, $\frac{3}{8}$ " plain } Manifolds	2	
D279	1208798	Clamp	2	
D280	19406481	Bolt, $\frac{3}{8}$ " UNC. \times 6"	2	Series III S/Top with M/E Air Cleaner and all G.T. models
	9067037	Washer, $\frac{3}{8}$ " plain	2	
D281	29900249	Stud, Special ... } Exhaust manifold	2	
	9067037	Washer, $\frac{3}{8}$ " plain } to	2	
	9029141	Nut, $\frac{3}{8}$ " UNF. ... } Exhaust pipe	2	

ENGINE (Motor) AUXILIARIES — Series I, II, III and IV

Plate Ref.	Part Number	DESCRIPTION	No. per Veh.	REMARKS
		MANIFOLDS, ETC. (Zenith twin carburettors)—continued		
		CARBURETTOR		
		CARBURETTOR—See Carburettor section		
D282	P.111631 s/d by 1214524	Gasket	2	} Alternatives
	1208854 s/d by 1214524	Gasket	2	
	1214524	Gasket	2	
D283	29805113	Stud, $\frac{3}{8}$ " UNF./UNC. to induction manifold	4	
	9067023	Washer, $\frac{3}{8}$ " plain	4	
	9067022	Washer, $\frac{3}{8}$ " plain	4	
	5220701	Nut, $\frac{3}{8}$ " UNF.	4	
		SUCTION PIPE—See Distributor		
		AIR CLEANER (Standard) ...		
F284	1202043 s/d by 1202412	AIR CLEANER	2	} Series I and II
	1202412	AIR CLEANER	2	
	1208711	AIR CLEANER	2	} Series II Le-Mans
F285	1218380	AIR CLEANER (Front)	1	
F286	1218381	AIR CLEANER (Rear)	1	} Series III
	1208878	Breather pipe—Air cleaners to rocker cover	1	
F287	9783381	Clip—Air cleaner to carburettor	2	
		AIR CLEANER (Micro Element)		
H288	1201425	AIR CLEANER	1	} Series I and II
H289	5037465	Centre bolt	1	
H290	5037466	Spring	1	
H291	9067404	Seating washer—Spring	1	
H292	9122201	Sealing washer—Centre bolt (No longer available)	1	
H293	9122182	Gasket	2	
H294	5037467 s/d by 5038483	Filter element	1	
H295	1206389	AIR CLEANER	1	} Series III
H296	5038483	Element	1	
H297	5040667	Retainer—Element	1	
H298	9122182	Rubber gasket	2	
H299	9078077	Gasket	1	
H300	9050115	Screw	1	
H301		Shell assembly		} Not supplied
H302		Bottom plate assembly		
H303	1201502 s/d by 1218582	Clip—Cleaner to bracket	1	
H304	1201426	Support bracket—Air cleaner	1	
	19503041	Bolt, No. 10 UNF. $\times \frac{1}{2}$ "	3	} Support bracket to wheelarch
	9663122 s/d by 9663123	Washer, $\frac{3}{8}$ " shakeproof	3	
	5220700	Nut, No. 10 UNF.	3	
H305	1201428	HOSE—Air cleaner to air box	1	
H306	9782461	Clip—Hose	2	
H307	1201429	AIR BOX	1	} Series I and II
H308	1214592	AIR BOX	1	
H309	9783381	Clip—Air box to carburettors	2	} Series III
H310	1214598	Breather pipe—Air box to rocker cover	1	

ENGINE (Motor) AUXILIARIES — Series I, II, III and IV

Plate Ref.	Part Number	DESCRIPTION	No. per Veh.	REMARKS
		MANIFOLDS, CARBURETTOR AND AIR CLEANER (Series III and IV with Solex twin choke single carburettor)		
		MANIFOLDS		
	5220807 s/d by 5220922	INDUCTION MANIFOLD	1	Series III Series IV up to B9403545 S/Top B9403543 G.T.
	5220819 s/d by 5220922	INDUCTION MANIFOLD	1	
	9102832	Sealing cup	1	
	9805432	Plug—Blanking Servo outlet	1	
	5220914 s/d by 5220922	INDUCTION MANIFOLD (See Parts Data 2A/282)	1	Series IV from B9403544 G.T. B9403546 S/Top up to B94100437
	9101832	Sealing cup	1	
E311	9803160	Plug (Not required when Drain pipe is fitted)	1	
	9805432	Plug	1	
E312	5220922	INDUCTION MANIFOLD	1	From B94100438 (S/Top— Venezuela pack No. 1 B94600001 CKD)
	9101832	Sealing cup	1	
	9803160	Plug (Not required when Drain pipe is fitted)	1	
	9805432	Plug	1	
E313	1218727 s/d by 1228017	Ventilation valve	1	Series III
E314	9166259	Hose—Ventilation valve to oil filter tube	1	
	1224291 s/d by 1228017	Ventilation valve	1	Series IV up to B9410063 Series IV up to B9406340
	1228003 s/d by 9166278	Hose—Ventilation valve to tappet cover	1	
G315	1228017	Ventilation hose	1	Series IV from B9410064
G315/1	5043860	Relief spring—Ventilation valve	1	
G316	9166278	Hose—Ventilation valve to tappet cover	1	Series IV from B9406341 Series IV up to B94100000
G317	1228010	Breather hose } Carburettor to	1	
	1228012	Breather hose } flame trap	1	Series IV from B94100001
G318	1228004	FLAME TRAP	1	
G319	9176060	Clip—Flame trap	1	Series IV
G320	1228009	Breather hose } Flame trap to	1	
	9166275	Breather hose } oil filler tube	1	Series IV up to B94100000 Series IV from B94100001
G321	1228011	Clip—Flame trap to rocker cover	1	
	19503031	Screw, No. 10 UNF. × 3/8"	1	Up to B94100000 BU, B94600000 CKD.
	9067010 s/d by 9096073	Washer, 3/8" plain	1	
	9510030 s/d by 5220700	Nut, No. 10 UNF.	1	
	1228018 s/d by 1235108	Support sleeve—Breather hose	1	Series IV from B94100001 BU up to B94103288 BU and from B94600001 CKD.
	1235108	Support sleeve—Breather hose	1	
	39313081	Screw, No. 10 × 1/4" pan hd. } Support	1	Series IV from B94100001 BU, B94600001 CKD.
	9557037	Nut, No. 10 UNF. ... } sleeve	1	
		Check valve	1	See Brakes and Controls section
		Adaptor	1	
		Gasket—Check valve and adaptor	1	
E322	5220148	Water pipe—Induction manifold to cylinder head	1	Not supplied
E323	9157113	Olive } Cylinder	1	
E324	9156071	Nut } head end	1	
E325		Banjo union—Manifold end	1	

ENGINE (Motor) AUXILIARIES — Series I, II, III and IV

Plate Ref.	Part Number	DESCRIPTION	No. per Veh.	REMARKS
		MANIFOLDS, ETC. (Solex twin choke single carburettor)—cont.		
E326	9159528	Banjo bolt ...	1	
E327	9078039	Washer (Top) ...	1	
E328	9078032	Washer (Bottom) ...	1	
E329	9151232	Union—Pipe to cylinder head ...	1	
E330	9077039	Washer—Union ...	1	
CE331	9166512	Hose—Water pump to induction manifold ...	1	
C332	1201564	“Y” piece ...	1	
C333	9169001	Hose connector—Water pump ...	1	Not required when heater is fitted
E334	9169015	Hose connector—Induction manifold ...	1	
	9781121	Clip—Hose ...	2	Up to B94103187
CE335	9788121	Clip—Hose ...	2	From B94103188
E336	P.118891	Locating ring—Inlet manifold ...	2	
E337	1218589	Drain pipe ...	1	
E338	9156515	Nut ...	1	Series III
E339	9157104	Olive ...	1	
	9178026	Clip } Drain pipe to ...	1	Series III G.T.
	9178023	Clip } exhaust pipe ...	1	Series III S/Top
	1218589	Drain pipe ...	1	
	9156515	Nut ...	1	Series IV from
	9157104	Olive ...	1	B9403544 G.T.,
	9178026	Clip } Drain pipe to ... (G.T.)	1	B9403546 S/Top
	9178023	Clip } exhaust pipe ... (S/Top)	1	
E340	1214643	EXHAUST MANIFOLD—INNER ...	1	Series III S/Top
E341	1218661	EXHAUST MANIFOLD—OUTER ...	1	
E342	1218646	EXHAUST MANIFOLD ...	1	Series III G.T.
E343	1218621	EXHAUST MANIFOLD ...	1	Series IV
E344	5220646	Gaskets (Pair) ...	1	
	29805134	Stud, $\frac{1}{8}$ " UNF./UNC. \times $1\frac{1}{2}$ " ...	2	Series III G.T.
	29805244	Stud, $\frac{1}{8}$ " UNF./UNC. \times 3" ...	2	
	29805104	Stud, $\frac{1}{8}$ " UNF./UNC. \times $1\frac{1}{2}$ " ...	4	Series III S/Top
E345	29805134	Stud, $\frac{1}{8}$ " UNF./UNC. \times $1\frac{1}{2}$ " ...	2	Series IV
E346	29805244	Stud, $\frac{1}{8}$ " UNF./UNC. \times 3" ...	2	
	9067023	Washer, $\frac{1}{8}$ " plain ...	4	Induction and exhaust manifold to cylinder head ...
	5220702	Nut, $\frac{1}{8}$ " UNF. ...	4	
	19406111	Bolt, $\frac{3}{8}$ " UNC. \times $1\frac{1}{2}$ " ...	3	
	9067037	Washer, $\frac{3}{8}$ " plain ...	3	
E347	1201716	Clamp ...	1	
E348	19405143	Bolt, $\frac{1}{8}$ " UNC. \times $1\frac{1}{2}$ " ...	1	
E349	9067023	Washer, $\frac{1}{8}$ " plain ...	1	
E350	1218696	Support bracket—Front ...	1	Series IV
E351	1218752	Support bracket—Rear ...	1	
	29900416	Stud, Special ...	2	Series IV up to B94100437
	9067038	Washer, $\frac{3}{8}$ " plain ...	2	
	5220703	Nut, $\frac{3}{8}$ " UNF. ...	2	
	1228119	Support bracket—Rear ...	1	
	19106121	Bolt, $\frac{3}{8}$ " UNF. \times $1\frac{1}{2}$ " ...	1	Series IV from B94100438
	9067038	Washer, $\frac{3}{8}$ " plain ...	2	(S/Top Venezuela Pack
	5220703	Nut, $\frac{3}{8}$ " UNF. ...	1	No. 1 B94600001 CKD)
	29900416	Stud, Special ...	1	
	9067038	Washer, $\frac{3}{8}$ " plain ...	1	
	5220703	Nut, $\frac{3}{8}$ " UNF. ...	1	

ENGINE (Motor) AUXILIARIES — Series I, II, III and IV

Plate Ref.	Part Number	DESCRIPTION	No. per Veh.	REMARKS
		MANIFOLDS, ETC. (Solex twin choke single carburettor)—cont.		
E352	29900249	Stud, special	2	} Series III G.T.
	9067037	Washer, 3/8" plain	2	
	9029141	Nut, 3/8" UNF.	2	
		Exhaust manifold to exhaust pipe		
E353	29705123	Stud, Special	4	} Series IV
	9029207	Nut, 1/8" UNF. (Brass)	4	
		CARBURETTOR		
		Carburettor—See Carburettor Section		
E354	1218455	Insulating washer	1	} Series III and IV up to intro. 1218769/70
E355	1218456	Gasket	2	
	1218769	Insulating washer	1	} Series IV from B94100001 BU, B94600001 CKD.
	1218770	Gasket	2	
E356	29805131	Stud, 1/8" UNF./UNC.	4	} Series III, also Series IV up to B94102739 Standard Transmission
	29805131	Stud, 1/8" UNF./UNC.	2	
	29900445	Stud, 1/8" UNF./UNC.—Carburettor and Cross-shaft to induction manifold	2	} Series IV Automatic Transmission
	9067023	Washer, 1/8" plain	4	
	5220701	Nut, 1/8" UNF.	4	} Automatic Transmission ; also Std. Transmission up to B94102739 Standard Transmission from B94102740
	19405091	Bolt, 1/8" UNC. x 1 1/8"	4	
		SUCTION PIPE—See Distributor		
		AIR CLEANER (Standard)		
G357	1218447	AIR CLEANER	1	
G358	1218453	Clip—Air cleaner to carburettor	1	
		AIR CLEANER (Micro Element)		
G359	1218578	AIR CLEANER	1	} Series III and IV up to B94100000 BU, B94600000 CKD.
G360	5038483	Element	1	
G361	5040667	Retainer—Element	1	
G362	9122182	Rubber gasket	2	
G363	9078077	Gasket	1	
G364	9050115	Screw	1	
G365		Shell assembly (Not supplied)		
G366		Bottom plate assembly (Not supplied)		
G367	1218579	Elbow—Air intake	1	
G368	9782461	Clip } Elbow to	1	
	9780005	Clip } air cleaner	1	
G369	1218452	Clip—Elbow to carburettor	1	} Alternatives
G370	1218586	Bracket—Air cleaner	1	
	19503031	Screw, No. 10 UNF. x 3/8"	2	} Series III & IV up to B94100000 BU, B94600000 CKD.
	9663122	Washer, 3/8" shakeproof	2	
G371	1218582	Clip—Air cleaner to bracket	1	
	9000219	Screw, 1/8" UNF. x 1/2"	1	} Air cleaner to radiator support panel
	9067027	Washer, 1/8" plain	1	
	9020052	Spire nut	1	

ENGINE (Motor) AUXILIARIES — Series I, II, III and IV

Plate Ref.	Part Number	DESCRIPTION	No. per Veh.	REMARKS
		MANIFOLDS, ETC. (Solex twin choke single carburettor)—cont.		
G359/1	1228103	AIR CLEANER	1	Series IV from B94100001 BU, B94600001 CKD.
G360/1	5043370	Cover and air box assembly	1	
G361/1	5043371	Base plate assembly	1	
G362/1	5042552	Element and seal	1	
G363/1	5043372	Seal—Air cleaner to carburettor	1	
G364/1	1228104	Mounting bracket	1	
	9067027	Washer, $\frac{1}{8}$ " plain } Bracket to	2	
	9551050	Nut, $\frac{1}{8}$ " Nyloc } rocker cover	2	
G365/1	1228106	Mounting rubber	1	
G366/1	9087123	Distance piece	1	
	9067058	Washer, $\frac{1}{8}$ " plain } Air cleaner to bracket	1	
	9067029	Washer, $\frac{1}{8}$ " plain	1	
	9552053	Nut, $\frac{1}{8}$ " Nyloc	1	
G367/1	1218452	Clip—Cleaner to carburettor	1	
		OIL COOLER		
H372	1201367	OIL COOLER	1	Series II Le-Mans For other models see Special Accessories Section
H373	1201366	Adaptor plate (No longer available)	1	
H374	1207973	Gasket—Adaptor plate	2	
H375	1201368	Support bracket	2	
	19004045	Bolt, $\frac{1}{4}$ " BSF. \times $1\frac{1}{2}$ "	4	
	9067015	Washer, $\frac{1}{4}$ " plain } Oil cooler	4	
	9664162	Washer, $\frac{1}{4}$ " shakeproof } to bracket	4	
	9600041	Nut, $\frac{1}{4}$ " BSF.	4	
	19004045	Bolt, $\frac{1}{4}$ " BSF. \times $\frac{1}{2}$ " } Support brackets	4	
	9664162	Washer, $\frac{1}{4}$ " shakeproof } to	4	
	9600041	Nut, $\frac{1}{4}$ " BSF. ... } body	4	
H376	1201369	OIL PIPE—Engine (Motor) Unit to Cooler	1	
H377	1201370	OIL PIPE—Cooler to Engine (Motor) Unit	1	
H378	9152007	Union—Oil pipe	2	
H379	5220713	Washer—Union	2	
	19105221	Bolt, $\frac{5}{16}$ " UNF. \times $2\frac{1}{4}$ "—Filter and adaptor plate to cylinder block	4	Replaces oil filter bolts
		DYNAMO (Generator)		
		DYNAMO (Generator)—See Electrical Section		
C380	P.112178	Adjuster strap	1	Series I and II up to B9119479 Series II from B9119480 and Series III and IV
	P.103911	Pulley	1	
F381	1214656	Pulley c/w ventilator ... } Dynamo (Generator)	1	
	P.114267	Support bracket	1	
F382	1206770	Support bracket	1	
	5220686	Bolt, $\frac{3}{8}$ " UNF. \times $\frac{3}{4}$ " } Bracket to	2	
	9661241	Washer, $\frac{3}{8}$ " spring } cylinder block	2	
	19605071	Bolt, $\frac{3}{8}$ " UNC. \times $\frac{7}{8}$ " } Dynamo (Generator)	1	
	9067027	Washer, $\frac{3}{8}$ " plain } to adjusting strap	1	
	19505081	Bolt, $\frac{3}{8}$ " UNF. \times $1"$ } Dynamo (Generator)	2	
	9661201	Washer, $\frac{3}{8}$ " spring } to	2	
	5220701	Nut, $\frac{3}{8}$ " UNF. } support bracket	2	

ENGINE (Motor) AUXILIARIES — Series I, II, III and IV

Plate Ref.	Part Number	DESCRIPTION	No. per Veh.	REMARKS
		STARTER		
		STARTER MOTOR—See Electrical Section		
	19106203	Bolt, $\frac{3}{8}$ " UNF. \times $2\frac{1}{2}$ "	2	Up to B9106936 From B9106937
	19106223	Bolt, $\frac{3}{8}$ " UNF. \times $2\frac{1}{2}$ " } Starter to ...	2	
	9661241 s/d by 5221254	Washer, $\frac{3}{8}$ " spring } cylinder block ...	2	
	5220703	Nut, $\frac{3}{8}$ " UNF. ... } ...	2	
		DRAIN TAP		
A383	9214001	DRAIN TAP ...	1	
A384	1200069	Drain tube c/w adaptor ...	1	
A385	9151206	Union ...	1	
A386	9156058	Nut } Drain tube to cylinder block ...	1	
A387	5220717	Olive } ...	1	
A388	9117043	Grommet—Drain tube ...	1	
		FAN		
	P.111343 s/d by 1201193	FAN BLADE ...	1	
C389	1201193	FAN BLADE ...	1	Series I and II
C390	1214675	FAN BLADE ...	1	Series III and IV
	P.107799	Fan pulley ...	1	Series I
C391	1206902	Fan pulley ...	1	Series II, III and IV
	9660161 s/d by 9660163	Washer, $\frac{1}{2}$ " spring } Fan to ...	4	
	5220695	Screw, $\frac{1}{2}$ " UNF. \times $\frac{1}{2}$ " } pulley ...	4	
	P.103652 s/d by 9226505	Belt—Fan and dynamo (generator) ...	1	
F392	1214758 s/d by 9226505	Belt—Fan and dynamo (generator) ...	1	
		DISTRIBUTOR (Series I, II and III with Zenith Twin Carburettors)		
		DISTRIBUTOR—See Electrical Section		
		Bracket—Distributor—See Engine (Motor) Unit		
	19604051	Bolt, $\frac{1}{2}$ " UNC. \times $\frac{3}{8}$ " ... } Distributor ...	2	
	9086003	Washer, $\frac{1}{2}$ " D.C. spring } to bracket ...	2	
F393	1200362	SUCTION PIPE—Distributor Auto Control ...	1	
F394	9156050	Nut } Distributor ...	1	
F395	9157100	Olive } end ...	1	
	P.111687 s/d by 9166270	Connector—Suction pipe to carburettor ...	1	
F396	9176000	Clip—Suction pipe to cylinder block ...	1	
	P.89609	Clip—Suction pipe to petrol pipe ...	1	Series III

ENGINE (Motor) AUXILIARIES — Series I, II, III and IV

Plate Ref.	Part Number	DESCRIPTION	No. per Veh.	REMARKS
		DISTRIBUTOR (Series III and IV with Solex Twin Choke Single Carburettor)		
		DISTRIBUTOR—See Electrical Section		
		Bracket—Distributor—See Engine (Motor) Unit		
	19604051	Bolt, 1/2" UNC. x 3/8" ... } Distributor	2	} Up to B94102677
	9086003	Washer, 1/2" D.C. spring } to bracket	2	
	19604051	Bolt, 1/2" UNC. x 3/8" ... } Distributor	1	} From B94102678
	9086003	Washer, 1/2" D.C. spring } to bracket	1	
	1218561	s/d by 1238581 SUCTION PIPE—Distributor Auto Control	1	} For replacement purposes use 1238581 together with Clip, Sleeve and Elbow Up to B9407142 From B9407143
	1218539	Elbow } Suction	2	
	9176000	Clip } pipe	1	
G397	9232133	s/d by 1238581 SUCTION PIPE—Distributor Auto Control (Nylon)	1	
	9232137	s/d by 1238581 SUCTION PIPE—Distributor Auto Control (Nylon)	1	
G398	1218539	Elbow } Suction	1	} Up to B94100000 BU, B94600000 CKD.
G399	1218538	Sleeve } pipe	1	
	9176000	Clip—Suction pipe to tappet cover	1	
	9176001	Clip—Suction pipe to cylinder head	1	
		IGNITION COIL		
		IGNITION COIL—See Electrical Section		
	1200236	s/d by 1208861 Bracket } Ignition	1	} Series I and II Up to B9105197 H/C, B9105415 L/C, B9105422 H/C, M/E From B9105198 H/C B9105416 L/C, B9105423 H/C, M/E up to Series III
F400	1208861	Bracket } coil	1	
	9067027	Washer, 3/8" plain	4	
	9078012	Washer, fibre	2	
	19405061	s/d by 5220697 Bolt, 3/8" UNC. x 1/2" ... } Bracket to cylinder head	2	
	29805101	Stud, 3/8" UNF. x 1 1/2"	2	
	9067028	Washer, 3/8" plain	3	
	5220701	Nut, 3/8" UNF.	3	
	5220684	Screw, 3/8" UNF. x 3/8"	2	
	9067027	Washer, 3/8" plain ... } Coil to	2	
	9661201	s/d by 9661203 Washer, 3/8" spring ... } bracket	2	
	5220701	Nut, 3/8" UNF.	2	} Not required Series III & IV
	19605051	Screw, 3/8" UNF. x 3/8" ... } For blanking (Bracket to	2	
	9077014	Washer, 3/8" plain ... } cylinder head holes)	2	
		SPARKING PLUGS		
		SPARKING PLUGS } See Electrical		
		High tension cable } Section		
		PETROL (Fuel) PUMP		
		PETROL (Fuel) PUMP—See Petrol (Fuel) Pump Section		
		PETROL (Fuel) PIPES—See Petrol (Fuel) System Section		
		Gasket }		} See Petrol (Fuel) Pump
		Insulator }		
		Stud } Petrol (Fuel) Pump to Cylinder Block		
		Washer }		
		Nut }		

ENGINE (Motor) AUXILIARIES — Series I, II, III and IV

Plate Ref.	Part Number	DESCRIPTION	No. per Veh.	REMARKS	
OIL GAUGE					
OIL GAUGE—See Electrical Section					
F401	P.101071	Flexible oil pipe	1	} Up to B9201812 R.H.D. B9201703 L.H.D.	
F402	1201334	Oil pipe—R.H.D. } Flexible pipe	1		
	1201356	Oil pipe—L.H.D. } to gauge	1		
F403		Nipple } Gauge	(Not supplied)		
F404	9156007	Nut } end	1		
F405		Union—Flexible end	(Not supplied)		
	9168001	s/d by 9168033	Oil pipe } Oil gauge to cylinder		1
G406	9168033		Oil pipe } block oil pipe, R.H.D.		1
	9168003	s/d by 9168035	Oil pipe } ...		1
	9168026	s/d by 9168036	Oil pipe } Oil gauge to cylinder		1
	9168036		Oil pipe } block oil pipe, L.H.D.	1	
	P.107829	s/d by 1207968	Oil pipe } ...	1	
FG407	1207968		Oil pipe } Flexible pipe to	1	
FG408	9157104		Oil pipe } cylinder block	1	
	9156053	s/d by 9156054	Olive } ...	2	
FG409	9156054		Nut } Oil pipe	2	
FG410	9151233		Nut } ...	2	
	9176006		Union adaptor } Pipe to	1	
	9118528		Clip } block	1	
	9118527		Grommet } Oil gauge	1	
F411	9176001		Grommet } pipe	1	
			Clip—Pipe to dash	1	
FRONT ENGINE (Motor) MOUNTING					
ENGINE (Motor) SUPPORT PLATE—FRONT					
F412	1201437	Support rubber—Front	2	} See Engine (Motor) Unit	
	9664202	s/d by 9664203	Washer, $\frac{5}{16}$ " shakeproof } Support rubber		4
	9067027		Washer, $\frac{5}{16}$ " plain } to plate		4
	5220701		Nut, $\frac{5}{16}$ " UNF. } ...		4
	19505061	s/d by 19505062	Screw, $\frac{5}{16}$ " UNF. $\times \frac{1}{2}$ " } ...		4
	5220684		Screw, $\frac{5}{16}$ " UNF. $\times \frac{3}{4}$ " } ...		4
	9664202	s/d by 9664203	Washer, $\frac{5}{16}$ " shakeproof } Support rubber to crossmember		4
	9067027		Washer, $\frac{5}{16}$ " plain } ...		4
TORQUE RESTRICTOR (Series II Le-Mans)					
D413	1206317	Restrictor arm	1		} Series II Le-Mans
D414	P.113421	Rubber—Restrictor	1		
	9067037	Washer, $\frac{3}{8}$ " plain	2		
	9664242	Washer, " shakeproof	2		
	5220703	Nut, $\frac{3}{8}$ " UNF.	2		

Publication No. 660992

SECTION AA

ENGINE (Motor) UNIT and ENGINE (Motor) AUXILIARIES (1725)

2nd Issue Lit. 023

ENGINE (Motor) AND AUXILIARIES (1725)

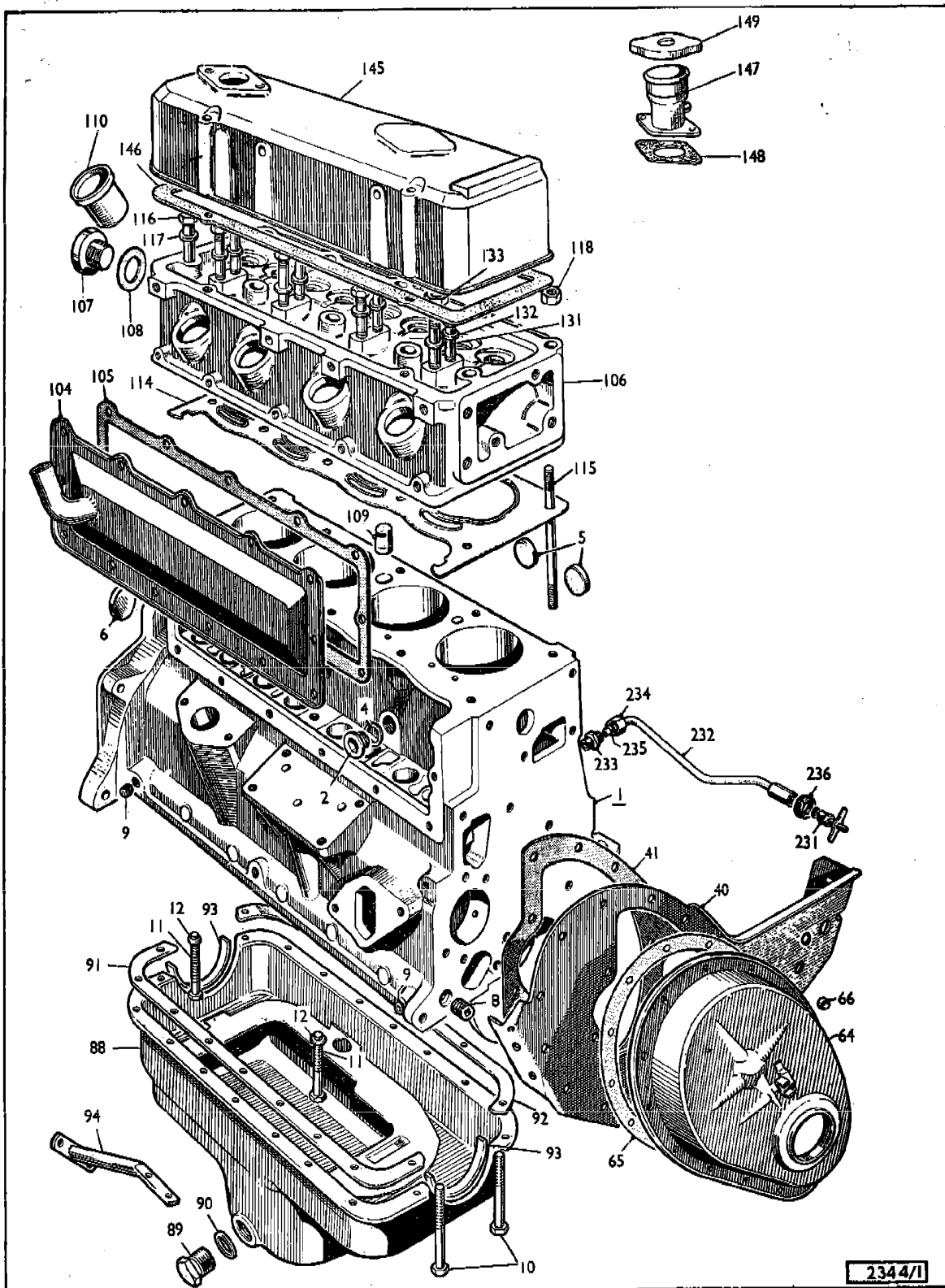


PLATE A — SECTION AA

Lit. 023

ENGINE (Motor) AND AUXILIARIES (1725)

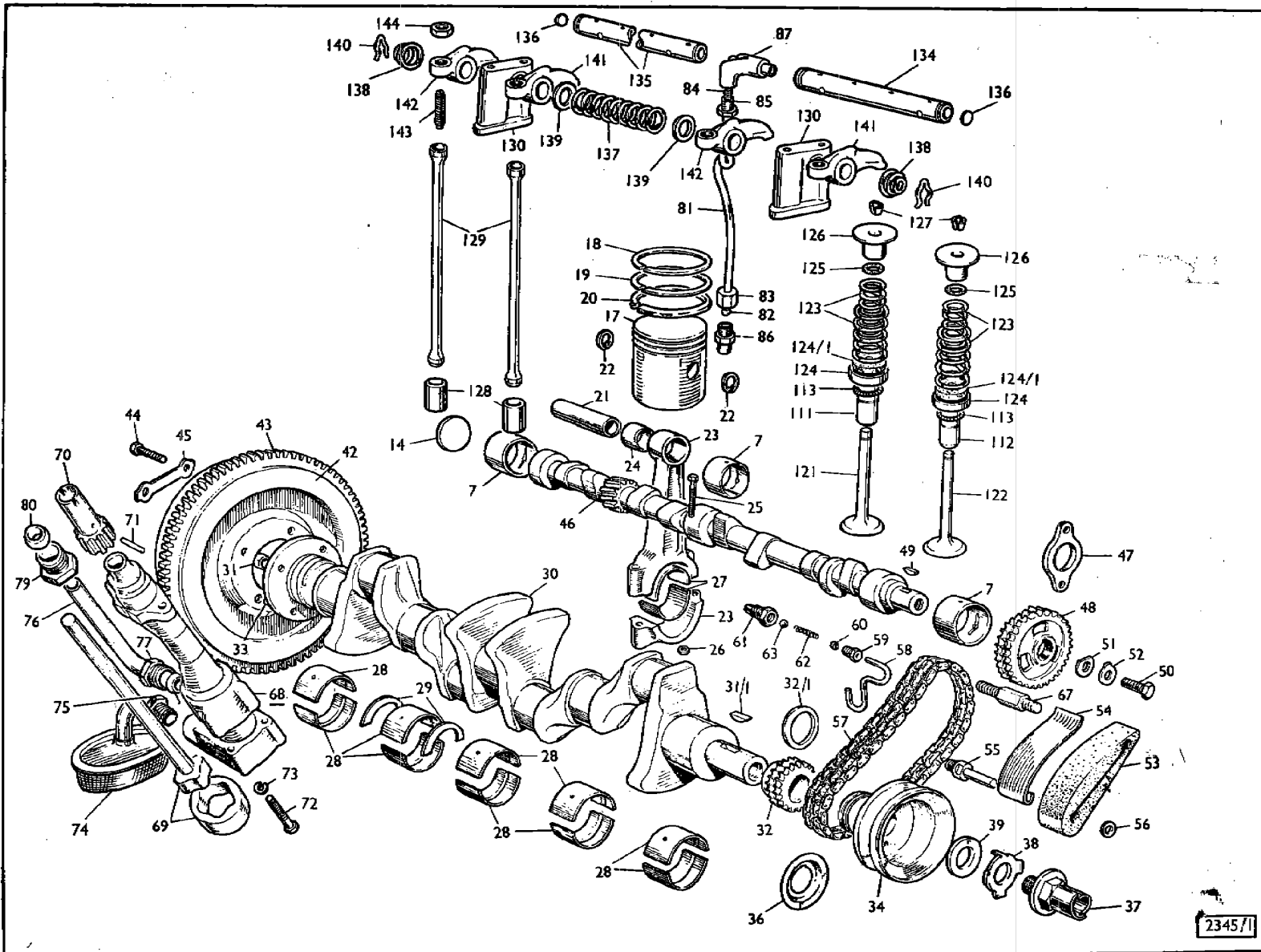


PLATE B - SECTION AA

Lit. 023

2345/1

ENGINE (Motor) AND AUXILIARIES (1725)

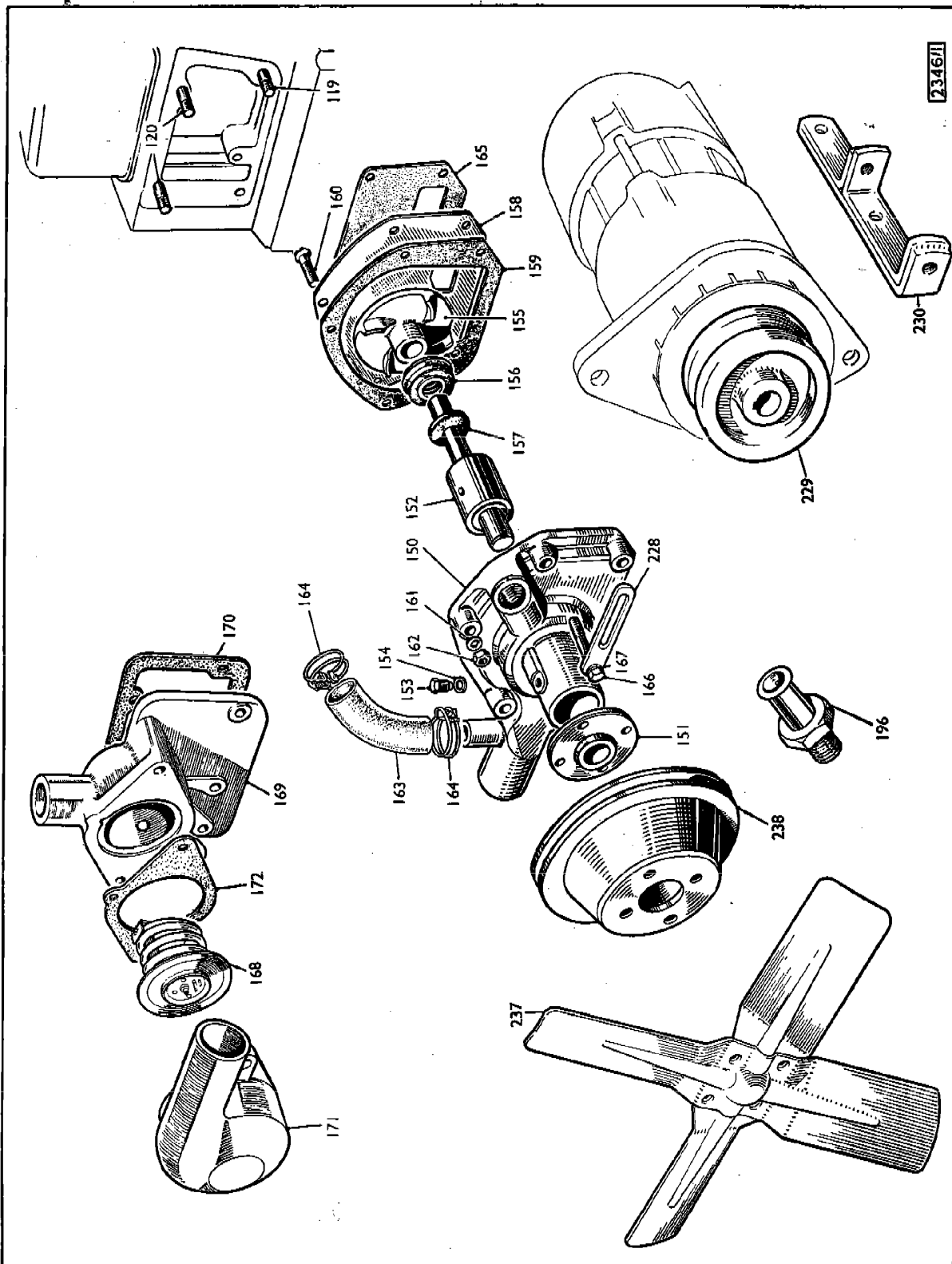
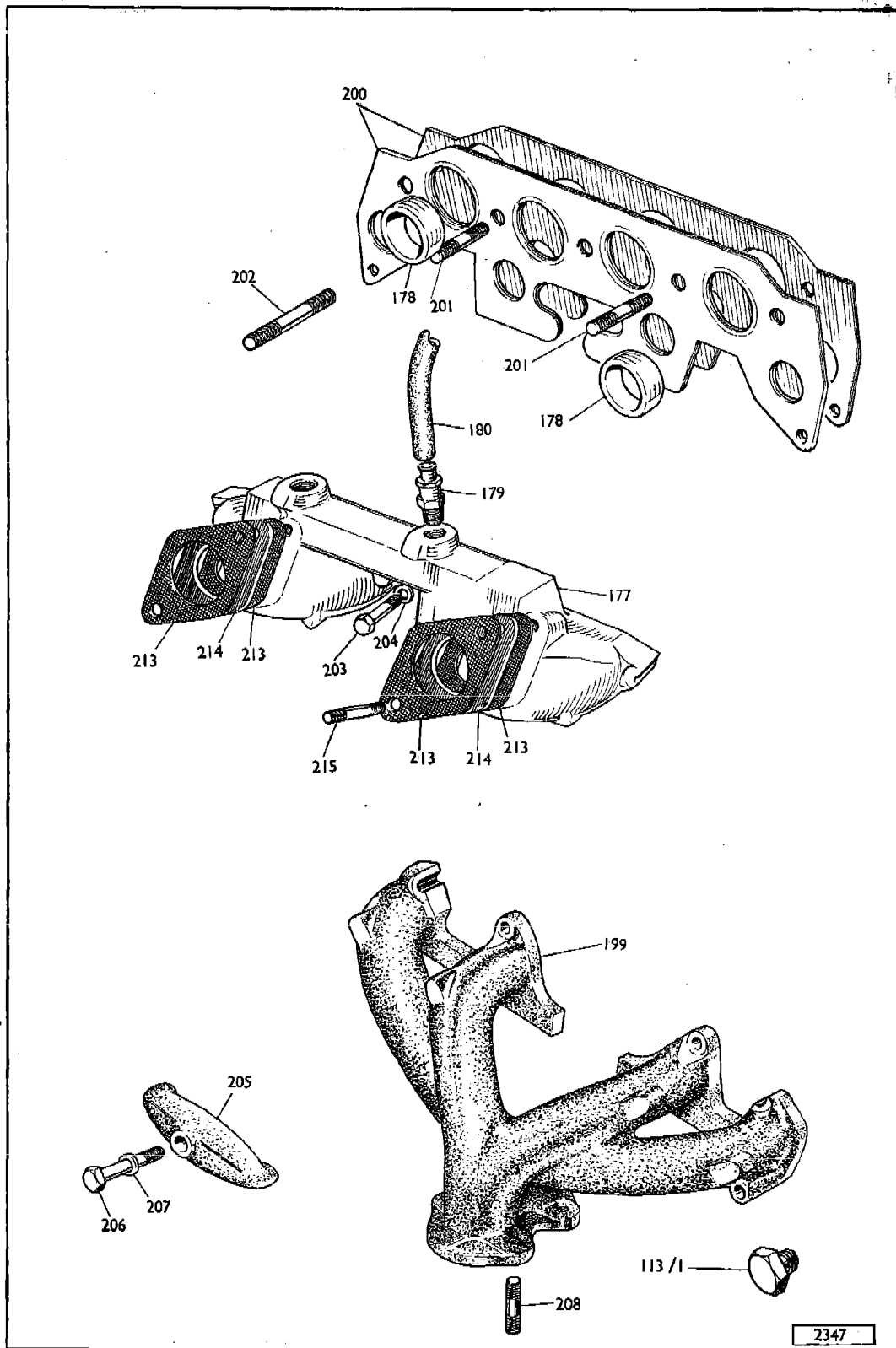


PLATE C—SECTION AA

Lit. 023

ENGINE (Motor) AND AUXILIARIES (1725)

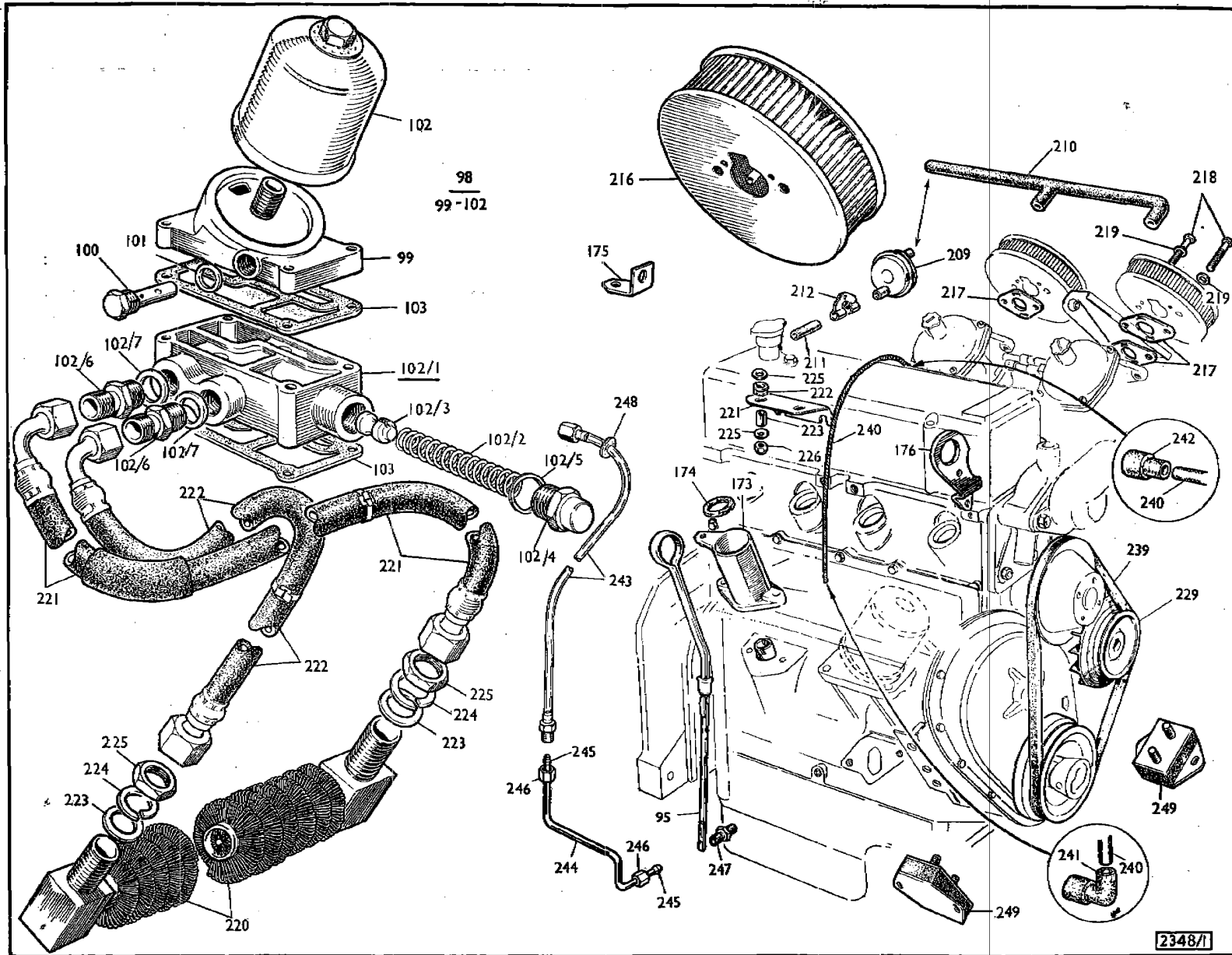


2347

PLATE D - SECTION AA

Lit. 023

PLATE E - SECTION AA
Lit. 023



ENGINE (Motor) AND AUXILIARIES (1725)

ENGINE (Motor) UNIT (1725)

Plate Ref.	Part Number	DESCRIPTION	No. per Veh.	REMARKS
		Note. This section is applicable to models from Chassis No. B395000001 BU. and B395900001 CKD.		
	5220996 S/d by 5221234	SHORT ENGINE (Motor) (See Parts Data 2A/297)	1	
		Note. The above comprises: Cylinder Block, Crankshaft and Bearings, Connecting Rod and Bearings, also Pistons complete.		
A1	5220948 s/d by 5221233	CYLINDER BLOCK c/w Bearing Caps	1	
	1206909	Cylinder liner (Reconditioned cylinder blocks only) ...	4	
A2	9801043	Plug, 1/2" B.S.P.	} Core	2
A4	5220713	Washer, 1/2" copper (Threaded type)		2
A5	5220785	Sealing cup, 1 1/4" dia.	} plugs	4
A6	9101841	Sealing cup, 1 1/4" dia. (Rear)		1
	9101843	Sealing cup, 1 1/4" dia.	1	
	9101808	Sealing plug—Dipstick hole	1	
B7	P.48510	Bearing—Camshaft	3	
A8	9805031	Plug, 3/8" B.S.P.	2	
A9	9804210 s/d by 7100882	Plug, special } Oilways	4	
A10	9003093	Bolt, 1/2" U.N.F. x 3 1/2" (Front)	} Main bearing... caps	2
A11	19107203	Bolt, 1/2" U.N.F. x 2 1/2" (Centre and rear)		4
	19107163	Bolt, 1/2" U.N.F. x 2" (Intermediate)		4
A12	9068019	Washer, 7/8" plain	10	
B14	9809340	Sealing disc, 2 1/2" dia.—Camshaft	1	
B17	5114875	Piston complete (Standard grade A)	4	
	5114876	Piston complete (Standard grade B)	4	
	5114877	Piston complete (Standard grade C)	4	
	5114878	Piston complete (Standard grade D)	4	
	5114879	Piston complete (Standard grade E)	4	
	5114880	Piston complete (-030" Oversize)	4	
	5109424 s/d by 5116040	Compression ring (Standard)	} Top	4
B18	5116040	Compression ring (Standard)		4
	5109428 s/d by 5116041	Compression ring (-030" Oversize) } groove	4	Up to B395004433
	5116041	Compression ring (-030" Oversize)	4	From B395004434
B19	5112976	Compression ring (Standard)	} 2nd	4
	5112977	Compression ring (-030" Oversize) } groove		4
B20	5109438	Scraper ring (Standard)	} 3rd	4
	5109442	Scraper ring (-030" Oversize) } groove		4
B21	5110417	Gudgeon pin (Top limit)	} Standard	4
	5110421	Gudgeon pin (.0001" above top limit)		4
	5110418	Gudgeon pin (Medium limit)		4
	5110419	Gudgeon pin (Bottom limit)		4
	5110420	Gudgeon pin (.003" Oversize)	4	
B22	9204013	Circlip—Gudgeon pin	8	
B23	1229289	CONNECTING ROD, less Bearing	4	
B24	5220846	Bush—Small end	4	
B25	1238004	Bolt (Special)	} Big	8
B26	9034068	Nut, 11/16" U.N.F. (Nyloc)		8
	9034067	Nut, 11/16" (Oddie)		8
	9034069	Nut, 11/16" (Philidas)		8

Up to B395004433
From B395004434
Up to B395004433
From B395004434

} Alternatives

ENGINE UNIT (1725)

Plate Ref.	Part Number	DESCRIPTION	No. per Veh.	REMARKS
		SHORT ENGINE (Motor)—continued		
B27	5112814	BIG END BEARING SET (Standard Grade A) } Selective ...	1	} Engine (Motor) set of 8 halves
	5112818	BIG END BEARING SET (Standard Grade B) } Assembly ...	1	
	5112815	Big end bearing set (-020" Undersize) ...	1	
	5112816	Big end bearing set (-040" Undersize) ...	1	
B28	5112800	MAIN BEARING SET (Standard Grade A) } Selective ...	1	} Engine (Motor) set of 10 halves
	5112804	MAIN BEARING SET (Standard Grade B) } Assembly ...	1	
	5112801	Main bearing set (-020" Undersize) ...	1	
	5112802	Main bearing set (-040" Undersize) ...	1	
B29	5112808	Thrust washer set (Standard) ... } Main ...	1	} Engine (Motor) set of 2 halves
	5112809	Thrust washer set (-005" Oversize) } bearings ...	1	
	5112810	Thrust washer set (1 standard and 1 -030" O/S—Main bearings)	1	
B30	5220949	s/d by 5221237		
	9200046	Bush—Stemwheel—Crankshaft ...	1	Up to B395015233 From B395015234
B31	9200050	Bush—Stemwheel—Crankshaft ...	1	
B31/1	9213040	Key—Pulley (1 $\frac{1}{8}$ " long) ...	1	
B32	1228027	Timing wheel ...	1	
B32/1	1228028	Damper ring ...	1	
B33	5220715	Dowel—Flywheel ...	1	
B34	1228153	Damper c/w pulley ...	1	
B36	P.103610	Oil thrower ... } Crankshaft ...	1	
	P.103766	s/d by 1235122		
B37	1235122	Starting jaw ...	1	Up to B395005604 From B395005605
B38	1202443	Starting jaw ...	1	
B39	1208868	Tabwasher } Starting jaw ...	1	} Up to B395005604
		Washer } ...	1	
A40	1207042	ENGINE (Motor) SUPPORT PLATE—Front ...	1	
A41	P.103612	Gasket ... } Support plate ...	1	
	5220684	Screw, $\frac{1}{8}$ " U.N.F. \times $\frac{1}{2}$ " } to ...	3	
	9661201	s/d by 9661203		
		Washer, $\frac{1}{8}$ " spring } cylinder block ...	3	
		Note. See Engine (Motor) Auxiliaries section for front engine mountings.		
B42	1218764	s/d by 5221271		
B43	P.103618	FLYWHEEL AND STARTING RING (Gear) ...	1	
		Starter ring (Gear) ...	1	
		Note. A replacement Flywheel and Starter Ring (Gear) is available in part exchange for the original.		
B44	19506073	Bolt, $\frac{3}{8}$ " U.N.F. \times $\frac{1}{2}$ " } Flywheel to ...	4	
B45	P.103620	Lockplate ... } crankshaft ...	2	
B46	1235930	s/d by 1239455		
		CAMSHAFT ...	1	
		Note. See Cylinder Block for camshaft bearings.		
B47	P.118772	Thrust plate (Standard) ...	1	
	P.107824	Thrust plate (-004" Oversize) } Camshaft ...	1	
B48	P.112147	Timing wheel ...	1	
B49	9213008	Key—Timing wheel ...	1	
B50	5220686	Bolt, $\frac{3}{8}$ " U.N.F. \times $\frac{1}{2}$ " ...	1	
B51	9096046	Retaining washer ... } Timing wheel to camshaft ...	1	
B52	P.55844	Washer, Special ...	1	
	19504051	s/d by 19504052		
	9661161	s/d by 9661163		
	9068010	Screw, $\frac{1}{4}$ " U.N.F. \times $\frac{5}{8}$ " } Thrust plate ...	2	Up to B395003909 From B395003910
		Washer, $\frac{1}{4}$ " spring } to ...	2	
		Washer, $\frac{1}{4}$ " plain } cylinder block ...	2	
B53	P.107710	Chain tensioner (Rubber) ...	1	
B54	P.107711	Blade—Chain tensioner ...	1	
B55	P.103732	Pivot pin ... } Blade to ...	1	
B56	9067014	Washer, $\frac{1}{4}$ " plain } cylinder block ...	1	
B57	9226040	Timing chain ...	1	

ENGINE () (1725)

Plate Ref.	Part Number	DESCRIPTION	No. per Veh.	REMARKS
B58	1208782	PIPE—Oil Jet	1	
B59	9156501	Retainer nut } Oil jet	1	
B60	9157100	Olive ... } pipe	1	
B61	1208783	Adaptor—Oil pipe	1	
B62	1208784	Spring } Oil	1	
B63	9187001	Ball } feed	1	
A64	1235083	TIMING COVER	1	
A65	P.103667	Gasket	1	
	19505061 s/d by 19505062	Screw, $\frac{1}{8}$ " U.N.F. $\times \frac{3}{4}$ "	8	Timing cover to cylinder block
	5220692	Screw, $\frac{1}{8}$ " U.N.F. $\times \frac{3}{4}$ "	1	
	9661201 s/d by 9661203	Washer, $\frac{1}{8}$ " spring	9	
A66	9087076	Collar—Timing cover screw	1	
B67	1235909	Pillar stud	1	Up to intro. P.106997
	P.106997	Pillar stud	1	
	5220690	Screw, $\frac{1}{8}$ " UNF. $\times \frac{1}{2}$ "	1	From B395016344
	5220684	Bolt, $\frac{1}{8}$ " UNF. $\times \frac{1}{2}$ "	3	
	19505081	Bolt, $\frac{1}{8}$ " UNF. $\times 1$ "	1	
	9068013	Washer, $\frac{1}{8}$ " spring	5	Up to B395013172
	5220701	Nut, $\frac{1}{8}$ " UNF.	5	
	9068013	Washer, $\frac{1}{8}$ " spring	4	From B395013173
	5220701	Nut, $\frac{1}{8}$ " UNF.	4	
	9510040	Nut, $\frac{1}{4}$ " UNF.	1	Up to B395016344
	9078008	Washer, $\frac{1}{4}$ " fibre	1	Up to intro. 1240094
	1240094	Washer, special	1	Series V from B395017113
	1238013 s/d by 5044739	OIL PUMP (See Parts Data 2A/316)	1	
		Note. A replacement Oil Pump is available in part exchange for the original.		
B68		Body—Oil pump		Not supplied
B69	5043895	Shaft assembly c/w outer rotor	1	
B70	1235936	Gear	1	
B71	5043897	Dowel pin	2	
	5043898 s/d by 1238047	Filter assembly	1	Not supplied
	5043899	Locknut	1	
	5044739	OIL PUMP	1	
	5043895	Body—Oil pump		Not supplied
	1235936	Shaft assembly c/w outer rotor	1	
	5043897	Gear	1	
		Dowel pin	2	
		Cover—Pump		Not supplied
B72	5043900	Screw, $\frac{1}{4}$ " UNC. $\times 1\frac{1}{4}$ "	2	Pump cover to body
	5043901	Screw, $\frac{1}{4}$ " UNC. $\times 1\frac{1}{4}$ "	1	
B73	5043902	Washer, $\frac{1}{4}$ " spring	3	
B74	1238047	Filter assembly—Oil pump	1	Up to intro. 1240007
	1240007	Filter assembly—Oil pump	1	
B75	5043899	Locknut—Filter	1	From B395017385
	5220695	Screw, $\frac{1}{8}$ " UNF. $\times \frac{7}{8}$ "	2	
	9068010	Washer, $\frac{1}{4}$ " plain	2	Oil pump to block
	9067015	Washer, $\frac{1}{4}$ " plain	2	
B76	1235118	OIL PIPE—Pump to Block	1	Alternatives
B77	9156553	Nut } Pipe to pump	1	
B78	9157115	Olive } pump	1	
B79	9156553	Nut } Pipe to block	1	
B80	9157115	Olive } block	1	

ENGINE (UNIT) (1725)

Plate Ref.	Part Number	DESCRIPTION	No. per Veh.	REMARKS
B81	1201122	OIL PIPE—Rocker Oil Feed	1	
B82	9157102	Olive } Cylinder	1	
B83	9156051	Nut } block end	1	
B84	9157102	Olive } Rocker	1	
B85	9166506	Nut } shaft end	1	
B86	9151200	Union—Cylinder block } Rocker	1	
B87	1202204	Adaptor—Rocker shaft } oil feed	1	
	1235079	SUMP (Oil pan)	1	Up to B395006450 From B395006451
A88	1235996	SUMP (Oil pan)	1	
A89	9801043	Drain plug, 1/2" B.S.P.	1	Sump (Oil pan)
A90	5220713	Washer, 1/2" copper—Drain plug } (Oil pan)	1	
	5220951	SUMP (Oil pan) JOINT SET	1	Includes items marked* No longer supplied separately
A91		*Joint, O/S (R.H.)		
A92		*Joint, N/S (L.H.)		
A93	1235073	*Oil seal—Bearing caps } to cylinder block	2	} See * below
	59410909	Screw, 1/2" UNF. x 1 1/8"	14	
	29504111	Stud, 1/2" UNF. x 1 1/8"	2	
	19504091	Screw, 1/2" UNF. x 1 1/4" } Sump (Oil pan) and stiffeners	2	
	9068010	Washer	2	
	9067468	Washer, 1/2" plain } to cylinder block	4	
	9029192	Nut, 1/2" UNF.	2	
A94	1235134	Stiffener, O/S (R.H.) } Clutch housing	1	
	1218771	Stiffener, N/S (L.H.) } to cylinder block	1	
		*Note. Stiffeners have been included in this section for the sake of clarity.		
E95	1235116	DIPSTICK—Sump (Oil pan)	1	Not supplied
E98		OIL FILTER UNIT (Fram)		
E99	5041316	Filter base	1	Up to B395012219
E100	5043949	Relief valve assembly	1	
E101	5041318	Washer—Relief valve	1	
	5041315	Oil filter (Cartridge)	1	From B395012220
	5058202	Filter base	1	
	5058201	Relief valve assembly	1	
	5058200	Washer—Relief valve	1	
E102	5057957	Oil filter (Cartridge)	1	
E102/1	1228194	BLOCK ASSEMBLY—Oil Cooler	1	For Oil Cooler and Hoses see Engine (Motor) Auxiliaries Section
E102/2	1218715	Spring	1	
E102/3	1218716	Plunger } Balance valve	1	
E102/4	1218717	Cap	1	
E102/5	9077045	Washer—Cap } Alternatives	1	
	9077616	Washer—Cap	1	
E102/6	9152002	Adaptor—Hoses to cooler block	2	
E102/7	5220713	Washer—Adaptor	2	
E103	1218624	Gasket	2	
	19105223	Bolt, 1/8" UNF. x 2 1/4" } Filter and oil cooler block to	4	
	9068013	Washer, 1/8" plain } cylinder block	4	
A104	1228000	TAPPET (Valve Lifter) COVER	1	
A105	P.103740	Gasket	1	
	5220690	Screw, 1/2" UNF. x 1/2" } Cover to block	13	
	9077105	Washer, 1/2" plain	13	

ENGINE (Motor) UNIT (1725)

Plate Ref.	Part Number	DESCRIPTION	No. per Veh.	REMARKS
A106	5220955 s/d by 5220968	CYLINDER HEAD (See Data 2A/328)	1	
A107	9803150	Plug, 1½" A.N.F. } Cylinder head	1	
A108	9077063	Washer, 1½" alum. } rear	1	
A109	1200077	Water jet (Centre)	1	
A110	P.118869	Spark plug tube	4	
B111	5114666	Valve guide (Standard)	4	
	5114667	Valve guide (-001" Oversize) } Inlet (Intake)	4	
	5114668	Valve guide (-003" Oversize) }	4	
B112	5114671	Valve guide (Standard)	4	
	5114672	Valve guide (-001" Oversize) } Exhaust	4	
	5114673	Valve guide (-003" Oversize) }	4	
B113	1201901	Retaining ring—Valve guides	8	
	5114976	Valve seat insert (-002" Oversize) } Exhaust	4	
	5114977	Valve seat insert (-005" Oversize) }	4	
	5114978	Valve seat insert (-010" Oversize) }	4	
	5107319	Valve seat insert (-002" Oversize) } Inlet (Intake)	4	
	5107320	Valve seat insert (-005" Oversize) }	4	
	5107321	Valve seat insert (-010" Oversize) }	4	
D113/1	9803045	Plug—Blanking water pipe hole	1	
	9169022	Connector—Heater hose to cylinder head	1	
A114	1214624	Gasket	1	
A115	29900446	Stud, ⅜" UNF. × 5½" ... } Cylinder head	2	
A116	9003202	Bolt, ⅜" UNF. × 4½" ... } to	8	
A117	9067039	Washer, ⅜" plain ... } cylinder block	10	
A118	9029145	Nut, ⅜" UNF. ... }	2	
C119	29805103	Stud, ⅝" UNF. × 1½" } Thermostat housing	1	
C120	29805253	Stud, ⅝" UNF. × 3½" } to	2	
	29805093	Stud, ⅝" UNF. × 1½" } cylinder head	2	
B121	1235104	INLET (Intake) VALVE	4	
B122	1235105	EXHAUST VALVE	4	
B123	5220824	Valve spring (Inner and outer)	8	
B124	1218786	Cup—Valve spring (Lower)	8	
B124/1	1218787	Distance piece—Cup	8	
B125	9107016	Sealing ring	8	
B126	1206787	Valve cup ... } Valves	8	
B127	5220327	Cotter (8 halves)	2	
B128	1235223	TAPPET (Valve Lifter)	8	
	1235224	TAPPET (Valve Lifter)—001" Oversize	8	Service use only
	P.10363	Push rod	8	Up to intro. 1238510
B129	1238510	Push rod	8	From B395016812
B130	P.103634	ROCKER SHAFT CARRIER	4	
A131	29605263	Stud, ⅝" UNF. × 3¼" }	8	
A132	9068013	Washer, ⅝" plain ... } Carrier to cylinder head	8	
A133	5220701	Nut, ⅝" UNF. ... }	8	
B134	5220124	ROCKER SHAFT (Front)	1	
B135	5220125	ROCKER SHAFT (Rear)	1	
B136	9101807	Plug—Rocker shaft ends	2	
B137	P.103637	Spring—Rocker shaft... ..	2	
B138	P.103638	Spring (Outer)... ..	4	
B139	1202169	Spacer—Spring	4	
B140	P.103912	Retaining clip—Spring	4	

ENGINE (Motor)*UNIT (1725)

Plate Ref.	Part Number	DESCRIPTION	No. per Veh.	REMARKS
B141	P.118877	ROCKER, Nos. 1, 3, 5 and 7	4	
B142	P.118878	ROCKER, Nos. 2, 4, 6 and 8	4	
B143	P.118879	Adjusting screw	8	
B144	1238404	Adjusting screw	8	
A145	9520050	Locknut, $\frac{1}{8}$ " UNF.	8	
A146	1218426	ROCKER COVER	1	
A146	P.118884	Gasket	1	
A146	29804313	Stud, $\frac{1}{4}$ " UNF. \times 3 $\frac{1}{8}$ "	4	
A146	9068010	Washer, $\frac{1}{4}$ " plain	4	
A146	9510040	Nut, $\frac{1}{4}$ " UNF.	4	
A147	1228078	Tube—Oil filler	1	
A148	P.118888	Gasket	1	
A148	19604051	Screw, $\frac{1}{4}$ " UNC. \times $\frac{1}{8}$ "	2	
A148	9068010	Washer, $\frac{1}{4}$ " plain	2	
A149	1207074	Cap—Oil filler and breather	1	
A149	1214754	WATER PUMP UNIT	1	
		Note. A replacement Water Pump Unit is available in part exchange for the original.		
C150	1206901	Body—Impellor	1	
C151	1214677	Fan pulley centre	1	
C152	9198901	*Bearing unit	1	
C153	P.103640	*Screw, $\frac{1}{4}$ " UNF. \times $\frac{1}{2}$ " special	1	
C154	9068010	*Washer, $\frac{1}{4}$ " plain	1	
C155	1206906	*Impellor	1	
C156	1202716	*Seal unit	1	
C157	P.88402	*Thrower—Bearing unit	1	
C158	P.103642	Cover plate—Water pump	1	
C159	P.103646	*Gasket	1	
C160	39115241	Screw, $\frac{1}{8}$ " UNF. \times 1 $\frac{1}{2}$ " "X" recess	1	
C161	9068013	Washer, $\frac{1}{8}$ " plain	1	
C162	5220701	Nut, $\frac{1}{8}$ " UNF.	1	
C162	5220342	WATER PUMP REPAIR KIT (Export only)	1	
C163	1218594	Hose—By-pass	1	
C164	9781141	Clip—Hose	2	
C165	P.103653	Gasket	1	
C166	19505121	Bolt, $\frac{1}{8}$ " UNF. \times 1 $\frac{1}{2}$ "	3	
C167	9068013	Washer, $\frac{1}{8}$ " plain	3	
	19505162	Screw, $\frac{1}{8}$ " UNF. \times 2"	1	
	9087075	Distance piece	1	
	19505121	Screw, $\frac{1}{8}$ " UNF. \times 1 $\frac{1}{2}$ "	2	
	9067023	Washer, $\frac{1}{8}$ " plain	2	
C168	1218672	THERMOSTAT	1	
C169	1214647	Housing—Thermostat	1	
C170	1214651	Gasket	1	
	9068013	Stud—See Cylinder Head	5	
	5220701	Washer, $\frac{1}{8}$ " plain	5	
		Nut, $\frac{1}{8}$ " UNF.	5	
		Thermometer unit—See Electrical Section.		
C171	1214648	WATER (Top) OUTLET PIPE	1	
C172	1214649	Gasket—Water pipe	1	

From B395016812

Includes items marked *

Up to B395016812
From 0103833
B395016812

ENGINE (Motor) UNIT (1725)

Plate Ref.	Part Number	DESCRIPTION	No. per Veh.	REMARKS
E173	5220936	BRACKET—Distributor Drive	1	
E174	9107066	Oil seal—Distributor bracket	1	
	1238560	Joint } Distributor bracket	1	Up to intro. 1240012 From B395015535
	1240012	Joint } to cylinder head	1	
	19505081	Bolt, $\frac{5}{8}$ " UNF. \times 1" } Distributor bracket	2	
	9067027	Washer, $\frac{5}{8}$ " plain } to cylinder block	2	
E175	1214554	Lifting bracket	1	
	9068016	Washer, $\frac{3}{4}$ " plain } Bracket to ...	1	
	9029145	Nut, $\frac{3}{4}$ " UNF. Special } cylinder head	1	
E176	1214765	Slinging eye	1	

ENGINE (Motor) AUXILIARIES (1725)

Plate Ref.	Part Number	DESCRIPTION	No. per Veh.	REMARKS
		GASKET SETS		
	5220970	TOP OVERHAUL GASKET SET Note. Gasket sets include cylinder head, top water pipe, thermostat housing, tappet cover, rocker cover, oil filler tube, manifold, carburettor, and water pump gaskets. Also included are valve sealing rings.	1	
		MANIFOLDS		
D177	1235144	INDUCTION MANIFOLD	1	
D178	P.118891	Locating ring—Induction manifold	2	
D179	1235915	Ventilation valve	1	Up to intro. 1239549 From B395018412
	1239549	Ventilation valve	1	
	5043860	Relief spring—Ventilation valve	1	
D180	9166245	Hose—Ventilation valve to tappet cover	1	
C196	9169001	Hose connector	1	Up to B395002980 From B395002981
	9078033	Washer, fibre } Water pump	1	
	9169025	Hose connector	1	
D199	1235151	EXHAUST MANIFOLD	1	
D200	5220646	Joints (pair)	1	
	19406111	Bolt, $\frac{3}{8}$ " UNC. \times $1\frac{1}{8}$ "	2	} Manifolds cylinder head
	9068016	Washer, $\frac{3}{8}$ " plain	2	
D201	29805114	Stud, $\frac{1}{8}$ " UNF./UNC. \times $1\frac{1}{8}$ "	2	
D202	29805244	Stud, $\frac{1}{8}$ " UNF./UNC. \times $2\frac{1}{4}$ "	2	
	9068013	Washer, $\frac{1}{8}$ " plain	4	
	5220702	Nut, $\frac{1}{8}$ " UNF.	4	
D203	19606081	Bolt, $\frac{3}{8}$ " UNC. \times 1 "	1	} Up to B395016334
D204	9068016	Washer, $\frac{3}{8}$ " plain } Induction manifold to cylinder head	1	
	P.80515	Clamp	1	} From B395016335
	5221254	Washer, $\frac{3}{8}$ " shakeproof	1	
	9088176	Distance piece ... } Clamp	1	
	9029168	Nut	1	
	9068016	Washer, $\frac{3}{8}$ " plain } Induction pipe to cylinder head	2	
	9003237	Bolt, $\frac{3}{8}$ " UNC.	1	
	19406111	Bolt, $\frac{3}{8}$ " UNC. \times $1\frac{1}{8}$ " } cylinder head	2	
D205	1201716	Clamp	1	} Exhaust manifold to cylinder head
D206	19405143	Bolt, $\frac{1}{8}$ " UNC. \times $1\frac{1}{4}$ "	1	
D207	9068013	Washer, $\frac{1}{8}$ " plain ... } cylinder head	1	
D208	29705123	Stud, special } Exhaust manifold	4	} Also shown in Exhaust System Section
	9029207	Nut ... } to exhaust pipe	4	
		FLAME TRAP		
E209	1228004	FLAME TRAP	1	
E210	1235160	Breather hose—Air cleaners to flame trap	1	
E211	9166275	Breather hose—Oil filler to flame trap	1	
E212	1235108	Support sleeve—Breather hose	1	
	9557037	Nut, No. 10 UNF., square } Support sleeve	1	
	39313081	Screw, No. 10 UNF. \times $\frac{1}{2}$ " } sleeve	1	

ENGINE (Motor) AUXILIARIES (1725)

Plate Ref.	Part Number	DESCRIPTION	No. per Veh.	REMARKS
CARBURETTORS				
CARBURETTORS—See Carburettor Section.				
D213	1235148	Gasket	4	
D214	1235149	Insulating washer	2	
D215	29805113	Stud, $\frac{1}{8}$ " UNF./UNC. \times $1\frac{1}{2}$ "	4	} Carburettors to induction manifold
	5220701	Nut, $\frac{1}{8}$ " UNF.	4	
	9068013	Washer, $\frac{1}{8}$ " plain	4	
		SUCTION PIPE (Distributor Auto Control)—See Distributor.		
		PETROL (Fuel) PIPES — See Petrol (Fuel) System Section.		
AIR CLEANER				
E216	1235145	AIR CLEANER	2	
E217	1238007	Joint—Air cleaner to carburettors	3	
E218	19105171	Bolt, $\frac{1}{8}$ " UNF. \times $2\frac{1}{2}$ "	4	} Air cleaners to carburettors
E219	9067023	Washer, $\frac{1}{8}$ " plain	4	
OIL COOLER				
E220	1235338	OIL COOLER	1	
E221	5220967	Hose—Feed } Block to	1	} For Oil Cooler Block see Engine (Motor) Unit Section
E222	5220966	Hose—Return } oil cooler	1	
	1239234	Bracket—Oil cooler hose to radiator	1	
	1239235	Bracket—Oil cooler hose to rocker cover	1	
E223	9067330	Washer, $\frac{3}{8}$ " plain	2	
E224	9661562	Washer, $\frac{1}{2}$ " spring } Oil cooler to body	2	
E225	9029020	Nut, $\frac{1}{2}$ " B.S.P.	2	
	9179055	Clip—Hose to bonnet surround	1	
	9179056	Clip—Hose to horn bracket	1	
ALTERNATOR				
ALTERNATOR—See Electrical Section.				
C228	1235179	Adjusting strap	1	
CE229	1235176	Pulley	1	
C230	1235178	s/d by 1238066	1	} Up to intro. 1240002 From B395016858
	1240002	Support bracket	1	
	5220687	Bolt, $\frac{3}{8}$ " UNF. \times $1\frac{1}{2}$ " (Front)	1	} Up to B395002436
	19106203	Bolt, $\frac{3}{8}$ " UNF. \times $2\frac{1}{2}$ " (Rear)	1	
	9068016	Washer, $\frac{3}{8}$ " plain	2	
	5220687	Bolt, $\frac{3}{8}$ " UNF. \times $1\frac{1}{2}$ "	2	} From B395002437
	19605071	s/d by 5220697	1	
	9068014	Washer, $\frac{1}{8}$ " plain	1	} Adjusting strap to Alternator
	9664203	Washer, $\frac{1}{8}$ " shakeproof	1	
	19105161	Bolt, $\frac{1}{8}$ " UNF. \times 2"	1	} Adjusting strap to water pump
	9068013	Washer, $\frac{1}{8}$ " plain	1	
	9664203	Washer, $\frac{1}{8}$ " shakeproof	1	
	9088193	Distance piece	1	

ENGINE (Motor) AUXILIARIES (1725)

Plate Ref.	Part Number	DESCRIPTION	No. per Veh.	REMARKS
ALTERNATOR—continued				
	19105121	Bolt (Front), $\frac{1}{8}$ " UNF. \times $1\frac{1}{2}$ "	1	} Up to B395002436
	19105141	Bolt (Rear), $\frac{1}{8}$ " UNF. \times $1\frac{1}{2}$ "	1	
	5220701	Nut, $\frac{1}{8}$ " UNF. ...	2	
	9664203	Washer, $\frac{1}{8}$ " shakeproof	4	
Alternator				
	19505081	Screw, $\frac{1}{8}$ " UNF. \times 1" ... to ...	1	} From B395002437
	19105121	Bolt, $\frac{1}{8}$ " UNF. \times $1\frac{1}{2}$ " ... support bracket	1	
	9664203	Washer, $\frac{1}{8}$ " shakeproof	2	} Up to B395017112 From B395017113
	9068013	Washer, $\frac{1}{8}$ " plain—Rear bolt	1	
	9068014	Washer, $\frac{1}{8}$ " plain—Front bolt	1	} Up to B395005370
	9067028	Washer, $\frac{1}{8}$ " plain—Front bolt	1	
	19105201	Bolt, $\frac{1}{8}$ " \times $2\frac{1}{2}$ "	1	} Adjusting strap to Water pump
	9068013	Washer, $\frac{1}{8}$ " plain	1	
	9088194	Distance piece ...	1	} Water pump and cover plate to block
	19505162	Screw, $\frac{1}{8}$ " UNF. \times 2"	1	
	9087075	Distance piece ...	1	}
	19505121	Screw, $\frac{1}{8}$ " UNF. \times $1\frac{1}{2}$ "	1	
	9067023	Washer ...	1	
STARTER				
	19106223	STARTER—See Electrical Section.		
	9068016	Bolt, $\frac{1}{2}$ " UNF. \times $2\frac{1}{2}$ "	2	} Starter to cylinder block
	5220703	Washer, $\frac{3}{8}$ " plain	2	
		Nut, $\frac{1}{2}$ " UNF. ...	2	
ENGINE DRAIN TAP				
A231	9214001	Drain tap	1	
A232	1200069	Drain tube c/w adaptor	1	
A233	9151242	Union	1	} Drain tube to cylinder block
A234	9156058	Nut	1	
A235	5220717	Olive	1	
A236	9117043	Grommet—Drain tube	1	
FAN				
C237	1214675	FAN BLADE	1	} Up to intro. 1239485 From B395018292
	1239485	FAN BLADE	1	
C238	1206902	Fan pulley	1	} Fan blade to pulley
	5220695	Bolt, $\frac{1}{4}$ " UNF. \times $\frac{1}{2}$ "	4	
	9068010	Washer, $\frac{1}{4}$ " spring	4	
E239	1235180 s/d by 9226507	Belt—Fan and Alternator	1	

ENGINE (Motor) AUXILIARIES (1725)

Plate Ref.	Part Number	DESCRIPTION	No. per Veh.	REMARKS
		DISTRIBUTOR		
		DISTRIBUTOR—See Electrical Section.		
		Bracket—Distributor—See Engine (Motor) Section.		
	19604051	Bolt, 1/4" UNC. x 3/4" } Distributor	1	
	9068010	Washer, 1/2" plain } to bracket	1	
E240	9232137 s/d by 1238581	SUCTION PIPE } Distributor	1	Up to B395016246 From B395016247
E241	1218539	SUCTION PIPE } Auto Control	1	
E242	1218538	Elbow } Suction	1	
		Sleeve } pipe	1	
		IGNITION COIL		
		IGNITION COIL—See Electrical Section.		
	5220684	Screw, 5/16" UNF. x 3/4" }	2	
	9067027	Washer, 5/16" plain } Coil bracket to body	2	
	9661201 s/d by 9661203	Washer, 5/16" spring }	2	
	19605051	Screw, 5/16" UNF. x 5/8" } Blanking—Bracket to	2	
	9077014	Washer, 5/16" plain } cylinder head holes	2	
		SPARKING PLUGS		
		SPARKING PLUG } See		
		High tension (Ignition) cable } Electrical Section.		
		PETROL (Fuel) PUMP		
		PETROL (Fuel) PUMP—See Petrol (Fuel) Pump Section.		
		PETROL (Fuel) PIPES—See Petrol (Fuel) System Section.		
		Gasket ... } See Petrol (Fuel) } Petrol (Fuel)		
		Heat insulator } Pump section } pump to	2	
	29505111	Stud, 1/8" UNF. x 1 3/8" }	2	
	9068013	Washer, 1/8" plain } cylinder block	2	
	5220701	Nut, 1/8" UNF. }	2	
		OIL PRESSURE GAUGE		
		OIL PRESSURE GAUGE—See Electrical Section.		
E243	9168033	Pipe—Oil pressure gauge—R.H.D.	1	
	9168036	Pipe—Oil pressure gauge—L.H.D.	1	
E244	1207968	Oil pipe—Pressure gauge pipe to union	1	
E245	9157104	Olive } Oil	2	
E246	9156054	Nut } pipe	2	
	9176006	Clip } Pipe to	1	
E247	9151233	Union } cylinder block	1	
E248	9118527	Grommet—Oil pressure gauge pipe	1	
		ENGINE (Motor) MOUNTINGS		
		ENGINE (Motor) SUPPORT PLATE, FRONT—See Engine (Motor) Unit Section.		
E249	1201437	Support rubber—Front	2	
	9068013	Washer, 1/8" plain } Support rubber	4	
	5220701	Nut, 1/8" UNF. } to support plate	4	
	5220684	Screw, 5/16" UNF. x 3/4" } Support rubber	4	
	9067027	Washer, 1/8" plain } to	4	
	9664203	Washer, 1/8" shakeproof } crossmember	4	

ENGINE (Motor) AUXILIARIES (1725)

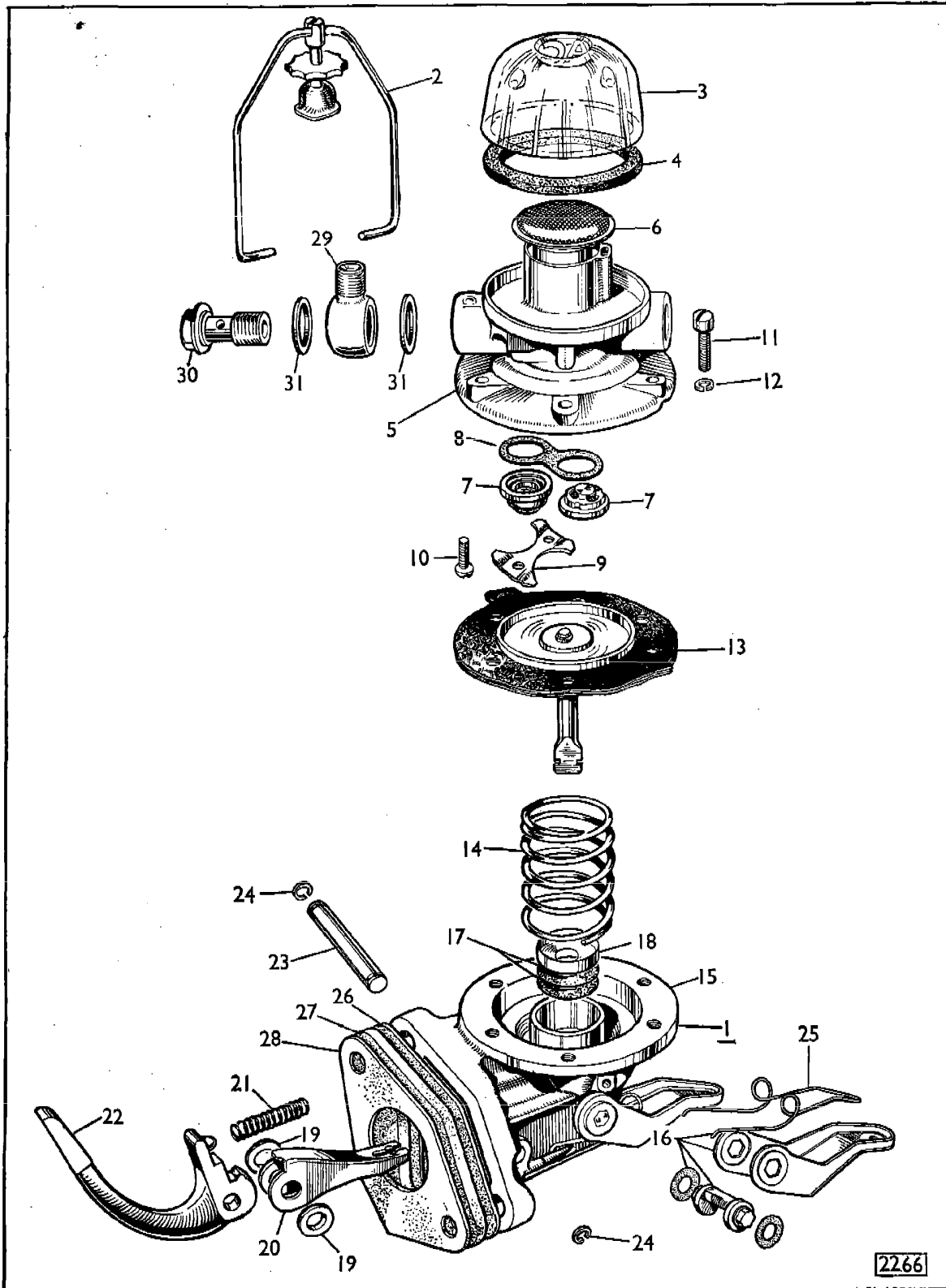
Plate Ref.	Part Number	DESCRIPTION	No. per Veh.	REMARKS

Publication No. 660092

SECTION B

PETROL (Fuel) PUMP

PETROL (Fuel) PUMP



SECTION B

PETROL (Fuel) PUMP

Plate Ref.	Part Number	DESCRIPTION	No. per Veh.	REMARKS
	1046803	PETROL (Fuel) PUMP	1	Series I, II, III and IV
1	1235900 s/d by 1238591	PETROL (Fuel) PUMP	1	Series V up to B395014598
	1238591	PETROL (Fuel) PUMP	1	Series V from B395014599
2	K.19260	Retainer—Glass bowl	1	
3	K.19256	Glass bowl	1	
4	K.19258	†*Gasket—Bowl	1	
	K.19262 s/d by 5043932	Cover	1	Sec Data 2A/303
	K.19257	Filter gauze	1	
	K.19263 s/d by 5043668	*Valve	2	
5	K.19265	†*Joint—Valve	1	Series
6	K.19264	Retaining plate—Valve	1	I, II, III and IV
7	5220202 s/d by 9050095	Screw—Valve retainer	2	
	39303101	Screw, No. 10 UNF. × $\frac{3}{8}$ " P.H.	6	} Cover
	9661121	Washer, $\frac{3}{8}$ " spring	6	
8	5043840	Cover c/w valves	1	
9	5043668	†Valve	2	
10	5041522	†Joint—Valve	2	Series V onwards
11	5043839	Filter gauze	1	
12	5220204	Screw, No. 10 A.N.F. × $\frac{1}{2}$ " F.H.—Cover	6	
13	K.21471	†*Pull rod and diaphragm	1	
14	K.9038 s/d by K.10108	Spring—Diaphragm	1	
15		Body c/w priming lever		Not supplied
16	K.18847	Priming lever kit	1	
17	K.17853	Washer—Oil seal	2	} Up to B395014598
18	K.20322	Retainer—Oil seal	1	
	5031040	Retainer—Oil seal	1	} From B395014599
	5031043	Oil seal—Petrol (Fuel) pump	1	
19	5220199	Washer—Rocker pin	1	
20	K.10481	Link	1	
21	K.9039	Return spring—Rocker arm	1	
22	K.25587	Rocker arm	1	
23	K.9033	Pin—Rocker arm	1	} Series I, II, III and IV
24	5220201	Circlip—Rocker arm pin	2	
25	5031039	Pin—Rocker arm	1	} Series V onwards
26	5031044	Retainer—Rocker arm pin	2	
27	K.18380	Primer spring	1	Included in K.18847
28	P.44994	Gasket—Pump to insulator	1	
29	P.103727	Heat insulator	1	
30	P.41602	†Gasket—Insulator to cylinder block	1	
	9159003	Outlet union	1	
	9159514	Banjo bolt } Outlet	1	} Series I and II
	P.49339	Washer—Fibre } union	2	
	29505111	Stud, $\frac{1}{8}$ " UNF. × 1"	2	
	9661201 s/d by 9661203	Washer, $\frac{1}{8}$ " spring } Petrol (Fuel) pump	2	} Alternative to 9661203
	9068013	Washer, $\frac{1}{8}$ " plain } to cylinder block	2	
	5220701	Nut, $\frac{1}{8}$ " UNF.	2	
	K.21463 s/d by 5044159	REPAIR KIT } Petrol (Fuel)	1	Series I, II, III and IV
	5044159	REPAIR KIT } Pump	1	Series V onwards

Note. A replacement Petrol (Fuel) Pump is available in part exchange for the original.

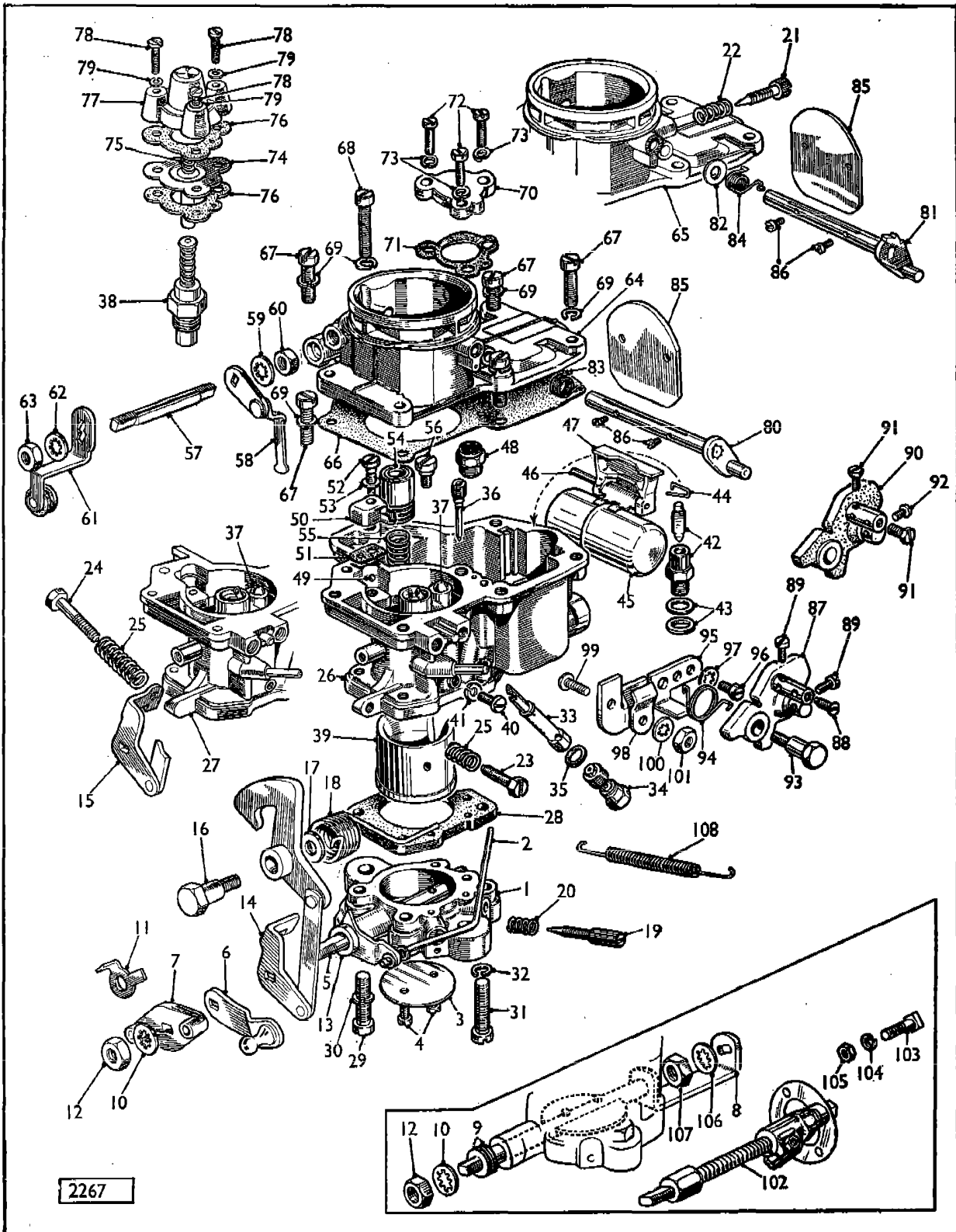
PETROL (Fuel) PUMP

Plate Ref.	Part Number	DESCRIPTION	No. per Veh.	REMARKS

SECTION C

CARBURETTOR (Zenith)—SERIES I and II

CARBURETTOR (ZENITH) — SERIES I & II



SECTION C

CARBURETTOR (Zenith) — SERIES I & II

Plate Ref.	Part Number	DESCRIPTION	No. per Veh.	REMARKS
	1046673	CARBURETTOR	1	Superseded by 1046821 Series I.
	1046821	CARBURETTOR } Front	1	
	1046674	CARBURETTOR—Rear	1	
	1800101	CARBURETTOR—Front	1	Series I with Micro element filter
	1800102	CARBURETTOR—Rear	1	
	1800023	CARBURETTOR	1	Superseded by 1800118 Series II
	1800118	CARBURETTOR } Front	1	
	1800024	CARBURETTOR	1	Superseded by 1800119 Series II
	1800119	CARBURETTOR } Rear	1	
	1800116	CARBURETTOR—Front	1	Series II with Micro element filter
	1800117	CARBURETTOR—Rear	1	
	1800354	CARBURETTOR—Front	1	Series II Le-Mans
	1800355	CARBURETTOR—Rear	1	
	5037490	Body assembly	1	For Carb. 1046821 For Carb. 1800101 For Carb. 1800023 For Carbs. 1800116 and 1800118
	5040207	Body assembly	1	
	5037771	Body assembly	1	
	5039206	Body assembly	1	
1	5041030	Body assembly	1	
	5037491	Body assembly	1	For Carb. 1800354 For Carb. 1046674
	5040207	Body assembly	1	
	5037772	Body assembly	1	For Carb. 1800102 For Carb. 1800024 For Carbs. 1800117 and 1800119
	5039202	Body assembly	1	
	5041031	Body assembly	1	For Carb. 1800355
2		Floating lever c/w rod	1	Front Carb. not supplied
3	5037492	Butterfly	2	
4	K.24037	Screw—Butterfly to spindle	4	
5	K.29891	Spindle	1	Front Carb.
6	1203646	Lever	1	
7	5037453	Coupling plate assembly	1	
8	K.29893	Spindle c/w lever	1	Rear Carb.
9	9067103	Washer, $\frac{1}{8}$ " plain	2	
10	9664203	Washer, $\frac{1}{8}$ " shakeproof	2	For Carbs. 1800023/4, 1046673/4 only
11	5039205	Tab washer	2	
12	K.13594	Nut	2	
13		Bearing		Not supplied
		Plugging screw		Not supplied Carbs. 1800118/9, 1800354/5
	5037493	Stop plate	1	For Carb. 1046821
	5040209	Stop plate	1	For Carb. 1800101
14	5037628	Stop plate	1	For Carb. 1800023
15	5039204	Stop plate	1	For Carbs. 1800116, 1800118
	5041029	Stop plate c/w pump link and cam lever	2	For Carbs. 1800354/5 only
	5037494	Stop plate	1	For Carb. 1046674
	5040210	Stop plate	1	For Carb. 1800102
	5037494	Stop plate	1	For Carb. 1800024
	5039201	Stop plate	1	Superseded by 5039204
	5039204	Stop plate	1	For Carbs. 1800117, 1800119

CARBURETTOR (Zenith) — SERIES I & II

Plate Ref.	Part Number	DESCRIPTION	No. per Veh.	REMARKS
		CARBURETTOR—continued		
16	K.26430	Pivot pin	2	
17	5037516	Washer	2	
18	5037517	Spring	2	
19	K.26378	Screw	2	
20	K.26379	Spring—Screw	2	} Fitted to Float Chamber Cover late models For Carbs. 1800118/9 and 1800354/5 only For Carb. 1046821
21	5039222	Screw—Volume control	2	
22	K.24598	Spring—Volume screw	2	
23	5037455	Screw	1	
24	5039221	Screw	1	
25	5037456	Spring	1	
26		Main body (Early)		} Not supplied
27		Main body (Late)		
28	K.29894	Gasket	2	
29	39034160	Screw, 1/4" B.S.F. x 1" Ch. Hd.	2	
30	9660161	Washer, 1/4" spring	4	} Throttle body to main body
31	K.29895	Screw, small	4	
32	9660121	Washer, 3/8" spring	4	
	K.26497	Main discharge jet	2	
	5040226	Main discharge jet	2	For Carbs. 1800116 and 1800117
33	5039275	Main discharge jet	2	For Carbs. 1800354 and 1800355
	5102806	Metering jet (Size 130)	2	For Carbs. 1046821 and 1046674
	5102810	Metering jet (Size 120)	2	For Carbs. 1800101 and 1800102
	5102809	Metering jet (Size 142)	2	} Complete with Sealing ring
	5102813	Metering jet (Size 112)	2	
34	5102807	Metering jet (Size 150)	2	For Carbs. 1800116 and 1800117
35	K.26381	Sealing ring—Metering jet	2	For Carbs. 1800354 and 1800355
	5102864	Idle tube (Size 50)	2	} For Carbs. 1800118, 1800119, 1800116 & 1800117
	5102865	Idle tube (Size 45)	2	
36	5102866	Idle tube (Size 55)	2	For Carbs. 1800354 and 1800355
	5109682	High speed bleed (Size 180)	2	For Carbs. 1800101 and 1800102
	5109683	High speed bleed (Size 70)	2	For Carbs. 1800354 and 1800355
37	5109684	High speed bleed (Size 100)	2	For Carbs. 1800023, 1800024, 1800118 & 1800119
	5102795	By-pass valve (Size 77)	2	For Carbs. 1800101 and 1800102
38	5102798	By-pass valve (Size 57)	2	For Carbs. 1800116 and 1800117
	5039274	Blanking plug—By-pass	2	For Carbs. 1800023, 1800024, 1800118, 1800119, 1800354 and 1800355

CARBURETTOR (Zenith) — SERIES I & II

Plate Ref.	Part Number	DESCRIPTION	No. per Veh.	REMARKS
		CARBURETTOR—continued		
39	5107835	Choke tube (Venturi) (Size 28)	2	For Carbs. 1800023, 1800024, 1800118, 1800119, 1800354 and 1800355 only
	5107836	Choke tube (Venturi) (Size 30)	2	
40	9050012	Screw—Choke tube	2	
41	9660161	Washer, ¼" spring	2	
42	K.26387	Needle valve and seating	2	
	K.26388	Washer—1 mm. (.039") } Needle	2	
43	K.29896	Washer—1.6 mm. (.062") } valve seating	2	
44	K.26389	Clip, needle valve	2	
45	K.26390	Float	2	
46	K.26391	Pivot	2	
47	K.26392	Pivot bracket	2	
	K.11726	Pump check valve	2	For Carbs. 1046821, 1046674, 1800023, 1800024, 1800354 and 1800355 only
48	5037774	Pump check valve	2	
49	9187023	Ball	2	
	5102838	Nozzle (Size 50)	2	For Carbs. 1046821, 1046674, 1800023 & 1800024 only
50	5102839	Nozzle (Size 70)	2	
51	K.26394	Gasket	2	
52	K.26395	Retaining screw } Pump discharge nozzle	2	
53	K.29897	Gasket—Retaining }	2	
54	K.26414	Piston	2	
55	K.26415	Piston spring	2	
56	K.26416	Retaining screw } Pump	2	
57	K.26417	Operating spindle	2	
58	K.26419	Lever, internal	2	
59	9664203	Washer, ⅝" shakeproof } Lever to	2	
60	K.13594	Nut } spindle	2	
61	5037518	Lever, external } Pump	2	
62	9664203	Washer, ⅝" shakeproof } Lever to	2	
63	K.13594	Nut } spindle	2	
64	5037495	Float chamber cover	2	
65	5040216	Float chamber cover	2	For Carbs. 1800118, 1800119, 1800354 and 1800355 only
66	K.26424	Gasket	2	
67	39034120	Screw, ¼" B.S.F. × ¼" Ch. Hd. } Float chamber	10	
68	39084180	Screw, ¼" B.S.F. × 1¼" Ch. Hd. } cover to	2	
69	9660161	Washer, ¼" spring } body	12	
70		Blanking cover		Not supplied
71	K.24718	Gasket	2	For WIP 2 & WIP 3 Carbs.
72	9050005	Screw	6	
73	9660101	Washer, ⅝" spring	6	
74	K.27803	Economy diaphragm	2	For WIA Carbs.
75	K.27804	Spring	2	
76	K.24718	Gasket } Diaphragm	4	
77	K.26433	Cover	2	

CARBURETTOR (Zenith) — SERIES I & II

Plate Ref.	Part Number	DESCRIPTION	No. per Veh.	REMARKS
		CARBURETTOR—continued		
78	K.24619	Special screw	6	} For WIA Carbs.
79	9660101	Washer, $\frac{5}{16}$ " spring } Cover to ... float chamber	6	
80	K.26425	Choke spindle c/w lever	2	} Alternatives—Check illustration
81	5039199	Choke spindle c/w lever	2	
82	9076063	Washer	2	
83	5039200	Automaticity spring	2	} Alternatives—Check illustration
84	K.26434	Automaticity spring	2	
85	K.26426	Choke butterfly	2	} For Carbs. 1046821 and 1046674 only
86	9050001	Screw—Butterfly	4	
87	K.29057	Lever c/w screws—Choke control	2	
88	K.24647	Screw—Choke control swivel	2	
89	K.24037	Screw—Fast idle rod swivel	2	} For Carbs. 1800023 and 1800024 only
	5039208	Lever c/w screws	2	
90	5040227	Lever c/w screws	2	
91	9000280	Screw—Swivel	4	} Front Carb.
92	K.24037	Screw—Interconnection swivel	1	
93	K.26430	Pivot	2	} Front Carb. For Carbs. 1800354 and 1800355 only
94	K.26431	Spring } Choke control	1	
	K.26431	Spring } lever	2	
95	K.29900	Bracket—Choke control	2	} For Carb. 1800354 only
	5039207	Bracket—Choke control	1	
96	39403051	Screw, No. 10 U.N.F. $\times \frac{1}{8}$ " F. Hd.	2	} Rear Carb.
97	9663122	Washer, $\frac{3}{16}$ " shakeproof	2	
	9067008	Washer, $\frac{3}{16}$ " plain	2	
98	K.22550	Clip—Choke control cable	1	} Front Carb.
99	39033060	Screw, 2 BA $\times \frac{3}{8}$ " Ch. Hd.	1	
100	9663122	Washer, $\frac{3}{16}$ " shakeproof	1	
101	9600521	Nut, 2 BA	1	} See Carburettor controls section
		BRACKET—Control shaft—Front Carb.		
		CHOKE CONTROL ROD—Front to rear carb.		
102	1202288	COUPLING ASSEMBLY—Throttle	1	
	5039203	Coupling ring	1	
	K.29901	Screw	2	
	9660101	Washer, $\frac{5}{16}$ " spring	2	
	K.29902	Nut	2	
103	K.29901	Screw	2	
104	9660101	Washer, $\frac{5}{16}$ " spring	2	
105	K.29902	Nut	2	
106	9664203	Washer, $\frac{3}{16}$ " shakeproof	1	
107	K.13594	Nut	1	
108	P.110093	Spring—Throttle	2	

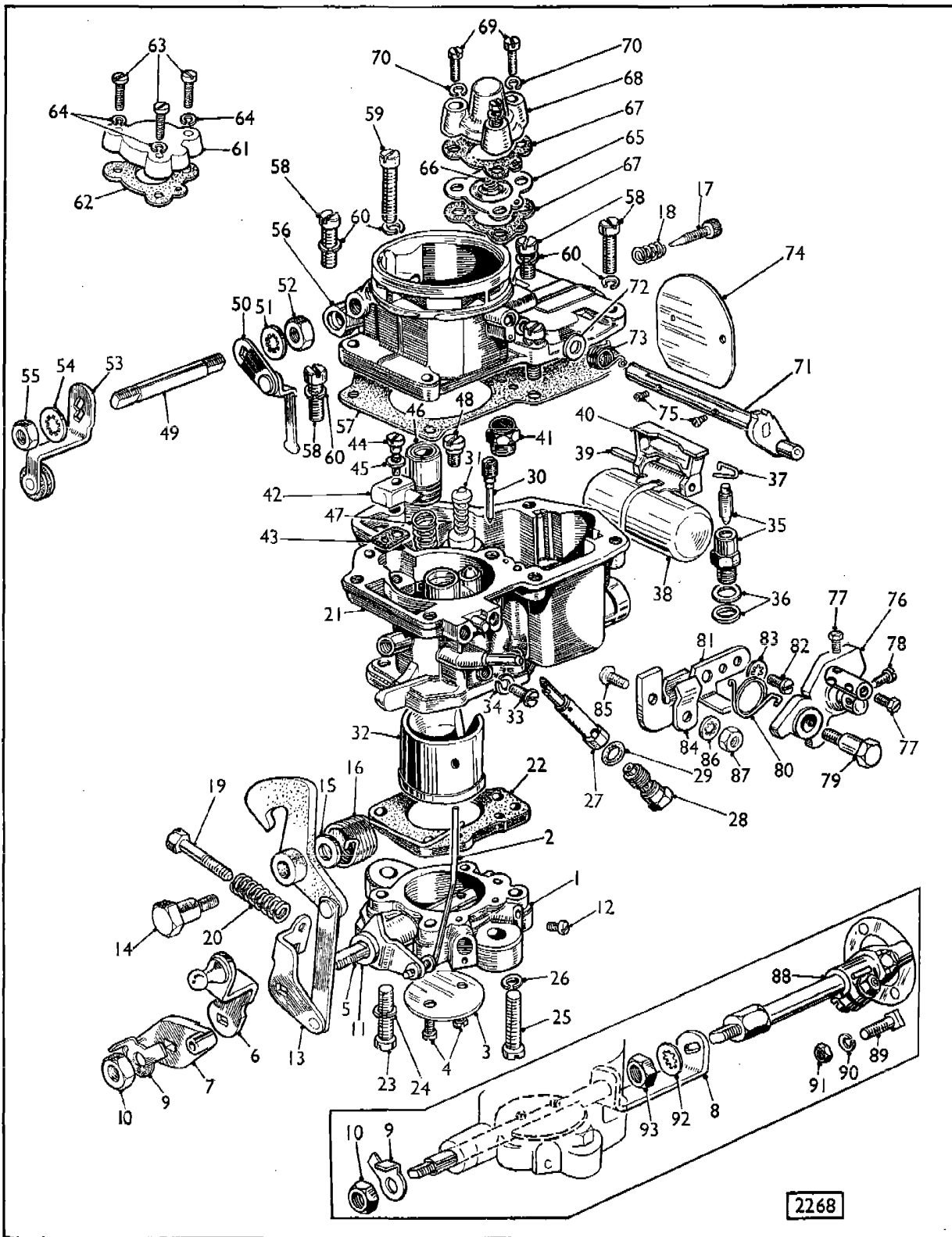
Publication No. 660992

SECTION CA

CARBURETTOR (Zenith)—SERIES III

2nd Issue

CARBURETTOR (ZENITH) — SERIES III



SECTION CA

2nd Issue

CARBURETTOR (Zenith) — SERIES III

Plate Ref.	Part Number	DESCRIPTION	No. per Veh.	REMARKS
CARBURETTOR SERIES III				
	1800388	CARBURETTOR—Front Zenith 36 WIP 3	1	} G.T.
	1800389	CARBURETTOR—Rear Zenith 36 WIP 3	1	
	1800386	CARBURETTOR—Front Zenith 36 WIA 3	1	
	1800387	CARBURETTOR—Rear Zenith 36 WIA 3	1	
1	5040964	Body assembly—Front carburettor	1	} Carb. WIP 3
	5040965	Body assembly—Rear carburettor	1	
2	5040966	Body assembly—Front carburettor	1	} Carb. WIA 3
	5040967	Body assembly—Rear carburettor	1	
2		Floating lever c/w rod Throttle	1	Front Carb.—Not supplied
3	5037492	Butterfly	2	
4	K.24037	Screw—Butterfly to spindle	4	
5	K.29891	Spindle	1	Front Carb.
6	1214744	Lever	1	} Front Carb.
7	5037453	Coupling plate assembly	1	
8	K.29893	Spindle c/w lever	1	} Rear Carb.
	9067103	Washer, $\frac{1}{8}$ " plain	2	
9	5039205	Tab washer	2	
10	K.13594	Nut	2	} Not supplied
11		Bearing } Spindle		
12		Plugging screw		
13	5039204	Stop plate c/w pump link and cam lever	2	
14	K.26430	Pivot pin	2	
15	5037516	Washer } Cam lever to main body	2	
16	5037517	Spring }	2	
17	5039222	Screw } Volume...	2	
18	K.24598	Spring—Screw } control	2	
19	5039221	Screw (Throttle stop)	2	
20	5037456	Spring—Screw (Throttle stop)	2	
21		Main bodies		Not supplied
22	K.29894	Gasket	2	
23	39034160	Screw, $\frac{1}{4}$ " B.S.F. \times 1" Ch. Hd.	4	} Throttle body to main body
24	9660161	Washer, $\frac{1}{4}$ " spring	4	
25	K.29895	Screw, small	4	
26	9660121	Washer, $\frac{3}{8}$ " spring	4	
27	K.26497	Main discharge jet	2	
	5102816	Metering jet (Size 105)	2	WIA 3 Carb.
28	5102815	Metering jet (Size 127)	2	WIP 3 Carb.
29	K.26381	Sealing ring—Metering jet	2	
30	5102865	Idle tube (Size 45)	2	
31	5102802	By-pass valve (Size 55)	2	WIA 3 Carb.
	5039274	Blanking plug—By-pass	2	WIP 3 Carb.
	5107835	Choke tube (Venturi) (Size 28)	2	WIA 3 Carb.
32	5107837	Choke tube (Venturi) (Size 29)	2	WIP 3 Carb.
33	9050012	Screw—Choke tube	2	
34	9660161	Washer, $\frac{1}{4}$ " spring	2	
	K.26387	Needle valve and seating	2	WIP 3 Carb.
35	5110259	Needle valve and seating	2	WIA 3 Carb.
36	K.26388	Washer—Needle valve	2	
37	K.26389	Clip—Needle valve...	2	
38	K.26390	Float	2	

CARBURETTOR (Zenith) — SERIES III

Plate Ref.	Part Number	DESCRIPTION	No. per Veh.	REMARKS
		CARBURETTOR—continued		
39	K.26391	Pivot ...	2	
40	K.26392	Pivot bracket ...	2	
41	5037774	Pump check valve ...	2	
42	5111708	Nozzle (Size 90)—Pump discharge	2	
43	K.26394	Gasket ...	2	
44	5040968	Retaining screw ...	2	
45	K.29897	Gasket—Retaining screw ...	2	
46	K.26414	Piston ...	2	
47	K.26415	Piston spring ...	2	
48	K.26416	Retaining screw ...	2	
49	K.26417	Operating spindle ...	2	
50	K.26419	Lever, internal ...	2	
51	9664203	Washer, $\frac{1}{8}$ " shakeproof ...	2	
52	K.13594	Nut ...	2	
53	5037518	Lever, external ...	2	
54	9664203	Washer, $\frac{1}{8}$ " shakeproof ...	2	
55	K.13594	Nut ...	2	
	5040216	Float chamber cover ...	2	For Carb. WIP 3
	5040969	Float chamber cover ...	2	For Carb. WIA 3
57	K.26424	Gasket ...	2	
58	39034120	Screw, $\frac{1}{4}$ " B.S.F. \times $\frac{3}{4}$ " Ch. Hd. ...	10	
59	39084180	Screw, $\frac{1}{4}$ " B.S.F. \times $1\frac{1}{8}$ " Ch. Hd. ...	2	
60	9660161	Washer, $\frac{1}{4}$ " spring ...	12	
61		Blanking cover (Not supplied) ...		
62	K.24718	Gasket ...	2	
63	K.24619	Screw ...	6	
64	9660101	Washer, $\frac{1}{8}$ " spring ...	6	
65	K.27803	Economy diaphragm ...	2	
66	K.27804	Spring ...	2	
67	K.24718	Gasket ...	4	
68	K.30057	Cover ...	2	
69	K.24619	Screw, special ...	6	
70	9660101	Washer, $\frac{1}{2}$ " spring ...	6	
71	5039199	Choke spindle c/w lever ...	2	
72	9076063	Washer—Choke spindle ...	2	
73	5039200	Automaticity spring ...	2	
74	K.26426	Choke butterfly ...	2	
75	9050001	Screw—Butterfly to spindle ...	4	
76	5039208	Lever c/w screws—Choke control ...	2	
77	9000280	Screw—Swivel ...	4	
78	K.24037	Screw—Interconnection swivel ...	1	Front Carb.
79	K.26430	Pivot ...	2	
80	K.26431	Spring ...	1	
81	5039207	Bracket ...	1	Front Carb.
	K.29900	Bracket ...	1	Rear Carb.
82	39403051	Screw, No. 10 U.N.F. \times $\frac{5}{8}$ " F. Hd. ...	2	
83	9663122	Washer, $\frac{3}{8}$ " shakeproof ...	2	
84	K.22550	Clip—Choke control cable ...	1	
85	39033060	Screw, 2 BA \times $\frac{3}{8}$ " Ch. Hd. ...	1	
86	9663122	Washer, $\frac{3}{8}$ " shakeproof ...	1	
87	9600521	Nut, 2 BA ...	1	
		BRACKET—Control Shaft (See Carburettor Controls section)		

CARBURETTOR (Zenith) — SERIES III

Plate Ref.	Part Number	DESCRIPTION	No. per Veh.	REMARKS
		CARBURETTOR—continued		
		CHOKE CONTROL ROD—Front to Rear (See Carburettor Controls section)		
88	1202288	COUPLING ASSEMBLY—Throttle	1	
	5039203	Coupling ring	1	
	K.29901	Screw	2	
	9660101	Washer, $\frac{5}{16}$ " spring } Ring to coupling	2	
	K.29902	Nut	2	
89	K.29901	Screw	2	
90	9660101	Washer, $\frac{5}{16}$ " spring } Coupling to front carburettor	2	
91	K.29902	Nut	2	
92	9664203	Washer, $\frac{5}{16}$ " shakeproof } Coupling to	1	
93	K.13594	Nut	1	
	5040229	Gasket set—Carburettor	1	

CARBURETTOR (Zenith) — SERIES III

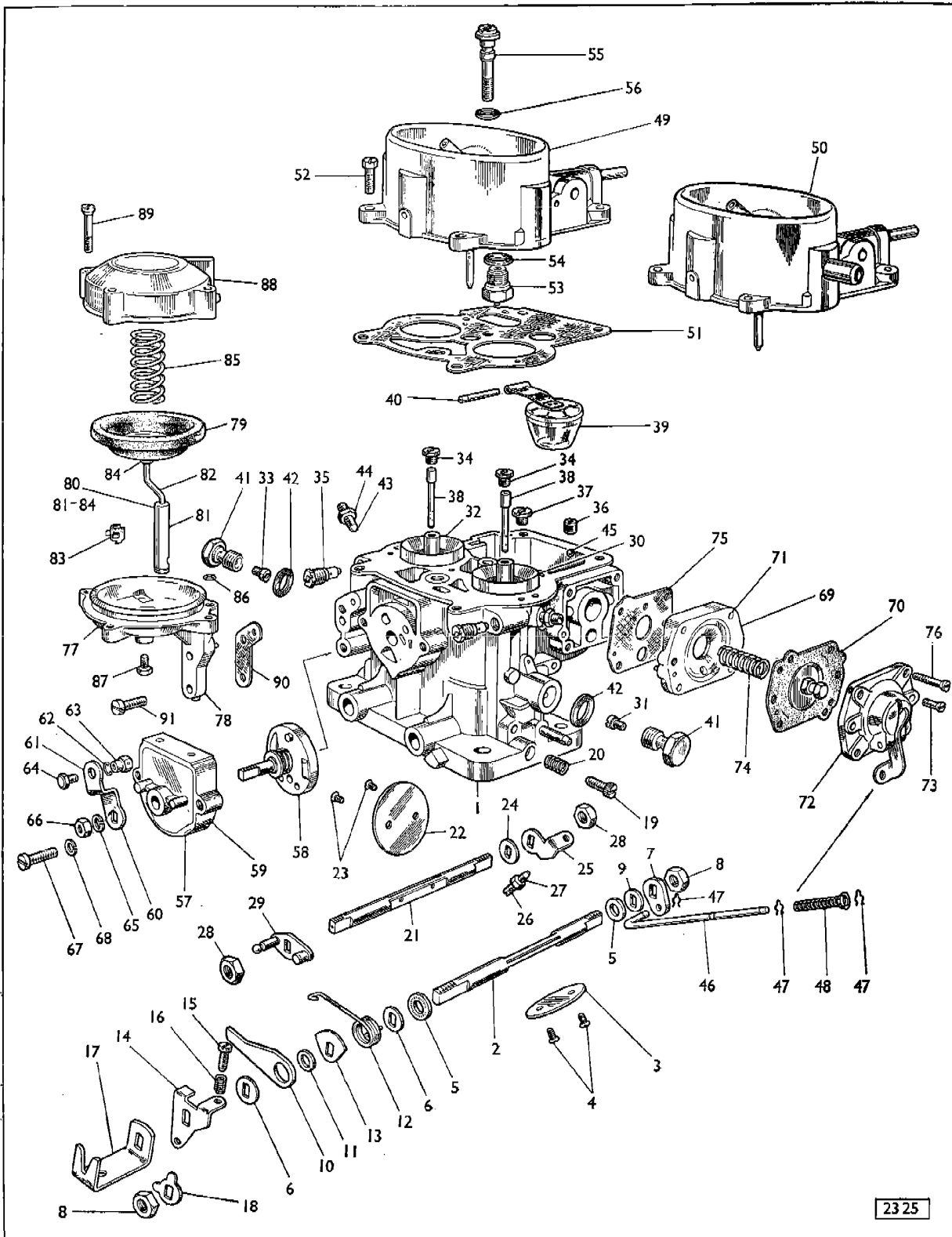
Plate Ref.	Part Number	DESCRIPTION	No. per Veh.	REMARKS

Publication No. 6600992

SECTION CB

CARBURETTOR (Solex) Series III and IV

CARBURETTOR (Solex) — Series III and IV



23 25

SECTION CB

CARBURETTOR (Solex) — Series III and IV

Plate Ref.	Part Number	DESCRIPTION	No. per Veh.	REMARKS
	1800470	CARBURETTOR	1	Series III Series IV Series III Series IV up to B94100000; BU, B94600000 CKD. Series IV from B94100001; BU, B94600001 CKD. Series IV up to B94100000; BU, B94600000 CKD. Series IV from B94100001; BU, B94600001 CKD. Not supplied
	1800702	CARBURETTOR	1	
	1800703	CARBURETTOR	1	
	1800503	CARBURETTOR	1	
	1800699	CARBURETTOR	1	
	1800881	CARBURETTOR	1	
	1800592	CARBURETTOR	1	
	1800919	CARBURETTOR	1	
1		Main body assembly	1	
2	5041280	Spindle	1	
3	5041281	Butterfly	1	
4	9050002	Screw—Butterfly to spindle	2	
5	5041267	Seating washer	2	
6	K.26027	Distance washer	2	
7	5041388	Intermediate lever	1	
8	K.11445	Nut—Spindle end	2	
9	5200522	Distance washer	1	
10	5041389	Floating lever	1	
11	5041390	Bush—Floating lever	1	
12	5041282	Return spring—Floating lever	1	
13	5037072	Washer—Spring locating	1	
14	5041391	Plate—Abutment	1	
15	5039460	Screw—Slow running	1	
	K.11408	Screw—Slow running	1	
16	K.11432	Spring—Slow running screw	1	
17	P.116914	Lever	1	
	1223772	Lever	1	
18	7080133	Locking washer	1	
19	K.11431	Screw—Volume control	1	
20	K.11432	Spring—Volume control screw	1	
21	5041283	Spindle	1	
22	5041281	Butterfly	1	
23	9050022	Screw—Butterfly to spindle	2	
24	K.26027	Distance washer	1	
25	5041392	Plate—Abutment	1	
26	7080101	Screw—Throttle stop	1	
27	9029000	Nut—Throttle stop screw	1	
28	K.11445	Nut—Spindle end	2	
29	5041393	Control lever c/w ball pin	1	
30	5112189	Choke tube (Size 24)	1	
31	5102523	Main jet (Size 120)	1	
	5102532	Main jet (Size 117-5)	1	
	5102522	Main jet (Size 115)	1	

CARBURETTOR (Solex) — Series III and IV

Plate Ref.	Part Number	DESCRIPTION	No. per Veh.	REMARKS
		CARBURETTOR—continued		
32	5112195	Choke tube (Size 26)	1	
33	5102518	Main jet (Size 155)	1	For Carbs. 1800470, 1800702 and 1800703 For Carbs. 1800503, 1800592, 1800699, 1800881 and 1800919
	5102534	Main jet (Size 130)	1	
		} Automatic barrel		
34	5102592	Correction jet (Size 210)	2	For Carbs. 1800470, 1800702 and 1800703
	K.14603	Correction jet (Size 190)	2	For Carbs. 1800503, 1800881, 1800592, 1800699 and 1800919
35	5102491	Pilot jet (Size 60)	2	For Carbs. 1800470, 1800919, 1800503, 1800702, 1800699, 1800703, 1800881 and 1800592
36	5102701	Bleed—Pump back (Size 50)	1	For Carbs. 1800470, 1800919, 1800503, 1800702, 1800699, 1800703, 1800881 and 1800592
37	5112201	Starter jet (Size 140)	1	For Carbs. 1800470 and 1800503
	5102580	Starter jet (Size 130)	1	For Carbs. 1800702, 1800592, 1800699, 1800703, 1800881 and 1800919
38	5041284	Emulsion tube	2	
39	5041285	Float	1	
40	5041286	Spindle—Float	1	
41	5041287	Holder—Main jet	2	
42	K.12553	Washer—Main jet holder	2	
43	5041288	Screw—Choke fixing	2	
44	5041289	Nut—Choke fixing screw	2	
45	K.19651	Ball—Non return valve	1	
46	5041394	Rod—Pump control	1	
47	5040454	Circlip } Pump	3	
48	5040453	Spring } rod	1	
49	5041290	Cover	1	Series III Series IV Superseded by 5042587
50	5042269	Cover	1	
51	5041291	Gasket—Cover	1	
	5042587	Gasket—Cover	1	
52	9050018	Screw—Cover fixing	4	
53	5112207	Needle valve (Size 2-5)	1	
54	9078074	Washer—Needle valve	1	
55	5041292	Tube—Pump injector feed	1	
56	9078015	Washer—Injector feed tube	1	

CARBURETTOR (Solex) — Series III and IV

Plate Ref.	Part Number	DESCRIPTION	No. per Veh.	REMARKS	
		CARBURETTOR—continued			
57		STARTER ASSEMBLY			
58	5041395	Valve	1	Not supplied For Carbs. 1800470 and 1800503	
	5043086	Valve	1		
59	5041396	Cover	1	Not supplied	
60		Lever assembly } Starter			
61	5041397	Lever	1		
62	5041398	Circlip	1		
63	5041399	Swivel	1		
64	5040472	Screw—Swivel	1		
65	5200521	Washer—Swivel	1		
66	5041289	Nut	1		
67	5041293	Screw	2		
68	9660121	Washer, $\frac{3}{8}$ " spring } Starter fixing	2		
69		PUMP ASSEMBLY		Not supplied	
70	5041294	Membrane (Diaphragm)	1	Superseded by 9050003	
71	5041295	Body	1		
72	5041296	Cover	1		
73	K.12558	Screw } Cover } Pump	2		
	9050003	Screw } fixing	2		
74	5041297	Spring	1		
75	K.29997	Gasket } Pump unit	1		
76	K.12550	Screw } fixing	4		
77		DEPRESSION CHAMBER ASSEMBLY			Not supplied
78	5041477	Depression chamber	1		Not supplied
79	5041478	Membrane (Diaphragm)	1		
80	5041479	Actuating rod assembly	1		
81		Socket—Ball joint			
		Spring			
82		Membrane rod } Actuating rod			
		Retaining washer }			
83	5041298	Spring clip	1		
84	5041480	Nut	1		
85	5041299	Spring—Membrane	1		
86	5040459	Sealing ring	1	Superseded by K.12557	
87	K.12549	Screw } Outer cable	1		
	K.12557	Screw } fixing (Starter)	1		
88	5041300	Cover—Depression chamber	1	Alternatives	
89	9050008	Screw—Cover fixing	4		
90	5041301	Joint	1		
91	9050020	Screw } Depression chamber	2		
	9029000	Nut } to main body	2		
	5043735	Tab washer	1		
	5042020	Gasket set—Carburettor	1		

CARBURETTOR (Solex) — Series III and IV

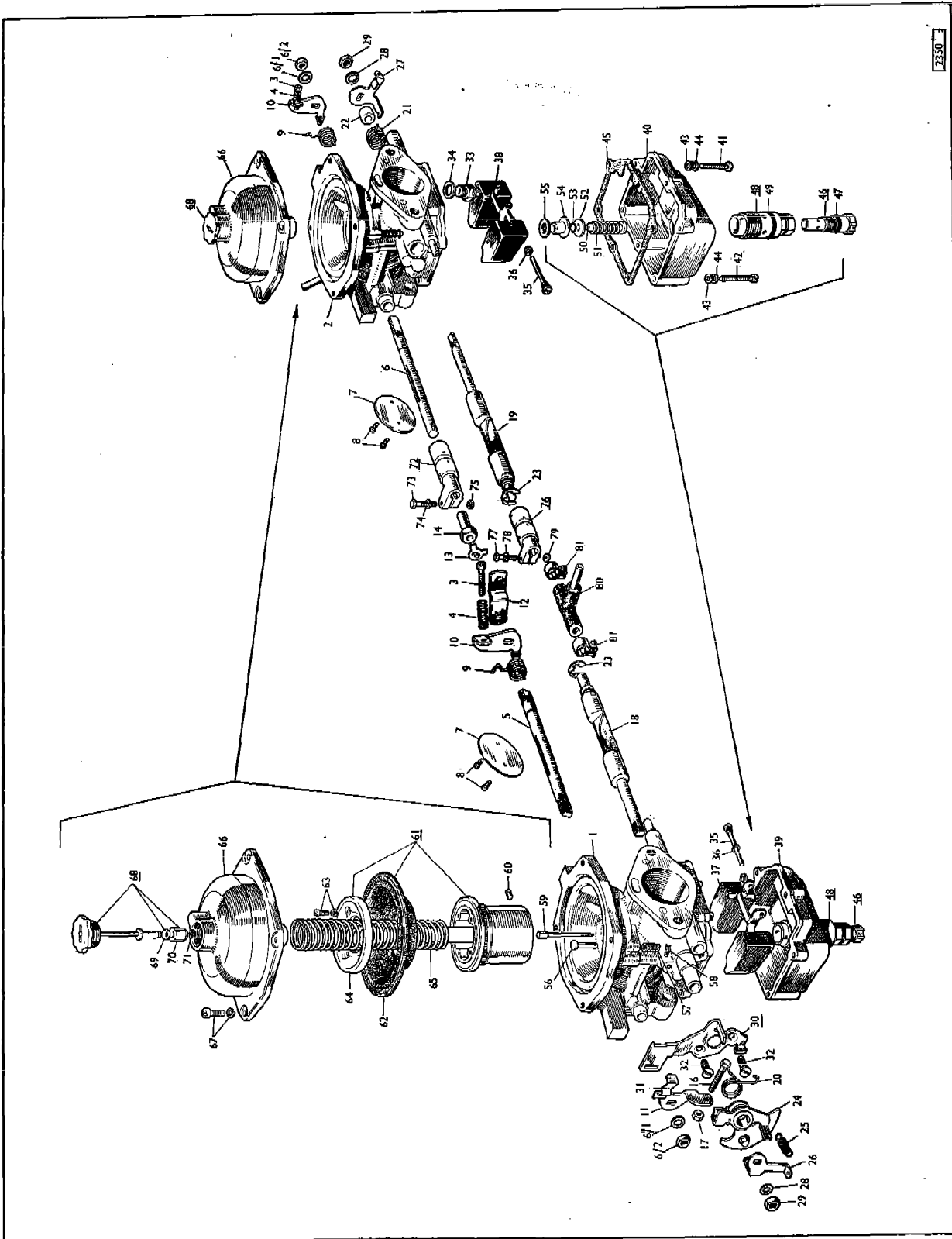
Plate Ref.	Part Number	DESCRIPTION	No. per Veh.	REMARKS

Publication No. 6600992

SECTION CC

**CARBURETTOR (Stromberg)
Series V onwards**

CARBURETTOR (Stromberg) — Series V onwards



SECTION CC

CARBURETTOR (Stromberg) — Series V onwards

Plate Ref.	Part Number	DESCRIPTION	No. per Veh.	REMARKS
	1801190	CARBURETTOR—(Front)	1	
	1801191	CARBURETTOR—(Rear)	1	
1		Main body (Front)		} Not supplied
2		Main body (Rear)		
3	5043248	Screw } Throttle	2	} See Note A
	5058814	Screw } stop	2	
4	5043249	Spring—Throttle stop screw	2	
5	5044241	Throttle spindle	1	Front Carburettor—See Note A
	7080323	Throttle spindle	1	Front Carburettor—See Note B
6	5044242	Throttle spindle	1	Rear Carburettor
6/1	9661181	Washer, shakeproof } Throttle	2	} spindle
6/2	9029005	Nut	2	
7	5044246	Butterfly	2	
8	5044270	Screw } Butterfly	4	} See Note A
	5043198	Screw } fixing	4	
9	5043200	Throttle return spring	2	
10	5044243	Throttle stop	2	
11	5044245	Fast idler lever	1	
12	1235158	Throttle lever	1	} Front Carburettor
13	5038548	Tabwasher } Throttle	1	
14	5044244	Extension nut } spindle	1	} Front Carburettor
16	5043206	Fast idling screw	1	
17	5043207	Locknut—Fast idling screw	1	
18	5044247	Choke spindle	1	} Rear Carburettor
19	5044248	Choke spindle	1	
20	5044250	Spring } Choke	1	} Front Carburettor
21	5043211	Spring } spindle	1	
22	5044285	Spring retaining bush	1	} Rear Carburettor
23	5043212	*Retaining ring—Choke spindle	2	
24	5044283	Lever and Cam assembly—Choke	1	} Front Carburettor
25	5043214	Return spring—Choke lever	1	
26	5044249	Choke lever	1	} Rear Carburettor
27	5043215	Choke lever	1	
28	9661181	Washer, shakeproof—Choke spindle	2	
29	9029005	Nut—Choke spindle	2	
30	5044284	Choke control bracket c/w clip	1	} See Note A } Front Carburettor
31	5043889	Clip } Bracket	1	
	5058194	Clip } Bracket	1	
32	7080270	Screw—Bracket	2	
33	K.24608	Needle valve—1.5 mm.	2	
34	5044255	*Washer } Needle	2	} See Note A
	9077071	*Washer } valve	2	
35	5044268	Float fulcrum screw	2	
36	9660113	Spring washer—Fulcrum screw	2	
37	5044266	Float } Rubber	1	} Front Carburettor } See Note A
38	5044267	Float } Rubber	1	
	5058811	Float and arm } Nylon	1	} Front Carburettor } See Note B
	5058812	Float and arm } Nylon	1	
39	5044257	Float chamber	1	Front Carburettor
40	5044258	Float chamber	1	Rear Carburettor
41	5044282	Screw (Short)	6	} Float chamber to main body
42	5044281	Screw (Long)	6	
43	5043222	Washer—Plain	12	
44	9660113	Washer—Spring	12	

CARBURETTOR (Stromberg) — Series V onwards

Plate Ref.	Part Number	DESCRIPTION	No. per Veh.	REMARKS
		CARBURETTOR—continued		
45	5044256	*Gasket—Float chamber	2	
46	5043224	Screw c/w "O" ring—Orifice adjusting	2	
47	K.26381	*"O" ring	2	
48	5044254	Bushing retaining screw c/w "O" ring	2	See Note A
	5058195	Bushing retaining screw c/w "O" ring	2	See Note B
49	5043226	*"O" ring	2	
50	5044253	Jet orifice	2	
51	5043228	Spring—Jet orifice	2	
52	5043229	Washer—"O" ring retaining	2	
53	5043230	*"O" ring } Jet	2	
54	5043231	Bushing } orifice	2	
55	5043232	Washer—Jet orifice bushing	2	
56	5044251	Air valve pin	2	
57	5044252	Spring—Air valve pin	2	
58	5043235	*Clip—Air valve pin retaining	2	
59	5113831	Metering needle (SM)	2	
	5058887	Metering needle } High altitude	2	5,000 ft. to 10,000 ft.
	5058888	Metering needle } carburetors	2	Over 10,000 ft.
60	5043236	Locking screw—Metering needle	2	
61	5044261	Air valve, shaft and diaphragm	2	See Note A
	5058813	Air valve, shaft and diaphragm	2	See Note B
62	5044259	Diaphragm	2	
63	5043239	Screw and spring washer—Retaining diaphragm	8	
64	5044260	Retaining washer—Diaphragm... ..	2	
65	5044271	Air valve return spring	2	
66	5044262	Suction chamber cover	2	
67	5043243	Screw and spring washer—Suction chamber cover to main body	8	
68	5044265	Damper assembly	2	
69	5058196	*Washer	2	
70	5044264	Bushing	2	
71	5043247	*Retaining ring	2	
	5044273	GASKET AND "O" RING SET	2	Comprises items *
72	5044280	Throttle coupling assembly	1	
73	5044277	Clamping bolt	1	
74	9067091	Washer—Plain	1	
75	9600541	Nut—No. 4 B.A.	1	
76	5044280	Choke coupling assembly	1	
77	5044277	Clamping bolt	1	
78	9067091	Washer—Plain	1	
79	9600541	Nut—No. 4 B.A.	1	
80	1235907	"T" piece—Petrol pipe See Data 2A/329	1	
81	9784073	Clip—"T" piece	2	
		NOTE A. Fitted up to B395013384.		
		NOTE B. Fitted from B395013385.		

Publication No. 660092

SECTION D

CARBURETTOR (Zenith) CONTROLS

Series I, II and III

2nd Issue

CARBURETTOR CONTROLS

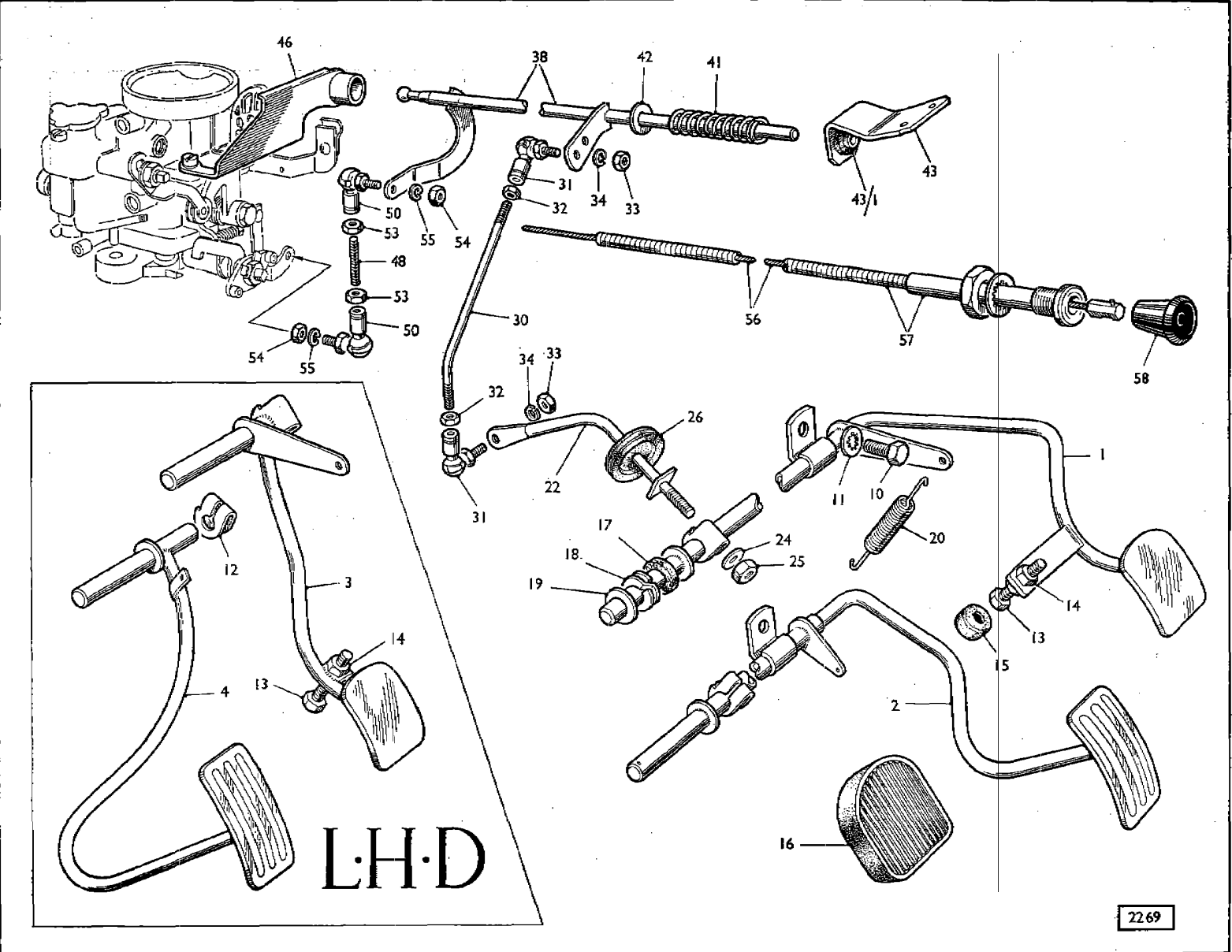


PLATE A — SECTION D

CARBURETTOR CONTROLS

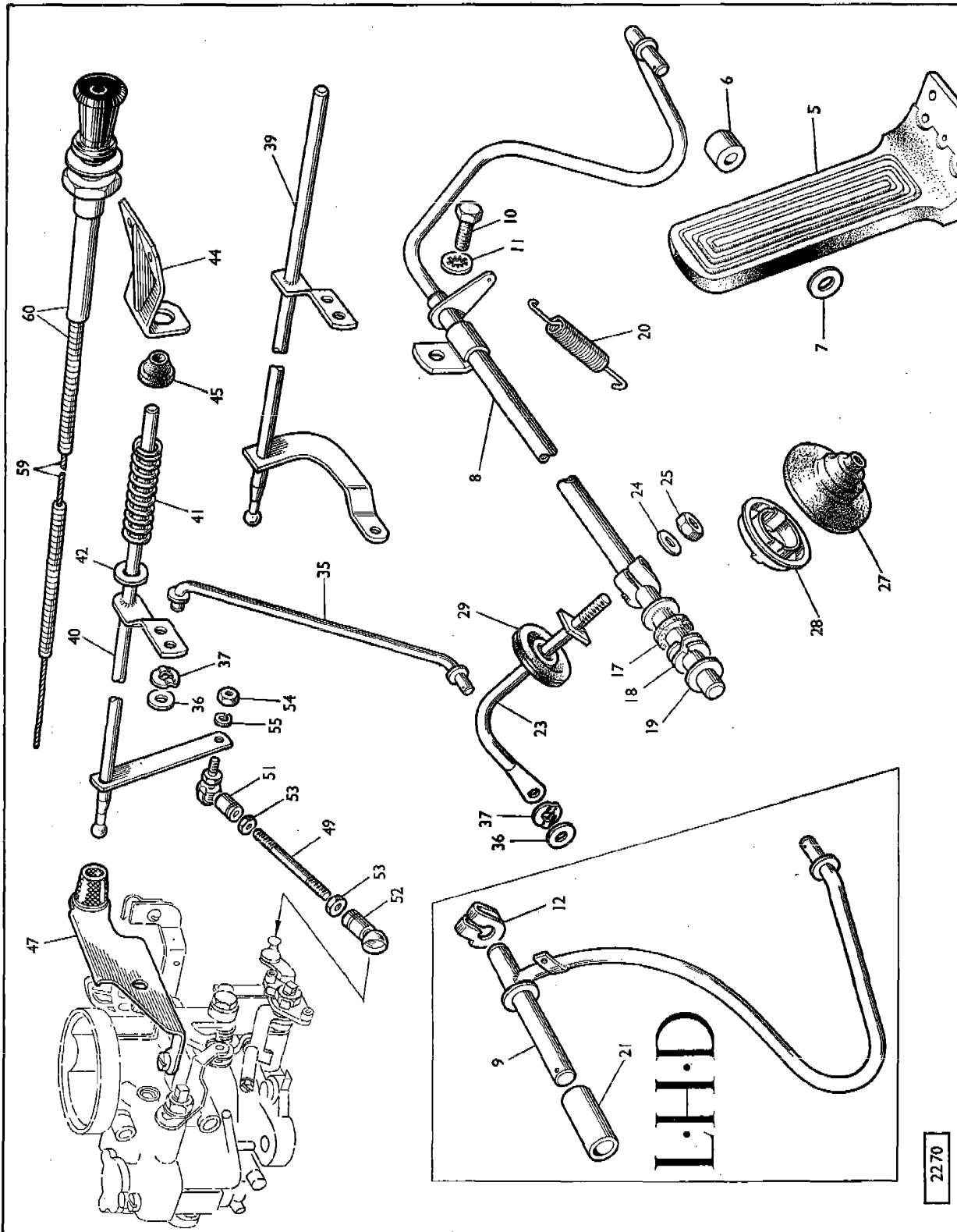


PLATE B — SECTION D

CARBURETTOR (ZENITH) CONTROLS

Plate Ref.	Part Number	DESCRIPTION	No. per Veh.	REMARKS
A1	1201596	ACCELERATOR PEDAL	1	Up to 12016713 From B9004812
	1201673	ACCELERATOR PEDAL } R.H.D.	1	
A2	1206075	ACCELERATOR PEDAL	1	Series II Up to 1201675
	1201605	ACCELERATOR PEDAL	1	
A3	1201675	ACCELERATOR PEDAL	1	From B9004886 up to Series II
		ACCELERATOR PEDAL } L.H.D.	1	
A4	1206080	ACCELERATOR PEDAL	1	Series II
B5	1206352	ACCELERATOR PEDAL (R.H.D. and L.H.D.)	1	
B6	5220695	Setscrew, 1/4" UNF. x 3/8"	3	Series III
	9664162	Washer, 1/4" spring	2	
	9732066	Screw, No. 6 x 3/8" Bd. Hd.	1	
	1215191	Nylon roller ... } Cross shaft to	1	
	9067034	Washer, 3/8" plain } accelerator pedal	1	
B8	1206353	CROSS SHAFT—Accelerator (R.H.D.)	1	}
B9	1206355	CROSS SHAFT—Accelerator (L.H.D.)	1	
AB10	5220683	Screw, 5/8" UNF. x 1/2" } Fulcrum plate to pedal	1	}
AB11	9664203	Washer, 5/8" shakeproof } mounting bracket (R.H.D.)	1	
AB12	1201627	Clip } Operating lever	1	Superseded by 1206158 From B9004886
	1206158	Clip } (L.H.D.)	1	
A13	19505121	Screw, 5/8" UNF. x 1 1/2"	1	} Up to B9004811
A14	5220701	Nut, 5/8" UNF.	1	
A15	1201601	Boot ... } Adjustable pedal stop	1	
A16	P.109231	Rubber pad	1	Superseded by 5220379 Up to B9000199 From B9000200 up to B9004811 Superseded by 9120051
	5220379	Rubber pad } Pedal	1	
	1201583	Rubber pad	1	
AB17	P.101413	Felt washer ... } Pedal to	1	}
	9120051	Felt washer ... } bracket ...	1	
AB18	9086011	Washer, 1/2" spring	1	Up to B9004811 R.H.D. and B9004885 L.H.D.
AB19	9067056	Washer, 1/2" plain	1	
	P.110094	Return spring ...	1	
AB20	1201678	Return spring ...	1	Superseded by P.110094 From B9004812 R.H.D. and B9004886 L.H.D.
	P.110094	Return spring ...	1	
B21	1200356	Distance piece—Accelerator pedal shaft—(L.H.D.)	1	From B9108083
A22	P.116603	OPERATING LEVER	1	Series I and II up to B9110581
B23	1206404	OPERATING LEVER	1	Series II from B9110582 and Series III
AB24	9067023	Washer, 5/8" plain } Operating lever	1	}
AB25	9552053	Nut, 5/8" UNF. nyloc } to shaft	1	
A26	P.45489	Grommet ... (Superseded by 1045489)	1	Up to B9002459 From B9002460 up to 1045489 Late Series II and Series III
B27	1205068	Bellows ... } Operating	1	
B28	1205069	Retainer and clip—Bellows } lever	1	
B29	1045489	Grommet ...	1	}
A30	1201593	Control rod ...	1	
A31	P.108799	Ball joint—Control rod	2	} Series I and II up to B9110581
A32	5220700	Nut, No. 10 UNF.—Ball joint to control rod	2	
A33	5220700	Nut, No. 10 UNF. ... } Ball joint to	2	
A34	9663122	Washer, 5/8" shakeproof } operating lever	2	

CARBURETTOR (ZENITH) CONTROLS

Plate Ref.	Part Number	DESCRIPTION	No. per Veh.	REMARKS
		CARBURETTOR CONTROLS—continued		
B35	1206406	Control rod—Operating lever to shaft	1	} Series II from B9110582 and Series III
B36	9067014	Washer, 1/8" plain } Control	2	
B37	9075008	Washer, 1/8" waved } rod	2	
	1201498	CONTROL SHAFT	1	} Superseded by 1206139 Series I and II up to B9103627
	1201594	CONTROL SHAFT	1	
	1206139	CONTROL SHAFT	1	
A38	1206242	CONTROL SHAFT } Complete with levers	1	} Series II from B9103628 up to B9110581 Superseded by 1206579 Series II from B9110582 up to Series III Series III
	1206427	CONTROL SHAFT	1	
B39	1206579	CONTROL SHAFT	1	
B40	1219485	CONTROL SHAFT	1	
AB41	P.111974	Spring } Control shaft	1	} Series I and II
AB42	9067023	Washer, 5/16" plain } to bracket	1	
A43	1201496	Bracket	1	
A43/1	9116229	Grommet } Control shaft to bulkhead	1	
B44	1206401	Bracket	1	
B45	1206403	Grommet—Bulkhead bracket	1	} Series III
	19503041	Screw, No. 10 UNF. x 1/2"	2	
	9663122	Washer, 1/8" shakeproof } Bracket to bulkhead	2	
	9067011	Washer, 3/8" plain	2	Series III
A46	P.118849	Bracket } Control shaft to	1	Series I and II
B47	5041084	Bracket } front carburettor	1	Series II Le-Mans and Series III
		Note. Bracket is secured under float chamber cover screws.		
A48	P.116601	Control rod } Control shaft to	1	Series I and II
B49	1206400	Control rod } carburettor operating lever	1	Series III
A50	P.117316	Ball joint—Rod to control shaft levers	2	Up to B9005250
B51	P.117316	Ball joint } Rod to	1	} From B9005251
B52	1203645	Socket—Ball joint } levers	1	
AB53	5220700	Nut, No. 10 UNF.—Ball joint to rod	2	
AB54	5220700	Nut, No. 10 UNF. } Ball joints	2	
AB55	9663122	Washer, 3/8" shakeproof } to lever	2	
	P.112070	Choke control rod (Front to rear carburettors)	1	
		CHOKE CONTROL COMPLETE—Not supplied		
A56	5037372	Inner wire } Choke	1	} Series I
A57	5037373	Body and tube } control	1	
A58	P.111250	Knob—Choke wire	1	
		CHOKE CONTROL COMPLETE—Not supplied		
B59	5038385	Knob and wire	1	} Series II and III
B60	5038386	Body and tube	1	

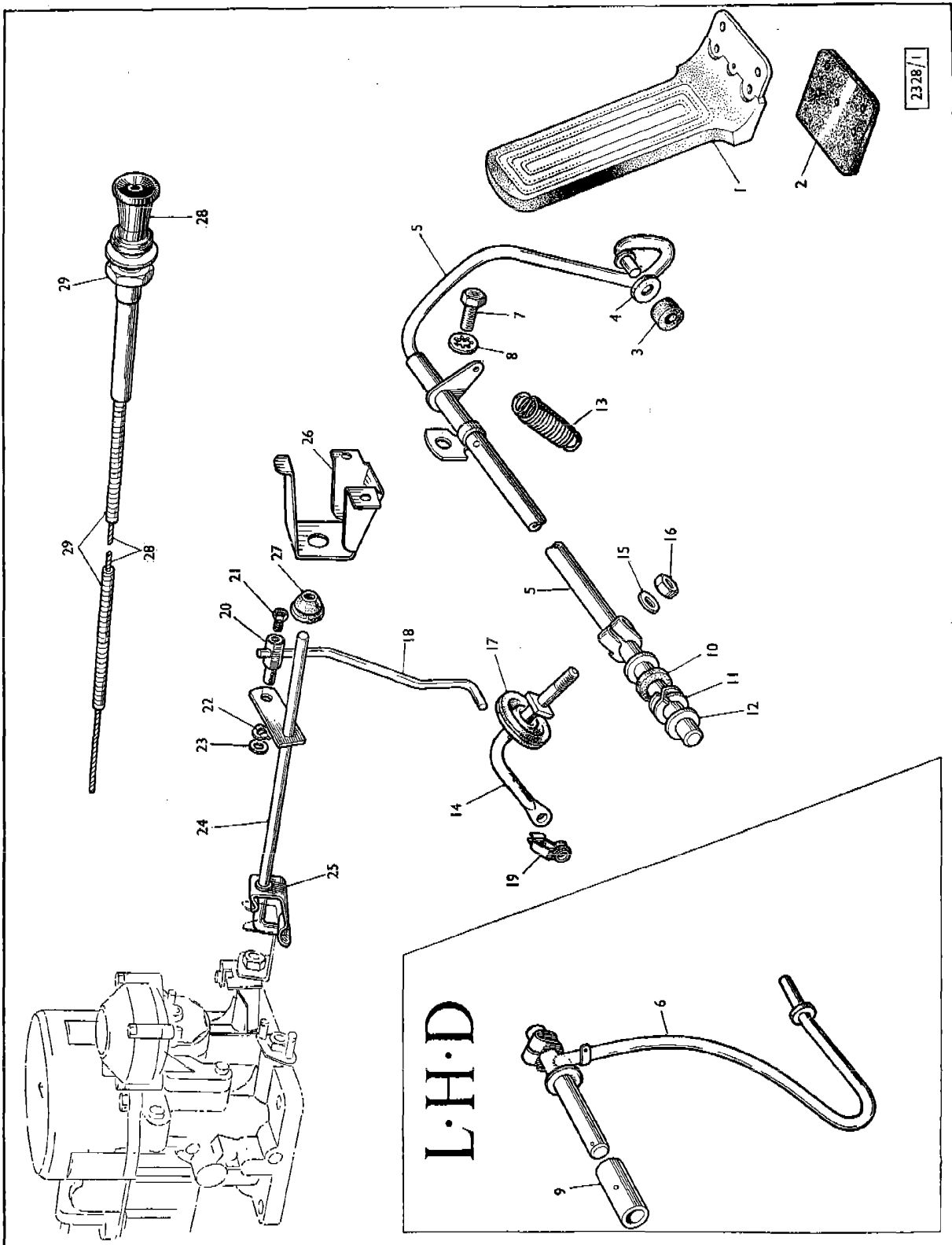
Publication No. 6600992

SECTION DA

CARBURETTOR (SOLEX) CONTROLS

Series III and IV—Standard Transmission

CARBURETTOR (SOLEX) CONTROLS — Series III and IV — Standard Transpmission



2328/1

SECTION DA

CARBURETTOR (Solex) CONTROLS — Series III and IV. — Standard Transmission

Plate Ref.	Part Number	DESCRIPTION	No. per Veh.	REMARKS
	1206352	ACCELERATOR PEDAL	1	} For use when alternative pedal position is required
	5220695	Setscrew, 1/4" UNF. x 3/8" } Pedal to	2	
	9664162 s/d by 9664163	Washer, 1/4" spring } floor	2	
	1208021 s/d by 1228282	Packing piece	1	
	9732106 s/d by 9772106	Screw, No. 6 x 3/8" Bdg. Hd. } Pedal to	1	
	1228282	Packing piece } floor	1	
	9772086	Screw, No. 6 x 1/2"	A/R	
	1215191	Roller } Cross shaft to	1	
	9067034	Washer, 3/8" plain } accelerator pedal	2	
	1206710 s/d by 1229377	CROSS SHAFT—Accelerator (R.H.D.)	1	
	1206708 s/d by 1229378	CROSS SHAFT—Accelerator (L.H.D.)	1	
	5220683	Screw, 3/8" UNF. x 1/2" } Fulcrum plate to pedal	1	
	9664203	Washer, 3/8" shakeproof } mounting bracket (R.H.D.)	1	
	1206158	Clip—Operating lever (L.H.D.)	1	
	1200356	Distance piece (L.H.D.)	1	
	9120051	Felt washer	1	
	9086011	Washer, 1/2" D.C. spring } Cross shaft	1	
	9067056	Washer, 1/2" plain	1	
	1205543	Return spring	1	
	1200455	OPERATING LEVER	1	
	9067023	Washer, 3/8" plain } Operating lever	1	
	9552053	Nut, 3/8" UNF. Nyloc } to shaft	1	
	1045489	Grommet	1	
	1206716	CONTROL ROD	1	
	9662122	Washer, 3/8" spring } Control rod	2	
	9067008	Washer, 3/8" plain } to levers	2	
	1207530	Operating shaft c/w lever	1	
	1206706	Bulkhead bracket	1	
	1206720	Rawlnut, No. 10 UNF. } Bracket to	3	
	39303120 s/d by 39313121	Screw, No. 10 UNF. x 1/2" } bulkhead	3	
	1215595	Grommet (Bearing)	1	
	1203010	Clip—Operating shaft to carburettor lever	1	
1	1206352	ACCELERATOR PEDAL	1	} From B94100001 BU B94600001 CKD
	9775106	Tapping screw, No. 12 x 3/8"	2	
	9067017	Washer, No. 12 plain	2	
2	1228282	Packing piece	1	
3	1215191	Roller	1	
4	9067034	Washer—Roller to stem	2	
5	1229377	CROSS SHAFT—Accelerator—R.H.D.	1	} From B94100001 BU B94600001 CKD up to B94101776
6	1229378	CROSS SHAFT—Accelerator—L.H.D.	1	
	1229380	CROSS SHAFT—Accelerator—R.H.D.	1	} From B94101777
	1229379	CROSS SHAFT—Accelerator—L.H.D.	1	
7	5220683	Screw, 3/8" UNF. x 1/2" } Fulcrum plate to	1	} From B94100001 BU B94600001 CKD
8	9664203	Washer, 3/8" shakeproof } pedal mounting bracket } R.H.D.	1	
9	1200356	Distance piece (L.H.D.)	1	
10	9120051	Felt washer	1	
11	9086011	Washer, 1/2" spring } Cross shaft	1	
12	9067423	Washer, 1/2" plain	1	
13	1205543	Return spring	1	

CARBURETTOR (Solex) CONTROLS — Series III and IV — Standard Transmission

Plate Ref.	Part Number	DESCRIPTION	No. per Veh.	REMARKS
		CARBURETTOR CONTROLS—continued		
14	1200455	OPERATING LEVER	1	From B94100001 BU B94600001 CKD Not supplied
15	9067023	Washer, $\frac{1}{8}$ " plain ... } Operating lever	1	
16	9034042	Nut, $\frac{1}{8}$ " UNF. Cleveloc } to shaft	1	
17	1045489	Grommet	1	
18	1229356	CONTROL ROD—Operating Lever to Shaft	1	
19	P.116554	Clip—Rod to operating lever	1	
20	1229355	Trunnion—Control rod	1	
21	19503021	Screw, No. 10 UNF. $\times \frac{1}{4}$ "—Trunnion	1	
22	9662122	Washer, No. 10 spring } Trunnion to	1	
23	9068008	Washer, No. 10 plain } operating lever	1	
24	1206726	Operating shaft c/w lever	1	
25	1203010	Clip—Operating shaft to carburettor lever	1	
26	1206706	Bulkhead bracket—Operating shaft	1	
	39313121	Screw, No. 10 UNF. ... } Bracket to	3	
	1206720	Rawlnut, No. 10 UNF. } bulkhead	3	
27	1215595	Grommet (Bearing)—Bracket	1	
		CHOKE CONTROL COMPLETE		
28	5038385	Knob and wire	1	
29	5042053	Body and tube	1	

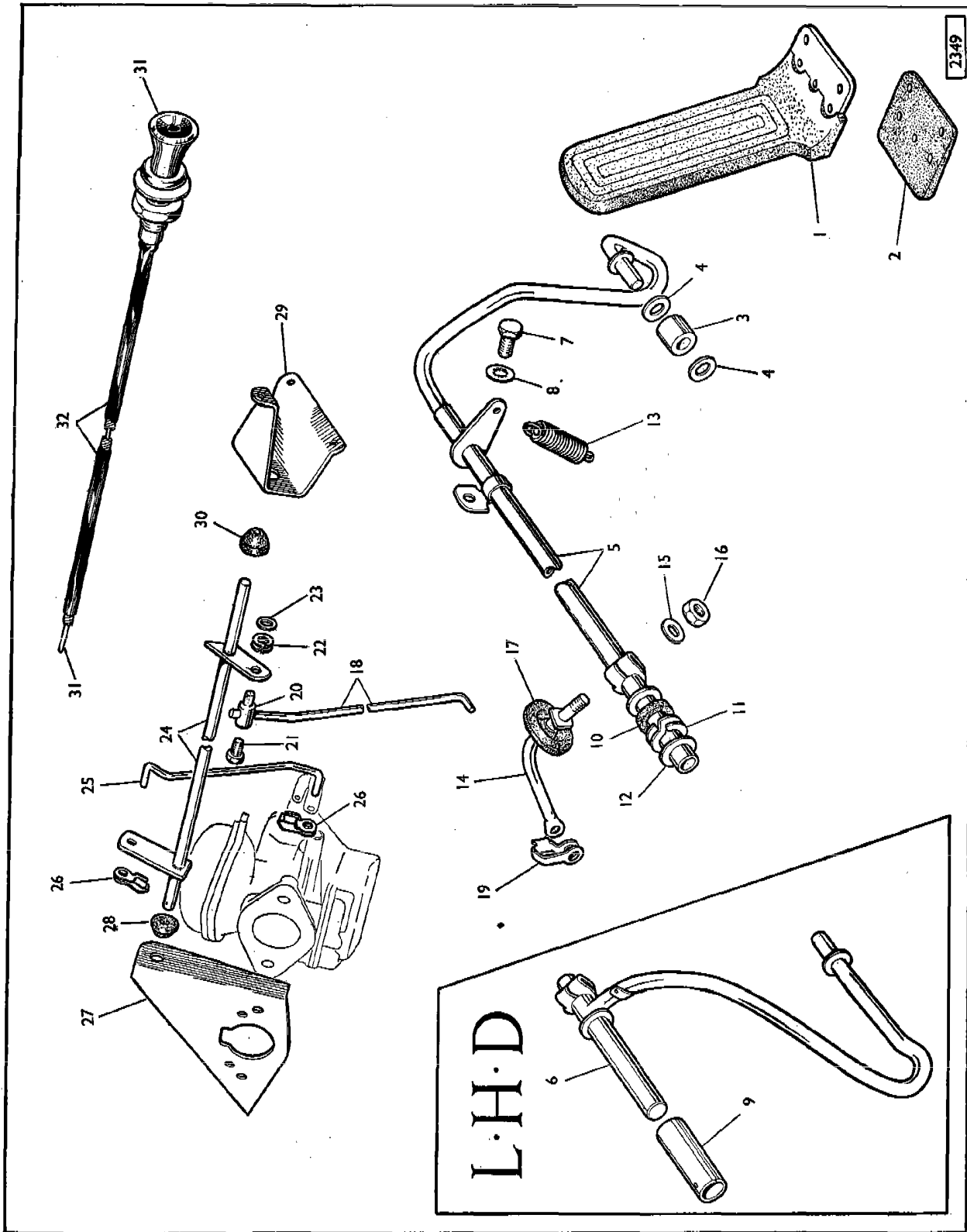
Publication No. 6600992

SECTION DB

CARBURETTOR (STROMBERG) CONTROLS

Series V onwards—Standard Transmission

CARBURETTOR (STROMBERG) CONTROLS — Series V onwards — Standard Transmission



SECTION DB

Publication No. 6600992

SECTION E

CARBURETTOR CONTROLS—Series IV (Automatic Transmission)

Publication No. 6600992

CARBURETTOR (Stromberg) CONTROLS — Series V onwards — Standard Transmission

Plate Ref.	Part Number	DESCRIPTION	No. per Veh.	REMARKS

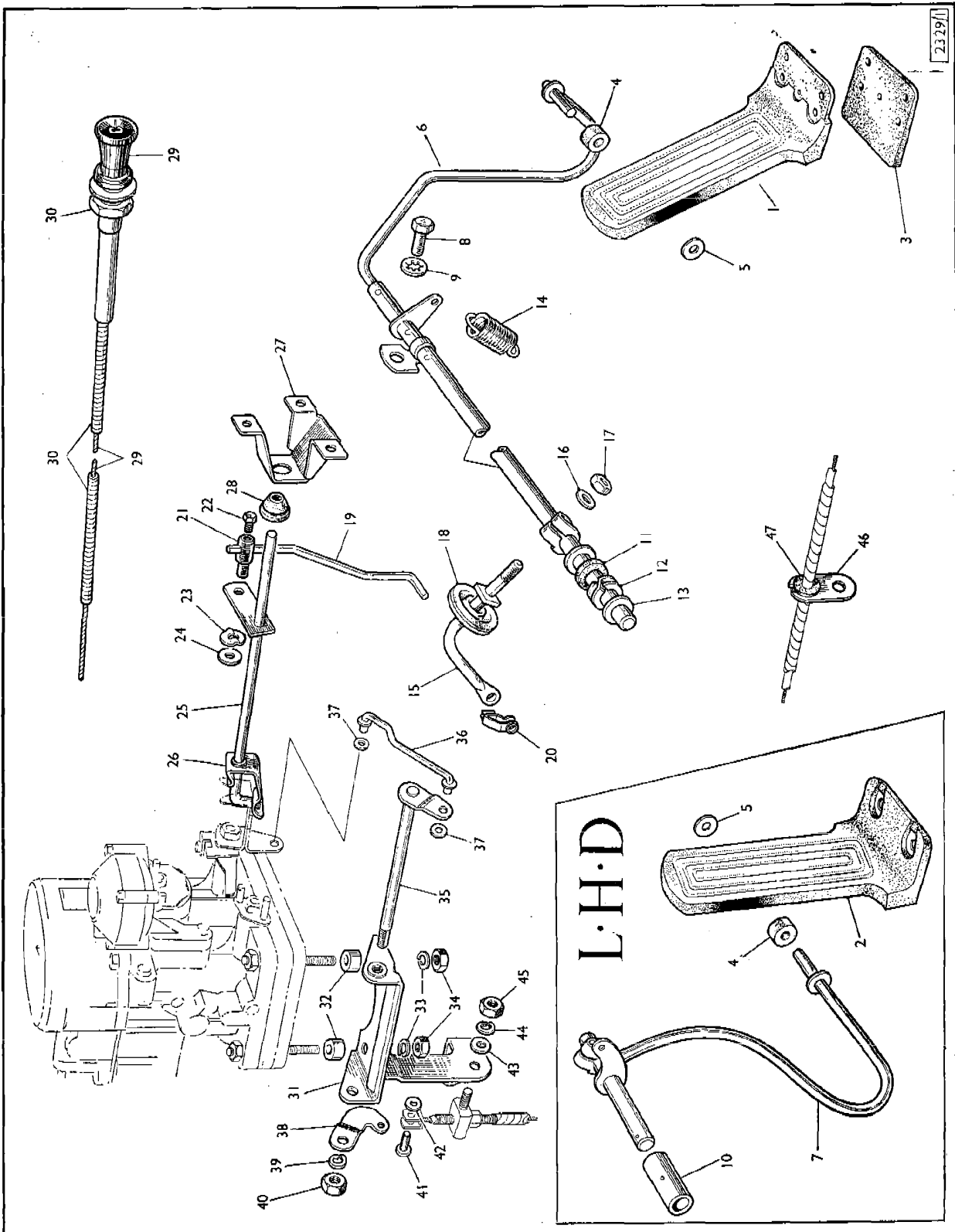
CARBURETTOR (Stromberg) CONTROLS — Series V onwards — Standard Transmission

Plate Ref.	Part Number	DESCRIPTION	No. per Veh.	REMARKS
1	1206352	ACCELERATOR PEDAL	1	
	9775106	Tapping screw, No. 12 × $\frac{3}{8}$ "	2	
	9067017	Washer, No. 12 plain	2	
2	1228282	Packing piece	1	
3	1215191	Roller	1	
4	9067034	Washer—Roller to stem	2	
5	1229380	CROSS SHAFT—Accelerator—R.H.D.	1	
6	1229379	CROSS SHAFT—Accelerator—L.H.D.	1	
7	5220683	Screw, $\frac{5}{16}$ " UNF. × $\frac{1}{2}$ "	1	
8	9664203	Washer, $\frac{5}{16}$ " shakeproof } Fulcrum plate to pedal mounting bracket } R.H.D.	1	
9	1200356	Distance piece (L.H.D.)	1	
10	9120051	Felt washer	1	
11	9086011	Washer, $\frac{1}{4}$ " spring	1	
12	9067423	Washer, $\frac{1}{4}$ " plain	1	
13	1205543	Return spring	1	
14	1200455	OPERATING LEVER	1	
15	9067023	Washer, $\frac{1}{8}$ " plain	1	
16	9034042	Nut, $\frac{1}{8}$ " UNF. Cleveloc } to shaft	1	
17	1045489	Grommet	1	
18	1235822	Push rod—Operating lever to relay shaft	1	
19	P.116554	Clip—Push rod to operating lever	1	
20	1229355	Trunnion—Push rod to relay shaft	1	
21	19503021	Screw, No. 10 UNF. × $\frac{1}{4}$ "—Trunnion	1	
22	9662122	Washer, No. 10 spring } Trunnion to relay shaft	1	
23	9067009	Washer, No. 10 plain } relay shaft	1	
24	1235670	RELAY SHAFT	1	
	9078012	Fibre washer, $\frac{5}{8}$ "—Relay shaft	2	
25	1235676	Push rod—Relay shaft to carburettor	1	
26	P.116554	Clip—Push rod to levers	2	
27	1235674	Support bracket—Front	1	
28	1206403	Grommet—Support bracket } Relay shaft	1	
29	1235666	Support bracket—Rear	1	
30	1206403	Grommet—Support bracket }	1	
	39313121	Screw, No. 10 UNF. ... } Rear support bracket to bulkhead	3	
	1206720	Rawlnut, No. 10 UNF. } bracket to bulkhead	3	
		CHOKE CONTROL COMPLETE		
31	5044221	Knob and wire	1	
32	5044222	Body and tube	1	

From B395002213

Not supplied

CARBURETTOR (SOLEX) CONTROLS — Series IV — Automatic Transmission



SECTION E

CARBURETTOR (Solex) CONTROLS — Series IV — Automatic Transmission

Plate Ref.	Part Number	DESCRIPTION	No. per Veh.	REMARKS
	1206352	ACCELERATOR PEDAL—R.H.D.	1	} For use when alternative pedal position is required } Up to B94100000 BU B94600000 CKD
	1208406	ACCELERATOR PEDAL—L.H.D.	1	
	5220695	Setscrew, 1/4" UNF. x 3/8" } Pedal to	2	
	9664162 s/d by 9664163	Washer, 1/2" spring } floor	2	
	1208021 s/d by 1228282	Packing piece ...	1	
	9732106 s/d by 9772106	Screw, No. 6 x 3/8" Bdg. Hd. } Pedal to	1	
	1228282	Packing piece ... } floor	1	
	9772086	Screw, No. 6 x 1/2" ...	A/R	
	1215191	Roller ... } Cross shaft to	1	
	9067034	Washer, 3/8" plain } accelerator pedal	2	
	1224461 s/d by 1229377	CROSS SHAFT—R.H.D. } Accelerator	1	
	1223822 s/d by 1229405	CROSS SHAFT—L.H.D. ...	1	
	5220683	Screw, 5/8" UNF. x 1/2" } Fulcrum plate to pedal	1	
	9664203	Washer, 5/8" shakeproof } mounting bracket (R.H.D.)	1	
	1206158	Clip—Operating lever (L.H.D.)	1	
	1200356	Distance piece (L.H.D.)	1	
	9120051	Felt washer ...	1	
	9086011	Washer, 1/2" D.C. spring } Cross shaft	1	
	9067056	Washer, 1/2" plain ...	1	
	1205543	Return spring ...	1	
	1200455	OPERATING LEVER ...	1	
	9067023	Washer, 5/8" plain } Operating lever	1	
	9552053	Nut, 5/8" UNF. Nyloc } to shaft	1	
	1045489	Grommet ...	1	
	1206716	CONTROL ROD ...	1	
	9662122	Washer, 5/8" spring } Control rod	2	
	9067008	Washer, 5/8" plain } to levers	2	
	1207530	Operating shaft c/w lever ...	1	
	1206706	Bulkhead bracket ...	1	
	1206720	Rawlnut, No. 10 UNF. } Bracket to	3	
	39303120 s/d by 39313121	Screw, No. 10 UNF. x 1/2" } bulkhead	3	
	1215595	Grommet (Bearing) ...	1	
	1203010	Clip—Operating shaft to carburettor lever...	1	
1	1206352	ACCELERATOR PEDAL—R.H.D.	1	} From B94100001 BU B94600001 CKD
2	1208406	ACCELERATOR PEDAL—L.H.D.	1	
	9775106	Tapping screw, No. 12 x 3/8" Bdg. Hd. ...	2	
	9067017	Washer, No. 12 plain ... } Pedal to floor	2	
3	1228282	Packing piece ...	1	
4	1215191	Roller ...	1	
5	9067034	Washer, 3/8" plain—Roller to stem ...	2	
6	1229377	CROSS SHAFT—Accelerator pedal—(R.H.D.)	1	} From B94100001 BU B94600001 CKD up to B94101776
7	1229405	CROSS SHAFT—Accelerator pedal—(L.H.D.)	1	
	1229380	CROSS SHAFT—Accelerator pedal—(R.H.D.)	1	} From B94101777
	1229445	CROSS SHAFT—Accelerator pedal—(L.H.D.)	1	

Publication No. 6600992

SECTION F

CLUTCH AND CONTROLS Standard Transmission

Lit. 023

CARBURETTOR (Solex) CONTROLS — Series IV — Automatic Transmission

Plate Ref.	Part Number	DESCRIPTION	No. per Veh.	REMARKS
		CARBURETTOR CONTROLS—continued		
8	5220683	Screw, $\frac{1}{8}$ " UNF. \times $\frac{1}{4}$ "	1	} Fulcrum plate to mounting bracket } R.H.D.
9	9664203	Washer, $\frac{1}{8}$ " shakeproof	1	
10	1200356	Distance piece (L.H.D.)	1	
11	9120051	Felt washer	1	
12	9086011	Washer, $\frac{1}{2}$ " D.C. spring	1	
13	9067423	Washer, $\frac{1}{2}$ " plain	1	
14	1205543	Return spring	1	
15	1200455	OPERATING LEVER	1	
16	9067023	Washer, $\frac{1}{8}$ " plain	1	
17	9034042	Nut, $\frac{1}{8}$ " UNF., Cleveloc	1	
18	1045489	Grommet	1	
19	1229356	s/d by 1229692 CONTROL ROD	1	
20	P.116554	Clip—Rod to operating lever	1	
21	1229355	Trunnion	1	
22	19503021	Screw, No. 10 UNF. \times $\frac{1}{4}$ "—Trunnion	1	
23	9662122	Washer, No. 10 spring	1	
24	9068008	Washer, No. 10 plain	1	
25	1206726	Operating shaft c/w lever	1	
26	1203010	Clip—Operating shaft to carburettor lever	1	
27	1206706	Bulkhead bracket	1	
	39313121	Screw, No. 10 UNF. ...	3	
	1206720	Rawlnut, No. 10 UNF. ...	3	
28	1215595	Grommet (Bearing)—Bracket	1	
		CHOKE CONTROL COMPLETE		
29	5040902	Knob and wire	1	} Not supplied
30	5037607	Body and tube	1	
		THROTTLE VALVE CONTROL CABLE — See Gearbox (Transmission) Unit		
31	1223780	s/d by 1236483 Cross shaft bracket and abutment	1	} Cross shaft bracket to induction pipe
32	9087024	Distance piece	2	
33	9661203	Washer, $\frac{1}{8}$ " spring	2	
34	9550051	Nut, $\frac{1}{8}$ " UNC.	2	
	9067112	s/d by 9068010 Washer, $\frac{1}{4}$ " plain	1	
	9661163	Washer, $\frac{1}{4}$ " spring	1	
	19604052	Screw, $\frac{1}{4}$ " UNC. \times $\frac{1}{4}$ " ...	1	
35	1223777	Cross shaft and lever	1	
	9067227	Washer, $\frac{1}{8}$ " plain—Cross shaft	2	
36	1223774	Relay rod—Cross shaft to throttle lever	1	
37	9067008	Washer, $\frac{1}{8}$ " plain—Relay rod to levers	2	
38	1223784	Operating lever	1	
39	9661203	Washer, $\frac{1}{8}$ " spring	1	
40	9520051	Nut, $\frac{1}{8}$ " UNF. lock	1	
41	9144003	Jaw pin	1	
42	9067010	s/d by 9096073 Washer, $\frac{1}{8}$ " plain	1	
43	9067096	Washer, $\frac{1}{8}$ " plain	1	
44	9660123	Washer, $\frac{1}{8}$ " spring	1	
45	9510031	Nut, No. 10 UNF.	1	
46	1223831	Guide plate	1	
47		Grommet	1	
	1228281	Locating bracket—Throttle valve control cable	1	Supplied with throttle cable

CLUTCH AND CONTROLS — Standard Transmission

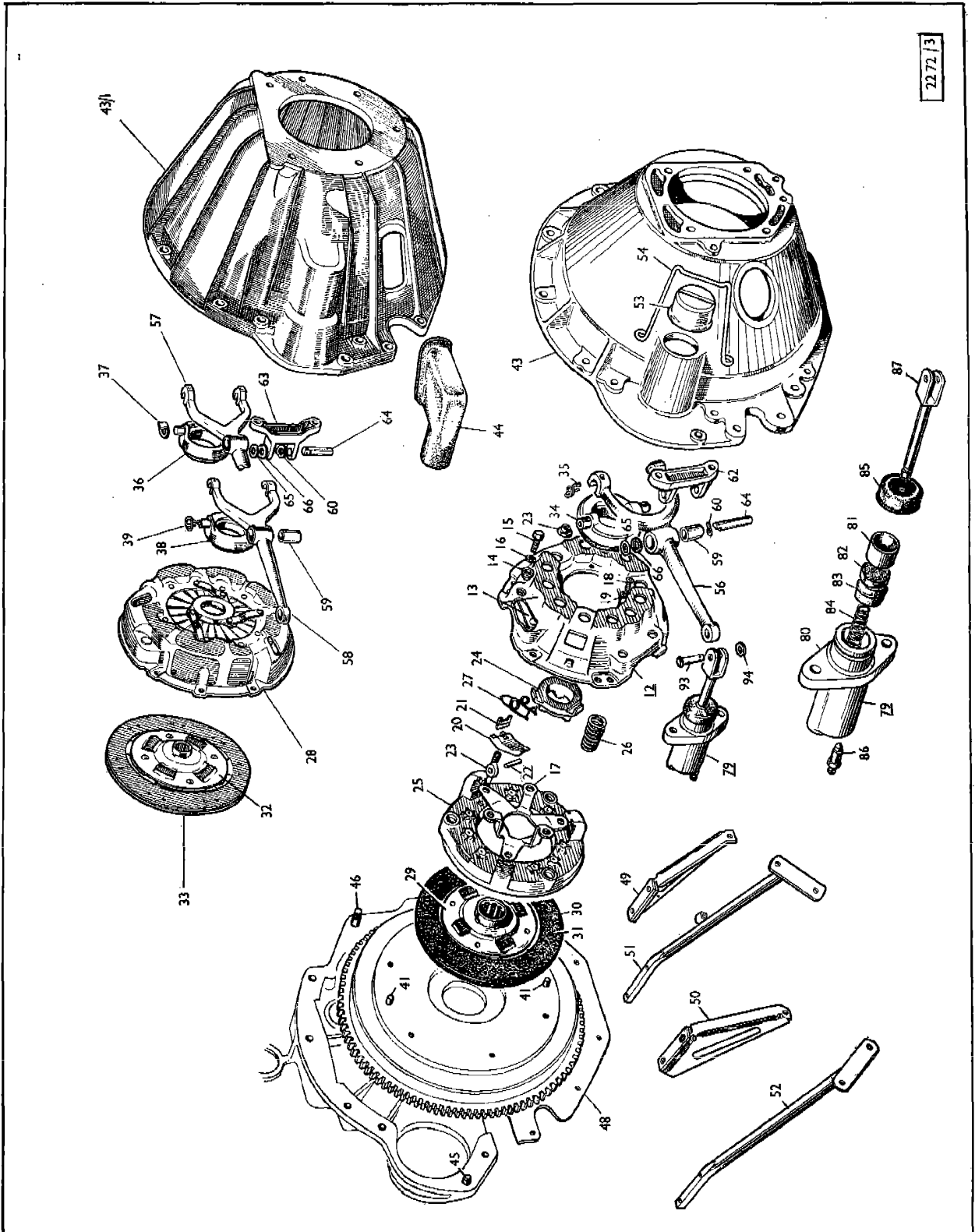
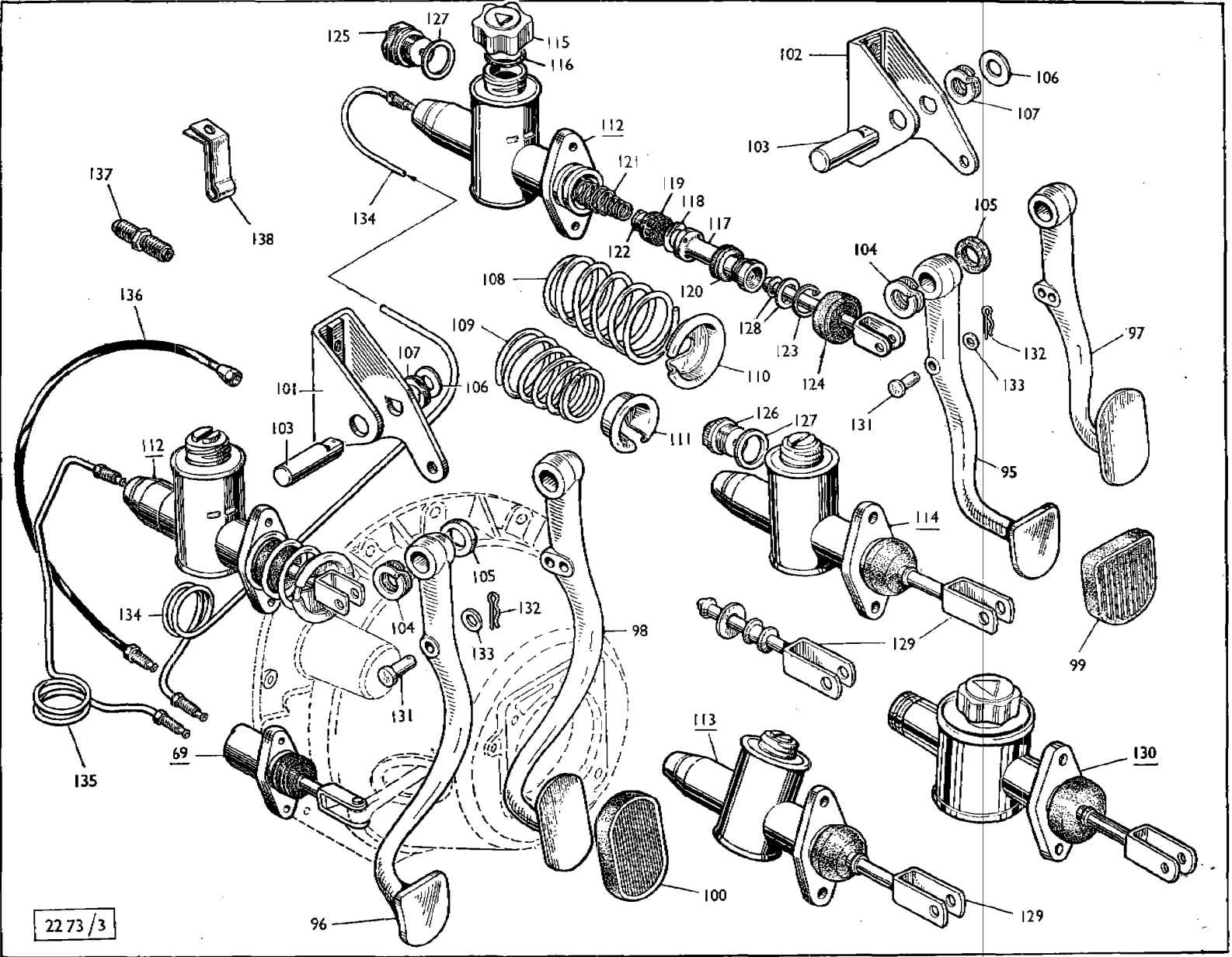


PLATE B — SECTION F

Lit. 023

CLUTCH AND CONTROLS — Standard Transmission



22 73 / 3

PLATE C — SECTION F

Lit. 023

CLUTCH AND CONTROLS — Standard Transmission

Plate Ref.	Part Number	DESCRIPTION	No. per Veh.	REMARKS
		Note. Replacement Clutch cover units, Driven plates and Release bearings are available in part exchange for original.		
A1	1046593	CLUTCH COVER ASSEMBLY	1	} Series I
A2	K.20323	Cover	1	
	K.22755 s/d by 5038988	Release lever	3	
A3	5038988	Release lever	3	
A4	K.9058	Strut	3	
A5	K.9056	Pin	3	
A6	K.20326	Eye bolt and nut } Release lever	3	
A7	K.24527	Plate	1	
A8	K.3877	Retainer	3	
A9	K.20325	Pressure plate	1	
A10	K.21127	Thrust spring (Light grey)	6	
A11	K.21447	Anti-rattle spring	3	} Series I
	1800247	CLUTCH COVER ASSEMBLY	1	
B12	1800016	CLUTCH COVER ASSEMBLY	1	
B13	5038379	Cover and strap assembly	1	
B14	5038384	Ferrule	3	
B15	9003046	Bolt, $\frac{1}{8}$ " UNF. } Strap to pressure plate	3	
B16	9660201 s/d by 9660203	Washer, $\frac{1}{8}$ " spring	3	
B17	5038381	Spider	1	
B18	P.49364	Screw, special	3	
B19	9660161 s/d by 9660163	Washer, $\frac{1}{4}$ " spring	3	
	5038382 s/d by 5038988	Release lever	3	
B20	5038988	Release lever	3	
B21	K.9058	Strut	3	
B22	K.9056	Pin	3	
B23	K.20326	Eye bolt and nut } Release lever	3	
B24	K.24527	Plate	1	
B25	5038380	Pressure plate	1	
	5040147	Thrust spring (Brown)	9	
	5038377	Thrust spring (Dark blue/White)	3	
B26	5038378	Thrust spring (Orange)	6	
B27	5038383	Anti-rattle spring	3	
	1800598 s/d by 5058630	CLUTCH COVER ASSEMBLY See Data 2A/302	1	} Le-Mans Series II & III up to B9204717 S/Top, B9203886 G.T. and B9250156 CKD S/Africa
	5042355 s/d by 5058630	Cover assembly c/w straps and diaphragm spring	1	
	5042356 s/d by 5058630	Pressure plate assembly	1	
	5043463	Cover straps sub assembly	1	
	5043464	Diaphragm spring	1	
	5042955	Fulcrum ring	2	
	5043465	Locating pin	3	
	5043466	Shouldered rivet	6	
	5043467	Washer, special	3	
	5042957	Release plate	1	
	5042958 s/d by 5044570	Strap—Release plate	3	
	5042607	Rivet—Release plate	3	

CLUTCH AND CONTROLS — Standard Transmission

Plate Ref.	Part Number	DESCRIPTION	No. per Veh.	REMARKS	
		CLUTCH COVER ASSEMBLY—continued			
	5043381	Pressure plate	1	Export only from B9204718 S/Top, B9203887 G.T. and B9250157 CKD. S/Africa up to B94100000 BU, B94600000 CKD.	
	5042351	Bolt	3		
	5042358	Clip	3		
	5042357	Tab washer	3		
	1801080 s/d by 5058630	CLUTCH COVER ASSEMBLY See Data 2A/320	1	Export only } See Data 2A/302	
	5042962	Cover and strap assembly	1		
	5042959	Pressure plate	1		
	5042961	Rivet } Pressure	3		
	5042960	Clip } plate	3		
	5058630	CLUTCH COVER ASSEMBLY	1	Export	
	5042962	Cover and strap assembly	1		
	5058631	Diaphragm spring and release plate sub-assembly	1		
	5043464	Diaphragm spring	1		
	5058614	Release plate	1		
	5058615	Sleeve—Release plate	1		
	5058173	Belleville washer	1		
	5042955	Fulcrum ring	2		
	5057920	Locating pin	3		
	5057921	Shouldered rivet	6		
	5058632	Pressure plate	1		
	5042961	Rivet } Pressure	3		
	5042960	Clip } plate	3		
	1800749 s/d by 1801304	CLUTCH COVER ASSEMBLY Data Sheet 2A/307	1		From B94100001 BU, B94600001 CKD.
	5042601	Cover assembly c/w straps	1		Export only from B94100001 BU, B94600001 CKD.
	5042603	Diaphragm spring	1		
	5042604	Fulcrum ring	2		
	5042602	Shouldered rivet	9		
	5043467	Washer, special	3		
	5042605	Release plate	1		
	5042606	Strap—Release plate	3		
	5042607	Rivet—Release plate	3		
	5042608	Pressure plate	1		
	5042610	Rivet—Pressure plate	3		
	5042609	Retractor clip	3	Data Sheet 2A/305	
	1801304	CLUTCH COVER ASSEMBLY See Data 2A/339	1	From B395003210 up to B395015963	
	5042601	Cover assembly c/w straps	1	Export only	
	5043797	Fulcrum ring	2		
	5044974	Diaphragm spring and release plate sub-assembly	1		
	5058172	Release plate—Clutch	1		
	5058173	Belleville washer } Release	1		
	5058174	Sleeve } plate	1		
	5042602	Shouldered rivet	9		
	5042608	Pressure plate	1		
	5044957	Clip } Pressure	3		
	5042610	Rivet } plate	3		

CLUTCH AND CONTROLS — Standard Transmission

Plate Ref.	Part Number	DESCRIPTION	No. per Veh.	REMARKS
	1801565	CLUTCH COVER ASSEMBLY	1	From B395015964 Export only
	5042601	Cover assembly c/w straps	1	
	5043797	Fulcrum ring	2	
	5059248	Diaphragm spring and release plate sub assembly	1	
	5042603	Diaphragm spring	1	
	5059249	Release plate	1	
	5058615	Sleeve—Release plate	1	
	5058173	Belleville washer—Release plate	1	
	5057920	Shouldered rivet	9	
	5059250	Pressure plate	1	
	5044957	Clip } Pressure	3	
	5042610	Rivet } plate	3	
	1800259	CLUTCH DRIVEN PLATE	1	
AB29	1046594	CLUTCH DRIVEN PLATE	1	
AB30	K.20329	Facing package	1	
AB31	K.19298	Rivets	22	
	1800747 s/d by 1801562	CLUTCH DRIVEN PLATE	1	From B94100001 BU, B94600001 CKD up to B94101127
	1800761 s/d by 1801562	CLUTCH DRIVEN PLATE	1	From B94101128 up to B395000703
B33	5042420	Facing package	1	From B94100001 BU, B94600001 CKD up to B395000703
	1801180 s/d by 1801562	CLUTCH DRIVEN PLATE Data Sheet 2A/330	1	From B395000704 up to B395015215
	5043787	Facing package	1	
	K.19298	Rivets	16	
B32	1801562	CLUTCH DRIVEN PLATE	1	From B395015216 up to intro. 1801306
	5059037	Facing package	1	From B395017309 Standard Models B395017327 O'drive Models
	K.19298	Rivet	16	
	1801306	CLUTCH DRIVEN PLATE	1	
	5059037	Facing package	1	Up to B9204717 S/Top, B9203886 G.T. and B9250156 CKD S/Africa
AB34	K.19298	Rivet	16	
	K.20720	RELEASE BEARING AND CUP	1	
AB35	1044417	Release bearing retainer	2	From B9204718 S/Top, B9203887 G.T. and B9250157 CKD S/Africa up to B94100000 BU, B94600000 CKD
B36	1800600	RELEASE BEARING AND CUP	1	
B37	1800542	Release bearing retainer	2	
	1045233	RELEASE BEARING AND CUP	1	From B94100001 BU, B94600001 CKD up to intro. 1801566
B38	1801566	RELEASE BEARING AND CUP	1	From B395015964
B39	1044417	Release bearing retainer	1	From B94100001 BU, B94600001 CKD
A40	5220716	Dowel	2	Series I Series II onwards
B41	5220716	Dowel	3	
	19505061 s/d by 19505062	Screw, $\frac{1}{8}$ " UNF. } Clutch to flywheel	6	
	9661201 s/d by 9661203	Washer, $\frac{1}{8}$ " spring }	6	

CLUTCH AND CONTROLS — Standard Transmission

Plate Ref.	Part Number	DESCRIPTION	No. per Veh.	REMARKS
A42	P.115000	CLUTCH BELL HOUSING	1	Series I
	1208368 s/d by 1218214	CLUTCH BELL HOUSING	1	
B43	1208418 s/d by 1218214	CLUTCH BELL HOUSING	1	Series II onwards For clutch bell housing 1218214
B43/1	1218214	CLUTCH BELL HOUSING	1	
B44	1228055	Rubber gaiter—Clutch bell housing	1	
	19106183	Bolt, $\frac{3}{8}$ " UNF. \times 2 $\frac{1}{4}$ "	1	Alternative fixings
	19506101	Screw, $\frac{3}{8}$ " UNF. \times 1 $\frac{1}{4}$ "	3	
	9068016	Washer, $\frac{3}{8}$ " plain	5	
	9661241 s/d by 5221254	Washer, $\frac{3}{8}$ " spring	5	
	5220703	Nut, $\frac{3}{8}$ " UNF.	2	
AB45	9146156	Dowel	1	
AB46	P.103710	Dowel bolt	1	
	19606111	Screw, $\frac{3}{8}$ " UNC. \times 1 $\frac{1}{8}$ "	3	
	9067036	Washer, $\frac{3}{8}$ " plain	3	
	9664242	Washer, $\frac{3}{8}$ " shakeproof	3	
	29900426 s/d by 29900448	Stud	1	
	9067036	Washer, $\frac{3}{8}$ " plain	1	
	9661242	Washer, $\frac{3}{8}$ " spring	1	
	5220703	Nut, $\frac{3}{8}$ " UNF.	1	
	59622601	Screw (Sems), $\frac{3}{8}$ " UNC. \times 1 $\frac{1}{8}$ "	3	
	9067036	Washer, $\frac{3}{8}$ " plain	3	
A47	P.106938	Clutch cover plate	1	Series I
	19604041	Screw, $\frac{1}{2}$ " UNC. \times $\frac{1}{2}$ "	5	
	9067015	Washer, $\frac{1}{2}$ " plain	5	
	1207095 s/d by 1228163	Clutch cover plate	1	
B48	1228163	Clutch cover plate	1	Series II, III and IV up to B94101924 From B94101925
	1207096 s/d by 1210392	Stiffener, O/S (R.H.)	1	
B49	1210392	Stiffener, O/S (R.H.)	1	Series II
B50	1207097 s/d by 1223679	Stiffener, N/S (L.H.)	1	
B51	1214572	Stiffener, O/S (R.H.)	1	Series III and IV
B52	1214573	Stiffener, N/S (L.H.)	1	
	1235134	Stiffener, O/S (R.H.)	1	Series V onwards
	1218771	Stiffener, N/S (L.H.)	1	
	19505091	Bolt, $\frac{5}{16}$ " UNF. \times 1 $\frac{1}{2}$ "	4	Series II
	19605041	Screw, $\frac{5}{16}$ " UNC. \times $\frac{1}{2}$ "	1	
	9067023	Washer, $\frac{5}{16}$ " plain	5	
	5220701	Nut, $\frac{5}{16}$ " UNF.	4	
	19105121	Bolt, $\frac{5}{16}$ " \times 1 $\frac{1}{2}$ "	4	Series III onwards
	1214585	Shim	2	
	19605041	Screw, $\frac{5}{16}$ " UNC. \times $\frac{1}{2}$ "	1	
	9068013	Washer, $\frac{5}{16}$ " plain	3	
	9068015	Washer, $\frac{5}{16}$ " plain	2	
	5220701	Nut, $\frac{5}{16}$ " UNF.	4	
B53	1214255	Cover—Starter pinion	1	U.S.A. and Canada from B9106937 up to intro. 1218214
B54	1214253	Clip	1	
	9067037	Washer, $\frac{3}{8}$ " plain	2	

CLUTCH AND CONTROLS — Standard Transmission

Plate Ref.	Part Number	DESCRIPTION	No. per Veh.	REMARKS
A55	P.109981 s/d by 1218678	CLUTCH WITHDRAWAL LEVER	1	Up to B94100000 BU, B94600000 CKD
B56	1214266 s/d by 1218678	CLUTCH WITHDRAWAL LEVER	1	
B57	1218678	CLUTCH WITHDRAWAL LEVER	1	
B58	1218747	CLUTCH WITHDRAWAL LEVER	1	From B94100001 BU, B94600001 CKD
AB59	9200012	Bush	1	Series I Series II and III up to intro. 1206605 From B9204718 S/Top, B9203887 G.T. and B9250157 CKD S/Africa
AB60	9075033	Waved washer	1	
A61	P.108551	Bracket	1	
B62	1207442	Bracket	1	
B63	1206605	Bracket	1	
		Withdrawal lever	1	
	19606151	Screw, $\frac{3}{8}$ " UNC. \times $1\frac{1}{2}$ "	1	Alternative fixings
	19606101	Screw, $\frac{3}{8}$ " UNC. \times $1\frac{1}{2}$ "	1	
	9664242	Washer, $\frac{3}{8}$ " shakeproof	2	
	9067036	Washer, $\frac{3}{8}$ " plain	2	
	59623401	Screw (Sems) $\frac{3}{8}$ " UNC. \times $2\frac{1}{2}$ "	2	
	9067036	Washer, $\frac{3}{8}$ " plain	2	
AB64	P.53238	Fulcrum pin—Withdrawal lever	1	
AB65	9067046	Washer, $\frac{7}{16}$ " plain	1	
AB66	9120039	Washer, felt to bracket	1	
A67	P.109951	Return spring—Withdrawal lever	1	
A68	P.109852	Anchor bracket—Return spring	1	
AC69	P.109952 s/d by 5040361	SLAVE CYLINDER	1	Series I
A70	5040361	SLAVE CYLINDER	1	
A71	K.25922	Body (Not supplied)	1	
A72	K.25923	Piston	1	
A73	K.25924	*Cup	1	
A74	K.29447	Filler cup	1	
A75	K.25925	Spring	1	
A76	K.25921	*Boot	1	
A77	K.23631	*Circlip—Boot	1	
A78	K.29805	Bleeder screw	1	
	P.48678 s/d by 5038192	Push rod	1	
		Slave cylinder repair kit (includes items *)	1	
B79	1203562	SLAVE CYLINDER	1	Series II and III up to B9204717 S/Top, B9203886 G.T. & B9250156 CKD S/Africa
B80		Body (Not supplied)	1	
B81	K.25922	Piston	1	
B82	K.25923	†Cup	1	
B83	5037786	Cup spreader	1	
B84	5037785	Spring	1	
B85	K.25925	†Boot	1	
B86	K.23631	Bleeder screw	1	
B87	1206903	Push rod—Slave cylinder	1	
	5038192	Slave cylinder repair kit (includes items †)	1	

CLUTCH AND CONTROLS — Standard Transmission

Plate Ref.	Part Number	DESCRIPTION	No. per Veh.	REMARKS
	1223552	SLAVE CYLINDER	1	From B9204718 S/Top, B9203887 G.T. and B920157 CKD S/Africa
	K.25922	Body (Not supplied)	1	
	K.25923	Piston	1	
	5037786	*Cup	1	
	5037785	Cup spreader	1	
	K.25925	Spring	1	
	P.42903	*Boot	1	
	1203637	Bleeder screw	1	
	5038192	Push rod	1	
		Slave cylinder repair kit (Includes items *)	1	
		Note. A replacement slave cylinder is available in part exchange for the original.		
	19505141	Screw, $\frac{3}{8}$ " UNF. $\times 1\frac{1}{2}$ "	2	Series I
	19105121	Screw, $\frac{3}{8}$ " UNF. $\times 1\frac{1}{2}$ " } Slave cylinder to	2	Series II onwards
	9068013	Washer, $\frac{3}{8}$ " plain } clutch housing	2	
	5220701	Nut, $\frac{3}{8}$ " UNF. }	2	
A88	P.113399	Jaw	1	Series I
A89	9520050	Locknut, $\frac{3}{8}$ " UNF.	2	
A90	9144025	Jaw pin	1	
A91	9086004	Washer, $\frac{3}{8}$ " D.C. spring } Withdrawal lever to	1	
A92	9067025	Washer, $\frac{3}{8}$ " plain } slave cylinder push rod	1	
B93	9144022	Jaw pin	1	Series II onwards
B94	9067022	Washer, $\frac{3}{8}$ " plain	1	
C95	1201217	CLUTCH PEDAL—R.H.D.	1	Series I
C96	1201354	CLUTCH PEDAL—L.H.D.	1	
	1206070	CLUTCH PEDAL—R.H.D.	1	Up to B395002341
	1206077	CLUTCH PEDAL—L.H.D.	1	Up to B395002286
C97	1236454	CLUTCH PEDAL—R.H.D.	1	From B395002342
C98	1236455	CLUTCH PEDAL—L.H.D.	1	From B395002287
	5220379	Rubber pad (Set of 3)	1	Up to intro. 1201583
C99	1201583	Rubber pad } Clutch pedal	1	Series I from B9000200 up to Series II
	1206069	Rubber pad }	1	Series II onwards up to intro. 1217859
C100	1217859	Rubber pad—Clutch pedal	1	From B395002342 R.H.D. B395002287 L.H.D.
C101	1201281	s/d by 1206522 Fulcrum bracket—Pedal	1	Up to B9115000
	5220692	Screw, $\frac{3}{8}$ " UNF. $\times \frac{7}{8}$ " } Fulcrum bracket	2	
	9664203	Washer, $\frac{3}{8}$ " shakeproof } to dash	1	
	19105141	Bolt, $\frac{3}{8}$ " UNF. $\times 1\frac{1}{2}$ "—Upper	1	
	19105111	Bolt, $\frac{3}{8}$ " UNF. $\times 1\frac{1}{2}$ "—Lower	1	
	9664203	Washer, $\frac{3}{8}$ " shakeproof	2	
	5220701	Nut, $\frac{3}{8}$ " UNF.	1	
C102	1206522	Fulcrum bracket	1	From B9115001
	5220692	Screw, $\frac{3}{8}$ " UNF. $\times \frac{7}{8}$ "	1	
	19105141	Bolt, $\frac{3}{8}$ " UNF. $\times 1\frac{1}{2}$ "—Upper } Fulcrum bracket	1	
	19105101	Screw, $\frac{3}{8}$ " UNF. $\times 1\frac{1}{2}$ "—Lower } and Master cylinder	1	
	5220701	Nut, $\frac{3}{8}$ " UNF. } to Dash	1	
	9664203	Washer, $\frac{3}{8}$ " shakeproof	3	

CLUTCH AND CONTROLS — Standard Transmission

Plate Ref.	Part Number	DESCRIPTION	No. per Veh.	REMARKS
C103	P.108396	Shaft—Clutch pedal	1	
C104	9086015	Washer, 3/4" spring	1	
C105	9120073	Felt washer	1	
C106	9067075	Washer, 3/4" plain	1	
C107	9086015	Washer, 3/4" spring	1	
	P.116870	Return spring	1	
C108	1201609	Return spring	1	Up to intro. 1201609 Series I from B9000009 and Series II up to Series III
C109	P.109313	Return spring	1	Series III and IV up to B94103953
	1235291	Return spring	1	From B94103954
C110	P.116871 s/d by 1235292	Cap	1	Series I and II
C111	P.109314	Cap	1	Series III and IV up to B94103953
	1235292	Cap	1	From B94103954
	1202931	MASTER CYLINDER	1	Up to B9000008
C112	1201610	MASTER CYLINDER	1	From B9000009 up to Series II
	1206073	MASTER CYLINDER	1	Series II
C113	1217883	MASTER CYLINDER	1	Series III RHD } Up to Series III LHD } B9201599
	1206073	MASTER CYLINDER	1	
C114	1206073	MASTER CYLINDER	1	Series III from B9201600 up to B9204717 S/Top, B9203886 G.T. & B9250157 CKD S/Africa
		Cylinder and tank		(Not supplied)
C115	K.25514 s/d by 5042059	Filler cap	1	See Data 2E/117
C116	9079097	Washer—Filler cap	1	
	K.25517 s/d by 5037533	Piston	1	
C117	5037533	Piston	1	
C118	K.25518 s/d by 5038933	†Washer—Piston	1	
C119	K.26242	†Main cup	1	
C120	K.25520	†Secondary cup	1	
C121	K.29804 s/d by 5039215	Return spring	1	
C122	5030173	Retainer, return spring	1	
C123	K.29578	Circlip—Stop	1	
C124	K.25524	†Boot	1	
C125	K.29497 s/d by K.29496	End plug	1	
C126	K.29496	End plug	1	Series I also Series II early Models
C127	K.25525	Gasket—End plug	1	
	5037542	Push rod	1	For use with 1202931
C128	5037980	Push rod	1	For use with 1201610
C129	5038375	Push rod	1	For use with 1206073 & 1217883
	5038376	Master cylinder repair kit	1	Series I, II & III up to 1223838
C130	1223838	MASTER CYLINDER—Clutch	1	Series III from B9204718 S/Top, B9203887 G.T. and B9250157 CKD S/Africa up to B94102368

CLUTCH AND CONTROLS — Standard Transmission

Plate Ref.	Part Number	DESCRIPTION	No. per Veh.	REMARKS
	1228985	MASTER CYLINDER	1	From B94102369, B94600001 CKD G.T.
		Body (Not supplied)		
	5042059	Filler cap	1	
	5042268	Piston	1	
	5040957	Washer—Piston	1	
	5040956	*Main cup	1	From B9204718
	5040958	*Secondary cup	2	S/Top, B9203887 G.T. and B9250157 CKD S/Africa
	5040954	Return spring	1	
	5040905	Retainer—Return spring	1	
	K.29578	Circlip	1	
	K.25524	*Boot	1	
	5038375	Push rod	1	For use with 1223838
	5043751	Push rod	1	For use with 1228985
	5040960	s/d by 5044629 Master cylinder repair kit (Includes items *)	1	From B9204718 S/Top, B9203887 G.T. and B9250157 CKD S/Africa
		Note. A replacement Master Cylinder is available in part exchange for the original.		
C131	9144022	Jaw pin	1	
	1206074	s/d by 9830013 Spring pin—Jaw pin	1	Series II, III and IV up to B9406700
		} Master cylinder to pedal		
C132	1228640	s/d by 9830013 Spring pin—Jaw pin	1	From B9406701
C133	9067022	Washer, $\frac{1}{8}$ " plain	1	
C134	1201340	PIPE LINE—R.H.D....	1	} Series I and II
C135	1201349	PIPE LINE—L.H.D....	1	
	9163273	PIPE LINE—R.H.D....	1	} Series III up to 9163354 and 9163348
	9163272	PIPE LINE—L.H.D....	1	
C136	9163354	s/d by 1236790 PIPE LINE—R.H.D....	1	
		} Master cylinder to slave cylinder		
	9163427	PIPE LINE	1	} From B395002513
	1236791	s/d by 1236790 PIPE LINE—Nylon } R.H.D.	1	
	9163348	PIPE LINE—L.H.D.	1	
C137	1236798	s/d by 9152305 Adaptor—Pipe line	1	} From B395002513
C138	1236783	Clip—Pipe line to frame	1	
	9179015	Clip	1	
	9774065	Tapping screw, No. 10 \times $\frac{3}{8}$ " } Pipe to	1	
	9067008	Washer, $\frac{1}{8}$ " plain	1	
	9166010	Rubber sleeve	2	
		} frame		

Publication No. 6600992

SECTION G

GEARBOX (Standard Transmission) UNIT (and Floor Change Control)

Up to Chassis Number B94100000 BU, B94600000 CKD.

GEARBOX (Standard Transmission) UNIT

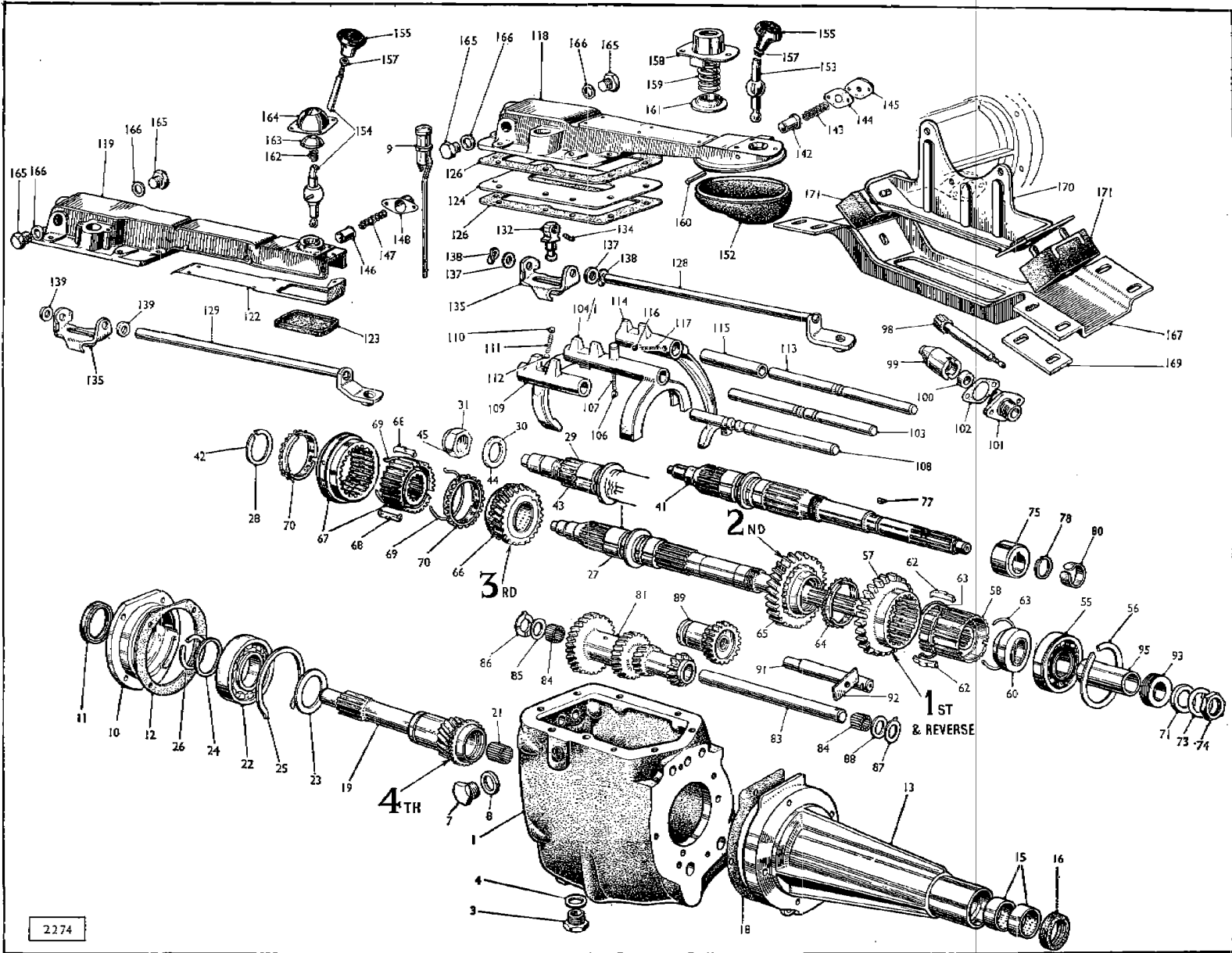


PLATE A — SECTION G

2274

GEARBOX (Standard Transmission) UNIT

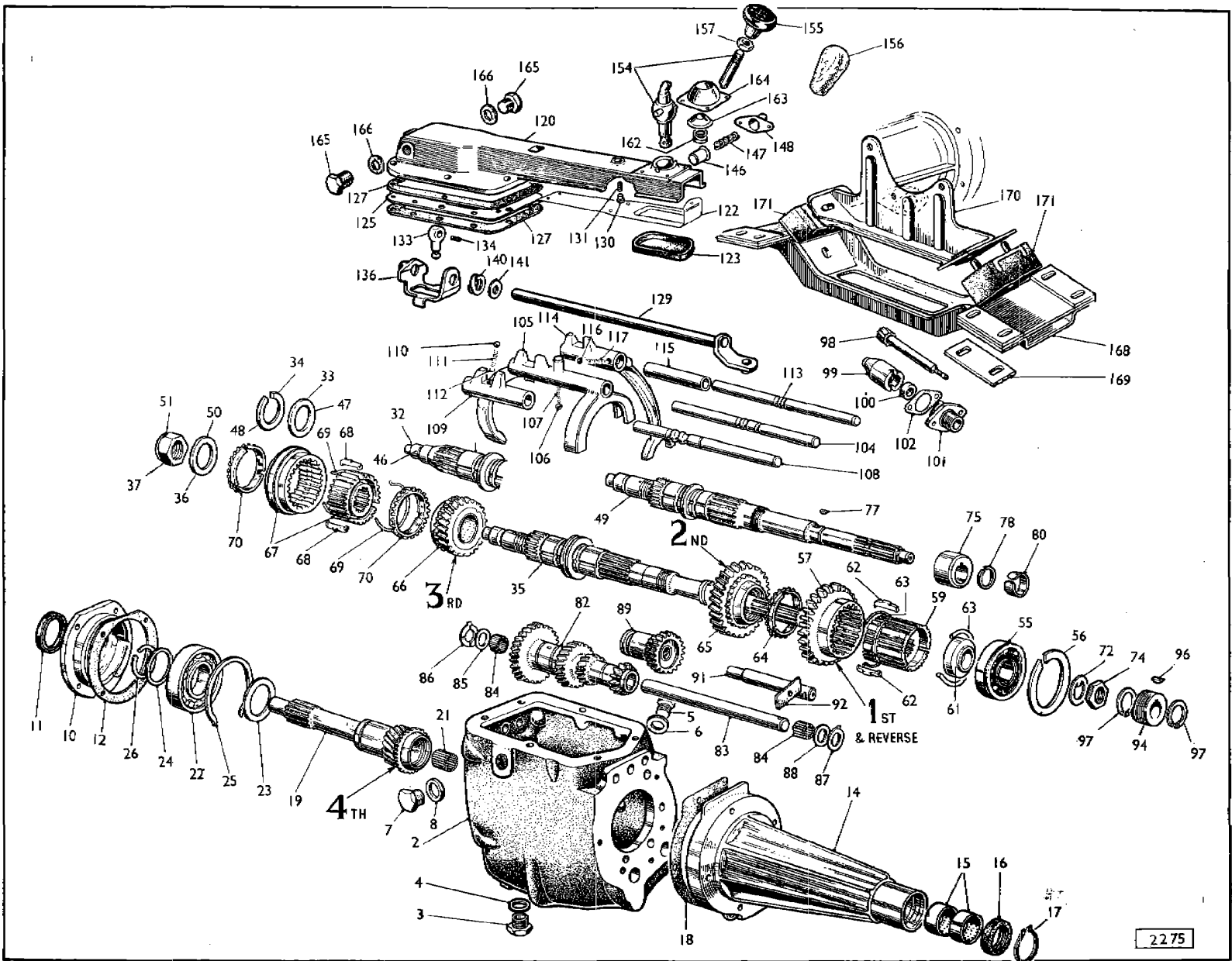


PLATE B — SECTION G

GEARBOX (Standard Transmission) UNIT

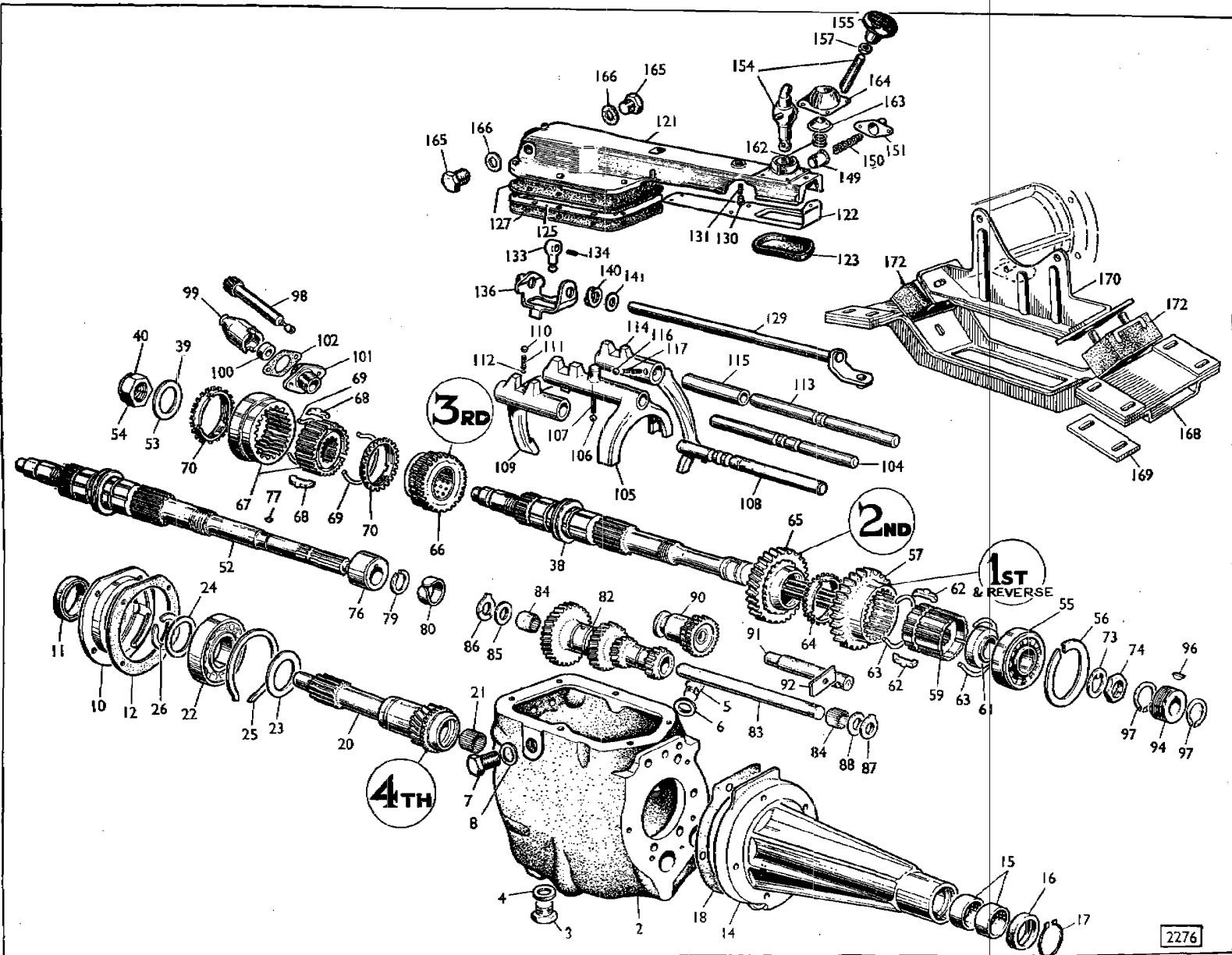


PLATE C — SECTION G

GEARBOX (Standard Transmission) UNIT

Plate Ref.	Part Number	DESCRIPTION	No. per Veh.	REMARKS
		NOTE. UP TO CHASSIS NUMBER B94100000 BU, B94600000 CKD.		
	5220105 s/d by 5220288	GEARBOX (Transmission) UNIT	1	Series I from B9003641 up to 5220355
	5220288	GEARBOX (Transmission) UNIT	1	
	5220355 s/d by 5220600	*GEARBOX (Transmission) UNIT	1	Series II up to 5220600
	5220600	*GEARBOX (Transmission) UNIT Without Overdrive	1	
	5220637	*GEARBOX (Transmission) UNIT	1	Series II from B9110171 H/C, B9110941 L/C, B9110205 M/C, M/E up to 5220637
	5220737	*GEARBOX (Transmission) UNIT	1	
	5220825	GEARBOX (Transmission) UNIT	1	Series III
	5220106 s/d by 5220289	GEARBOX (Transmission) UNIT	1	Series IV
	5220289	GEARBOX (Transmission) UNIT	1	
	5220356	GEARBOX (Transmission) UNIT With Overdrive	1	Series I from B9003641 up to 5220356 Series II up to 5220638 Series II from B9119093 Series III Series IV
	5220638 s/d by 5220826	GEARBOX (Transmission) UNIT	1	
	5220738	GEARBOX (Transmission) UNIT	1	
	5220826	GEARBOX (Transmission) UNIT	1	
		*Note. Speedometer Driving Pinion is <i>not</i> supplied with the Gearbox unit and must be ordered separately if required.		
	1201729 s/d by 1216610	Casing	1	
	1205165 s/d by 1216610	Casing	1	
	1207165 s/d by 1216610	Casing	1	
A1	1216610	Casing	1	Series I
	1207164 s/d by 1216611	Casing	1	
BC2	1216611	Casing	1	Series II, III and IV
ABC3	9801043	Drain plug	1	
ABC4	5220713	Washer—Drain plug	1	
BC5	9801043	Plug—Filler	1	Series II, III and IV
BC6	5220713	Washer—Filler plug	1	
ABC7	9801642	Plug } Overdrive	1	Service casing only
ABC8	9078033	Washer } switch	1	
A9	P.108160	Dipstick	1	Series I
ABC10	P.102536	FRONT COVER	1	
ABC11	9102093	Oil seal—Front cover	1	
ABC12	P.88568	Gasket	1	Front cover to casing
	5220697	Screw, 1/8" UNC. x 3/4"	4	
	9664203	Washer, 1/8" shakeproof	4	
	P.108101 s/d by 1216108	REAR COVER	1	
A13	P.108101	REAR COVER	1	Slave purposes only on overdrive gearboxes
BC14	1216108	REAR COVER	1	
ABC15	P.108103 s/d by 5220886	Bush	2	
ABC16	9102070 s/d by 5220945	Oil seal } Rear	1	From B9110171 H/C B9110941 L/C, B9110205 H/C, M/E
BC17	9204029	Circlip } cover	1	

GEARBOX (Standard Transmission) UNIT

Plate Ref.	Part Number	DESCRIPTION	No. per Veh.	REMARKS
		GEARBOX (Transmission) UNIT—continued		
ABC18	P.108154	Gasket	1	
	29900401	Stud, $\frac{5}{16}$ " \times $1\frac{1}{8}$ "	1	
	19705111 s/d by 19405121	Screw, $\frac{5}{16}$ " UNC. \times $1\frac{3}{8}$ "	4	Rear cover/Overdrive adaptor and engine (motor) support bracket to casing
	19405111 s/d by 19405121	Screw, $\frac{5}{16}$ " UNC. \times $1\frac{3}{8}$ "	4	
	19405121	Screw, $\frac{5}{16}$ " UNC. \times $1\frac{3}{8}$ "	4	
	9664203	Washer, $\frac{5}{16}$ " shakeproof	5	
	5220701	Nut, $\frac{5}{16}$ " UNF.	1	
	9067023	Washer, $\frac{5}{16}$ " plain	2	
AB19	1202363	PRIMARY (Clutch) SHAFT (Stem Wheel)	1	Series I and II
C20	1200422	PRIMARY (Clutch) SHAFT (Stem Wheel)	1	Series III
	1224260 s/d by 1202363	PRIMARY (Clutch) SHAFT (Stem Wheel)	1	Series IV
ABC21	5220070 s/d by 9187205	Rollers } Primary (Clutch)	27	
ABC22	9188040	Bearing } shaft	1	
ABC23	P.55508 s/d by 9071086	Shield	1	
ABC24	9067352	Abutment washer } Primary (Clutch)	1	
ABC25	P.55506	Retaining ring } shaft housing	1	
ABC26	P.55507	Lock ring	1	
	1202456 s/d by 5220490	MAIN SHAFT } Without	1	
A27	1202356 s/d by 5220490	MAIN SHAFT } Overdrive	1	
	1202370	Spring ring .117"—.118" thick	1	} Selective assembly
	1202371	Spring ring .115"—.116" thick	1	
A28	P.109410	Spring ring .119"—.129" thick	1	
	P.109411	Spring ring .121"—.122" thick	1	
	P.109412	Spring ring .123"—.124" thick	1	
		Hub	1	Series I without Overdrive except 5220490
A29	5220490	MAIN SHAFT c/w NUT AND WASHER (Without Overdrive)	1	
A30	9067480	Washer } 3rd and 4th	1	} Series I
A31	1214085	Nut } Speed hub	1	
B32	1205876 s/d by 5220620	MAINSHAFT (Without Overdrive)	1	
	1200445 s/d by 1201050	Distance piece .138"—.139"	1	} Selective assembly
	1200444 s/d by 1201049	Distance piece .141"—.142"	1	
	1200443 s/d by 1201048	Distance piece .144"—.145"	1	
	1200442 s/d by 1201047	Distance piece .147"—.148"	1	
B33	1214050	Distance piece .138"—.139"	1	
	1214049	Distance piece .141"—.142"	1	
	1214048	Distance piece .144"—.145"	1	
	1214047	Distance piece .147"—.148"	1	
	9205019 s/d by 9205018	Circlip	1	} Series II without Overdrive up to B9101799
B34	9205018	Circlip	1	
B35	5220433 s/d by 5220620	MAIN SHAFT c/w NUT AND WASHER (Without Overdrive)	1	} Series II from B9101800 up to 5220620
B36	9067480	Washer } 3rd and 4th	1	
B37	1214085	Nut } Speed hub	1	
C38	5220620	MAIN SHAFT c/w NUT AND WASHER (Without Overdrive)	1	} Series II from B9119268 Std. and Series III and IV
C39	9067480	Washer } 3rd and 4th	1	
C40	1214085	Nut } Speed hub	1	
	1202457 s/d by 5220730	MAIN SHAFT } With	1	
A41	1202357 s/d by 5220730	MAIN SHAFT } Overdrive	1	
	1202370	Spring ring .117"—.118" thick	1	} Selective assembly
	1202371	Spring ring .115"—.116" thick	1	
A42	P.109410	Spring ring .119"—.120" thick	1	
	P.109411	Spring ring .121"—.122" thick	1	
	P.109412	Spring ring .123"—.124" thick	1	
		Hub	1	Series I with Overdrive except 5220434

GEARBOX (Standard Transmission) UNIT

Plate Ref.	Part Number	DESCRIPTION	No. per Veh.	REMARKS
		GEARBOX (Transmission) UNIT—continued		
A43	5220434	MAIN SHAFT c/w NUT AND WASHER (With Overdrive)	1	Series I
A44	9067480	Washer } 3rd and 4th	1	
A45	1214085	Nut } Speed hub	1	Series II up to B9101799 Superseded by 5220434
B46	1205975	MAIN SHAFT (With Overdrive)	1	
B47	1200445	Distance piece } 3rd and 4th } Distance piece } 141"—142" Distance piece } 144"—145" Distance piece } 147"—148" Distance piece } 138"—139" Distance piece } 141"—142" Distance piece } 144"—145" Distance piece } 147"—148" } Speed hub } } Selective } } assembly }	1	Superseded by 1214047/50
	1200444		1	
	1200443		1	
	1200442		1	
	1214050		1	
	1214049		1	
	1214048		1	
	1214047		1	
B48	9205019	Circlip	1	Series II with Overdrive up to B9101799 Superseded by 9205018
	9205018	Circlip	1	
B49	5220434	MAIN SHAFT c/w NUT AND WASHER (With Overdrive)	1	Series II from B9101800 up to 5220730
B50	9067480	Washer } 3rd and 4th	1	
B51	1214085	Nut } Speed hub	1	
C52	5220730	MAIN SHAFT c/w NUT AND WASHER (With Overdrive)	1	Series II from B9119093 and Series III and IV
C53	9067480	Washer } 3rd and 4th	1	
C54	1214085	Nut } Speed hub	1	
ABC55	9197000	Bearing } Main	1	
ABC56	P.55516	Retaining ring } shaft	1	
	1200429	1st SPEED WHEEL	1	Superseded by 1205531 Series I and II up to 1217955
	1205531	1st SPEED WHEEL	1	
ABC57	1217955	1st SPEED WHEEL	1	Series II from B9119268 Std., B9119093 O/D and Series III and IV
A58	1202354	Synchro hub	1	Series I
BC59	1205877	Synchro hub	1	Series II, III and IV
A60	1202355	Distance piece	1	Series I
BC61	1205878	Distance piece } 2nd speed	1	Series II, III and IV
ABC62	1200435	Shifting plate	3	
ABC63	1200025	Circlip	2	
ABC64	P.116396	Baulking ring	1	
ABC65	1202916	2nd SPEED WHEEL	1	Superseded by 1205099
	1202367	3rd SPEED WHEEL	1	
ABC66	1205099	3rd SPEED WHEEL	1	
ABC67	P.105318	Synchro hub and sleeve	1	
ABC68	P.79453	Shifting plate	3	3rd and 4th
ABC69	1200025	Circlip	2	
ABC70	P.116396	Baulking ring	2	Speed
A71	P.55514	Distance piece	1	
A72	P.108106	Tab washer	1	Series I Use with phosphor bronze speedo wheel
BC73	1210201	Tab washer } rear end	1	Use with nylon speedo wheel
ABC74	9029062	Nut	1	

GEARBOX (Standard Transmission) UNIT

Plate Ref.	Part Number	DESCRIPTION	No. per Veh.	REMARKS	
		GEARBOX (Transmission) UNIT—continued			
AB75	P.109421	CAM	1	Series I and II up to 1218172	
C76	1218172	CAM } Overdrive	1		
ABC77	9213001	Key ...	1	Series I and II up to 9207036	
AB78	P.109417	Spring ring } Cam to mainshaft	1		
C79	9207036	Spring ring } Overdrive type	1		
ABC80	P.109416	Retaining ring—Mainshaft	1	Series I and II up to 1217091	
A81	1201714	LAYSHAFT CLUSTER (Countershaft Gears)	1		
	1216091	LAYSHAFT CLUSTER (Countershaft Gears)	1	Series II from B9119268 Std. and B9119093 O/D	
BC82	1216101	LAYSHAFT CLUSTER (Countershaft Gears)	1		
	1216091	LAYSHAFT CLUSTER (Countershaft Gears)	1	Series IV	
ABC83	P.79465	Layshaft spindle	1	54	
ABC84	5220070	Roller	1		
ABC85	P.27766	Abutment ring	1		
ABC86	5220795	Thrust washer—Front	1		
ABC87	P.55542	Thrust washer—Rear	1		
ABC88	P.55543	Thrust washer—Rear (floating)	1		
AB89	1200257	REVERSE IDLER WHEEL	1		
		REVERSE IDLER WHEEL	1		
C90	1216181	REVERSE IDLER WHEEL	1		Series I and II up to 1216181
		REVERSE IDLER WHEEL	1		Series II from B9119268 Std., B9119093 O/D and Series III and IV
ABC91	P.79466	Reverse wheel shaft	1		
ABC92	9084019	Locking plate	1	Layshaft (Countershaft) and reverse wheel shaft to casing	
	19604031	Screw, 1/4" UNC. x 3/8"	1		
	9664162	Washer, 1/4" shakeproof	1		
A93	P.113467	SPEEDO DRIVING WHEEL (Phosphor Bronze)	1	Series I	
BC94	1207201	SPEEDO DRIVING WHEEL (Nylon)	1	Series II, III and IV	
A95	P.108155	Distance piece—Speedo wheel	1	Series I	
BC96	9213001	Key } Speedo	1	Series II, III and IV	
BC97	9205053	Circlip } wheel	2		
ABC98	P.113464	SPEEDOMETER DRIVING PINION	1	Standard type	
ABC99	P.108159	Bearing—Speedometer pinion	1		
ABC100	9102005	Seal—Speedometer drive	1		
ABC101	P.117694	Adaptor—Speedometer cable	1		
ABC102	P.88869	Gasket	1		
	19604041	Screw, 1/4" UNC. x 1/2"	2		
	9661161	Washer, 1/4" spring	2		
A103	P.79468	1st and 2nd SELECTOR SHAFT (Shift Rod)	1	Series I and II up to 1216044	

GEARBOX (Standard Transmission) UNIT

Plate Ref.	Part Number	DESCRIPTION	No. per Veh.	REMARKS
		GEARBOX (Transmission) UNIT—continued		
BC104	1216044	1st and 2nd SELECTOR SHAFT (Shift Rod)	1	Series II from B9119268 Std., B9119093 O/D and Series III and IV
A104/1	P.87309	Shift fork	1	Series I and II up to 1217954
BC105	1217954	Shift fork	1	
		} 1st and 2nd selector		Series II from B9119268 Std., B9119093 O/D and Series III and IV
ABC106	9187006	Ball, 1/4" dia.	1	Superseded by 1205772
ABC107	P.55557	Spring—Ball	1	
	P.79467	3rd and 4th SELECTOR SHAFT (Shift Rod)	1	
ABC108	1205772	3rd and 4th SELECTOR SHAFT (Shift Rod)	1	
ABC109	P.79470	Shift fork	1	3rd and 4th selector
ABC110	9187006	Ball, 1/4" dia.	1	
ABC111	P.55557	Spring—Ball	1	
ABC112	9071000	Shim .020"—Ball spring	A/R	
	P.79469	REVERSE SELECTOR SHAFT (Shift Rod)	1	Series I & II up to 1216043
ABC113	1216043	REVERSE SELECTOR SHAFT (Shift Rod)	1	Series II from B9119268 Std. and B9119093 O/D and Series III and IV
	P.79472	Shift fork	1	Series I & II up to 1216041
ABC114	1216041	Shift fork	1	
		} Reverse selector		
ABC115	P.86920	Distance piece	1	
ABC116	9187006	Ball, 1/4" dia.	1	
ABC117	P.55557	Spring—Ball	1	
A118	P.48880	TOP COVER—GEARBOX (Transmission)	1	Series I up to 1203056 Not supplied
		Plate	1	
		Screw—Plate	1	
A119	1203056	TOP COVER—GEARBOX (Transmission)	1	Series I from B9003641 up to Series II
	1205891	TOP COVER—GEARBOX (Transmission)	1	Superseded by 1208351
B120	1208351	TOP COVER—GEARBOX (Transmission)	1	Series II up to 1216064
C121	1216064	TOP COVER—GEARBOX (Transmission)	1	Series II from B9119268 Std., Series III and IV
	1216520	Bush	3	
ABC122	1203057	Closing plate	1	Series I from B9003641 Series II, III and IV
	9732046	Screw, No. 6 x 1/4"	6	
	39303050	Screw, No. 10 UNF. x 3/8"	1	
	9660121	Washer, 3/8" plain	1	
ABC123	1203076	Dust cover (Rubber)	1	Superseded by 1207633
A124	P.113452	Oil shield	1	
BC125	1207633	Oil shield	1	Up to B9401053
	1224329	Oil shield	1	From B9401054
A126	P.87227	Gasket	2	Series I
BC127	1205886	Gasket	2	Series II, III and IV
	19604061	Screw, 1/4" UNC. x 3/4"	8	Series I Series II, III and IV
	9664163	Washer, 1/4" shakeproof	8	
	19604061	Screw, 1/4" UNC. x 3/4"	6	
	9664163	Washer, 1/4" shakeproof	6	

GEARBOX (Standard Transmission) UNIT

Plate Ref.	Part Number	DESCRIPTION	No. per Veh.	REMARKS
GEARBOX (Transmission) UNIT—continued				
A128	P.115278	Shaft complete with lever	1	Up to 1203662
ABC129	1203662	Shaft complete with lever } Gearshift	1	
	1208353	Damper pad	1	Series I from B9003641 and Series II, III and IV
BC130	1216453	Damper pad	1	Series II from B9150013 up to 1216453
BC131	1208352	Spring pad	1	Series II from B9119268 Std., Series III and IV
	1208354	Plate spring	1	Series II from B9150013, and Series III and IV
	9732046	Screw, No. 6 × 1/4"—Plate	2	Service
A132	P.115282	Selector lever	1	purposes only
	1203524	Selector lever	1	
	1205469	Selector lever	1	Series I up to B9003640
BC133	1208297	Selector lever	1	Superseded by 1208297
ABC134	P.101063	Screw, Special—Lever to shaft	1	Series I from B9003641, and Series II, III and IV
A135	1200057	Safety catch	1	Superseded by 1215147
	1205470	Safety catch } Selector	1	
BC136	1215147	Safety catch	1	
A137	9067424	Washer, 1/2" plain	2	Series I up to B9003640
A138	9075033	Washer, 1/2" waved } Safety catch	2	
A139	9067057	Washer, 1/2" plain	2	Series I from B9003641, and Series II, III and IV
	9067423	Washer	1	
BC140	9086011	Washer, 1/2" spring } Safety catch	1	
BC141	9067056	Washer, 1/2" plain } See Parts Data 2B/71 and 2B/79	1	
A142	P.55499	Reverse stop plunger	1	Series I up to B9003640
A143	1201820	Spring	1	
A144	1201821	Packing piece } Reverse stop plunger	1	
A145	P.55502	Plate	1	
AB146	1203073	Reverse stop plunger	1	Series I from B9003641 up to Series II B9115843
AB147	1205202	Spring	1	
	1203074	Retaining cap } Reverse stop plunger	1	
AB148	1205012	Retaining cap	1	
C149	1215582	Reverse stop plunger	1	Series II from B9115844 and Series III and IV
C150	1215484	Spring	1	
C151	1215581	Retainer spring	1	
	9119553	Buffer—Plunger spring	1	
	5220684	Screw, 1/4" UNF. × 3/8" } Plate or retainer	2	Series III from B9200973 and Series IV
	9660161	Washer, 1/4" spring } to top cover	2	
A152	P.115293	Dust cover (rubber)	1	Series I up to B9003640
	1203244	CHANGE SPEED LEVER (Gearshift)	1	Superseded by 1205705
A153	1205705	CHANGE SPEED LEVER (Gearshift)	1	Series I up to B9003640
ABC154	1205382	CHANGE SPEED LEVER (Gearshift)	1	Series I from B9003641, and Series II, III and IV
ABC155	1203067	Knob	1	Up to B9405885
	1224240	Knob } Change speed lever (Gearshift)	1	From B9405886 (B9450055 CKD. S/Top Venezuela)
B156	2220932	Knob	1	Series II Le Mans
ABC157	9520056	Nut, 1/8" UNF.—Knob to lever	1	

GEARBOX (Standard Transmission) UNIT

Plate Ref.	Part Number	DESCRIPTION	No. per Veh.	REMARKS
		GEARBOX (Transmission) UNIT—continued		
		CHANGE SPEED LEVER (Gearshift)—continued		
A158	P.115289	Cup	1	Series I up to B9003640
A159	P.115290	Spring } Change speed (Gearshift) lever	1	
A160	P.71484	Pin	1	
A161	P.115291	Retainer—Spring	1	
	39303050	Screw, No. 10 UNF. × $\frac{5}{16}$ " } Retainer	3	
	9660121	Washer, $\frac{3}{16}$ " spring	3	
ABC162	1205203	Spring } ...	1	Series I from B9003641 and Series II, III and IV
ABC163	1203071	Disc } Change speed (Gearshift) lever	1	
ABC164	1203072	Cap } (Gearshift) lever	1	
	1216074	Cap ... } Change speed ...	1	Series III from B9200973 and Series IV
	1216103	Grommet—Cap } (Gearshift) lever	1	
	39303050	Screw, No. 10 UNF. × $\frac{5}{16}$ " } Cap to	4	Series I from B9003641 and Series II, III and IV
	9660121	Washer, $\frac{3}{16}$ " spring } top cover	4	
	H.117248	Dust cover—Change speed (Gearshift) lever	1	
ABC165	9803029	Plug ... } Overdrive and reverse	2	See Electrical section
ABC166	9078033	Washer } light switch holes	2	
		OVERDRIVE SWITCH		
		Washer—Overdrive switch		
		Clip—Overdrive cable		
		Gearbox filler plug grommet		
		REAR ENGINE (Motor) MOUNTING		
A167	H.118499	CROSSMEMBER—Rear Engine (Motor) Mounting	1	Superseded by 2213025
BC168	2213025	CROSSMEMBER—Rear Engine (Motor) Mounting	1	
	5220684	Screw, $\frac{1}{8}$ " UNF. × $\frac{3}{4}$ " } ...	8	Series I and II Series III and IV
	19805071	Screw, $\frac{1}{8}$ " UNF. × $\frac{3}{4}$ " } Crossmember	8	
ABC169	9090306	Spreader plate ... } to frame	4	
	9661201	Washer, $\frac{1}{8}$ " spring	8	
ABC170	P.116089	ENGINE (Motor) SUPPORT BRACKET—Rear	1	Series I and II Series III and IV
AB171	1201436	Support rubber	2	
C172	1206582	Support rubber } Support rubber to	2	
	9664203	Washer, $\frac{1}{8}$ " shakeproof } support bracket	4	
	5220701	Nut, $\frac{1}{8}$ " UNF. } ...	4	
	19506061	Screw, $\frac{3}{8}$ " UNF. × $\frac{3}{4}$ " } Support rubber	2	
	9067043	Washer, $\frac{3}{8}$ " plain } to	2	
	9664242	Washer, $\frac{3}{8}$ " shakeproof } crossmember	2	

GEARBOX (Standard Transmission) UNIT

Plate Ref.	Part Number	DESCRIPTION	No. per Veh.	REMARKS

Publication No. 660992

SECTION GA

GEARBOX (Standard Transmission) UNIT (and Floor Change Control)

From Chassis No. B94100001 BU, B94600001 CKD

GEARBOX (Standard Transmission) UNIT

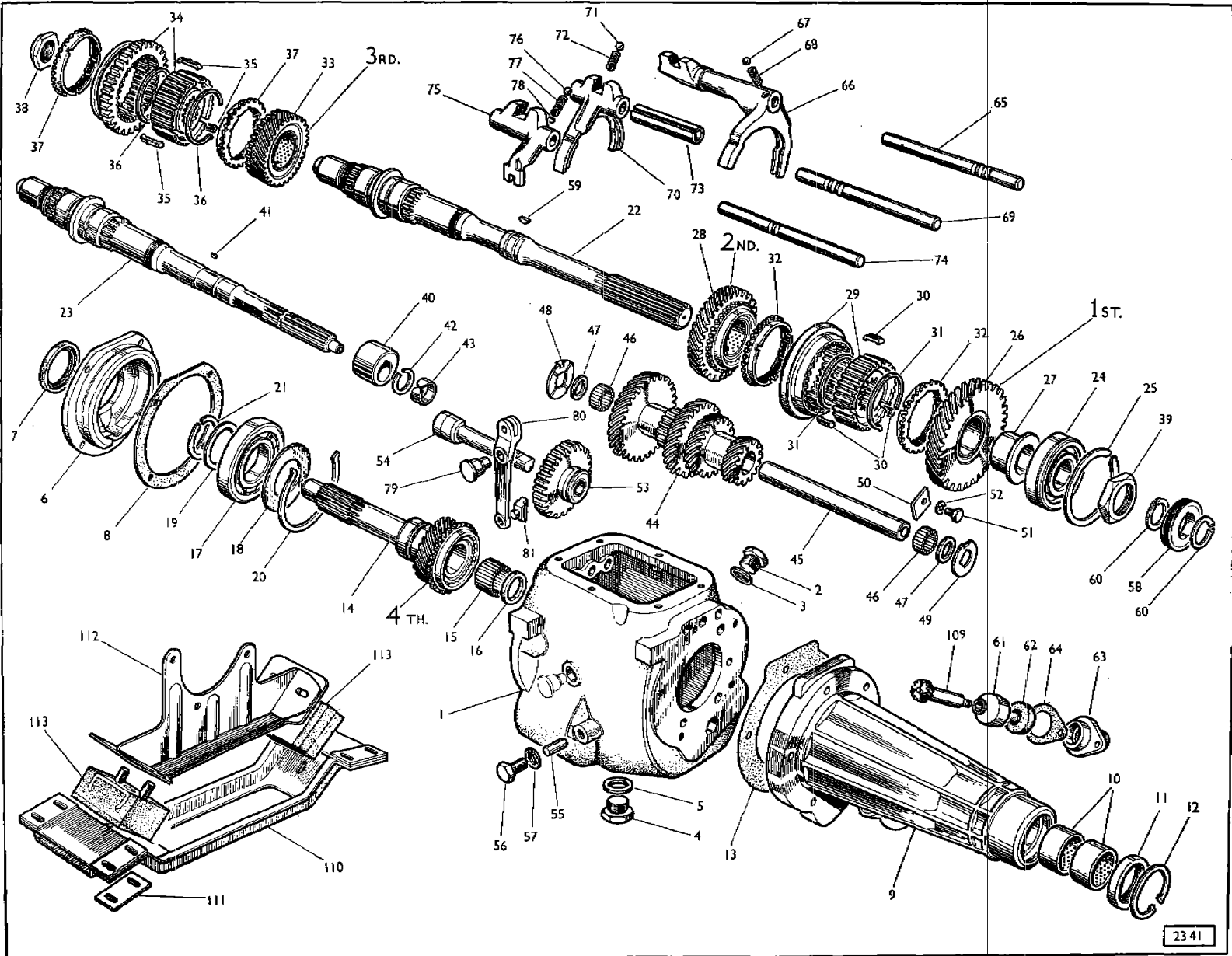


PLATE A — SECTION GA

GEARBOX (Standard Transmission) UNIT

2342

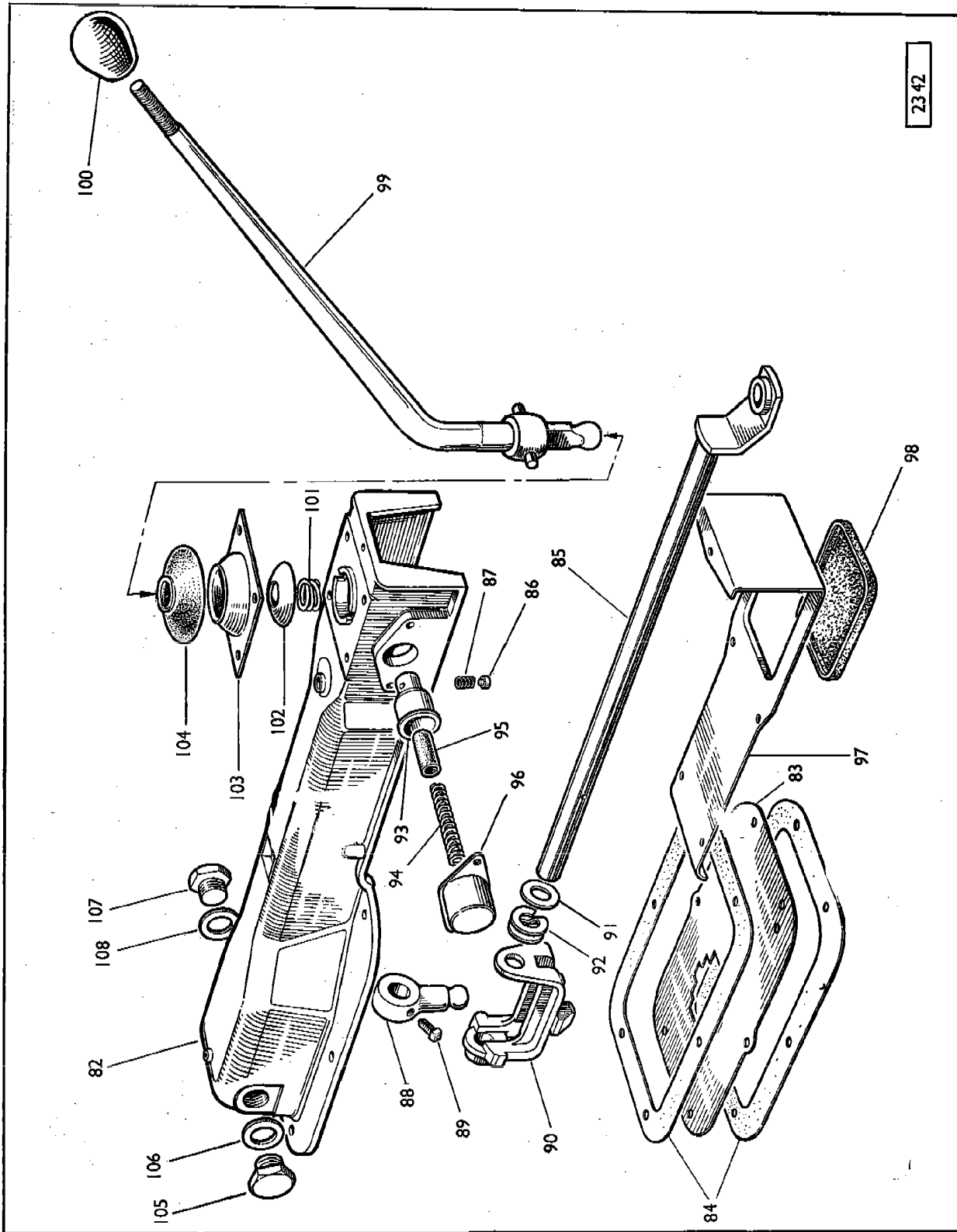


PLATE B — SECTION GA

GEARBOX (Standard Transmission) UNIT

Plate Ref.	Part Number	DESCRIPTION	No. per Veh.	REMARKS
		NOTE. FROM CHASSIS No. B94100001 BU, B94600001 CKD.		
	5220878 s/d by 5220974	GEARBOX (Transmission) UNIT ... See Data Sheet 2B/102	1	Non-Overdrive Models up to intro. 5220998 Overdrive Models up to intro. 5220999 Non-Overdrive Models From B395000001 B.U., B395900001 C.K.D. up to intro. 5221289 Overdrive Models From B395000001 B.U., B395900001 C.K.D. up to intro. 5221290 Non-Overdrive Models from B395017309 Overdrive Models from B395017327 Up to intro. 1235712 From B395000001 B.U., B395900001 C.K.D.
	5220879 s/d by 5220975	GEARBOX (Transmission) UNIT ... See Data Sheet 2B/101	1	
	5220998	GEARBOX (Transmission) UNIT ...	1	
	5220999	GEARBOX (Transmission) UNIT ...	1	
	5221289	GEARBOX (Transmission) UNIT ...	1	
	5221290	GEARBOX (Transmission) UNIT ...	1	
	1224500	Casing—Gearbox (Transmission) ...	1	
A1	1235712	Casing—Gearbox (Transmission) ...	1	
A2	9801043	Filler plug ...	1	
A3	5220713	Washer—Filler plug ...	1	
A4	9801043	Drain plug, 1/2" BSP. ...	1	
A5	5220713	Washer—Drain plug ...	1	
A6	1224586	FRONT COVER ...	1	
A7	9102080	Oil seal—Front cover ...	1	
A8	1224595	Gasket ...	1	
	29900442	Stud, 3/8" UNF/UNC. ...	4	
	9661201 s/d by 9661203	Washer, 5/8" spring ...	4	
	5220701	Nut, 3/8" UNF. ...	4	
	1216120	REAR COVER ...	1	
	5220886	Bush ...	2	
	9102070 s/d by 5220945	Oil seal ...	1	
	9204029	Circlip ...	1	
A9	1235732	REAR COVER ...	1	
A10	1235731	Bush ...	1	
A11	5220956	Oil seal ...	1	
A12	9204035	Circlip ...	1	
	P.108154	Gasket ...	1	
A13	1236344	Gasket ...	1	
	1235730	Gasket ... Rear cover/Overdrive adaptor to gearbox (Transmission) casing	1	
	19405121	Bolt, 3/8" UNC. x 1 1/2"	5	
	9067023	Washer, 3/8" plain ...	2	
	9664203	Washer, 3/8" shakeproof ...	5	
		Note. The above 3 items also fix the Rear Engine support bracket.		

GEARBOX (Standard Transmission) UNIT

Plate Ref.	Part Number	DESCRIPTION	No. per Veh.	REMARKS	
		GEARBOX (Transmission) UNIT—continued			
A14	1229454 s/d by 1236600	PRIMARY (Clutch) SHAFT (Stemwheel)	1	Up to intro. 1229456 From B395000001 B.U. B395900001 C.K.D. up to B395002814 B.U. From B395002815 B.U. up to intro. 1238388 From B395017309 Std. B395017327 O/D	
	1229456 s/d by 1236602	PRIMARY (Clutch) SHAFT (Stemwheel)	1		
	1236602	PRIMARY (Clutch) SHAFT (Stemwheel)	1		
	9101826	Plug—Stemwheel	1		
	1238388	PRIMARY (Clutch) SHAFT (Stemwheel)	1		
A15	9187220	Roller	23	} Alternatives	
A16	1224578	Collar—Roller } Primary (Clutch) shaft	1		
A17	9188040	Bearing	1		
A18	9071086	Shield	1		
A19	9071158	Abutment washer, .058"/.060" thick } Primary (Clutch) shaft bearing	1		
	9071159	Abutment washer, .054"/.056" thick }	1		
A20	1224593	Retaining ring	1		
A21	P.55507	Lock ring	1		
A22	1229418	MAINSHAFT	1		Non-Overdrive Models up to intro. 1239414 Non-Overdrive Models from B395017309 Overdrive Models up to intro. 1239415 Overdrive Models from B395017327
	1239414	MAINSHAFT	1		
A23	1229419	MAINSHAFT	1	Overdrive Models up to intro. 1239415 Overdrive Models from B395017327	
	1239415	MAINSHAFT	1		
A24	9197000	Bearing—Mainshaft	1	Up to intro. 5221245 From B395017309 Std. B395017327 O/D	
A25	P.55516	Retaining ring—Bearing	1		
A26	1224527	1st SPEED WHEEL (Gear)	1		
A27	1224545	Distance piece—1st speed wheel (Gear)	1		
A28	1224530	2nd SPEED WHEEL (Gear)	1		
A29	1228905	Synchro Hub and Sleeve—1st and 2nd speed	1		
	5221245	Synchro Hub and Sleeve—1st and 2nd speed	1		
A30	1224547	Shifting plate }	3		
A31	1224540	Circlip } 1st and 2nd speed	2		
A32	5220875	Baulking ring	2		
A33	1224532	3rd SPEED WHEEL (Gear)	1		
A34	1228906	REVERSE WHEEL and 3rd and 4th SYNCHRO HUB	1	Up to intro. 5221246 From B395017309 Std. B395017327 O/D	
	5221246	REVERSE WHEEL and 3rd and 4th SYNCHRO HUB	1		
A35	1224544	Shifting plate }	3	} Overdrive Models	
A36	1224540	Circlip } 3rd and 4th speed	2		
A37	5220875	Baulking ring	2		
A38	1217970	Nut, 3rd and 4th speed wheel	1		
A39	9029209	Nut ... } Mainshaft	1		
	1210201	Tab washer } rear bearing	1		
A40	1218172	CAM—OVERDRIVE OIL PUMP	1		
A41	9213001	Key, 1/2" x 3/8" Woodruff } Cam to	1		
A42	9207036	Circlip ... } mainshaft	1		
A43	P.109416	Retaining ring—Mainshaft	1		
A44	1224510	LAYSHAFT CLUSTER (Countershaft gears)	1	Up to intro. 1224511 From B395000001 B.U., B395900001 C.K.D. Up to B94103393 From B94103394	
	1224511	LAYSHAFT CLUSTER (Countershaft gears)	1		
A45	1224502 s/d by 1235274	Layshaft spindle (Countershaft)	1		
	1235274	Layshaft spindle (Countershaft)	1		

GEARBOX (Standard Transmission) UNIT

Plate Ref.	Part Number	DESCRIPTION	No. per Veh.	REMARKS
GEARBOX (Transmission) UNIT—continued				
A46	9187205	Roller	54	
A47	P.27766	Abutment ring	2	
A48	1224503	Thrust washer, .060"/.058"	1	} Front } Layshaft (Countershaft)
	1224504	Thrust washer, .063"/.061"	1	
	1224505	Thrust washer, .066"/.064"	1	
	1224506	Thrust washer, .069"/.067"	1	
A49	5220868	Thrust washer—Rear	1	
A50	1224509	Locking plate	1	
A51	19604031	Screw, 1/2" UNC. x 3/8"	1	
A52	9664162	Washer, 1/2" shakeproof } to casing	1	
A53	1229538	s/d by 9664163	1	
A54	1224513	REVERSE IDLER WHEEL (Gear)	1	
A55	9146192	Spindle—Reverse Idler	1	
A56	5220691	Pin, .2512"/.2509" dia. x 1-12" long	1	
A57	9078012	Screw, 1/8" UNF. x 1/2"	1	
A58	1216915	Washer, 5/16" fibre	1	
		SPEEDOMETER DRIVING WHEEL (Gear)	1	Non-Overdrive Models up to intro 1236713
	1236713	SPEEDOMETER DRIVING WHEEL (Gear)	1	Non-Overdrive Models from B395017309
		SPEEDOMETER DRIVING WHEEL (Gear)	1	Overdrive Models—See O/Drive(Transmission)Unit
A59	9213001	Key } Speedometer driving wheel	1	} Non-Overdrive Models up to intro. 9205068 From B395017309
A60	9205053	Circlip } (Gear to Mainshaft)	2	
	9205068	Circlip }	2	
<p>Note. Speedometer Driving Pinion is not included in Gearbox (Transmission) Units. Order separately if required.</p>				
A61	P.108159	Bearing—Speedometer pinion	1	} Non-Overdrive Models
A62	9102005	Seal—Speedometer drive	1	
A63	P.117694	Adaptor—Speedometer cable	1	
A64	1219684	Gasket	1	
	19604041	Screw, 1/2" UNC. x 1/2" } Adaptor	2	
	9661161	Washer, 1/2" spring	2	
A65	1229302	1st and 2nd SELECTOR SHAFT (Shift rod)	1	
A66	1229303	Shift fork	1	
A67	9187008	Ball, 5/16" dia. } 1st and 2nd selector	1	
A68	P.82493	Spring—Ball }	1	
A69	1229302	3rd and 4th SELECTOR SHAFT (Shift rod)	1	
A70	1229301	Shift fork	1	
A71	9187008	Ball, 5/16" dia. } 3rd and 4th	1	
A72	P.82493	Spring—Ball } selector	1	
A73	1224599	Distance piece }	1	
A74	1229305	REVERSE SELECTOR SHAFT (Shift rod)	1	
A75	1229304	Shift fork	1	
A76	9187008	Ball, 5/16" dia. } Reverse	1	
A77	P.82493	Spring—Ball } selector	1	
A78	9071002	Shim, .020"	A/R	
A79	1224501	Pivot—Relay lever	1	
A80	1219876	Relay lever c/w pin } Reverse	1	} Up to B395004541 From B395004542
A81	1228204	Shoe—Relay lever } Gear See Data 2B/111	1	
	1238332	Relay lever c/w pin }	1	

GEARBOX (Standard Transmission) UNIT

Plate Ref.	Part Number	DESCRIPTION	No. per Veh.	REMARKS
		GEARBOX (Transmission) UNIT—continued		
B82	1228258	TOP COVER	1	
	1216520	Bush—Top cover	2	
	1229068	Seal housing	1	
	9107304	Seal	1	
B83	1228226	Oil shield—Top cover	1	
B84	1205886	Gasket	2	
	19604061	Screw, 1/4" UNC. x 3/4" } Top cover	6	
	9664163	Washer, 1/4" shakeproof } and oil shield	6	
B85	1228259	Shaft c/w lever... ..	1	Up to B395014025
	1239011	Shaft c/w lever... ..	1	From B395014026
B86	1216453	Damper pad } Shaft	1	
B87	1208352	Spring—Pad } and lever	1	
B88	1208297	Lever, Selector... ..	1	
B89	P.101063	Screw, Special—Lever to shaft }	1	
B90	1228222	Selector safety latch	1	
B91	9067056	Washer, 1/8" plain ... } Safety	1	
B92	9086011	Washer, 1/8" D.C. spring } latch	1	
B93	1228371	Plunger—Reverse stop	1	
B94	1228720	Spring—Plunger	1	
B95	1228718	Rubber sleeve—Plunger spring	1	
B96	1228719	Retainer—Spring	1	
	19504051	Screw, 1/4" UNF. x 3/8" } Retainer to	2	
	9660161	Washer, 1/4" spring } top cover	2	
B97	1203057	Closing plate—Top cover	1	Up to B395014025
	1239013	Closing plate—Top cover	1	From B395014026
	49361042	Screw, No. 6 x 1/4" Pan Hd.	6	
	39313051	Screw, No. 10 x 3/8" Pan Hd. ... } Closing	1	
	9660121	Washer, 3/8" spring ... } plate	1	
B98	1203076	Dust cover (Rubber)	1	Up to B395014025
B99	1228270	CHANGE SPEED (Gearshift) LEVER ASSEMBLY	1	
	1228227	Knob	1	Up to intro. 1238390
B100	1238390	Knob	1	From B395000001 B.U., B395900001 C.K.D.
	9520056	Locknut, 3/8" UNF. } Change speed (Gearshift) lever	1	
B101	1205203	Spring	1	
B102	1203071	Disc	1	
B103	1228274	Cap	1	
B104	1216103	Grommet—Cap	1	
	39313051	Screw, No. 10 UNF. x 3/8" Pan Hd. } Cap to	4	
	9660121	Washer, 3/8" spring ... } top cover	4	
	2214327	Grommet—Change speed (Gearshift) lever	1	
B105	9803029	Plug } Overdrive	1	
B106	9078033	Washer } switch hole... ..	1	Non-Overdrive
	9803029	Plug—Reverse light switch	1	Models
	9078033	Washer—Plug	A/R	
		Overdrive switch } See Electrical	1	
		Washer—Switch } Section	1	Overdrive
B107	9803029	Plug—Reverse light switch	1	Models
B108	9078033	Washer—Plug	A/R	

GEARBOX (Standard Transmission) UNIT

Plate Ref.	Part Number	DESCRIPTION	No. per Veh.	REMARKS
A109	1207586	GEARBOX (Transmission) UNIT—continued		} Non-Overdrive Models } Check type required when } ordering } Overdrive Models — See } O/drive(Transmission)Unit
	1207587	SPEEDOMETER DRIVING PINION (13 Teeth)	1	
		SPEEDOMETER DRIVING PINION (14 Teeth)	1	
	SPEEDOMETER DRIVING PINION			
A110	2213025	CROSSMEMBER—REAR ENGINE MOUNTING	1	
A111	19805071	Screw, $\frac{1}{8}$ " UNF. $\times \frac{7}{8}$ "	8	
	9090306	Spreader plate ... } Crossmember to frame	4	
	9661201	Washer, $\frac{1}{8}$ " spring ... }	8	
A112	P.116089	ENGINE SUPPORT BRACKET (Rear)	1	
A113	1206582	Support rubber	2	
	9664203	Washer, $\frac{1}{8}$ " shakeproof } Support rubber	4	
	5220701	Nut, $\frac{1}{8}$ " UNF. ... } to bracket	4	
	5220686	Bolt, $\frac{3}{8}$ " UNF. $\times \frac{3}{4}$ " } Support rubber	2	
	9664242	Washer, $\frac{1}{8}$ " shakeproof } to	2	
	9067043	Washer, $\frac{3}{8}$ " plain } crossmember	2	

GEARBOX (Standard Transmission) UNIT

Plate Ref.	Part Number	DESCRIPTION	No. per Veh.	REMARKS

Publication No. 6600992

SECTION H

GEARBOX (Automatic Transmission) UNIT Series IV only

Lit. 023

GEARBOX (Automatic Transmission) UNIT—Series IV only

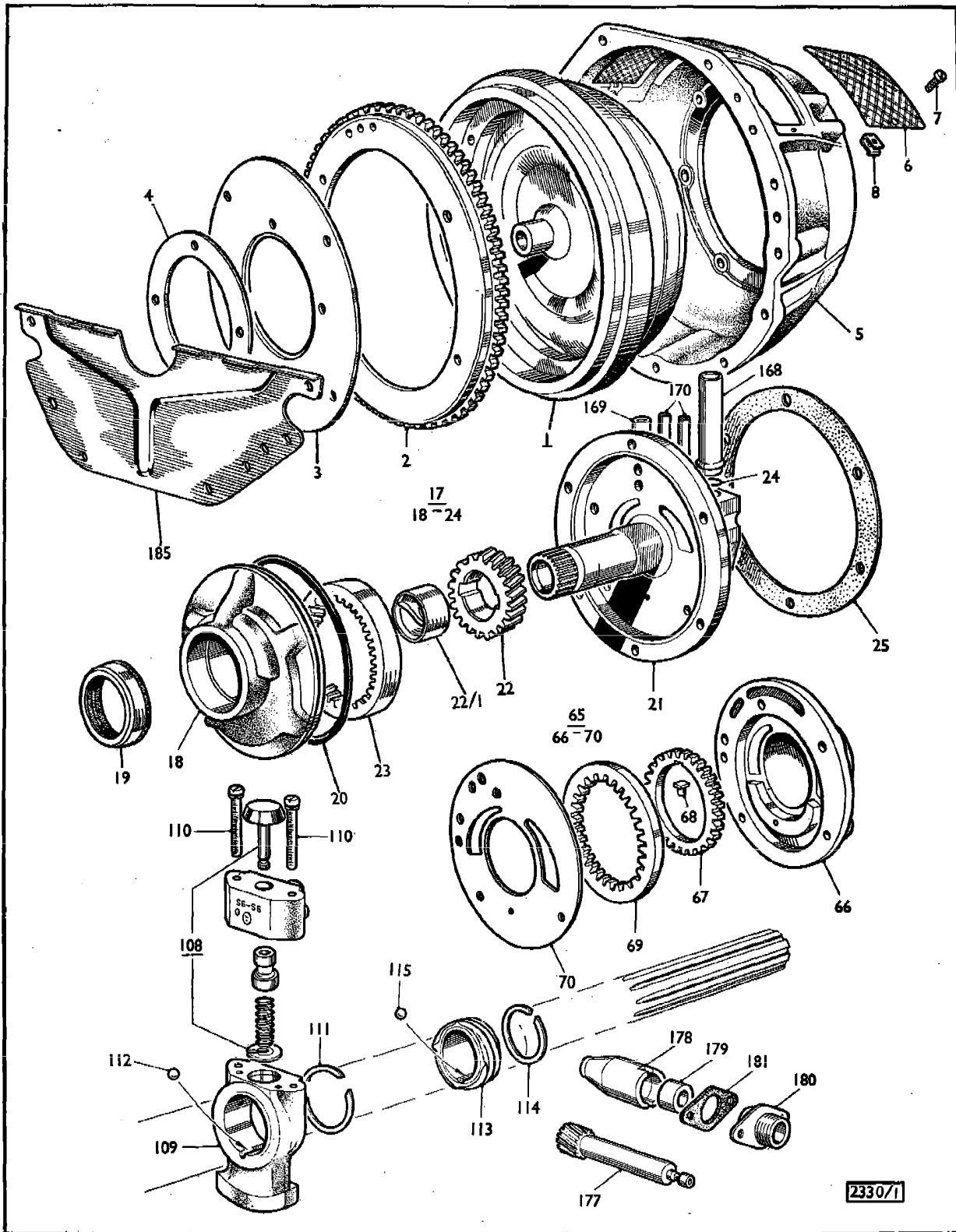


PLATE A — SECTION H

Lit. 023

GEARBOX (Automatic Transmission) UNIT—Series IV only

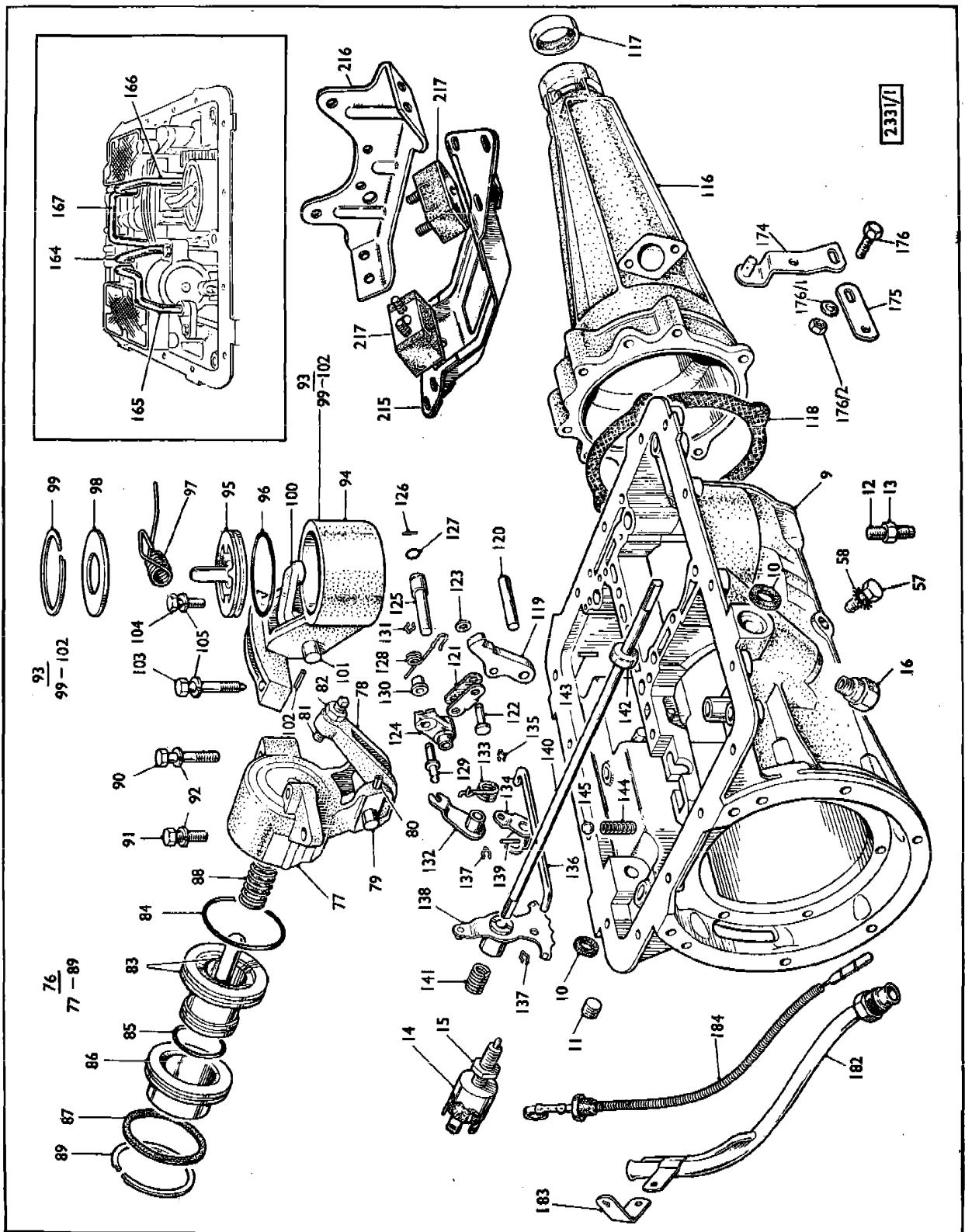
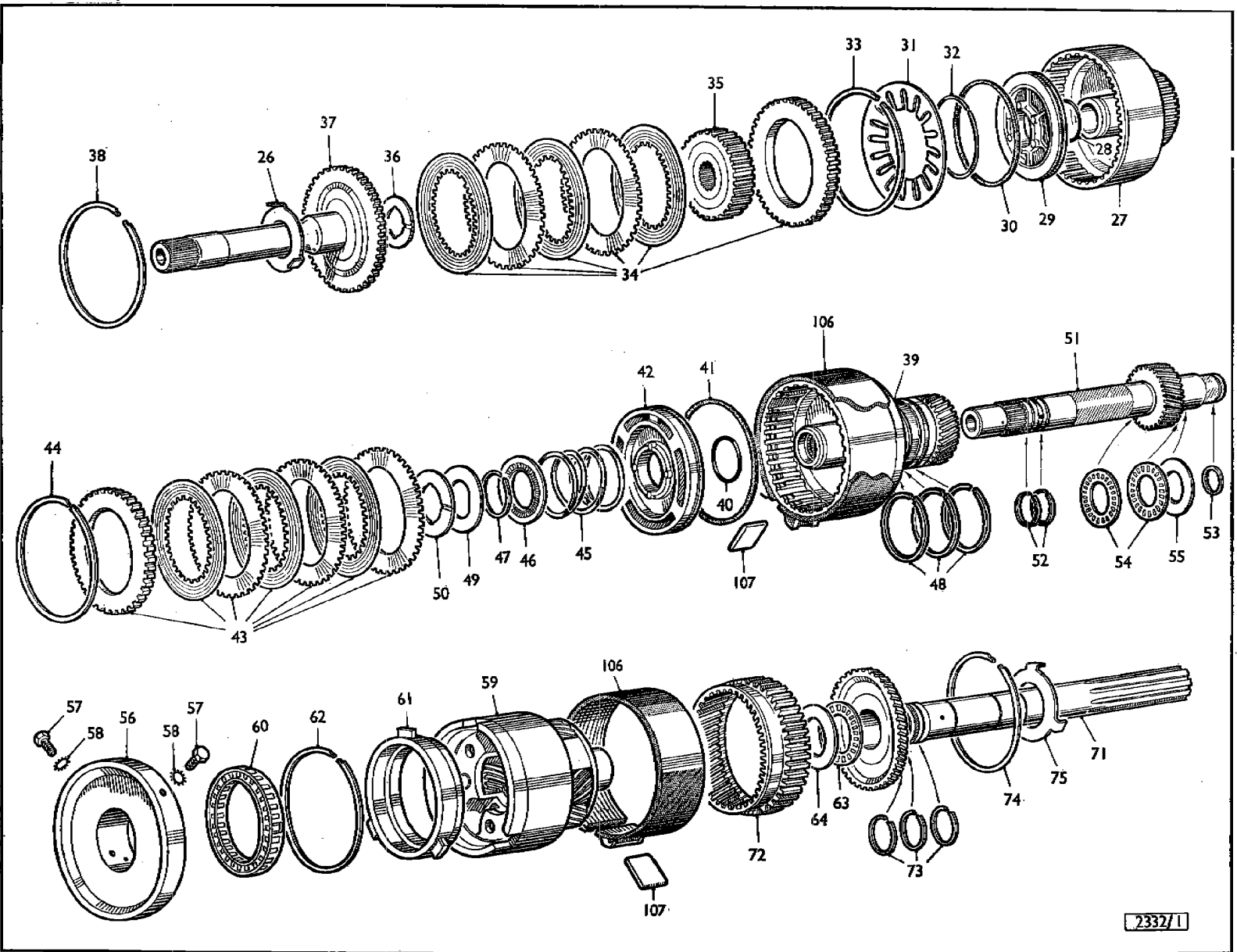


PLATE B — SECTION H

Lit. 023

GEARBOX (Automatic Transmission) UNIT—Series IV only



2332/1

PLATE C — SECTION H

Lit. 023

GEARBOX (Automatic Transmission) UNIT—Series IV only

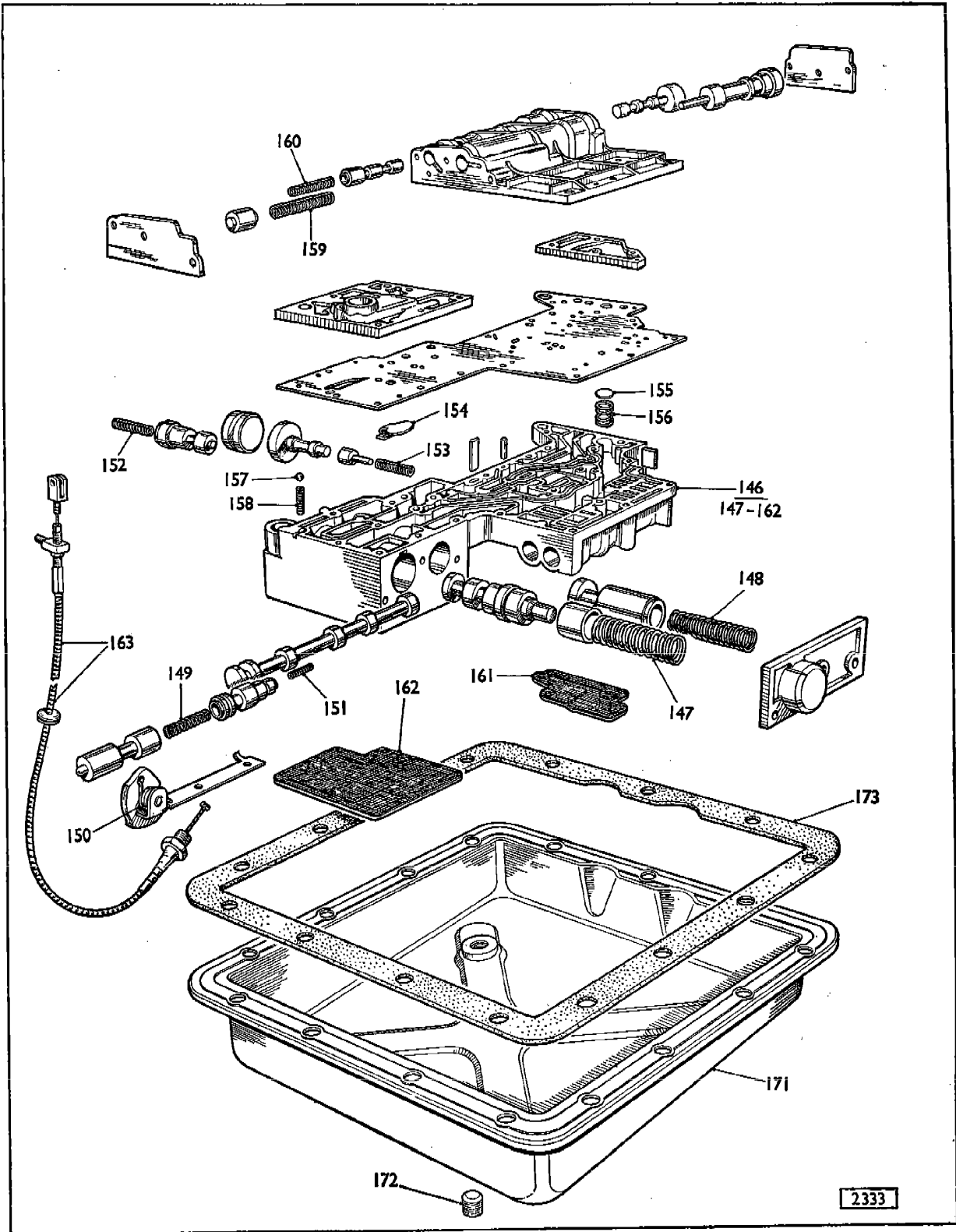


PLATE D—SECTION H

Lit. 023

GEARBOX (Automatic Transmission) UNIT SERIES IV ONLY

Plate Ref.	Part Number	DESCRIPTION	No. per Veh.	REMARKS	
		GEARBOX (Transmission) UNIT—continued			
		FRONT CLUTCH			
	5039813 s/d by 5044107	Cylinder	1	Up to Unit 3EP 1855 From Unit 3EP 1856	
C27	5044107	Cylinder—Front clutch	1		
C28	9107061	“O” ring—Cylinder	1		
C29	5039814	Piston	1		
C30	9122276	Sealing ring—Piston	1		
C31	5039815	Clutch spring	1		
C32	9207065	Bearing ring } Clutch	1		
C33	5039862	Snap ring ... } spring	1		
C34	5039816	Clutch plate set	1		
C35	5039819	Hub gear	1		
C36	5039821	Thrust washer—Hub	1		
C37	5039822	Clutch shaft	1		
C38	5039862	Snap ring—Clutch plates and shaft	1		
		REAR CLUTCH			
C39	5039824	Drum and gear	1	Up to intro. 5044108 From Unit 3EP-1001	
C40	5040370	“O” ring—Drum	1		
C41	9122277	Sealing ring	1		
C42	5039825	Piston and ball	1		
C43	5039826	Clutch plate set	1		
C44	5039862	Snap ring—Clutch plate	1		
C45	5039829	Clutch spring	1		
C46	5039830	Seating cup—Spring	1		
C47	9207052	Snap ring—Seating cup	1		
C48	5039831	Oil ring—Drum	3		
C49	5039832	Thrust washer (Steel) } Front to	1		
C50	5039833	Thrust washer (Bronze) } rear clutch			
		SUN WHEEL AND SHAFT			
C51	5044108	SUN WHEEL AND SHAFT	1		Up to intro. 5044109 From Unit 3EP-1001
C52	5039835	Oil ring—Front	2		
		SUN WHEEL SHAFT			
	5039973	Oil ring—Rear } Sun wheel shaft	1		
C53	5044109	Oil ring—Rear }			
C54	5039836	Needle thrust washer } Sun wheel to rear clutch	2		
C55	5039837	Plate—Thrust washer } drum and planet carrier			
C56	5039842	Centre support	1	Up to Unit 3EP-2148 From Unit 3EP-2149	
BC57	5039843	Screw ... } Centre support	2		
BC58	9086021	Lockwasher } main casing			
	5039839 s/d by 5043276	PLANET CARRIER c/w GEARS ... See Data 2B/109	1		
C59	5043276	PLANET CARRIER c/w GEARS	1		
C60	5039841	One way clutch	1	Up to Unit 3EP-2148 From Unit 3EP-2149	
C61	5039840	One way clutch race	1		
C62	5039862	Snap ring—One way clutch	1		
C63	5040365	Needle thrust washer } Planet carrier to rear pump	1		
	5039838	Plate—Thrust washer }			
C64	5043277	Plate—Thrust washer }			
A65	5039844	REAR PUMP ASSEMBLY	1		
A66		Body—Rear pump	1		} Not supplied
A67		Drive gear			
A68	5039848	Key—Drive gear to shaft	1		} Not supplied
A69		Driven gear	1		
A70	5039845	Pump plate			
	59421826	Screw, 1/4" UNC. x 1 1/8" hex. hd. } Rear pump body	5		
	9773083	Screw—Special ... } to main casing			
C71	5039850	DRIVE SHAFT—Rear Pump	1		

GEARBOX (Automatic Transmission) UNIT SERIES IV ONLY

Plate Ref.	Part Number	DESCRIPTION	No. per Veh.	REMARKS
		GEARBOX (Transmission) UNIT—continued		
C72	5039851	TRANSFER RING GEAR—Drive Shaft	1	
C73	5039969	Oil ring	3	
C74	9207247	Snap ring, .055" thick	1	} Selective
	9207228	Snap ring, .057" thick	1	
	9207267	Snap ring, .059" thick	1	
C75	5039852	Thrust washer	1	
B76		FRONT SERVO UNIT		
	5039854 s/d by 5043762	Body—Servo	1	Not supplied Up to 3EP-2984
B77	5043762	Body—Servo	1	From 3EP-2985
B78	5039853	Lever	1	
	5039860	Pivot pin—Lever to body	1	Up to EP-2984
B79	5043761	Pivot pin—Lever to body	1	From 3EP-2985
B80	5039870	Spring pin—Pivot pin	1	Up to 3EP-2984
B81	5039861	Adjuster screw—Servo	1	
B82	9029168	Nut—Adjuster screw	1	
B83	5039855	Piston and pin	1	
B84	9107084	"O" Ring (Large)	1	} Piston
B85	9107148	"O" Ring (Small)	1	
B86	5039857	Sleeve—Piston	1	
B87	9122275	Sealing ring—Sleeve	1	
B88	5042225	Spring—Servo	1	
B89	9207223	Snap ring—Sleeve	1	
B90	59522207	Screw, $\frac{1}{8}$ " UNC. \times $1\frac{1}{2}$ "	1	} Front servo to main casing...
B91	19605081	Screw, $\frac{1}{8}$ " UNC. \times 1"	1	
B92	9661201 s/d by 9661203	Washer, $\frac{1}{8}$ " spring	1	
B93		REAR SERVO UNIT		
	5039863	Body	1	Not supplied
B94	5043273	Body } Servo	1	Up to Unit 3EP-2384
B95	5039864	Piston } Servo	1	From Unit 3EP-2385
B96	9107092	"O" Ring—Piston	1	
	5039866	Spring } Servo	1	Up to Unit 3EP-2384
B97	5043274	Spring } Servo	1	From Unit 3EP-2385
B98	5039867	Retainer—Spring	1	
B99	9207232	Snap ring—Retainer	1	
B100	5039868	Lever—Servo	1	
	5039860	Pivot pin } Lever	1	Up to Unit 3EP-2384
B101	5043275	Pivot pin } Lever	1	From Unit 3EP-2385
B102	5039870	Spring pin—Pivot pin	1	
	5043578	Magnet—Rear servo unit	1	
B103	5039871	Special screw	1	
B104	19606121	Screw, $\frac{1}{8}$ " UNC. \times $1\frac{1}{2}$ "	1	} Rear servo to main casing
B105	9661241 s/d by 5221254	Washer, $\frac{1}{8}$ " spring	2	
C106	5039889	BRAKE BAND	2	
C107	5039890	Strut—Brake band to servo	2	
A108	5042226	GOVERNOR ASSEMBLY less Sleeve	1	
A109		Sleeve—Governor		Not supplied
A110	59422226	Screw, $\frac{1}{4}$ " UNC. \times $1\frac{1}{2}$ ", Governor to sleeve	2	
A111	9207052	Snap ring } Governor sleeve to	1	
A112	9187006	Ball, $\frac{1}{4}$ " dia. } rear pump shaft	1	
A113	1216816	SPEEDOMETER DRIVING WHEEL (Gear)	1	
A114	9207041	Snap ring } Speedo wheel	1	
A115	9187004	Ball, $\frac{1}{8}$ " dia. } to shaft	1	

GEARBOX (Automatic Transmission) UNIT SERIES IV ONLY

Plate Ref.	Part Number	DESCRIPTION	No. per Veh.	REMARKS	
		GEARBOX (Transmission) UNIT—continued			
		EXTENSION HOUSING			
B116	5039971	Oil seal	1		
B117	9102074	Gasket	1		
B118	5039972	Bolt, $\frac{1}{8}$ " UNF. \times 1"	4	} Extension housing to main casing	
	59521607	Pin	1		
B119	5039872	Anchor pin—Pawl	1		
B120	5039882	Link—Pawl and toggle	1		
B121	5039873	Pin	1	} Link to parking brake	
B122	5039874	Washer	1		
B123	9067481	Toggle lever	1		
B124	5039876	Pin—Toggle lever	1		
B125	5039880	Spring pin	1	} Toggle pin	
B126	5039881	"O" ring	1		
B127	9107024	Spring—Pawl release	1		
B128	5039875	Pin	1	} Spring	
B129	5039877	Retainer	1		
B130	5039878	Retainer spring	1	} Parking brake	
B131	5039879	Lever—Toggle lift	1		
B132	5039883	Spring—Lever	1		
B133	5039884	Torsion lever	1		
B134	5039885	Retainer spring—Levers	1		
B135	5039886	Link—Torsion lever to manual detent lever	1		
B136	5039887	s/d by 5043916	1		
B137	5039888	Retainer spring—Link to levers	2		
B138	5039952	s/d by 5042704	1		
B139	9810811	Lever—Manual detent	1		
B140	5039953	Pin, $\frac{1}{8}$ " \times $\frac{1}{8}$ "—Lever to shaft	1		
B141	5039954	Shaft—Manual detent lever	1		
B142	5039955	Bias spring—Shaft	1		
B143	9810810	Collar—Shaft	1		
B144	5039956	s/d by 5044115	1		
B145	9187009	Pin, $\frac{1}{8}$ " \times $\frac{3}{8}$ "—Collar to shaft	1		
D146	5039956	Detent spring	1	} Manual valve	
D147	9187009	Ball, $\frac{3}{8}$ " dia.	1		
D148	5039891	VALVE BLOCK COMPLETE	1	Replacement available	
D149	5039896	Spring—Primary regulator valve	1		
D150	5039898	Spring—Secondary regulator valve	1		
D151	5039903	Spring—Throttle and downshaft valves	1		
D152	5058810	Stop plate	1		
D153	5039939	Cam assembly—Downshift valve	1		
D154	5039906	Return spring	1		} Throttle valve
D155	5039904	Stop	1		
D156	5039909	Spring—Control valve	1		
D157	5039925	Spring—Modulator valve	1		
D158	5039928	Check valve—Front pump	1		
D159	5039930	Check valve—Rear pump	1		
D160	5039932	Spring—Rear pump check valve	1		
D161	9187006	Ball, $\frac{1}{2}$ " dia.	1		} Convertor out check
D162	5039933	Spring	1		
D163	5039915	Spring—2nd and 3rd shift valve	1		
D164	5039919	Spring—1st and 2nd shift valve	1		
D165	5039938	Oil strainer—Rear pump	1		
D166	59323226	Screw, No. 10 UNF. \times 2"	2	} Oil strainer to lower	
D167	9067016	Washer, $\frac{1}{2}$ " plain	2		
D168	59321626	Screw, No. 10 UNF. \times 1"	2	} valve body	
D169	5039937	Oil strainer—Front pump	1		
D170	59320626	Screw, No. 10 UNF. \times $\frac{3}{8}$ "	4	} Oil strainer to lower valve body	
D171	9067463	Washer, $\frac{1}{8}$ " plain	4		

GEARBOX (Automatic Transmission) UNIT SERIES IV ONLY

Plate Ref.	Part Number	DESCRIPTION	No. per Veh.	REMARKS
		GEARBOX (Transmission) UNIT—continued		
D163	59422007	Screw, $\frac{1}{4}$ " UNC. \times $1\frac{3}{8}$ "	1	From B94100001 BU, B94600001 CKD.
	59423207	Screw, $\frac{1}{4}$ " UNC. \times 2"	2	
	5039951	Cable assembly—Throttle valve	1	
	9179202	Cable clip	1	
B164	5039944	Oil apply tube } Front	1	
B165	5039945	Oil release tube } servo	1	
B166	5039950	Oil apply tube—Rear servo	1	
B167	5039946	Oil tube—Rear clutch	1	
A168	5039948	Oil inlet tube } Front	1	
A169	5039947	Oil outlet tube } pump	1	
A170	5039949	Oil inlet and outlet tube—Convertor	2	
D171	5039957	SUMP (Oil Pan)	1	
D172	9803179	Drain plug—Sump (oil pan)	1	
D173	5039958	Gasket } Sump (oil pan)	1	
	5039960	Bolt } to main casing	15	
	1223973	Gearshift lever—External	1	} Up to B94100197
	9067023	Washer, $\frac{3}{8}$ " plain } Lever to	1	
	9554053	Nut, $\frac{3}{8}$ " UNF. } shaft	1	
BE174	1229318	Gearshift lever—External	1	} From B94100198
BE175	1229320	Locating lever	1	
BE176	19505061	Screw, $\frac{3}{8}$ " UNF. \times $\frac{1}{2}$ "	1	
BE176/1	9068013	Washer, $\frac{3}{8}$ " plain } to	1	
BE176/2	9556053	Cleaveloc nut, $\frac{3}{8}$ " UNF. } locating lever	1	
	9556053	Cleaveloc nut, $\frac{3}{8}$ " UNF.—Lever to shaft	1	
A177	1216794	SPEEDOMETER PINION	1	USA/Canada Models up to B94102641 USA/Canada only from B94102642
	1216793	SPEEDOMETER PINION	1	
A178	P.108159	Bearing } Speedometer	1	
A179	9102005	Seal } pinion	1	
A180	P.117694	Adaptor—Speedometer cable	1	
A181	1219684	Gasket	1	
	19604041	Screw, $\frac{1}{4}$ " UNC. \times $\frac{1}{2}$ "	2	} Adaptor to extension bearing
	9661161	Washer, $\frac{1}{4}$ " spring	2	
B182	1216837	OIL FILLER TUBE—Gearbox (Transmission) Unit	1	
	19505061	Screw, $\frac{3}{8}$ " UNF. \times $\frac{1}{2}$ "	1	} Support bracket
	9067023	Washer, $\frac{3}{8}$ " plain	2	
	9660203	Washer, $\frac{3}{8}$ " spring	1	
	5220701	Nut, $\frac{3}{8}$ " UNF.	1	} to support clip
B183	1216841	Support bracket—Oil tube	1	
	29805111	Stud, $\frac{3}{8}$ " UNF./UNC.	1	
	9067023	Washer, $\frac{3}{8}$ " plain	1	} Bracket to cylinder head
	9660203	Washer, $\frac{3}{8}$ " spring	1	
	P.29673	Distance piece	1	
	5220701	Nut, $\frac{3}{8}$ " UNF.	1	
B184	1224301	DIPSTICK Gearbox (Transmission) Unit	1	
		STIFFENERS AND CONVECTOR HOUSING FIXINGS		
	19106183	Bolt, $\frac{3}{8}$ " UNF. \times $2\frac{1}{4}$ "	1	
	19506101	Screw, $\frac{3}{8}$ " UNF. \times $1\frac{1}{4}$ "	3	
	9067036	Washer, $\frac{3}{8}$ " plain	5	} Convertor housing
	9661241	Washer, $\frac{3}{8}$ " spring	5	
	5220703	Nut, $\frac{3}{8}$ " UNF.	2	} cylinder block
	9146156	Dowel	1	
	P.103710	Dowel bolt	1	

GEARBOX (Automatic Transmission) UNIT SERIES IV ONLY

Plate Ref.	Part Number	DESCRIPTION	No. per Veh.	REMARKS	
STIFFENERS & CONVERTOR HOUSING FIXINGS—cont.					
A185	1207095 s/d by 1228163	Cover—Convertor housing	1	Up to B94100000 BU, B94600000 CKD From B94100001 BU, B94600001 CKD	
	1214572	Stiffener, O/S (R.H.)	1		
	1214573	Stiffener, N/S (L.H.)	1		
	1214585	Shim—Stiffener to Convertor housing	1		
	19105091	Bolt, $\frac{1}{8}$ " UNF. \times $1\frac{1}{2}$ "	4		
	19105091	Bolt, $\frac{1}{8}$ " UNF. \times $1\frac{1}{2}$ "	1		
	5220692	Bolt, $\frac{1}{8}$ " UNF. \times $\frac{3}{4}$ " ... } Stiffeners and cover	3		
	9067023	Washer, $\frac{1}{8}$ " plain ... } to convertor housing	5		
	19105121	Bolt, $\frac{1}{8}$ " UNF. \times $1\frac{1}{2}$ "	3		
	9067032	Washer, $\frac{1}{8}$ " plain	2		
	5220701	Nut, $\frac{1}{8}$ " UNF.	7		
GEARBOX (Gearshift) CONTROL					
E186	1223946	HAND LEVER	1		
E187	1223947	Knob—Hand lever	1		
E188	1223948	Actuator pin	1		
E189	9144026	Clevis pin ... } Hand lever to	1		
E190	9067022	Washer, $\frac{1}{8}$ " plain } pivot pin	1		
E191	1224463	Bias spring—Hand lever	1		
E192	1223949	Pivot pin—Gear control	1		
E193	1223954	Pivot lever	1		
E194	1223957	Bush—Pivot lever	2		
E195	1223958	PIVOT BRACKET	1		
E196	1223962	Bush—Pivot bracket	2		
E197	9067034	Washer, $\frac{1}{8}$ " plain—Pivot pin to pivot bracket	1		
E198	1223963	Draught excluder	1		
E199	1223964	Retainer—Draught excluder	1		
	1224457 s/d by 1235331	Selector gate	1		
E200	1235331	Selector gate	1	From B94103317	
	39303080 s/d by 39313081	Screw, No. 10 UNF. \times $\frac{1}{2}$ " pan hd.	2	Up to B94100000 BU, B94600000 CKD	
	9663123	Washer, No. 10 shakeproof	2		
	5220700	Nut, No. 10 UNF.	2		
	39303060 s/d by 39313061	Screw, No. 10 UNF. \times $\frac{3}{8}$ " pan hd.	1		
	9663123	Washer, No. 10 shakeproof ... } Selector gate to	1		
	39313081	Screw, No. 10 UNF. \times $\frac{1}{2}$ " pan hd. } pivot bracket	2		
	9663123	Washer, No. 10 shakeproof	3		
	5220700	Nut, No. 10 UNF.	2		
	39313061	Screw, No. 10 UNF. \times $\frac{3}{8}$ " pan hd.	1		
	39303080 s/d by 39313081	Screw, No. 10 UNF. \times $\frac{1}{2}$ " pan hd.	4		
	39313081	Screw, No. 10 UNF. \times $\frac{1}{2}$ " pan hd. } Pivot bracket	4		
	9663123	Washer, No. 10 shakeproof ... } to frame	4		
	9067010 s/d by 9096073	Washer, $\frac{1}{8}$ " plain	2		

GEARBOX (Automatic Transmission) UNIT SERIES IV ONLY

Plate Ref.	Part Number	DESCRIPTION	No. per Veh.	REMARKS
		GEARBOX (Gearshift) CONTROL—continued		
	1224228 s/d by 1228837	INDICATOR COVER	1	} Up to B94100000 BU, B94600000 CKD
	1228837 s/d by 1229412	INDICATOR COVER	1	
	1224230 s/d by 1229408	Gaiter—Hand lever	1	
E201	1229412	INDICATOR COVER	1	} From B94100001 BU, 94600001 CKD
E202	1229408	Gaiter—Hand lever	1	
E203	1224231	Ferrule—Hand lever	1	Up to B94100000 BU, B94600000 CKD
	9734083 s/d by 9774083	Screw, No. 10 UNF. bd. hd.	3	Up to B94100000 BU, B94600000 CKD
	9774083	Screw, No. 10 UNF. bd. hd.	3	From B94100001 BU, B94600001 CKD
	9067010 s/d by 9096073	Washer, $\frac{1}{8}$ " plain	3	} Indicator cover to gearbox cover
	9020124 s/d by 9020125	Spire nut	3	
	9020048	Spire nut	3	Up to B94100000 BU, B94600000 CKD
	P.101092	Ball joint	1	From B94600001 BU, B94600001 CKD
E204	1228853	Ball joint	1	Up to B94102077
E205	9520050	Locknut, $\frac{1}{8}$ " UNF.—Ball joint	1	From B94102078
E206	1223972	CONTROL ROD—REAR	1	Control rod
E207	9520050	Locknut, $\frac{1}{8}$ " UNF.—Rear rod	1	Gearbox (Gearshift)
E208	1223968	Adjuster	1	control
E209	9029132	Locknut, $\frac{1}{8}$ " UNF.—Front rod	1	
E210	1223969	CONTROL ROD AND EYE PLATE —Front	1	
E211	1216417	Bush—Eye plate	1	
E212	9067022	Washer, $\frac{1}{8}$ " plain—Control rod to gearbox lever	1	
E213	9664203	Washer, $\frac{1}{8}$ " shakeproof } Ball joint to	1	
E214	5220701	Nut, $\frac{1}{8}$ " UNF. ... } pivot lever	1	
		REAR ENGINE (Motor) MOUNTING		
B215	2226612	CROSSMEMBER—Rear Engine (Motor) Mounting	1	
	19805071 s/d by 19805072	Screw, $\frac{1}{8}$ " UNF. $\times \frac{1}{2}$ "	6	} Crossmember to frame
	9661201 s/d by 9661203	Washer, $\frac{1}{8}$ " spring	6	
	9067028	Washer, $\frac{1}{8}$ " plain	6	
B216	1217937	SUPPORT BRACKET—Gearbox (Transmission) Unit	1	
	19605091	Screw, $\frac{1}{8}$ " UNC. $\times 1\frac{1}{2}$ "	4	} Support bracket to extension housing
	9664203	Washer, $\frac{1}{8}$ " shakeproof	4	
B217	1206582	SUPPORT RUBBER	2	
	9664203	Washer, $\frac{1}{8}$ " shakeproof	4	} Support rubber to support bracket
	5220701	Nut, $\frac{1}{8}$ " UNF.	4	
	5220686	Bolt, $\frac{3}{8}$ " UNF. $\times \frac{1}{2}$ "	2	} Support rubber to crossmember
	9067043	Washer, $\frac{1}{8}$ " plain	2	
	9664242	Washer, $\frac{1}{8}$ " shakeproof	2	

GEARBOX (Automatic Transmission) UNIT SERIES IV ONLY

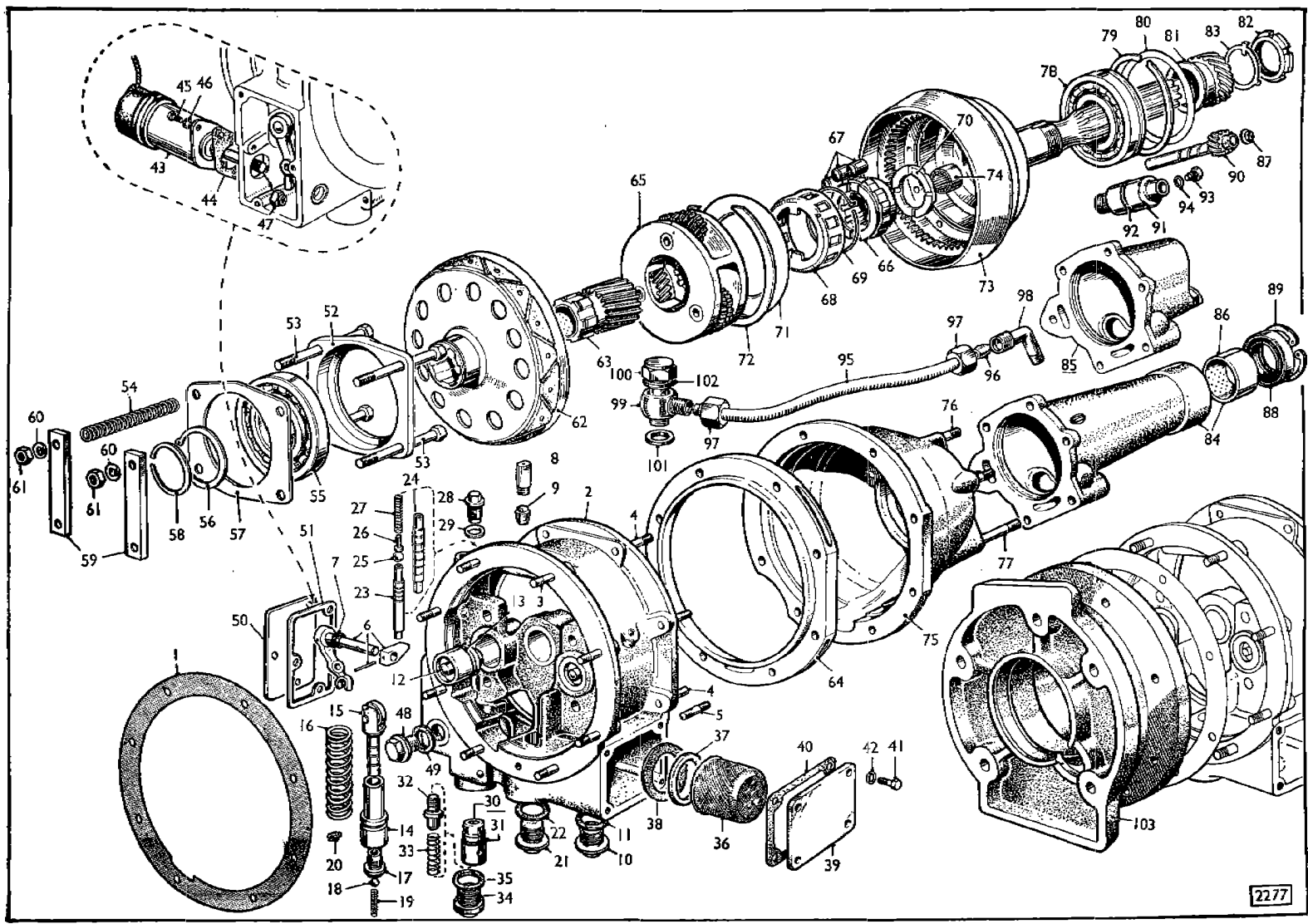
Plate Ref.	Part Number	DESCRIPTION	No. per Veh.	REMARKS
		GEARBOX (Transmission) UNIT REPAIR KITS		
	5040367	GASKET KIT	1	
	5039812	Gasket—Front pump	1	
	5039973	Gasket—Extension housing	1	
	5039958	Gasket—Sump (oil pan)	1	
	5040366	RUBBER RING AND OIL SEAL KIT	1	
	5039811	“O” Ring—Front pump inlet tube	1	
	9107128	“O” Ring—Front pump body	1	
	9107061	“O” Ring—Front clutch cylinder	1	
	5040370	“O” Ring—Rear clutch drum	1	
	9107084	“O” Ring (large) } Front	1	
	9107148	“O” Ring (small) } servo	1	
	9107092	“O” Ring—Rear servo piston	1	
	9107024	“O” Ring—Parking brake toggle pin	1	
	9122276	Sealing ring—Front clutch piston	1	
	9122277	Sealing ring—Rear clutch piston	1	
	9122275	Sealing ring—Front servo sleeve	1	
	9102074	Oil seal—Extension housing	1	
	5040362	Oil seal—Manual control shaft	2	
	9102114	Oil seal—Front pump body	1	
	5040369	THRUST WASHER KIT	1	
	5039823	Thrust washer, .061" thick } Front pump	1	} Selective
	5039820	Thrust washer, .078" thick } input shaft	1	
	5039832	Thrust washer (Steel) } Front and	1	
	5039833	Thrust washer (Bronze) } rear clutch	1	
	5039821	Thrust washer—Front clutch hub	1	
	5039836	Needle thrust washer } Sun	2	
	5039837	Plate—Thrust washer } wheel	1	
	5040365	Needle thrust washer } Planet carrier	1	
	5039838	Plate—Thrust washer } to rear pump	1	
	5039852	Thrust washer—Rear pump drive shaft	1	
	5040368	OIL RING KIT	1	
	5039831	Oil ring—Rear clutch drum	3	
	5039835	Oil ring—Front } Sun wheel	2	
	5039973	Oil ring—Rear } shaft	1	
	5039969	Oil ring—Rear pump drive shaft	3	
	5040379	s/d by 5044124 VALVE BLOCK SPRING KIT	1	
	5039896	Spring—Primary regulator valve	1	
	5039898	Spring—Secondary regulator valve	1	
	5039903	Spring—Throttle and downshift valves	1	
	5039906	Return spring—Throttle valve	1	
	5039909	Spring—Control valve	1	
	5039925	Spring—Modulator valve	1	
	5039932	Spring—Rear pump check valve	1	
	5039933	Spring—Convertor out check	1	
	5039919	Spring—1st and 2nd shift valve	1	
	5039915	Spring—2nd and 3rd shift valve	1	
		TRANSMISSION CASE		
		Salvage plug kit		Not supplied

Publication No. 6600992

SECTION J

OVERDRIVE (Transmission) UNIT

OVERDRIVE (Transmission) UNIT



SECTION J

OVERDRIVE UNIT

Plate Ref.	Part Number	DESCRIPTION	No. per Veh.	REMARKS
	1200440	OVERDRIVE UNIT Series I up to B9001729	1	Superseded by 1214331
	1205031	OVERDRIVE UNIT Series I from B9001730 up to B9005037	1	
	1207505	OVERDRIVE UNIT Series I from B9005038 up to Series II B9108238 HC, B9108302 H/C, M/E	1	
	1214331	OVERDRIVE UNIT Series II from B9108239 H/C, B9108303 H/C, M/E, up to intro. 1218080	1	
	1218080	OVERDRIVE UNIT	1	Superseded by 1223665
	1223665	OVERDRIVE UNIT Series II from B9119093 up to Series III	1	
	1218081	OVERDRIVE UNIT Series III up to B9200242	1	Superseded by 1223666
	1223666	OVERDRIVE UNIT From B9200243	1	
		Note. A replacement Overdrive Unit is available in part exchange for the original.		
1	K.25638	Gasket—Adaptor plate to Overdrive	1	
	5037045	MAIN CASING ASSEMBLY	1	Up to B9005037
	K.29445	MAIN CASING ASSEMBLY	1	From B9005038 up to B9108238 H/C, B9108302 H/C, M/E
	5039190	MAIN CASING ASSEMBLY	1	From B9108239 H/C, B9108303 H/C, M/E, up to B9119092 From B9119093
2	5041015	MAIN CASING ASSEMBLY	1	
3	29704092	Stud, 1/4" UNF. x 1 1/2"—Main case to adaptor	8	
4	29704122	Stud, 1/4" UNF. x 1 1/2" } Main case to	6	
5	29900011	Stud, 1/4" UNF. x 1 1/8" } intermediate case	2	
6	K.25616	Cam and lever assembly	1	
7	9107014	"O" ring	1	
8	K.24193	Breather	1	Up to Unit 25/3046/719
9	9803169	Plug taper, 1/4" BSP. } Main	1	From Unit 25/3046/720
10	K.26763	Drain plug ... } casing	1	
11	9077047	Washer—Drain plug	1	
12	K.25640	OPERATING PISTON	2	
13	9107041	Piston ring	2	Supplied in Sets of 2
14	K.25642	PUMP BODY	1	
15	K.25689	Plunger complete with cam roller	1	
16	K.24207	Spring—Plunger	1	
17	5037374	Non return valve body	1	
18	9187005	Ball, 3/8" dia. } Non-return valve	1	
19	5040149	Spring ... }	1	
	K.24185	Plunger ... }	1	From Unit 25/3314/25085
20	9059038	Retaining screw—Pump body	1	
	K.26764	Cover plug	1	Superseded by 5039588
21	5039588	Cover plug	1	
22	9077047	Washer—Cover plug	1	

OVERDRIVE UNIT

Plate Ref.	Part Number	DESCRIPTION	No. per Veh.	REMARKS
		OVERDRIVE UNIT—continued		
23	K.25615	OPERATING VALVE	1	Up to B9108238 H/C, B9108302 H/C, M/E
24	5039191	OPERATING VALVE	1	
25	9187008	Ball, $\frac{1}{8}$ " dia. }	1	Superseded by 5038417
26	K.24185	Plunger } Operating valve	1	
27	K.26060	Spring	1	
28	K.26772	Plug—Top	1	
29	K.24187	Copper Washer—Plug	1	
	5037069	RELIEF VALVE BODY	1	
	9107026	Rubber ring }	1	
	9187004	Ball, $\frac{1}{8}$ " dia. }	1	
	K.25863	Plunger } Relief valve	1	
	K.25864	Spring	1	
	K.26765	Plug	1	Up to B9001729
	9077047	Washer	1	
	5037935	RELIEF VALVE BODY	1	Superseded by 5038417
	K.24917	Rubber ring	1	
	9187008	Ball, $\frac{1}{8}$ " dia. }	1	From B9001730 up to Unit No. 25/3046/001401
	5037936	Plunger	1	
	5037937	Spring	1	
	5037973	Plug	1	
	K.26766	Washer	1	
30	5038418	*RELIEF VALVE BODY ... (Not supplied. Data 2B/91 & 92)		
31	K.24917	*Rubber ring }	1	
32		*Plunger } Relief valve } Not		
33		*Spring } } supplied		
34	5037973	*Plug	1	
35	K.26766	*Washer	1	
	5042632	RELIEF VALVE KIT	1	
	5038417	RELIEF VALVE KIT (Not supplied. See Data 2B/91 & 92)		
	5042631	RELIEF VALVE KIT	1	
	K.25617	FILTER	1	
	5037988	FILTER	1	Up to B9001729 From B9001730 up to Unit No. 25/3046/002159
36	5038860	FILTER	1	
	5038504	Magnet }	1	From Unit No. 25/3046/002160 Superseded by 5039665
37	5039665	Magnet } Filter	1	
38	K.25902	Sealing washer }	1	From Unit No. 25/3046/002160
39	K.25618	Cover	1	
40	K.25619	Gasket	1	
41	5220695	Screw, $\frac{1}{4}$ " UNF. \times $\frac{1}{4}$ " } Cover to Maincase	4	
42	9664162	Washer, $\frac{1}{4}$ " shakeproof }	4	

OVERDRIVE UNIT

Plate Ref.	Part Number	DESCRIPTION	No. per Veh.	REMARKS
		OVERDRIVE UNIT—continued		
43		SOLENOID SWITCH		See Electrical section
44	5040413	Joint—Solenoid Switch	1	
45	19503041	Screw, No. 10 UNF. × ½"	2	
46	9663122	Washer, ⅝" shakeproof	2	
	P.43666	s/d by 9552044		
47	9552044	Nut, ¼" UNF. } Solenoid to	1	Series I and II
48	K.26773	s/d by 5042937		Series III onwards
49	9078035	Plug ... } Solenoid and valve	1	
50	5037064	Washer } lever adjustment	1	
51	5038872	Cover plate—Valve lever	1	
	19503041	Gasket	1	
	9663122	Screw, No. 10 UNF. × ½" } Cover plate to	3	
	K.25621	s/d by 9663123		
	K.25622	Washer, ⅝" shakeproof } main casing	3	
52	K.25621	BEARING HOUSING	1	
	K.25622	s/d by 5039057		
53	5039057	Bolt, ¼" UNF. }	4	Series I and II
54	K.25623	Bolt, ¼" UNF. }	4	Series III onwards
55	9188075	Spring	1	Set of 4
56	9205025	Bearing	1	
57	K.25867	Spring ring ... } Clutch	1	
58	K.25625	Retainer plate } release	1	
59	K.25626	Snap ring	1	
60	K.24221	Bridge plate	2	
61	9520043	Tab washer	4	
62	5037400	Nut, ¼" UNF. }	4	
63	5037080	CLUTCH CONE—Complete with Linings	1	
	5039666	SUN WHEEL (Bushed)	1	
64	5037401	Thrust bearing—Sun wheel	1	No longer available
	5037402	Brake ring	1	
65	5041013	s/d by 5041013		
	9196000	PLANET CARRIER—c/w Planet Wheels and Bearings	1	Series I & II up to 5041013
	5037403	PLANET CARRIER—c/w Planet Wheels and Bearings	1	Series II from B9119093 and Series III onwards
66	5037403	Bearing (Needle roller)	6	
67	K.24237	FREE WHEEL—Ratchet Wheel	1	
68	K.24238	Roller, ⅜" × ½" }	1	Set of 12
69	K.25847	Cage ... } Free	1	
70	K.24240	Spring ring—Case } wheel	1	
71	9076070	Thrust washer	1	
72	5037420	Retaining washer } Free wheel	1	
73	5037415	Spring ring ... } to annulus	1	
74	9196003	ANNULUS—c/w Free Wheel Outer Race	1	
	5037416	Bearing needle roller	1	
75	5041012	INTERMEDIATE CASE—c/w Studs	1	Up to B9119092
76	29704092	INTERMEDIATE CASE—c/w Studs	1	From B9119093
	29704162	Stud, ¼" UNF. × 1½" } Intermediate case	3	
	29704182	Stud, ¼" UNF. × 2" } to ...	1	
77	29704182	Stud, ¼" UNF. × 2½" } rear cover	2	
	9660161	s/d by 9660163		
	9510040	Washer, ¼" spring } Intermediate case to	14	
		Nut, ¼" UNF. } main casing and rear cover	14	

OVERDRIVE UNIT

Plate Ref.	Part Number	DESCRIPTION	No. per Veh.	REMARKS
		OVERDRIVE UNIT—continued		
78	9197031	Bearing—Rear	1	
79	K.25631	Snap ring	1	
80	9071098	Shim, .002" } Rear Shim, .005" } bearing Shim, .008" }	A/R	
	9071099		A/R	
	9071100		A/R	
	5037404	SPEEDOMETER DRIVING GEAR (4 Teeth)	1	Series I and II
81	K.25632	SPEEDOMETER DRIVING GEAR (5 Teeth)	1	Series III onwards
82	K.25633	Locknut } Gear	1	
83	K.25634	Tab washer } annulus	1	
84	5031068	REAR COVER (Bushed)	1	Up to B9005037
	5038319	REAR COVER (Bushed)	1	From B9005038 up to B9119092
85	5041014	REAR COVER (Bushed)	1	From B9119093
86		Bush		Not supplied
87	K.25635	Thrust button	1	
	9102070	Oil seal } Oil seal } Rear } end	1	Up to B9005037
	9102069		1	From B9005038 Up to B9119092
88	9102070	Oil seal }	1	From B9119093
89	9204028	Circlip	1	
	5037405	SPEEDOMETER PINION (Gear) (15 Teeth)	1	Series I and II
90	5031066	SPEEDOMETER PINION (Gear) (12 Teeth)	1	Series III onwards
91	5037406	Bearing	1	Up to B9119092
	5041109	Bearing	1	From B9119093 up to Series III
	5031113	Bearing } Speedometer } pinion	1	Series III onwards Not supplied separately
		Oil seal		
92	9107057	Rubber ring	1	
93	K.24242	Lock screw	1	
94	9077011	Washer, 1/8" (copper)	1	
	P.48794	BALANCE PIPE KIT	1	
95	K.29236	Balance pipe	1	
96	9157108	Olive	2	
97	9156065	Nut	2	Series I from B9005038 and Series II up to B9119092
98	9154021	Elbow union	1	
99	9159004	Banjo union } Balance pipe	1	
100	9159520	Banjo bolt	1	
101	9078027	Fibre washer	1	
102	9078030	Fibre washer	1	
103	P.108941	ADAPTOR PLATE	1	
	1208260	ADAPTOR PLATE } Overdrive to	1	
	1216798	ADAPTOR PLATE } Gearbox	1	Up to intro. 1235733
	1235733	ADAPTOR PLATE }	1	From B39500001 B.U. B395900001 C.K.D. See Overdrive Unit
	9661161	Gasket	1	
	9510040	Washer, 1/4" spring } Adaptor plate to Overdrive Unit Nut, 1/4" UNF.	8	
			8	

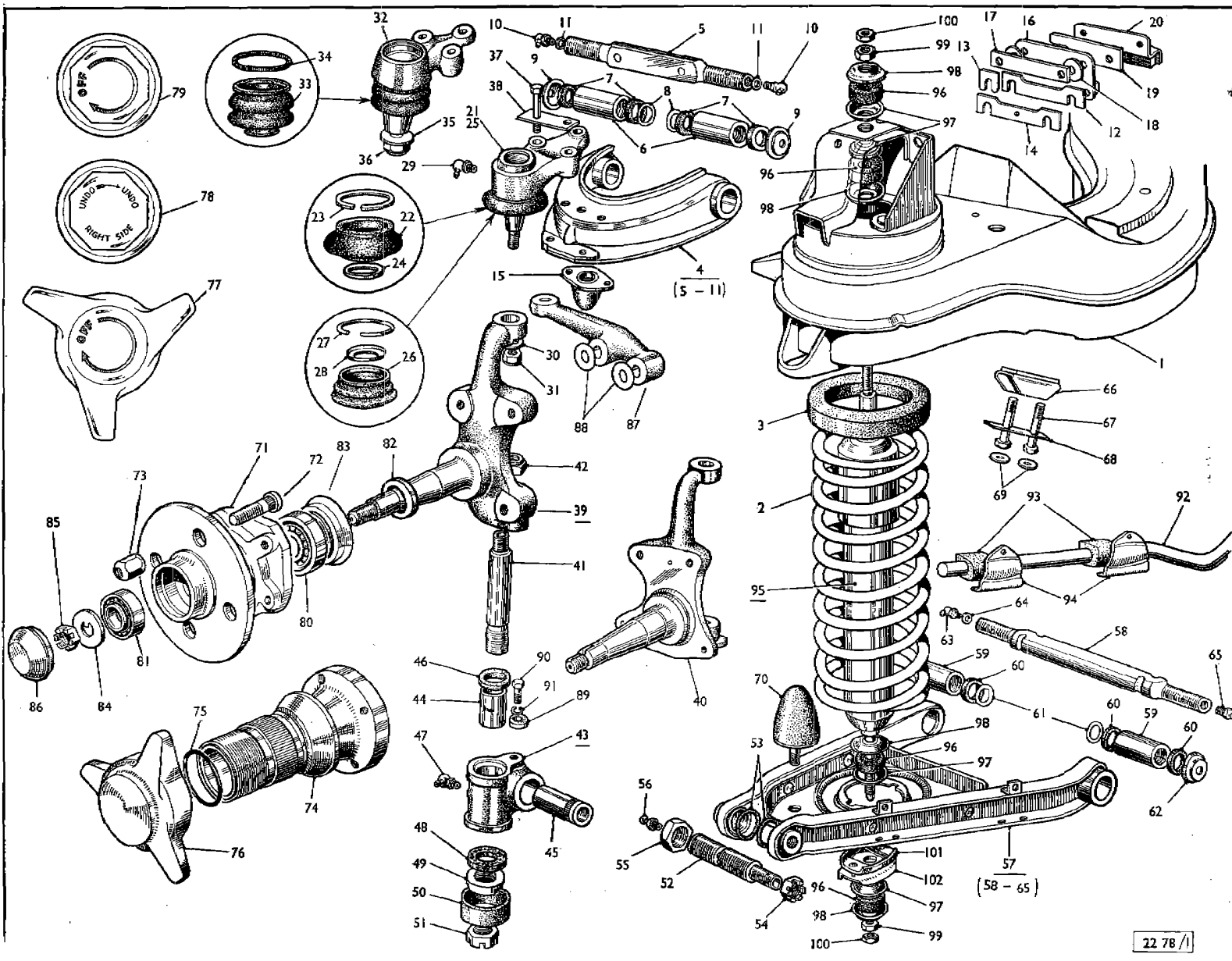
Publication No. 6600992

SECTION M

SUSPENSION — FRONT Series I, II and III

Lit. 023

SUSPENSION — FRONT — Series I, II and III



SECTION M

Lit. 023

SUSPENSION — FRONT — Series I, II and III

Plate Ref.	Part Number	DESCRIPTION	No. per Veh.	REMARKS
		FRONT SUSPENSION		
1	1201252 s/d by 1219407	FRONT SUSPENSION CROSSMEMBER	1	
	1206196 s/d by 1219407	FRONT SUSPENSION CROSSMEMBER	1	
	1206299 s/d by 1219407	FRONT SUSPENSION CROSSMEMBER	1	
	1214295 s/d by 1219407	FRONT SUSPENSION CROSSMEMBER	1	
	1206378 s/d by 1219407	FRONT SUSPENSION CROSSMEMBER	1	
	1206377 s/d by 1219407	FRONT SUSPENSION CROSSMEMBER	1	
	1219407	FRONT SUSPENSION CROSSMEMBER	1	
	9003218	Bolt	4	
	9664322 s/d by 9664323	Washer, ½" shakeproof	4	
	9067057	Washer, ½" plain	4	
		Front suspension crossmember to frame		
	9003286	Bolt, ½" UNF. × 3¼" Wedglok	4	
	9067512	Washer, ½" plain	4	
	1206271 s/d by 1224603	Taper wedge	2	
	1224603	Taper wedge	2	
	9003223	Bolt, ½" UNF. × 3¼"	4	
	9664322 s/d by 9664323	Washer, ½" shakeproof	4	
	9067059	Washer, ½" plain	4	
	1201465	COIL SPRING	2	
	1206213	COIL SPRING	2	
2	1201465	COIL SPRING	2	
3	P.108521	Insulator—Coil spring	2	
4	P.108150	UPPER LINK AND FULCRUM PIN	2	
	P.48612	Fulcrum pin kit	2	
5		†Fulcrum pin	2	Includes items marked † Not supplied separately See P.48612
6		†Bush	4	
7	9122106	†Seal	8	
8	9071027	†Collar } Fulcrum pin	4	
9	P.108539	†Cap	4	
10	9217016	Greaser, ¼" UNF.	4	
11	9078008	Washer, ½" fibre—Greaser	4	
12	P.83576	Shim, long	A/R	
13	P.109696	Shim, small } Upper fulcrum pin to crossmember	A/R	
14	1214491	Shim	A/R	
	19107143	Bolt, ⅝" UNF. × 1½"	4	From B9107235 Alternatives
	19107163	Bolt, ⅝" UNF. × 2"	4	
	9664282	Washer, ⅝" shakeproof	4	
15	P.110221	REBOUND RUBBER—UPPER LINK	2	
	5220690	Bolt, ½" UNF. × ½"	4	
	9664162 s/d by 9664163	Washer, ½" shakeproof	4	
	9510040	Nut, ½" UNF.	4	
16	1201440	TOP BRACKET, O/S (R.H.)	1	
	1201441	TOP BRACKET, N/S (L.H.)	1	
	19506113	Screw, ⅝" UNF. × 1½"	4	
	19506113	Screw, ⅝" UNF. × 1½"	2	
	19506143	Screw, ⅝" UNF. × 1½"	2	
17	9090038	Lock plate	2	
18	9067256	Washer, ⅝" plain	4	
19	P.116808 s/d by P.116809	Shim, .128" thick	A/R	
	P.116809	Shim, .064" thick	A/R	
	P.116810	Shim, .020" thick	A/R	
20	P.113548	TIE BRACKET, O/S (R.H.)	1	
	P.113549	TIE BRACKET, N/S (L.H.)	1	
	19106203	Bolt, ⅝" UNF. × 2½"	4	
	9664242	Washer, ⅝" shakeproof	8	

SUSPENSION — FRONT — Series I, II and III

Plate Ref.	Part Number	DESCRIPTION	No. per Veh.	REMARKS
		FRONT SUSPENSION—continued		
21	P.109665	* SWIVEL BEARING—TOP	2	} Series I
22	K.25592	Boot	2	
23	K.25594	Clip ... } Swivel bearing	2	
24	K.25593	Washer	2	
25	P.109665	* SWIVEL BEARING—TOP	2	
26	K.25595 s/d by 5037603	Boot	2	
27	K.25596	Clip	2	
28	K.25597	Washer—Dished	2	
29	9217014	Greaser—Swivel bearing	2	
30	9067056	Washer, 1/2" plain	2	
31	9552083 s/d by 9573083	Nut	2	
32	1207563 s/d by 1223762	* SWIVEL BEARING—TOP	2	} Series II and III
33	5038320 s/d by 5043065	Boot	2	
	5038321 s/d by 5039657	Clip	2	
34	5039657	Garter spring ... } Swivel bearing	2	
35	9067056	Washer, 1/2" plain	2	
36	9552083 s/d by 9573083	Nut, 1/2" UNF. Nyloc	2	
		*Note. It is important that the correct boot and fixings are ordered, check illustration.		
37	19106163	Bolt, 3/8" UNF. x 2"	4	} Series I and II
38	9090031	Lock plate	4	
	9510063	Nut, 3/8" UNF. ... } Swivel bearing	4	
	9003064	Bolt, 3/8" UNF. x 7/8" ... } to upper link	2	
	9664242	Washer, 3/8" shakeproof	4	
	9510063	Nut, 3/8" UNF.	2	
	1201228 s/d by 5220512	AXLE CARRIER, O/S (R.H.)	1	
39	5220512	AXLE CARRIER, O/S (R.H.)	1	
	1201229 s/d by 5220513	AXLE CARRIER, N/S (L.H.) } c/w Swivel pin	1	
	5220513	AXLE CARRIER, N/S (L.H.) } and circlip	1	
40	5220677	AXLE CARRIER, O/S (R.H.)	1	
	5220678	AXLE CARRIER, N/S (L.H.)	1	
41		Swivel pin	2	} Series III
42	9520093	†Nut, 3/8" UNF. } Swivel	2	
	P.108331	Circlip ... } pin	2	} For service only
	1201538	Distance piece—Hub bearing	2	
	P.48890	SWIVEL PIN KIT	2	} Includes items marked †
43	1200154	TRUNNION, O/S (R.H.)	1	
	1200155	TRUNNION, N/S (L.H.)	1	
44	P.86489	†Bush—Swivel pin	2	} Trunnion
45	P.108341	Bush—Eyebolt	2	
46	9122118	†Sealing ring	2	} Trunnion to swivel
47	9217013	Greaser	2	
	9079030 s/d by 5220593	Thrust Washer	2	} Trunnion to swivel
48	5220593	†Thrust washer	2	
49	P.116565	†Thrust nut	2	} Trunnion to swivel pin
	P.111870 s/d by 1202029	Seal	2	
50	1202029	†Seal	2	} Trunnion to
51	9032032	Nut, 1/2" UNF., slotted	2	
52	P.108345	Eyebolt	2	} lower link
53	9122121	Seal	4	
54	9540080	Nut, 1/2" UNF., slotted	2	} lower link
55	9029036	Locknut, 1/8" Whit.	2	
56	9217013	Greaser—Eyebolt	2	

SUSPENSION — FRONT — Series I, II and III

Plate Ref.	Part Number	DESCRIPTION	No. per Veh.	REMARKS
		FRONT SUSPENSION—continued		
57	P.112108	LOWER LINK c/w Fulcrum Pin, O/S (R.H.)	1	Superseded by 1214432
	1214432	LOWER LINK c/w Fulcrum Pin, O/S (R.H.)	1	
	P.112109	LOWER LINK c/w Fulcrum Pin, N/S (L.H.)	1	Superseded by 1214433
	1214433	LOWER LINK c/w Fulcrum Pin, N/S (L.H.)	1	
	P.48610	Fulcrum pin kit	2	Includes items marked † Not supplied separately Sec P.48610
58		†Fulcrum pin	2	
59		†Bush	4	
60	9122106	†Seal	8	
61	9071032	†Collar	4	Fulcrum pin kit
62	P.108539	†Cap	4	
63	9217016	Greaser—Front	2	
64	9078008	Washer, 1/2" fibre } Lower fulcrum pin	2	
65	9217013	Greaser—Rear	2	Lower fulcrum pin
66	P.108681	Clamp	4	
67	9003072	Bolt, 3/8" UNF. x 2"	8	
68	9090030	Lock plate	4	
69	9660241	Washer	8	Superseded by 9660241 See data 2C/73
70	P.108548	BUMP RUBBER—Lower Link	2	
	9664242	Washer, 3/8" shakeproof } Bump	2	Bump rubber
	5220703	Nut, 3/8" UNF.	2	
		BRAKES—SEE BRAKES SECTION.		
	1201259	HUB c/w Road Wheel Bolts	2	Superseded by 1218267
71	1205464	HUB c/w Road Wheel Bolts	2	
	1218267	HUB c/w Road Wheel Bolts	2	
	1201262	Bolt—Road wheel	8	Series I and II Series III Series II and II up to B9101219 Series II from B9101220 up to B9104496 Series II from B9104497 and Series III Superseded by 1201624
72	1214407	Bolt—Road wheel	8	
	1108015	Nut—Road wheel	8	
	1207582	Nut—Road wheel	8	
73	1108015	Nut—Road wheel	8	Series II from B9101220 up to B9104496 Series II from B9104497 and Series III Superseded by 1201624
	1201401	HUB, O/S (R.H.)	1	
74	1201624	HUB, O/S (R.H.)	1	Superseded by 1201625
	1201402	HUB, N/S (L.H.)	1	
	1201625	HUB, N/S (L.H.)	1	
	9107088	"O" ring—Hubs	2	
75	1201405	Locknut, O/S (R.H.)	1	Plain
76	1201406	Locknut, N/S (L.H.)	1	
		"Ear" type } "Knock-on" wheels	1	Stamped "OFF"
77	1206134	Locknut, O/S (R.H.)	1	
	1206135	Locknut, N/S (L.H.)	1	
78	1206004	Locknut, O/S (R.H.)	1	Stamped "UNDO"
	1206005	Locknut, N/S (L.H.)	1	
		"Octagonal" type	1	Stamped "OFF"
79	1206136	Locknut, O/S (R.H.)	1	
	1206137	Locknut, N/S (L.H.)	1	
		Note. When ordering check with illustrations.		
80	9192125	Inner bearing } Hub	2	Superseded by 9102129 Series I and II Series III
81	9192000	Outer bearing	2	
82	1201538	Distance piece—Inner bearing	2	
	1201590	Oil seal } Inner bearing	2	
	1206002	Oil seal } bearing	2	Superseded by 9102129 Series I and II Series III
	9102129	Oil seal } Inner bearing	2	
83	P.49376	Oil seal } bearing	2	

SUSPENSION — FRONT — Series I, II and III

Plate Ref.	Part Number	DESCRIPTION	No. per Veh.	REMARKS
		FRONT SUSPENSION—continued		
84	9071121	Shim ...	4	Up to B9101071
	P.116252	Lock washer ...	2	
85	9540100	Nut, 5/8" UNF., slotted	2	Hub to carrier
	1115138	Hub cap } Standard ...	2	
86	1206169	Hub cap } road wheels ...	2	Up to B9008451
	1201434	STEERING ARM, O/S (R.H.)	1	From B9008452
	1201690	STEERING ARM, O/S (R.H.)	1	Superseded by 1201690
	1201435	STEERING ARM, N/S (L.H.)	1	Series I and II
	1201691	STEERING ARM, N/S (L.H.)	1	Superseded by 1201691
87	1206258	STEERING ARM, O/S (R.H.)	1	Series I and II
	1206259	STEERING ARM, N/S (L.H.)	1	Series III
	19107213	Bolt, 7/16" UNF. x 2 3/8"	2	
	19107133	Bolt, 7/16" UNF. x 1 3/8"	2	Series I and II
88	9664282	Washer, 7/16" shakeproof	4	
	1201204	Shim, .005" thick	A/R	Steering arm to carrier
	1201205	Shim, .010" thick	A/R	
	1201206	Shim, .020" thick	A/R	Up to B9001510
	9067500	Packing washer	4	
	19107143	Bolt, 7/16" UNF. x 1 3/8"	2	Series III
	9664282	Washer, 7/16" shakeproof	2	
	19107153	Bolt, 7/16" UNF. x 1 3/8"	2	Steering arm and caliper to carrier
	9664282	Washer, 7/16" shakeproof	2	
89	1200116	Eccentric washer—Steering stop	2	Eccentric washer
90	9003064	Bolt, 3/8" UNF. x 1/2"	2	
91	9660241	Washer, 3/8" spring	2	STABILIZER BAR
	1201492	STABILIZER BAR	1	
92	1210473	STABILIZER BAR	1	Series I and II
	P.109221	Bush } Stabilizer	4	Series II Le-Mans and all Series III Models
93	1210242	Bush } bar	4	Series I and II
	P.108834	Clip—Bush	4	Series II Le-Mans and all Series III Models
	19505061	Bolt, 5/16" UNF. x 3/4"	4	Clip to lower link
	9660201	Washer, 5/16" spring	4	
95	5220701	Nut, 5/16" UNF.	4	SHOCK ABSORBER
	1201266	Rubber washer	8	
	K.25675	Rubber washer	8	Superseded by 5038875
	9122056	Rubber washer	8	
96	5038875	Rubber washer	8	Superseded by 5038876
97	K.25676	Mounting washer—Inner	8	
	K.25677	Retaining washer	8	Superseded by 5038876
	5038876	Mounting washer—Outer	8	
98	5220703	Nut, 3/8" UNF.	4	Nut, 3/8" UNF.
99	9520060	Locknut, 3/8" UNF.	4	
100		Note. A replacement Shock Absorber is available in part exchange for the original.		
101	P.109431	Mounting plate } Shock	2	Superseded by 9571043
102	P.107526	Plate—Lower } absorber	2	
	9551043	Nut, 1/2" UNF. Nyloc	4	Up to B9115000
	9571043	Nut, 1/2" UNF. Nyloc } plate	4	

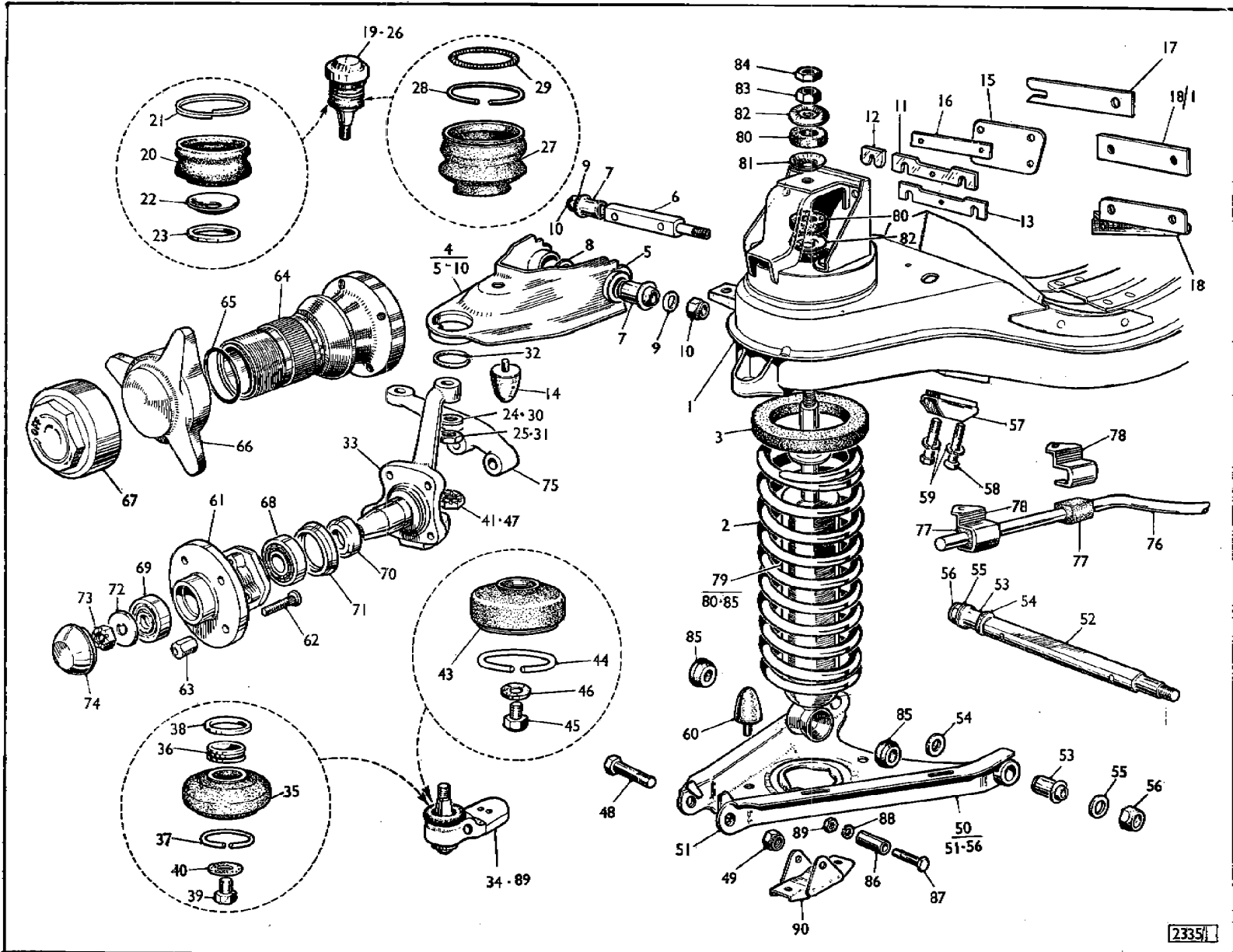
Publication No. 6600992

SECTION MA

SUSPENSION — FRONT **From Series IV**

3rd Issue

SUSPENSION — FRONT — Series IV



23351

SECTION MA

3rd Issue

SUSPENSION — FRONT — From Series IV

Plate Ref.	Part Number	DESCRIPTION	No. per Veh.	REMARKS
	1206377	FRONT SUSPENSION CROSSMEMBER	1	Up to B9403517 Std. Wheels
1	1219407	†FRONT SUSPENSION CROSSMEMBER	1	B9403767 Knock-on Wheels From B9403518 Std. Wheels B9403768 W/W; See Note †
	9003223	Bolt, 1/4" UNF. × 3 1/2" } Front suspension Washer, 1/2" shakeproof } crossmember Washer, 1/2" plain } to frame	4	
	9664322		4	
	9067509		4	
	1224603		Taper wedge	1
2	1206763	COIL SPRING	2	
3	P.108521	Insulator } Coil Insulator } spring	2	Up to B94103462 Std. and GT and B9473386 "260" From B395000239 Std. and GT and B382000542 "260"
	P.108521		2	
4	5220770	UPPER LINK c/w Fulcrum Pin and Bushes	2	
5		Upper link (Not supplied separately)		
6	1224225	Fulcrum pin } Upper	2	
7	5220478	Bush } link	4	
8	1205949	Washer, Special (Inner)	4	
9	9067426	Washer, 1/2" plain (Outer)	4	
10	9571083	Nut, 1/2" UNF. (Nyloc)	4	} Alternatives
	9553083	Nut, 1/2" UNF. (Philidas type)	4	
11	P.83576	Shim, long, .064"	A/R	
12	P.109696	Shim, short, .015"	A/R	
13	1214491	Shim, .104"	A/R	
	19107143	Bolt, 3/8" UNF. × 1 1/2"	4	} Alternatives
	19107163	Bolt, 3/8" UNF. × 2"	4	
	19107153	Bolt, 3/8" UNF. × 1 1/2"	4	
	9664282	Washer, 3/8" shakeproof	4	
14	1214933	REBOUND RUBBER	2	} Up to B9403517 Std. Wheels B9403767 W/W
	9664242	Washer, 3/8" shakeproof	2	
	5220703	Nut, 3/8" UNF.	2	
15	1201440	TOP BRACKET, O/S (R.H.)	1	
	1201441	TOP BRACKET, N/S (L.H.)	1	
	19506113	Screw, 3/8" UNF. × 1 1/2"	2	
	19506143	Screw, 3/8" UNF. × 1 1/2"	2	
16	9090038	Lock plate	2	
	9067256	Washer, 3/8" plain	4	} Up to B9403517 Std. Wheels B9403767 W/W
17	P.116809	Shim, .064" thick	A/R	
	P.116810	Shim, .020" thick	A/R	
18	P.113548	TIE BRACKET, O/S (R.H.)	1	
	P.113549	TIE BRACKET, N/S (L.H.)	1	
	19106203	Bolt, 3/8" UNF. × 2 1/2"	4	
	9664242	Washer, 3/8" shakeproof	4	
18/1	1215427	†ATTACHMENT BRACKET	2	} From B9403518 Std. Wheels B9403768 W/W
	19107143	†Bolt, 3/8" UNF. × 1 1/2"	4	
	9664282	†Washer, 3/8" shakeproof	4	
		Note. Items † also fitted to B9403245, 6, 7, 8, B9403271, B9403273		
19	5220424	*SWIVEL BEARING—Top	2	
20	5038863	Boot	2	
21	5040876	Spring clip	2	
22	5038865	Retainer	2	
23	9067453	Washer	2	
24	9067056	Washer, 1/2" plain	2	
25	9552083	Nut, 1/2" UNF. Nyloc	2	
		*Note. It is important that the correct boot and fixings are ordered, check illustrations.		

SUSPENSION — FRONT — From Series IV

Plate Ref.	Part Number	DESCRIPTION	No. per Veh.	REMARKS
26	5220424	*SWIVEL BEARING—Top	2	
	5038320	Boot	2	Up to B9405005
27	5043065	Boot	2	From B9405006
28	5038321	Spring clip	2	Superseded by 5039657
	5039657	Gaiter spring } Boot	2	Up to B9405005
29	5043367	Gaiter spring }	2	From B9405006
30	9067056	Washer, 1/2" plain } Swivel bearing	2	
31	9552083	Nut, 1/2" UNF. Nyloc } to axle carrier	2	
*Note. It is important that the correct Boot and fixings are ordered, check illustrations.				
32	1207793	Circlip—Swivel bearing to upper link	2	
33	1208472	AXLE CARRIER, O/S (R.H.)	1	} Up to B94103418
	1208473	AXLE CARRIER, N/S (L.H.)	1	
	1229650	AXLE CARRIER, O/S (R.H.)	1	} From B94103419
	1229651	AXLE CARRIER, N/S (L.H.)	1	
34	5220425	†SWIVEL BEARING—Lower	2	
35	5038867	Boot	2	} For use with Grooved Ball pin
36	5038866	Sleeve	2	
37	5038868	Spring clip } Boot	2	
38	9067457	Washer }	2	
	5042714	Boot	2	} For use with Non-Groove Ball pin
	5042715	Spring clip—Boot	2	
39	19504030	Plug	2	
40	9078072	Washer (Fibre)—Plug	2	
41	9540103	Nut, 3/8" UNF. slotted—Swivel bearing to axle carrier	2	
42	5220425	†SWIVEL BEARING—Lower	2	
	5038861	Boot	2	Up to B9405005
43	5043064	Boot	2	From B9405006
44	5038862	Spring clip	2	Superseded by 5039658
	5039658	Spring ring } Boot	2	Up to B9405005
	5043368	Spring ring }	2	From B9405006
45	9803051	Plug	2	
46	9078072	Washer (Fibre)—Plug	2	
47	9540103	Nut, 3/8" UNF., slotted—Swivel bearing to axle carrier	2	
†Note. It is important that the correct boot and fixings are ordered, check illustrations.				
48	9003222	Bolt, 1/2" UNF. x 3 3/8" } Swivel bearing	2	
49	9571083	Nut, 1/2" UNF. Nyloc } to lower link	2	
50	1214812	LOWER LINK, O/S (R.H.) } c/w Fulcrum pin	1	
	1214813	LOWER LINK, N/S (L.H.) } and bushes	1	
51		Lower link (Not supplied separately)		
52	1224224	Fulcrum pin } Lower	2	
53	5220479	Bush } link	4	
54	1205946	Washer, Special (Inner)	4	
55	9067062	Washer, 1/2" plain (Outer)	4	} Fulcrum pin
56	9571083	Nut, 1/2" UNF. (Nyloc)	4	
	9553083	Nut, 1/2" UNF. (Philidas type)	4	} Alternatives
57	P.108681	Clamp	4	
58	9003072	Bolt, 3/8" UNF. x 2" } Lower fulcrum pin	8	} Superseded by 9003246
	9003246	to front crossmember	8	
	9660241	Washer, 3/8" spring	8	
59	1207806	BUMP RUBBER—Lower Link	2	
	9664242	Washer, 3/8" shakeproof } Bump	2	
	5220703	Nut, 3/8" UNF. } rubber	2	
BRAKES—See Brake Section.				

SUSPENSION — FRONT — From Series IV

Plate Ref.	Part Number	DESCRIPTION	No. per Veh.	REMARKS	
61	1218267	HUB c/w Road Wheel Bolts	2	} Plain	
62	1214407	Bolt—Road wheel	8		
63	1108015	Nut—Road wheel	8		
64	1201624	HUB, O/S (R.H.)	1		
	1201625	HUB, N/S (L.H.)	1		
65	9107088	"O" ring—Hubs	1		
66	1201405	Locknut, O/S (R.H.) "Ear" type	1		
	1201406	Locknut, N/S (L.H.) type	1		
67	1206136	Locknut, O/S (R.H.) "Octagonal" type	1		} Stamped "OFF"
	1206137	Locknut, N/S (L.H.) type	1		
		Note. When ordering check with illustrations.			
68	9192125	Inner bearing	2	} Up to B94103418 From B94103419	
69	9192000	Outer bearing	2		
70	1201538	Distance piece	2		
	1229441	Distance piece	2		
71	P.49376	Oil seal	2		
72	P.116252	Lock washer	2		
73	9540100	Nut, 1/2" UNF. slotted	2		
74	1206169	Hub cap—Standard road wheels	2		
75	1206258	STEERING ARM, O/S (R.H.)	1		
	1206259	STEERING ARM, N/S (L.H.)	1		
	19107143	Bolt, 7/8" UNF. x 1 1/4"	2	} Steering arm to carrier	
	9664282	Washer, 7/8" shakeproof	2		
	19107153	Bolt, 7/8" UNF. x 1 1/4"	2		} Steering arm and caliper to carrier
	9664282	Washer, 7/8" shakeproof	2		
76	1210241	STABILIZER BAR	1		
77	1210242	Bush—Stabilizer bar	4		
78	1210243	Clip—Bush	4		
	19506071	Screw, 3/8" UNF. x 7/8"	4	} Clip to lower link	
	9067244	Washer, 3/8" plain	2		
	5200486	Washer, 3/8" spring	4		
	5220703	Nut, 3/8" UNF.	4		
79	5220811	SHOCK ABSORBER	2	} Up to intro. 5221220 From B395003873	
	5221220	SHOCK ABSORBER	2		
80	5038875	Rubber washer	4		
81	K.25676	Mounting washer—Inner	2		
82	5038876	Mounting washer—Outer	4		
83	5220703	Nut, 3/8" UNF.	2		
84	9520060	Locknut, 3/8" UNF.	2		
85	9123800	Mounting rubber—Lower eye	4		
		Note. A replacement Shock Absorber is available in part exchange for the original.			
86	9087157	Distance tube	2	} Shock absorber to mounting bracket	
87	5220688	Bolt, 3/8" UNF. x 1"	2		
88	9660241	Washer, 3/8" spring	2		
89	5220703	Nut, 3/8" UNF.	2		
90	1207591	Mounting bracket—Shock absorber	2		
	P.106446	Bolt, Special	4	} Mounting bracket to spring pan	
	9664242	Washer, 3/8" shakeproof	4		
	9510063	Nut, 3/8" UNF.	4		

SUSPENSION — FRONT — From Series IV

Plate Ref.	Part Number	DESCRIPTION	No. per Veh.	REMARKS

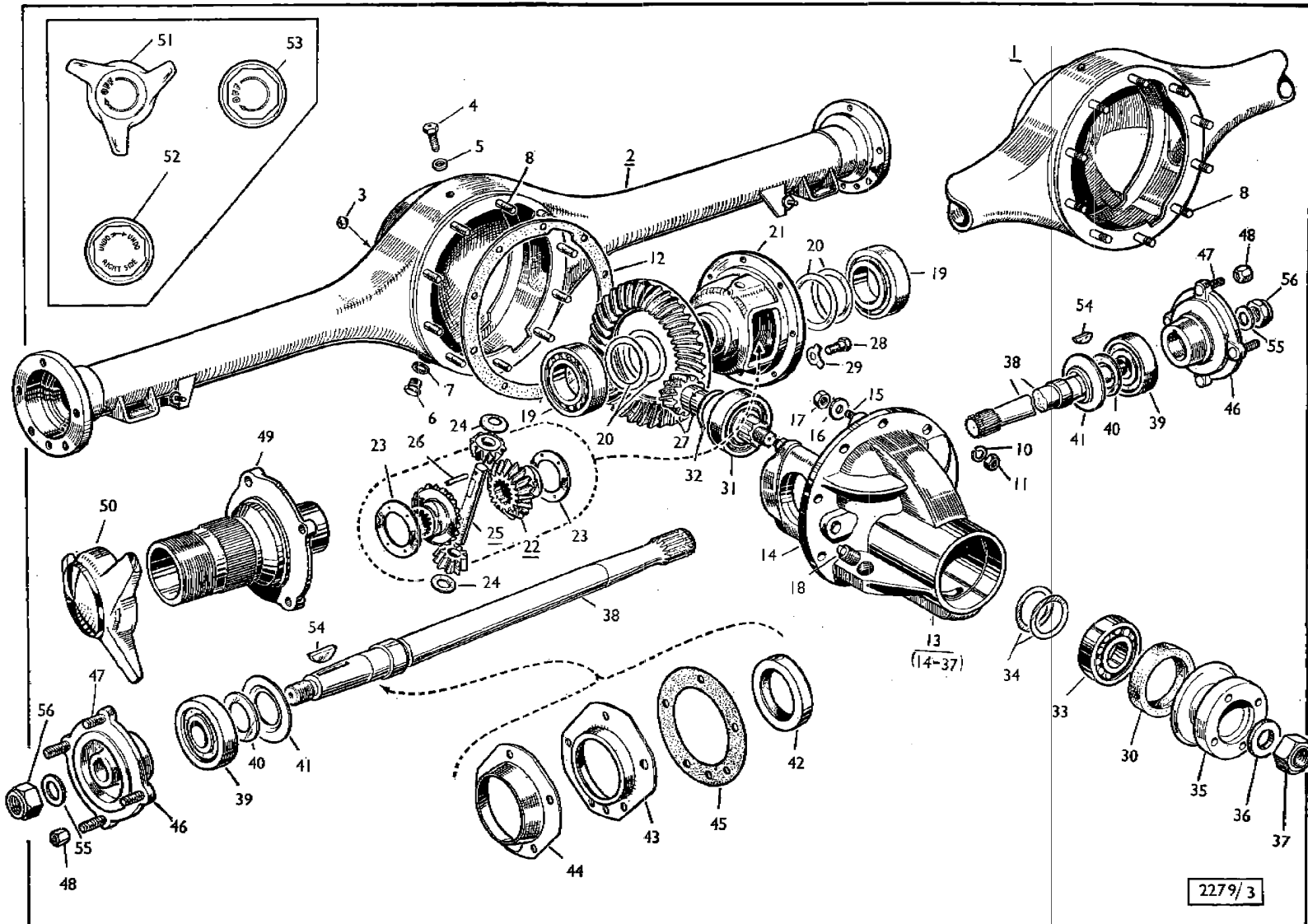
Publication No. 6600992

SECTION N

REAR AXLE and ROAD WHEELS

Lit. 023

REAR AXLE AND ROAD WHEELS



SECTION N

Lit. 023

REAR AXLE AND ROAD WHEELS

Plate Ref.	Part Number	DESCRIPTION	No. per Veh.	REMARKS
		REAR AXLE UNIT		Not supplied
1	1202246	Rear Axle casing	1	Series I
	1207471 s/d by 1214239	Rear Axle casing	1	See Data 2D/58
	1214239	Rear Axle casing	1	Series II
	1216908 s/d by 5220897	Rear Axle casing	1	
	1219611 s/d by 5220897	Rear Axle casing	1	
	1223513 s/d by 5220897	Rear Axle casing	1	See Data 2D/56
2	1224312 s/d by 5220897	Rear Axle casing	1	Series III and IV up to intro. 5220897
	5220897	Rear Axle casing	1	Series IV from B94101458 Wire wheels, B94101524 Std. wheels Std. Models. B9410183 O/D Models
3	5220960	Rear Axle casing	1	Series V
	1224359	Bearing—Steady bracket	1	Part of 5220897
	1202235	Breather screw, $\frac{5}{8}$ " UNF.	1	} Series I, II and III up to B9202741
	9078013	Fibre washer—Breather screw	1	
4	1202235	Breather screw, $\frac{5}{8}$ " UNF.	1	} Series IV from B94100001
5	9078013	Fibre washer—Breather screw	1	
6	9801043	Drain plug, $\frac{1}{2}$ " BSP.	1	
7	5220713	Washer—Drain plug	1	
8	29505102 s/d by 29900372	Stud, $\frac{5}{8}$ " UNF. \times $1\frac{1}{2}$ "	10	Series I
	29900372	Stud—Special	10	9 off when used with Breather 1218220
9	1218220	Breather	1	Series III from B9202742 & Series IV up to B94100000
10	1236382	Breather	1	Series V
	9660203	Washer, $\frac{5}{8}$ " spring	10	
11	5220701	Nut, $\frac{5}{8}$ " UNF. } Differential unit to casing	10	9 off when used with Breather 1218220
12	P.22341	Gasket	1	
	1200576	DIFFERENTIAL UNIT (3-889: 1 Ratio)	1	Series I & II up to 1210195
	1210195 s/d by 1239133	DIFFERENTIAL UNIT (3-889: 1 Ratio) See Data 2D/74	1	Series II from B9108431 R.H.D., B9108158 L.H.D., B9108282 L.H.D. W/W.
	1218989 s/d by 1239133	DIFFERENTIAL UNIT (3-889: 1 Ratio) See Data 2D/74	1	Series III & IV up to intro. 1210195 (except USA/Canada)
	1210195 s/d by 1239133	DIFFERENTIAL UNIT (3-889: 1 Ratio) See Data 2D/74	1	From B94103697 up to B395013607 (except USA/Canada)
	1218989 s/d by 1239133	DIFFERENTIAL UNIT (3-889: 1 Ratio) See Data 2D/74	1	USA/Canada Series III and IV up to intro. 1210144
	1210144 s/d by 1239134	DIFFERENTIAL UNIT (4-222: 1 Ratio) See Data 2D/74	1	USA/Canada from B94102641 up to B395010312
	1210195 s/d by 1239133	DIFFERENTIAL UNIT (3-889: 1 Ratio) See Data 2D/74	1	USA/Canada from B395010313 up to B395013607
	1238650	DIFFERENTIAL UNIT (3-889: 1 Ratio)	1	From B395013608 up to intro. 1239718
	1239718	DIFFERENTIAL UNIT (3-889: 1 Ratio)	1	Series V from B395017309 Std., B395017327 O/D.

REAR AXLE AND ROAD WHEELS

Plate Ref.	Part Number	DESCRIPTION	No. per Veh.	REMARKS
		REAR AXLE—continued		
	1200577	DIFFERENTIAL UNIT (4-222 : 1 Ratio)	1	Series I and II up to intro. 1210144
	1210144 s/d by 1239 ¹³⁴ 144	DIFFERENTIAL UNIT (4-222 : 1 Ratio) See Data 2D/74	1	
	1218990 s/d by 1239 ¹³⁴ 990	DIFFERENTIAL UNIT (4-222 : 1 Ratio) See Data 2D/74	1	Series II from B9108372 R.H.D., B9108397 L.H.D., B9108274 R.H.D. W/W, B9108232 L.H.D. W/W
	1218989 s/d by 1239133	DIFFERENTIAL UNIT (3-889 : 1 Ratio) See Data 2D/74	1	
13	1218990 s/d by 1239134	DIFFERENTIAL UNIT (4-222 : 1 Ratio) See Data 2D/74	1	Series III
	1238651	DIFFERENTIAL UNIT (4-222 : 1 Ratio) See Data 2D/74	1	
	1239719	DIFFERENTIAL UNIT (4-222 : 1 Ratio)	1	Series IV and V up to B395013607
	1218989 s/d by 1239133	DIFFERENTIAL UNIT (3-889 : 1 Ratio)	1	
	1218989 s/d by 1239133	DIFFERENTIAL UNIT (3-889 : 1 Ratio) See Data 2D/74	1	Series V from B395013608 up to intro. 1239719
	1210144 s/d by 1239134	DIFFERENTIAL UNIT (4-222 : 1 Ratio) See Data 2D/74	1	
14	5220111	Housing (carrier) c/w bearing caps	1	Series V from B395017309 Std., B395017327 O/D
	5221255	Housing (Carrier) c/w bearing caps	1	
15	29900268	Stud, $\frac{3}{8}$ " UNF. \times 3 $\frac{1}{2}$ "	4	Series IV only (except USA/Canada)
16	9067051 s/d by 9096079	Washer, $\frac{1}{8}$ " plain	4	
17	9510073	Nut, $\frac{3}{8}$ " UNF.	4	Series IV only USA/Canada up to intro. 1210144
18	9804040	Plug, $\frac{1}{2}$ " BSP.	1	
19	9192057	Bearing—Differential box (housing)	2	Series IV only USA/Canada from B94102641
	9071088	Shim, .003"	2	
20	9071089	Shim, .005"	2	Up to intro. of 5221255
	9071090	Shim, .010"	2	
	9071134	Shim, .020"	A/R	See Data 2D/72
	1215176	Abutment washer	1	
	1219400	Abutment washer	1	From B395013608
21	1200402	Differential box (housing)	1	
	5220112	Differential wheel and pinion set	1	Use with 5220639, 5220640, 5220820 up to intro. 1219400
22	5220524	Differential wheel and pinion set	1	
	P.55584 s/d by 5220887	Thrust washer	2	Up to intro. 5220524 From B9108431 R.H.D., B9108158 L.H.D., B9108282 L.H.D. W/W, B9108372 R.H.D. O/D, B9108397 L.H.D. O/D, B9108274 R.H.D. O/D W/W, B9108232 L.H.D. O/D W/W
	1207648 s/d by 5220887	Thrust washer	2	
23	5220887	Thrust washer	2	
	1203664	Thrust washer, .042"/.039"	A/R	
	1203665	Thrust washer, .047"/.044"	A/R	
	1203666	Thrust washer, .052"/.049"	A/R	
	1203667	Thrust washer, .057"/.054"	A/R	
	1203668	Thrust washer, .062"/.059"	A/R	

REAR AXLE AND ROAD WHEELS

Plate Ref.	Part Number	DESCRIPTION	No. per Veh.	REMARKS
		REAR AXLE UNIT—continued		
		DIFFERENTIAL UNIT—continued		
24	P.55582 s/d by 1207649	Thrust washer } Pinion	2	
	1207649	Thrust washer }	2	
25	1200403	Cross pin	1	
26	9146061	Lock pin—Cross pin	1	
	5220107 s/d by 5220639	CROWN WHEEL (Ring Gear) AND BEVEL PINION (3·889 : 1 Ratio)	1	See Data 2D/46
27	5220639	CROWN WHEEL (Ring Gear) AND BEVEL PINION (3·889 : 1 Ratio)	1	Except USA/Canada
	5220639	CROWN WHEEL (Ring Gear) AND BEVEL PINION (3·889 : 1 Ratio) } Standard	1	USA/Canada only up to B94102640
	5220640	CROWN WHEEL (Ring Gear) AND BEVEL PINION (4·222 : 1 Ratio) } Transmission without Overdrive	1	USA/Canada only from B94102641 up to B395010312
	5220639	CROWN WHEEL (Ring Gear) AND BEVEL PINION (3·889 : 1 Ratio)	1	USA/Canada only from B395010313
	5220108 s/d by 5220640	CROWN WHEEL (Ring Gear) AND BEVEL PINION (4·222 : 1 Ratio)	1	See Data 2D/48
	5220640	CROWN WHEEL (Ring Gear) AND BEVEL PINION (4·222 : 1 Ratio) } Standard Transmission	1	Series I and II
	5220639	CROWN WHEEL (Ring Gear) AND BEVEL PINION (3·889 : 1 Ratio) } with Overdrive	1	Series III
	5220640	CROWN WHEEL (Ring Gear) AND BEVEL PINION (4·222 : 1 Ratio)	1	From Series IV
	5220639	CROWN WHEEL (Ring Gear) AND BEVEL PINION (3·889 : 1 Ratio)—Automatic Transmission	1	Series IV except USA and Canada
	5220639	CROWN WHEEL (Ring Gear) AND BEVEL PINION (3·889 : 1 Ratio)—Automatic Transmission	1	Up to B94102640
	5220640	CROWN WHEEL (Ring Gear) AND BEVEL PINION (4·222 : 1 Ratio)—Automatic Transmission	1	From B94102641 } USA and Canada only
28	9003062 s/d by 9003197	Bolt, special	8	
	9003197	Bolt, special } Crown wheel (ring gear) to differential box (housing)	8	
	9067235 s/d by 1207927	Washer	8	Series I
29	1207927	Tab washer	8	From Series II
	9102089 s/d by 5220439	Oil seal	1	
	5220439	Oil seal } Bevel pinion	1	Up to intro. 5221256
	5221256	Oil seal }	1	From B395013608
31	9192029	Inner bearing	1	
	9071069 s/d by 9071147	Shim, ·003"	A/R	
	9071147	Shim, ·003"	A/R	
	9071070 s/d by 9071148	Shim, ·005"	A/R	
32	9071148	Shim, ·005" } Inner bearing	A/R	
	9071071 s/d by 9071149	Shim, ·010"	A/R	
	9071149	Shim, ·010"	A/R	
	9071133	Shim, ·020"	A/R	
	9192009	Outer bearing } Bevel	1	Up to intro. 9192134
	9192134	Outer bearing } pinion	1	From B395013608

REAR AXLE AND ROAD WHEELS

Plate Ref.	Part Number	DESCRIPTION	No. per Veh.	REMARKS
		REAR AXLE UNIT—continued		
		DIFFERENTIAL UNIT—continued		
34	9071049	Shim, .003" ...	A/R	
	9071050	Shim, .005" } Outer ...	A/R	
	9071051	Shim, .010" } bearing ...	A/R	
	9071132	Shim, .020" } ...	A/R	
	1200404	s/d by 1229719 DRIVER COUPLING (Companion Flange) ...	1	
	1206555	s/d by 1229719 DRIVER COUPLING (Companion Flange) ...	1	Series I and II
	1218180	s/d by 1229724 DRIVER COUPLING (Companion Flange) ...	1	Series III up to 1223531
	1223531	s/d by 1229719 DRIVER COUPLING (Companion Flange) ...	1	Series III from B9201982 Std. Wheel and B9201987 W/W and Series IV up to B94103696
	1229719	DRIVER COUPLING (Companion Flange) ...	1	From B94103697 up to intro. 1236702
	1236702	DRIVER COUPLING (Companion Flange) ...	1	From B395013608 up to re-intro. 1229719
35	1229719	DRIVER COUPLING (Companion Flange) ...	1	From B395017309 Std. B395017327 O/D Not supplied
36	9067300	s/d by 9082044 Dust thrower ...	1	
	9082044	Washer ...	1	
37	9034037	s/d by 9034035 Washer ...	1	
	9034035	Nut, Nyloc } Coupling driver to bevel pinion ...	1	
	P.48600	s/d by 5220305 Nut, Nyloc ...	1	
38	5220305	Axle shaft c/w sleeve ...	2	
	5220305	Axle shaft c/w sleeve ...	2	Up to 5220523
	5220523	Axle shaft c/w sleeve ...	2	From see Note below
		From B9108431 RHD, B9108158 LHD, B9108282 LHD, W/W, B9108372 RHD, O/D, B9108397 LHD, O/D, B9108274 RHD, O/D, W/W, B9108232 LHD, O/D, W/W up to Series V.		
39	5220957	Axle shaft c/w sleeve ...	1	From Series V
	9188096	Bearing } Axle ...	2	Up to Series V
	1801176	Bearing } shaft ...	2	From Series V
40	9107158	"O" Ring—Bearing ...	2	From Series V
	1200376	Splash guard } Inner ...	2	Up to Series V
41	1235746	Splash guard } Outer } Axle shaft bearing ...	2	From Series V
	P.108208	Sludge guard ...	2	Up to Series V
42	1235750	Oil seal ...	2	From Series V
	9102143	s/d by 9102145 Retainer—Oil seal ...	2	Up to Series V
43	1201858	Oil catcher ...	2	From Series V
	1201859	Oil catcher ...	2	Up to Series V
44	1235747	Gasket ...	6	From Series V
	1201860	s/d by 1229702 Gasket ...	6	Up to Series V
45	5220324	s/d by 1229702 Joint (.006")—Grey ...	2	From Series V
	1229702	Joint (.010") Brown) ...	2	From Series V
46	1229698	Bolt, 5/8" UNF. x 1" } Brake, oil seal and oil catcher to casing ...	6	
	19505081	Washer, 5/8" shakeproof ...	6	
47	9664203	Dowel bolt ...	4	
	1201870	Washer, 3/4" shakeproof ...	4	
48	9664242	Washer, 5/8" spring ...	10	
	9660201	s/d by 9660203 Nut, 5/8" UNF. ...	10	

REAR AXLE AND ROAD WHEELS

Plate Ref.	Part Number	DESCRIPTION	No. per Veh.	REMARKS		
		REAR AXLE UNIT—continued				
46	1201888 s/d by 1219368	HUB c/w Bolts	2	Up to B9116787		
	1216832 s/d by 1216947	HUB c/w Bolts	2			
	1216947	HUB c/w Bolts	2			
47	1219368	HUB c/w Bolts	2	From B9116788 up to 1219368		
	1235768	HUB c/w Bolts	2			
	P.108016 s/d by 1214407	Bolt	8	Series IV		
	1214407	Bolt	8	From Series V		
	1216831	Bolt	Standard road wheels	8	Up to B9116787	
				8		From B9116788 up to Series IV
	1214407	Bolt	8	From Series IV		
48	P.108015 s/d by 1108015	Nut	8	Up to 1207582		
	1108015	Nut	8			
	1207582 s/d by 1108015	Nut	Road wheel		8	From B9101220 up to Series III
					8	
1108015	Nut	8	From Series III			
49	1201403 s/d by 1218272	HUB, O/S (R.H.)	1	See Data 2D/51		
	1218272	HUB, O/S (R.H.)	1			
50	1235766	HUB, O/S (R.H.)	1	Up to Series V		
	1201404 s/d by 1218273	HUB, N/S (L.H.)	1			
	1218273	HUB, N/S (L.H.)	1			
	1235767	HUB, N/S (L.H.)	1			
51	1201405	Locknut, O/S (R.H.)	1	From Series V		
	1201406	Locknut, N/S (L.H.)	1			
52	1206134	Locknut, O/S (R.H.)	1	} Plain		
					1206135	Locknut, N/S (L.H.)
53	1206004 s/d by 1206136	Locknut, O/S (R.H.)	1	} Stamped "OFF"		
					1206005 s/d by 1206137	Locknut, N/S (L.H.)
54	1206136	Locknut, O/S (R.H.)	1	} Stamped "UNDO"		
					1206137	Locknut, N/S (L.H.)
55	9213027	Key	2	} Stamped "OFF"		
					9067079 s/d by 9067314	Washer, 3/8" plain
56	9067314	Washer, 3/8" plain	2	Up to B395004920		
	9032032	Nut, 3/4" UNF. slotted	2			
57	9034022 s/d by 9552123	Nut, 3/4" UNF. Nyloc	2	From B395004921		
	9552123	Nut, 3/4" UNF. Nyloc	2			
	9556123	Nut, 3/4" UNF. Oddie	2			
		BRAKES—See Brake Section.		For axle shaft P.48600		

REAR AXLE AND ROAD WHEELS

Plate Ref.	Part Number	DESCRIPTION	No. per Veh.	REMARKS
ROAD WHEELS				
1201200		ROAD WHEEL	5	Up to B9107290
1210258	s/d by 1214930	ROAD WHEEL } Standard type	5	
1214930		ROAD WHEEL	5	From B9107291
1201361		ROAD WHEEL	5	
5220372		Spokes, 5 $\frac{3}{8}$ " long	100	Not supplied
5220373		Spokes, 3 $\frac{3}{8}$ " long	200	
5220374		Nipple—Spokes	300	
		Tyres		Up to 1207244
1201227		WHEEL COVER (Nave Plate)	4	From B9107388
1207244		WHEEL COVER (Nave Plate)	4	Up to B94102172
1201269		RIMFINISHER	5	From B94102173
1206741		WHEEL TRIM	4	
1201532	s/d by 1235513	Balance weight, $\frac{1}{2}$ oz.	A/R	Max. total weight per wheel—4 ozs.
9228002	s/d by 1235513	Balance weight, $\frac{1}{2}$ oz.	A/R	
1201533	s/d by 1235514	Balance weight, 1 oz.	A/R	
9228003	s/d by 1235514	Balance weight, 1 oz.	A/R	
1201534	s/d by 1235515	Balance weight, 1 $\frac{1}{2}$ ozs.	A/R	
9228004	s/d by 1235515	Balance weight, 1 $\frac{1}{2}$ ozs.	A/R	
1201535	s/d by 1235516	Balance weight, 2 ozs.	A/R	
9228005	s/d by 1235516	Balance weight, 2 ozs.	A/R	
1235513		Balance weight, $\frac{1}{2}$ oz.	A/R	
1235514		Balance weight, 1 oz.	A/R	
1235515		Balance weight, 1 $\frac{1}{2}$ ozs.	A/R	
1235516		Balance weight, 2 ozs.	A/R	

Publication No. 6600992

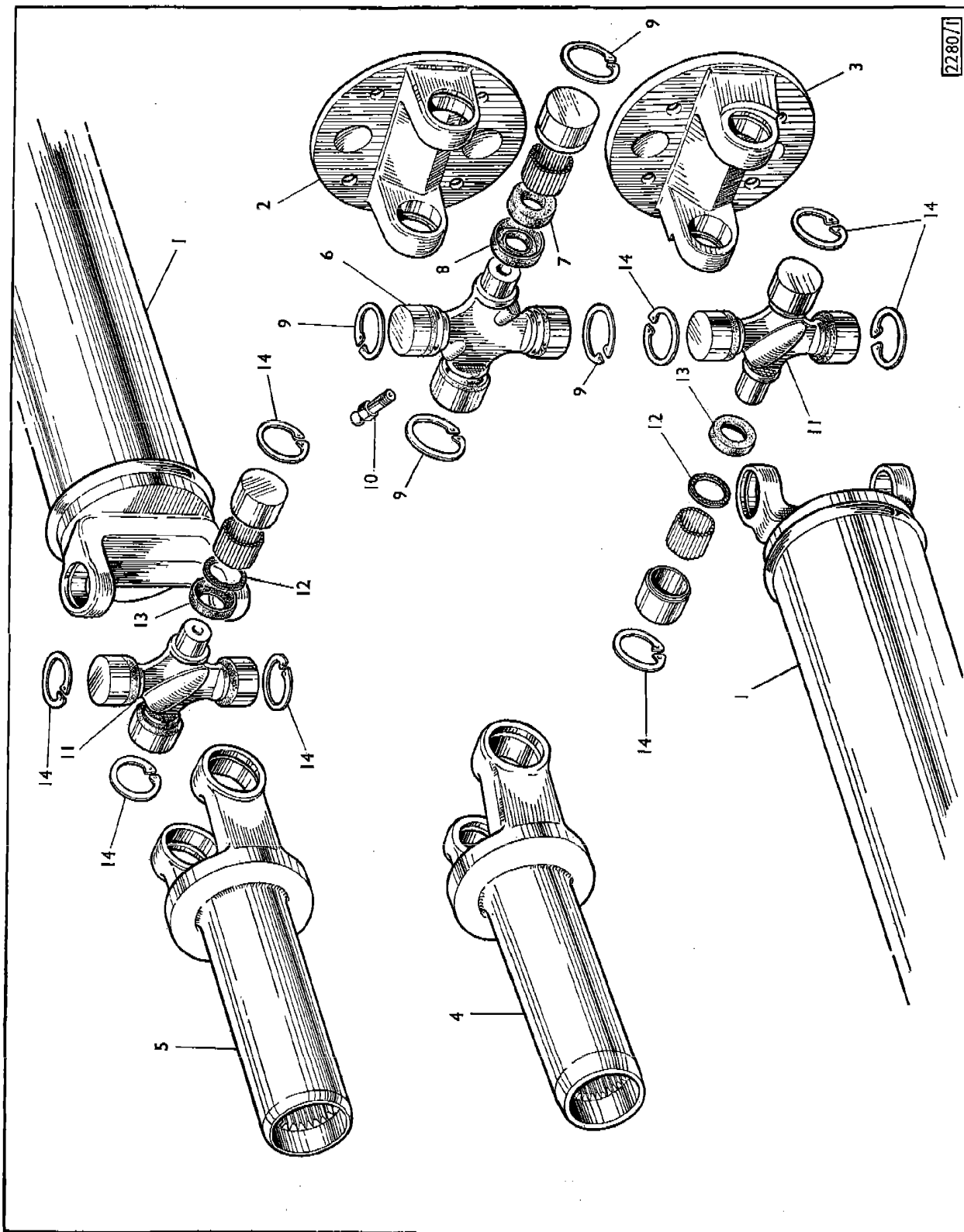
SECTION P

PROPELLOR SHAFT

Lit. 023

PROPELLOR SHAFT

2280/1



SECTION P

Lit. 023

PROPELLOR SHAFT

Plate Ref.	Part Number	DESCRIPTION	No. per Veh.	REMARKS	
PROPELLOR SHAFT					
1	1201273 s/d by 5220632	PROPELLOR SHAFT	1	Series I	
	1206094 s/d by 5220632	PROPELLOR SHAFT	1		
	5220578 s/d by 5220632	PROPELLOR SHAFT	1		
	5220632	PROPELLOR SHAFT Standard Transmission	1		
	5220867	PROPELLOR SHAFT without Overdrive	1	Series II, III & IV up to 5220867 From B94100001 BU, B94600001 CKD up to intro. 1239717 Series V from B395017309	
	1239717	PROPELLOR SHAFT	1		
	2	1201411 s/d by 5220633	PROPELLOR SHAFT	1	Series I
		1206095 s/d by 5220633	PROPELLOR SHAFT	1	
		5220579 s/d by 5220633	PROPELLOR SHAFT Standard Transmission	1	
		5220633	PROPELLOR SHAFT with Overdrive	1	
5220633		PROPELLOR SHAFT Automatic Transmission	1		
2	K.9279	Tubular shaft assembly	1	From Series II Series IV Not supplied	
3	5044942	Flange yoke	1		
		Flange yoke assembly	1		
4	K.25349 s/d by 5040139	Sleeve yoke	1	Series V Standard Transmission without Overdrive from B395017309 Up to 5040139 From B9110171	
4	5040139	Sleeve yoke	1		
5	5057511	Sleeve yoke assembly	1		
6	5037252 s/d by 7080428	Journal and bearing pack	2	Series I From Series II Series V Standard Transmission without Overdrive from B395017309 Not supplied } From separately } Series II	
7	K.12397	Gasket—Journal	8		
8	K.13970	Retainer—Gasket	8		
9	K.10099 s/d by 5041218	Snap ring	8		
10	9217007	Greaser—Rear journal	1		
	9217017	Greaser—Front journal	1		
	5038495 s/d by 7080428	Journal and bearing pack (Greaseless type)	2		
11	7080428	Journal and bearing pack	2		
12		Gasket journal	8		
13		Retainer—Gasket	8		
14	5041218	Snap ring	8		
	9003047	Bolt, 1/8" UNF. x 1/2"	4	Propellor shaft to coupling driver	
	9664203	Washer, 1/8" shakeproof	4		
	5220701	Nut, 1/8" UNF.	4		

PROPELLOR SHAFT

Plate Ref.	Part Number	DESCRIPTION	No. per Veh.	REMARKS

Publication No. 660092

SECTION Q

BRAKES and CONTROLS

Lit. 023

BRAKES AND CONTROLS

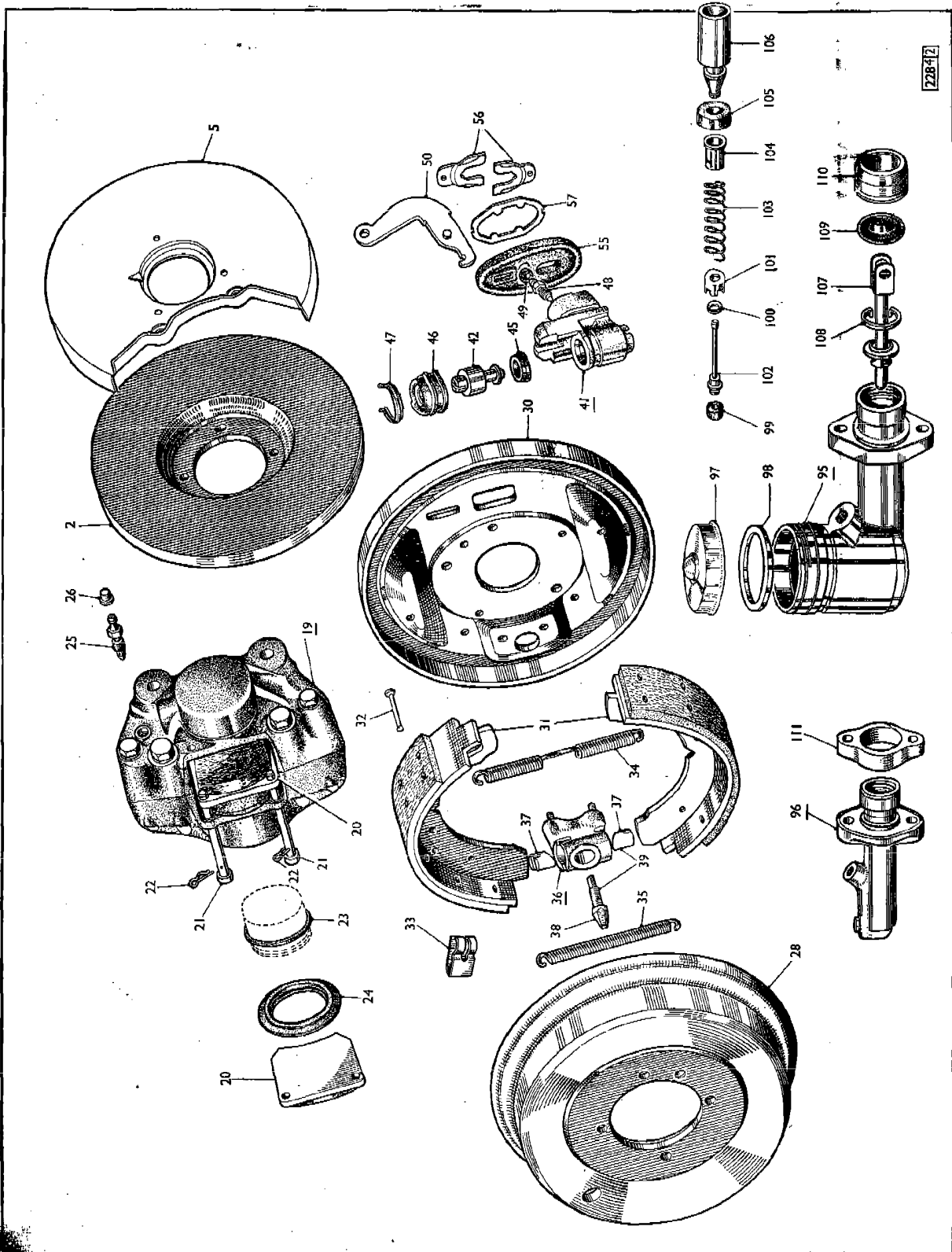
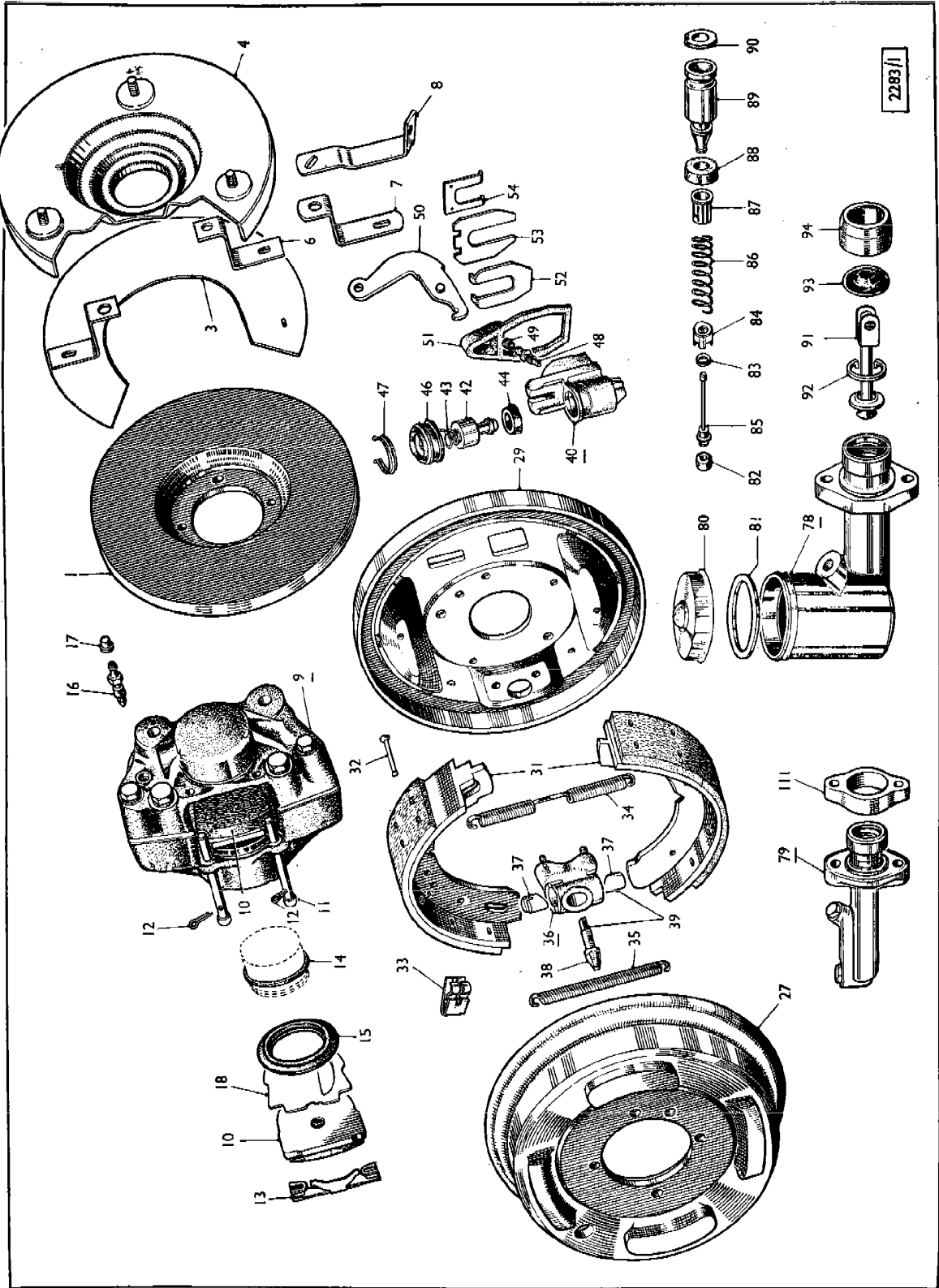


PLATE B — SECTION Q

Lit. 023

BRAKES AND CONTROLS



2283/1

PLATE A — SECTION Q

Lit. 023

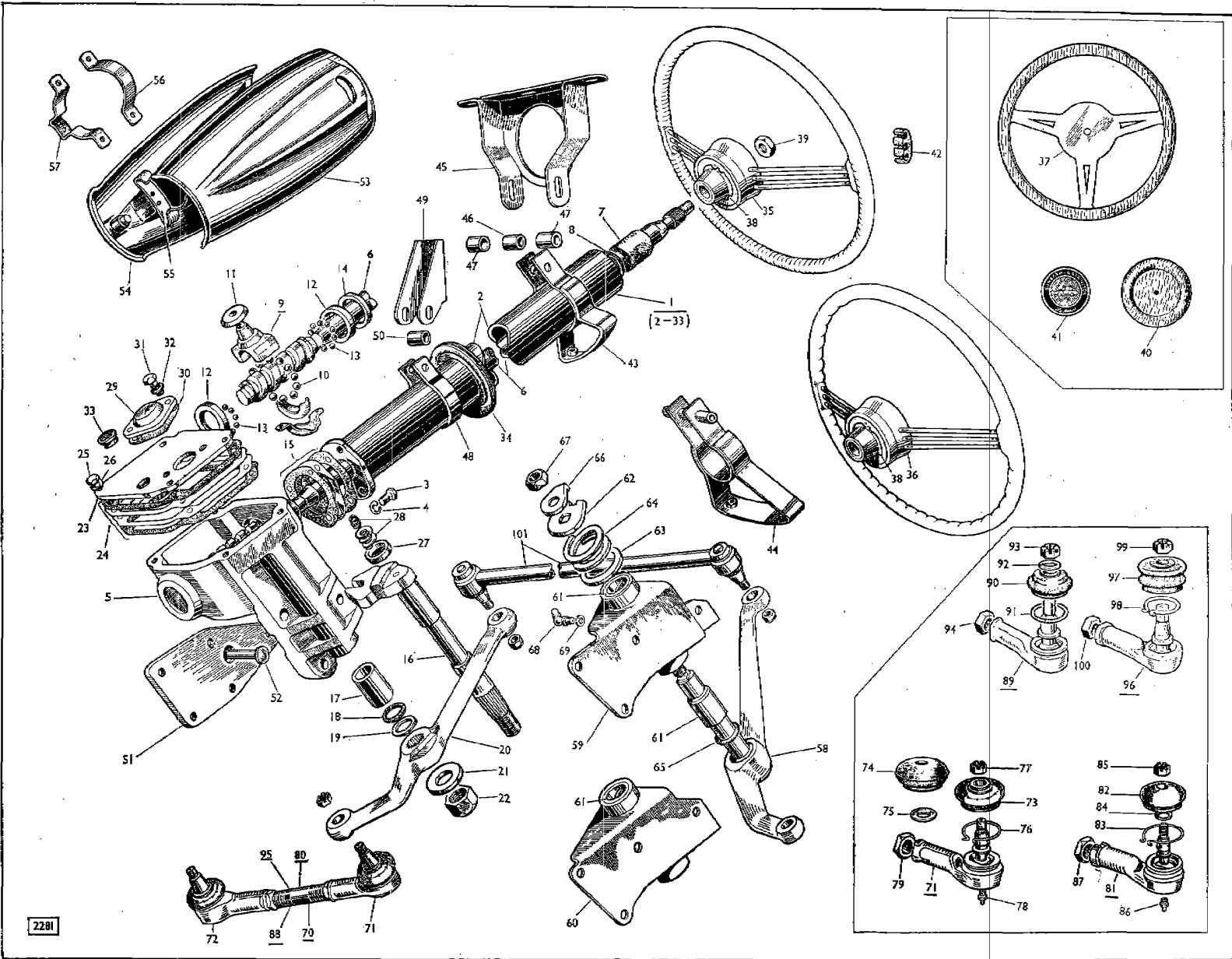
Publication No. 6600992

SECTION R

STEERING AND CONTROLS

Series I and II

STEERING AND CONTROLS — Series I and II



SECTION R

STEERING AND CONTROLS — Series I and II

Plate Ref.	Part Number	DESCRIPTION	No. per Veh.	REMARKS
1	1201274	STEERING UNIT	1	Superseded by 1201684 Series I Superseded by 1206262 Series II Superseded by 1201685 Series I Superseded by 1206263 Series II
	1201684	STEERING UNIT	1	
	1201666	STEERING UNIT R.H.D.	1	
	1206088	STEERING UNIT	1	
	1206262	STEERING UNIT	1	
	1201275	STEERING UNIT	1	
	1201685	STEERING UNIT	1	
	1201667	STEERING UNIT L.H.D.	1	
	1206089	STEERING UNIT	1	
	1206263	STEERING UNIT	1	
		Note. A replacement Steering Unit is available in part exchange for the original.		
2		Outer column		Not supplied
3	19605071	Bolt, $\frac{1}{8}$ " UNC. $\times \frac{3}{8}$ "	3	
4	9661201	Washer, $\frac{1}{8}$ " spring	3	
5	5037253	Steering box R.H.D.	1	Up to B9007648 From B9007649 Up to B9008350 O/D From B9008351 O/D
	5041068	Steering box	1	
	5037254	Steering box L.H.D.	1	
6	5041067	Steering box	1	
	5037255	Inner column c/w cam—R.H.D.	1	
7	5037256	Inner column c/w cam—L.H.D.	1	
	5037257	Top bush (felt) Inner	1	Up to 1206261 From B9108334 R.H.D. B9107608 L.H.D.
	1206261	Top bush (felt) column	1	
8	5037258	Washer—Top bush	1	
9	K.29821	MAIN NUT ASSEMBLY R.H.D.	1	Up to B9007648 From B9007649 Up to B9008350 O/D From B9008351 O/D
	5037612	MAIN NUT ASSEMBLY	1	
	K.29822	MAIN NUT ASSEMBLY L.H.D.	1	
	5037613	MAIN NUT ASSEMBLY	1	
		Note. Main nut assembly includes main nut, transfer channel, retainer and retainer bolts and washers.		
10	9187008	Steel ball, $\frac{1}{8}$ " dia.	13	Up to B9007648 R.H.D. B9008350 L.H.D. O/D From B9007649 R.H.D. B9008350 L.H.D. O/D
	9187008	Steel ball, $\frac{1}{8}$ " dia. Main nut	14	
11	K.29837	Roller	1	
12	K.29834	Cup	2	
13	9187005	Steel ball, $\frac{7}{16}$ " dia.	24	
14	K.29835	Packing washer Adjustable	1	A/R A/R A/R
	K.29826	Joint washer, .002" ballrace	1	
	K.21724	Joint washer, .005"	1	
	K.21725	Joint washer, .0045"	1	
15	K.29825	Rocker shaft	1	
16	K.24275	Bush	1	
17	9107057	Oil seal Rocker shaft	1	
18	5220235	Washer	1	
19	1201218	DROP ARM R.H.D.	1	Up to B9000276 } See data From B9000277 } 2C/69
	1201640	DROP ARM	1	
	1201641	DROP ARM—L.H.D.	1	
20	9067302	Tab washer Drop	1	
21	9510100	Nut, $\frac{1}{8}$ " UNF. arm	1	
22	K.29832	Top cover—R.H.D.	1	
	K.29833	Top cover—L.H.D.	1	

STEERING AND CONTROLS — Series I and II

Plate Ref.	Part Number	DESCRIPTION	No. per Veh.	REMARKS
		STEERING UNIT—continued		
24	K.29828	Joint washer...	1	
	K.29829	Joint washer, .002" ...	A/R	
	5220239	Joint washer, .005" ...	A/R	
	5220240	Joint washer, .010" ...	A/R	
25	19605081	Bolt, $\frac{5}{8}$ " UNC. \times 1"	4	
26	9661201	Washer, $\frac{5}{8}$ " spring ...	4	
27	K.29841	Adjuster button ...	1	
	K.29838	Spring—Large ...	1	} Superseded by } 5037087. See Data 2C/57
	K.29839	Spring—Small ...	1	
28	5037087	Spring set ...	1	
29	K.29840	Cap—Spring ...	1	
30	K.29827	Gasket ...	1	
31	9003041	Bolt—Special ...	2	
32	9664203	Washer, $\frac{5}{8}$ " shakeproof ...	2	
33	5220241	Oil plug ...	1	
34	1201214	Grommet—Steering unit ...	1	
35	1201276	HAND WHEEL ...	1	Up to B9005503
36	1206012	HAND WHEEL ...	1	From B9005504
37	2220933	HAND WHEEL ...	1	Series II Le-Mans
38	P.45506	Contact plate ...	1	Not required for Series II Le-Mans
39	9029038	Nut—Handwheel to column ...	1	
40	2220936	Boss ...	1	
41	2220937	Emblem (Red) ...	1	} Series II Le-Mans
	2220960	Emblem (Blue) ...	1	
42	1201720	Grommet—Handwheel ...	2	Not required for Series II Le-Mans
43	2201392	Attachment bracket } R.H.D. } Steering column	1	Up to B9000276 approx.
44	1206495	Attachment bracket } L.H.D. } top	1	From B9000277 approx.
	1201637	Attachment bracket } L.H.D. }	1	Superseded by 1206495
	1206495	Attachment bracket } L.H.D. }	1	
	19504061	Screw, $\frac{1}{4}$ " UNF. \times $\frac{1}{2}$ "	2	
	9067017	Washer, $\frac{1}{4}$ " plain	2	
	9664162	Washer, $\frac{1}{4}$ " shakeproof	2	
	9067018	Packing washer	A/R	
45	1201278	Support bracket } R.H.D. } Steering column to	1	} Up to B9000276 } From B9000277
	1201634	Support bracket } R.H.D. } facia	1	
	1201635	Support bracket—L.H.D. }	1	
	19504041	Bolt, $\frac{1}{4}$ " UNF. \times $\frac{1}{2}$ "	3	
	9067014	Washer, $\frac{1}{4}$ " plain	3	} Up to B9114899
	9664162	Washer, $\frac{1}{4}$ " shakeproof	3	
	19504041	Bolt, $\frac{1}{4}$ " UNF. \times $\frac{1}{2}$ "	2	} From B9114900
	9067014	Washer, $\frac{1}{4}$ " plain	2	
	9664162	Washer, $\frac{1}{4}$ " shakeproof	2	
46	P.109206	Distance piece ...	1	Up to B9114899
	19104131	Bolt, $\frac{1}{4}$ " UNF. \times 1 $\frac{1}{8}$ "	1	Up to B9000276
	19104241	Bolt, $\frac{1}{4}$ " UNF. \times 3" R.H.D. } Attachment bracket	1	} From B9000277
	19104241	Bolt, $\frac{1}{4}$ " UNF. \times 3"—L.H.D. }	1	

STEERING AND CONTROLS — Series I and II

Plate Ref.	Part Number	DESCRIPTION	No. per Veh.	REMARKS
47	9067018	Washer, 1/4" plain	2	Up to B9000276 From B9000277
	9067018	Washer, 1/4" plain } R.H.D.	4	
	9067018	Washer, 1/4" plain } L.H.D.	4	
	1201644	Distance piece	2	
	1201644	Distance piece—R.H.D.	2	
48	9664162	Washer, 1/4" shakeproof	1	Not supplied
	9510040	Nut, 1/4" UNF. ...	1	
49	1201215	Support clip—Steering column—Lower	1	Up to B9115000
	19505051	Support bracket	1	
50	9664203	Bolt, 5/16" UNF. x 1/2" ...	2	Up to B9000276 From B9000277 up to B9115000
	9664203	Washer, 5/16" shakeproof } Support bracket to body	2	
	9067026	Washer, 5/16" plain } Support bracket to body	2	
	P.109206	Distance piece ...	1	
	19104131	Bolt, 1/4" UNF. x 1 1/8" } Support clip	1	
	9067018	Washer, 1/4" plain } to	2	
	9664162	Washer, 1/4" shakeproof } support bracket	1	
	9510040	Nut, 1/4" UNF. ...	1	
	1201234	Mounting bracket	1	
	1201638	Mounting bracket } R.H.D.	1	
51	1206516	Mounting bracket } L.H.D.	1	Up to B9115000 From B9115001
	1201639	Mounting bracket } Steering unit ...	1	
	1206517	Mounting bracket } L.H.D.	1	
	19106101	Bolt, 3/8" UNF. x 1 1/4" } Steering box to bracket ...	2	
	19106141	Bolt, 3/8" UNF. x 1 1/4" } Steering box to bracket ...	1	
	9067036	Washer, 3/8" plain } Steering box to bracket ...	3	
	9664242	Washer, 3/8" shakeproof } Steering box to bracket ...	4	
	9510060	Nut, 3/8" UNF. ...	1	
	1201233	Bolt, 3/8" UNF. x 3" } Mounting bracket to frame	1	
	19106241	Bolt, 3/8" UNF. x 3" } Mounting bracket to frame	2	
52	19106271	Bolt, 3/8" UNF. x 3 3/8" } Mounting bracket to frame	2	Up to B9115000 From B9115001
	9664242	Washer, 3/8" shakeproof } Mounting bracket to frame	3	
	9067041	Washer, 3/8" plain } Mounting bracket to frame	A/R	
	9067254	Washer, 3/8" plain } Mounting bracket to frame	A/R	
	9067041	Washer, 3/8" plain } Mounting bracket to frame	3	
	9510060	Nut, 3/8" UNF. ...	1	
	9510060	Nut, 3/8" UNF. ...	3	
	1201329	COWL—Inner	1	
	1201328	COWL—Outer	1	
	53	1201606	Clip—Cowl to column	
9732046		Screw, No. 6 x 1/4"—Cowl to column	4	
56	1201606	Clip—Cowl attachment	2	Series II
	1201660	Clip—Inner	2	
57	1201661	Clip—Outer	2	Series II
	39303080	Screw, No. 10 UNF. x 1/2"	4	
58	9663122	Washer, 3/8" shakeproof	4	Complete with fulcrum pin ...
	39021050	Screw, 4 BA x 3/8"—Clip to cowl	8	
	1201608	Grommet—Cowl blanking overdrive switch hole	1	
	1201238	RELAY LEVER—R.H.D.	1	
	1201239	RELAY LEVER—L.H.D.	1	

STEERING AND CONTROLS — Series I and II

Plate Ref.	Part Number	DESCRIPTION	No. per Veh.	REMARKS
59	1201514	Support bracket	1	Up to B9003400 From B9003401 Up to B9003400 From B9003401
60	1201522	Support bracket } R.H.D. } Relay	1	
	1201515	Support bracket } L.H.D. } lever	1	
	1201523	Support bracket	1	
61	P.108186	Bush	2	
62	P.89716	Thrust washer	1	
63	9067373	Washer	1	
64	P.108742	Spring	1	
65	9107058	Sealing ring	1	
66	P.89717	Tab washer	1	
67	9510090	Nut, $\frac{3}{8}$ " UNF.	1	
68	9217014	Greaser—Support bracket	1	
69	9078008	Washer, $\frac{1}{4}$ " fibre—Greaser	1	
	19106241	Bolt, $\frac{3}{8}$ " UNF. \times 3"	3	
	9067041	Washer, $\frac{3}{8}$ " plain	3	
	9664242	Washer, $\frac{3}{8}$ " shakeproof	6	Up to B9115000 From B9115001
	9660242	Washer, $\frac{3}{8}$ " spring	3	
	9510060	Nut, $\frac{3}{8}$ " UNF.	3	
	19106081	Bolt, $\frac{3}{8}$ " UNF. \times 1"	1	
	9664242	Washer, $\frac{3}{8}$ " shakeproof	1	Up to B9115000 From B9115001
	9660242	Washer, $\frac{3}{8}$ " spring	1	
	9510060	Nut, $\frac{3}{8}$ " UNF.	1	
70	P.116368	*CROSS TUBE—Outer	2	Not supplied
		Intermediate tube	2	
71	K.29861	Socket assembly—R.H. thread	2	
72	K.29863	Socket assembly—L.H. thread	2	
73	K.29865	Boot	4	Superseded by 5036981 See Data 2C/50
74	5036981	Boot	4	
75	5036982	Retainer	4	
76	K.18969	Clip—Large	4	
77	9540070	Nut, $\frac{3}{8}$ " UNF. slotted	4	
78	9217013	Greaser	4	
79	9520091	Locknut—R.H. thread	2	Series I.
	9029152	Locknut—L.H. thread	2	
80	P.116368	*CROSS TUBE—Outer	2	Not supplied
		Intermediate tube	2	
81	K.29861	Socket assembly—R.H. thread	2	
	K.29863	Socket assembly—L.H. thread	2	
82	K.29866	Boot	4	
83	K.29867	Clip	4	Superseded by 5037568
	K.29868	Washer } Dished	4	
84	5037568	Washer	4	
85	9540070	Nut, $\frac{3}{8}$ " UNF.—Slotted	4	
86	9217013	Greaser	4	
87	9520091	Locknut—R.H. thread	2	
	9029152	Locknut—L.H. thread	2	

*Note. When ordering Cross Tube components it is important to check with illustration to ensure that the correct parts are obtained.

STEERING AND CONTROLS — Series I and II

Plate Ref.	Part Number	DESCRIPTION	No. per Veh.	REMARKS
88	1207438	*CROSS TUBE—Outer	2	} Not supplied
		Intermediate tube		
89	5038243	Socket assembly—R.H. thread	2	
	5038245	Socket assembly—L.H. thread	2	
90	5039453	Boot	4	
91	5038864	Gaiter spring	4	
92	5039455	Washer	4	
93	9540070	Nut, $\frac{1}{8}$ " slotted	2	
94	9520091	Locknut—R.H. thread	2	
	9029152	Locknut—L.H. thread	2	
95	1207438	*CROSS TUBE—Outer	2	} Series II } Not supplied
		Intermediate tube		
96	5038243	Socket assembly—R.H. thread	2	
	5038245	Socket assembly—L.H. thread	2	
97	5038247	Boot	4	
98	5037604	Clip—Boot	4	
99	9540070	Nut, $\frac{1}{8}$ " slotted	4	
100	9520091	Locknut—R.H. thread	2	
	9029152	Locknut—L.H. thread	2	
		*Note. When ordering Cross Tube components it is important to check with illustration to ensure that the correct parts are obtained.		
101	P.115145	CROSS TUBE—Centre	1	

STEERING AND CONTROLS — Series I and II

Plate Ref.	Part Number	DESCRIPTION	No. per Veh.	REMARKS

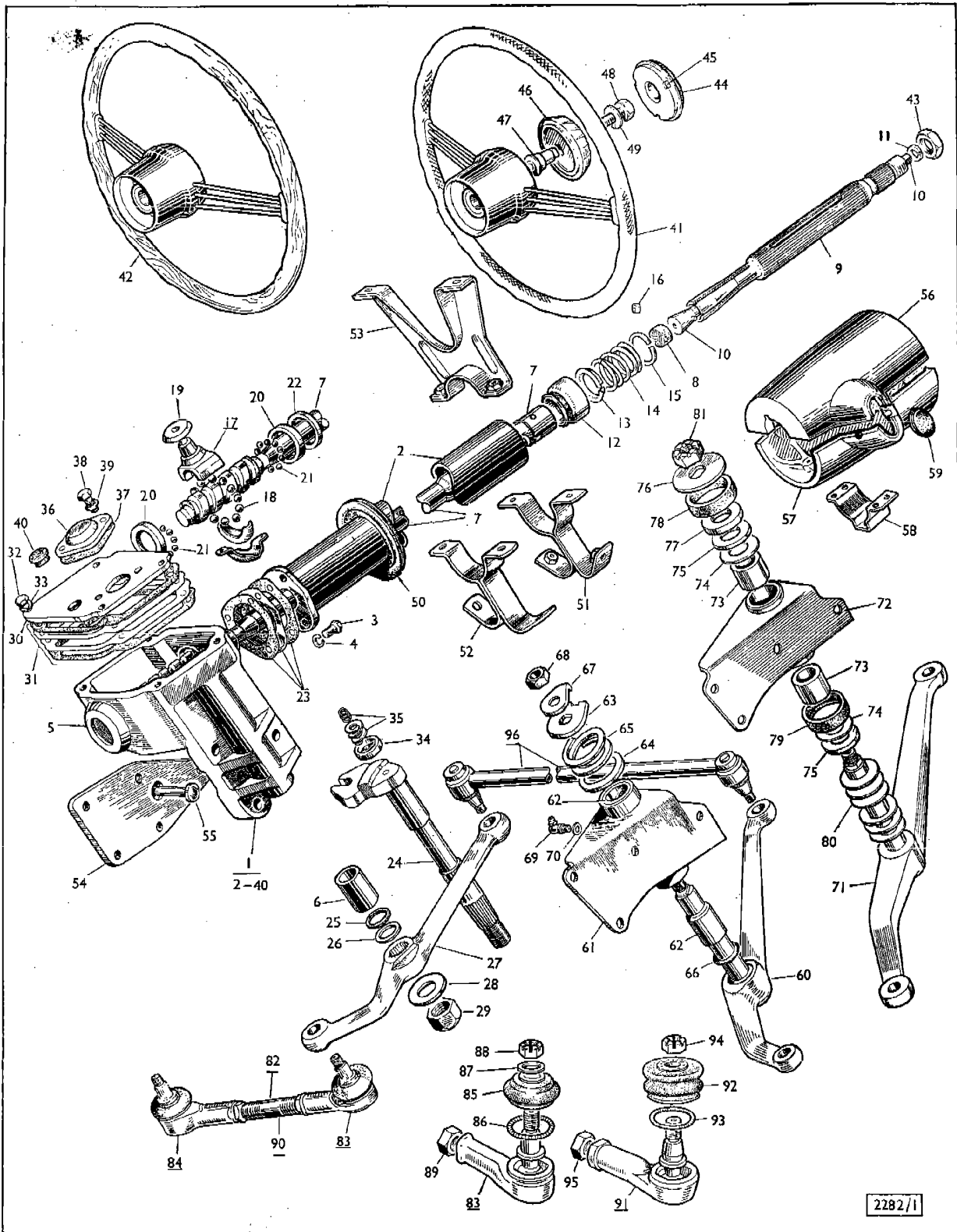
Publication No. 6600992

SECTION RA

STEERING AND CONTROLS

Series III onwards

STEERING AND CONTROLS — Series III



SECTION RA

STEERING AND CONTROLS — Series III onwards

Plate Ref.	Part Number	DESCRIPTION	No. per Veh.	REMARKS
1	1206390 s/d by 1239026	STEERING UNIT—R.H.D.	1	Up to intro. 1239026 Up to intro 1239027 From B395011089 From B395011881
	1206391 s/d by 1239027	STEERING UNIT—L.H.D.	1	
	1239026	STEERING UNIT—R.H.D.	1	
	1239027	STEERING UNIT—L.H.D.	1	
		Note. A replacement Steering Unit is available in part exchange for the original.		
2		Outer column		Not supplied
3	19605071	Bolt, $\frac{1}{8}$ " UNC. $\times \frac{3}{8}$ "	3	} Outer column to steering box
4	9660201 s/d by 9660203	Washer, $\frac{1}{8}$ " spring	3	
5	5041068	Steering box—R.H.D.	1	
	5041067	Steering box—L.H.D.	1	
6	K.24275	Bush	1	
7	5041070	Inner column c/w cam—R.H.D.	1	
	5041069	Inner column c/w cam—L.H.D.	1	
8	5041078	Plug—Inner column	1	
9	1206272	Inner column extension	1	
10	1206273	Bolt—Inner column extension	1	
11	1206462 s/d by 1206701	Circlip—Nylon—Inner column extension bolt	1	
	1206701	Circlip—Inner column extension bolt	1	
12	5041072	Ball race } Inner	1	Up to intro. 5043284 From B395011089 R.H.D., B395011881 L.H.D.
	5043284	Ball race } column	1	
13	5041073	Bush—Inner column ball race	1	
14	5041077	Spring } Inner	1	
15	5041075	Circlip } column	1	
16	1206274	Stop button—Inner column	1	
17	5037612	MAIN NUT ASSEMBLY—R.H.D.	1	
	5037613	MAIN NUT ASSEMBLY—L.H.D.	1	
		Note. Main nut assembly includes Main Nut, Transfer Tube, Retainer and Retainer Bolts and Washers.		
18	9187008	Steel ball, $\frac{1}{8}$ " dia. } Main	14	} nut
19	K.29837	Roller	1	
20	K.29834	Cup	2	
21	K.29472 s/d by 9187005	Steel ball, $\frac{1}{8}$ " dia.	24	} Adjustable ball race
22	K.29835	Packing washer	1	
23	K.29826	Joint washer, .002"	A/R	
	K.21724	Joint washer, .005"	A/R	
	K.21725	Joint washer, .0045"	A/R	
	5038137	Joint washer, .010"	A/R	
24	K.29825	Rocker shaft	1	
25	9107057	Oil seal } Rocker	1	} shaft
26	5220235	Washer	1	
27	1201640	Drop arm—R.H.D.	1	
	1201641	Drop arm—L.H.D.	1	
28	9067302	Tab washer	1	} Drop arm
	5058081	Spring washer	1	
29	9510100	Nut, $\frac{3}{8}$ " UNF.	1	
30	K.29832	Top cover—R.H.D.	1	Up to intro. 5058081 From B395011089 R.H.D., B395011881 L.H.D.
	K.29833	Top cover—L.H.D.	1	

STEERING AND CONTROLS — Series III onwards

Plate Ref.	Part Number	DESCRIPTION	No. per Veh.	REMARKS
		STEERING UNIT—continued		
31	K.29828	Joint washer	1	
	K.29829 s/d by 5057562	Joint washer, .002"	A/R	
	5220239	Joint washer, .005"	A/R	
	5220240	Joint washer, .010"	A/R	
32	19605081	Bolt, $\frac{1}{8}$ " UNC. \times 1"	4	
33	9660201 s/d by 9660203	Washer, $\frac{3}{8}$ " spring	4	
34	K.29841	Adjuster button	1	
35	5037087	Springs (pair)—Rocker shaft	1	
36	K.29840	Cap—Spring	1	
37	K.29827	Gasket	1	
38	9003041	Bolt—Special	2	
39	9664203	Washer, $\frac{1}{8}$ " shakeproof	2	
40	5220241 s/d by 9119527	Oil plug	1	
	9119527	Oil plug	1	
41	1206429	HAND WHEEL	1	
42	1206521	HAND WHEEL	1	
43	9029038 s/d by 9029179	Nut } Hand wheel	1	G.T. Up to B9200530 From B9200531
	9029179	Nut } to column	1	
44	1206524 s/d by 1228688	Motif	1	
45	1206388	Clip	3	
46	1206510	Adjuster nut	1	
47	1206509	Nut—Column extension	1	
48	19505032	Screw, $\frac{1}{8}$ " UNF. \times $\frac{3}{8}$ "	1	
49	9067089	Washer, $\frac{1}{8}$ " plain	1	
	1201214 s/d by 9118508	Grommet } Steering	1	
50	9118508	Grommet } unit	1	
51	1206563 s/d by 1223832	Clip } Support	2	Up to B9200699 From B9200700
52	1223832	Clip } bracket	1	
	9067017	Washer, $\frac{1}{4}$ " plain	2	
	9510040	Nut, $\frac{1}{4}$ " UNF.	2	
	19504051 s/d by 19504052	Bolt, $\frac{1}{4}$ " UNF. \times $\frac{3}{8}$ "	2	
	9664162 s/d by 9664163	Washer, $\frac{1}{4}$ " shakeproof	2	
	5220695	Screw, $\frac{1}{4}$ " UNF. \times $\frac{3}{8}$ "	2	
	9067017	Washer, $\frac{1}{4}$ " plain	2	
	9664162 s/d by 9664163	Washer, $\frac{1}{4}$ " shakeproof	2	
	9067018	Packing washer	A/R	
53	1206560	Support bracket	1	Up to B94100000 BU, B94600000 CKD From B94100001 BU, B94600001 CKD
	1206560	Support bracket—R.H.D.	1	
	1206621	Support bracket—L.H.D.	1	
	19504051 s/d by 19504052	Bolt, $\frac{1}{4}$ " UNF. \times $\frac{3}{8}$ "	2	
	9664162 s/d by 9664163	Washer, $\frac{1}{4}$ " shakeproof	2	
54	1206516	Mounting bracket—R.H.D.	1	
	1206517	Mounting bracket—L.H.D.	1	
	19106101 s/d by 19506101	Bolt, $\frac{3}{8}$ " UNF. \times $1\frac{1}{4}$ "	2	
	19506101	Screw, $\frac{3}{8}$ " UNF. \times $1\frac{1}{4}$ "	2	
	19106141	Bolt, $\frac{3}{8}$ " UNF. \times $1\frac{1}{4}$ "	1	
	9067036	Washer, $\frac{3}{8}$ " plain	3	
	9664242	Washer, $\frac{3}{8}$ " shakeproof	4	
	5220703	Nut, $\frac{3}{8}$ " UNF.	1	
55	1201233	Bolt, $\frac{3}{8}$ " UNF. \times 3"	1	
	19106271	Bolt, $\frac{3}{8}$ " UNF. \times $3\frac{3}{8}$ "	2	
	9664242	Washer, $\frac{3}{8}$ " shakeproof	3	
	9067041	Washer, $\frac{3}{8}$ " plain \times 1" O/D	A/R	
	9067254	Washer, $\frac{3}{8}$ " plain \times $\frac{11}{16}$ " O/D	A/R	
	9067041	Washer, $\frac{3}{8}$ " plain \times $\frac{7}{8}$ " O/D	3	
	5220703	Nut, $\frac{3}{8}$ " UNF.	3	

STEERING AND CONTROLS — Series III onwards

Plate Ref.	Part Number	DESCRIPTION	No. per Veh.	REMARKS
56	1206294	COWL—Upper	1	
57	1206295	COWL—Lower	1	
	1206297	Clip } cowl to ...	1	Up to B9204120
58	1224207	Clip } column ...	1	From B9204121
	9733123	Screw, No. 8 × ½"	1	Up to B94100000 BU, B94600000 CKD
	9773126	Screw, No. 8 × ½" } Clip to cowl (lower)	1	From B94100001 BU, B94600001 CKD
	9020042	Spire nut, No. 8 J	1	
	39403081	Screw, No. 10 × ½"—Cowl upper to column	4	} Up to B94100000 BU, B94600000 CKD
	39601101	Screw, No. 6 × ½"—Cowl lower to cowl upper	2	
	39313081	Screw, No. 10 UNF. × ½"—Cowl upper to column	4	} From B94100001 BU, B94600001 CKD
	39711122	Screw, No. 6 UNC. × ½"—Cowl lower to cowl upper	2	
59	1206410	Grommet—Cowl	1	
60	1201238	RELAY LEVER—R.H.D. } Complete with	1	} Series III
	1201239	RELAY LEVER—L.H.D. } fulcrum pin	1	
61	1201522	Support bracket—R.H.D. } Relay	1	} lever
	1201523	Support bracket—L.H.D. }	1	
62	P.108186	Bush	2	} Superseded by 1218202 Series III
	1218202	Bush	2	
63	P.89716	Thrust washer } Relay to	1	} Series III
64	9067373	Washer } bracket	1	
65	9083060	Spring	1	
66	9107058	Sealing ring } Relay to	1	
67	P.89717	Tab washer } bracket	1	
68	9510090	Nut, ⅜" UNF. }	1	
69	9217014	Greaser—Support bracket	1	
70	9078008	Washer, ¼" fibre—Greaser	1	
	19106261	Bolt, ⅜" UNF. × 3¼"	3	
	9067041	Washer, ⅜" plain } Relay lever support	3	
	5200486	Washer, ⅜" spring } bracket to frame	3	
	5220703	Nut, ⅜" UNF. }	3	
	5220694	Bolt, ⅜" UNF. × 1" } Relay lever	1	
	5200486	Washer, ⅜" spring } support bracket to	1	
	5220703	Nut, ⅜" UNF. } mounting bracket	1	
71	1223936	RELAY LEVER—R.H.D. } Complete with	1	} fulcrum pin
	1223937	RELAY LEVER—L.H.D. }	1	
72	1223930	Support bracket—R.H.D. } Relay	1	} lever
	1223931	Support bracket—L.H.D. }	2	
73	1216727	Bush	2	
	19504021	Screw, ¼" UNF. × ½" } Support	1	} bracket
	9078008	Washer, ¼" fibre }	1	
74	1216728	Thrust washer (lined)	2	} Series IV onwards
75	1219354	Bearing washer	2	
76	1219568	Thrust washer	1	
77	9067535	Distance piece	1	
78	9122248	Sealing ring (Top)	1	
79	1223942	Sealing ring (bottom)	1	
80	9075139	Belleville washer	6	
81	9540090	Nut, ⅜" UNF. slotted	1	

STEERING AND CONTROLS — Series III onwards

Plate Ref.	Part Number	DESCRIPTION	No. per Veh.	REMARKS
	19106261	Bolt, $\frac{3}{8}$ " UNF. \times $3\frac{1}{4}$ "	3	} Series IV onwards
	5200486	Washer, $\frac{3}{8}$ " spring	3	
	9067041	Washer, $\frac{3}{8}$ " plain	3	
	5220703	Nut, $\frac{3}{8}$ " UNF. ...	3	
	5220694	Bolt, $\frac{3}{8}$ " UNF. \times 1"	1	
	5200486	Washer, $\frac{3}{8}$ " spring	1	
	5220703	Nut, $\frac{3}{8}$ " UNF. ...	1	
82	5220745	*CROSS TUBE—Outer	2	
		Intermediate tube		
83	5041046	Socket assembly—R.H. thread	2	
84	5041047	Socket assembly—L.H. thread	2	
85	5039453	Boot	4	
86	5038864	Gaiter spring	4	
87	5039455	Washer	4	
88	9540070	Nut, $\frac{7}{16}$ " UNF. slotted	4	
89	9520091	Locknut—R.H. thread	2	
	9029152	Locknut—L.H. thread	2	
90	5220745	*CROSS TUBE—Outer	2	} Not supplied
		Intermediate tube		
91	5041046	Socket assembly—R.H. thread	2	
	5041047	Socket assembly—L.H. thread	2	
92	5041040	Boot	4	} Up to B9405005 From B9405006
	5042790	Boot	4	
93	5039594	Gaiter spring	4	} Up to B9405005 From B9405006
	5042791	Gaiter spring—Boot	4	
94	9540070	Nut, $\frac{7}{16}$ " UNF. slotted	4	
95	9520091	Locknut—R.H. thread	2	
	9029152	Locknut—L.H. thread	2	
96	P.115145	CROSS TUBE	1	} Superseded by 5220976
	1219630	CROSS TUBE } Centre	1	
	5220976	CROSS TUBE	1	
	5220708	Nut	2	

*Note. When ordering Cross Tube components it is important to check with illustration to ensure that the correct parts are obtained.

Publication No. 6600992

SECTION S

SUSPENSION — REAR

SUSPENSION — REAR

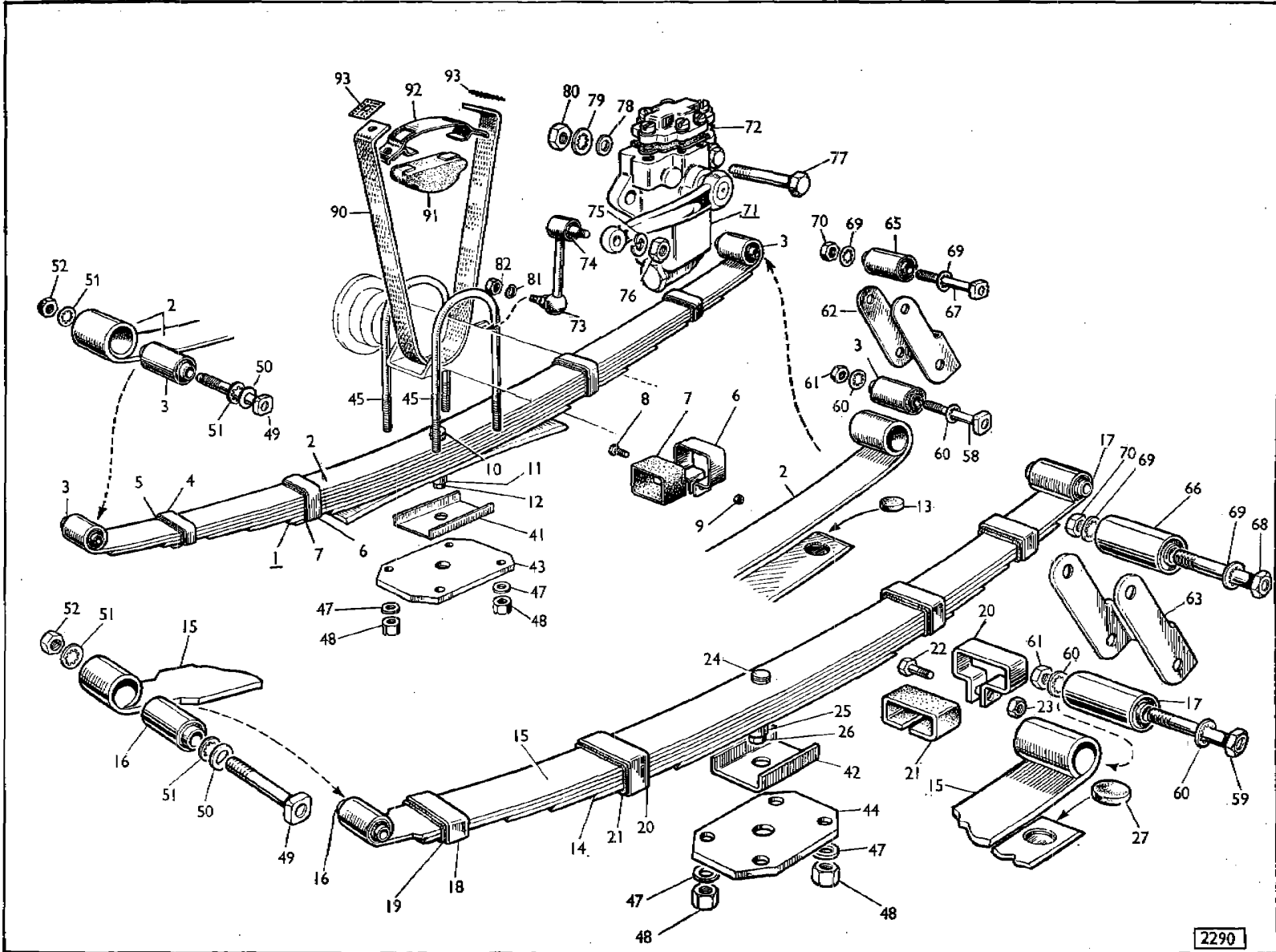


PLATE A — SECTION S

SUSPENSION — REAR

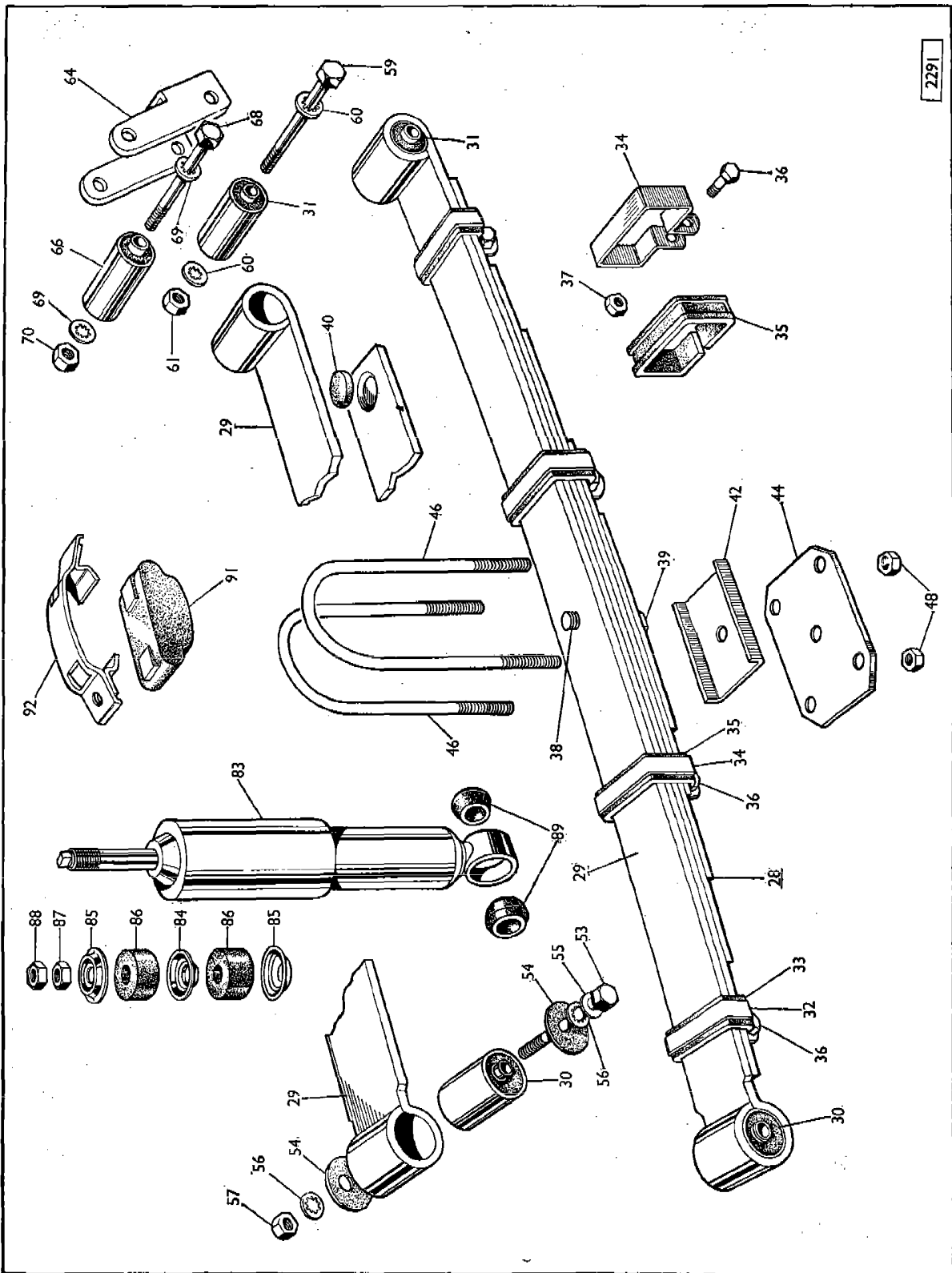


PLATE B — SECTION 5

SUSPENSION — REAR

Plate Ref.	Part Number	DESCRIPTION	No. per Veh.	REMARKS
		Note. Replacement Rear Springs are available in part exchange for the original.		
A1	1201466	REAR SPRING	2	Series I Superseded by 19504081
A2	5037259	Leaf No. 1—Main	2	
A3	9199018	Bush—Spring eye	4	
A4	5037260	Clip	4	
A5	5037262	Rubber liner } 3rd leaf	4	
A6	5037261	Clip	4	
A7	5037263	Rubber liner } 6th leaf	4	
	19104081	Bolt, ¼" UNF. × 1" }	8	
A8	19504081	Bolt, ¼" UNF. × 1" } Clips	8	
A9	9510040	Nut, ¼" UNF. }	8	
A10	9007024	Dowel bolt	2	
A11	1201482	Locating collar—Dowel bolt	2	
A12	9510040	Nut—Dowel bolt	2	
A13	P.84770	Thrust button	12	
A14	1206036	REAR SPRING	2	Series II
A15	5038343	Leaf No. 1—Main	2	
A16	9199018	Bush—Spring eye (Front)	2	
A17	9199024	Bush—Spring eye (Rear)	2	
A18	5038344	Clip	4	
A19	5038346	Rubber liner } 2nd leaf	4	
A20	5038345	Clip	4	
A21	5038347	Rubber liner } 5th leaf	4	
A22	19504081	Bolt, ¼" UNF. × 1" } Clips	8	
A23	9510040	Nut, ¼" UNF. }	8	
A24	9007004	Dowel bolt	2	
A25	1201482	Locating collar—Dowel bolt	2	
A26	9510040	Nut—Dowel bolt	2	
A27	P.84770	Thrust button	12	
B28	1206585	REAR SPRING	2	Series III up to intro, 1223892
B29	5041120	Leaf No. 1—Main	2	
B30	9199163	Bush—Spring eye (Front)	2	
B31	9199024	Bush—Spring eye (Rear)	2	
B32	5038344	Clip	4	
B33	5038346	Rubber liner } 2nd leaf	4	
B34	5038345	Clip	4	
B35	5038347	Rubber liner } 5th leaf	4	
B36	19504081	Bolt, ¼" UNF. × 1" } Clips	8	
B37	9510040	Nut, ¼" UNF. }	8	
B38	9007004	Dowel bolt	2	
	1201482	Locating collar—Dowel bolt	2	
B39	9510040	Nut—Dowel bolt	2	
B40	P.84770	Thrust button	12	

SUSPENSION — REAR

Plate Ref.	Part Number	DESCRIPTION	No. per Veh.	REMARKS
	1223892	REAR SPRING	2	Series III from B9203548; C.K.D. South Africa B9250157, Italy B9250241 and Series IV
	5042062	Leaf No. 1—Main	2	
	9199163	Bush—Spring eye (Front)	2	
	9199024	Bush—Spring eye (Rear)	2	
	5038344	Clip	4	
	5038346	Rubber liner } 2nd leaf	4	
	5042063	Clip	4	
	5042064	Rubber liner } 4th leaf	4	
	19504081	Bolt, 1/4" UNF. x 1" } Clips	8	
	9510040	Nut, 1/4" UNF. }	8	
	5042066	Dowel bolt c/w nut	2	
	1201482	Locating collar—Dowel bolt	2	
	P.84770	Thrust button	8	
A41	1201487	Location plate	2	
AB42	1206050	Location plate	2	
A43	1201484	Clamp plate	2	
AB44	1207239	Clamp plate	2	
	1228933	Clamp plate	2	
A45	9009080	"U" bolt } Spring to rear axle	4	
B46	9009081	"U" bolt } casing	4	
	9009085	"U" bolt	4	
A47	9067049	Washer, 1/8" plain	8	
	9571073	Nut, 1/8" Nyloc	8	
AB48	9555073	Nut, 1/8" Oddie	8	
A49	9003091	Bolt, 7/16" UNF.	2	
	9067049	Washer, 1/8" plain } Alternatives	2	
	9067500	Washer, 1/8" plain }	2	
A50	9067047	Washer, 1/8" plain } Spring eye (Front) to frame	2	
A51	9664282	Washer, 7/16" shakeproof	4	
A52	5220704	Nut, 7/16" UNF.	2	
B53	19107302	Bolt, 1/8" UNF. x 3 3/4"	2	
B54	1214902	Washer (rubber)	4	
B55	9067047	Washer, 1/8" plain } Spring eye (front) to frame	2	
B56	9664282	Washer, 7/16" shakeproof	4	
B57	5220704	Nut, 1/8" UNF.	2	
A58	9003091	Bolt, 7/16" UNF.	2	
AB59	19107302	Bolt, 1/8" UNF. x 3 3/4" } Spring eye (Rear) to shackle	2	
AB60	9664282	Washer, 7/16" shakeproof	4	
AB61	5220704	Nut, 7/16" UNF.	2	
A62	P.54548	Shackle	2	
A63	1206045	Shackle	2	
	1216949	Shackle	2	
B64	1206045	Shackle	2	
A65	9199018	Bush } Shackle	2	
AB66	9199024	Bush }	2	
A67	9003091	Bolt, 1/8" UNF.	2	
AB68	19107302	Bolt, 1/8" UNF. x 3 3/4" } Shackle to frame	2	
AB69	9664282	Washer, 7/16" shakeproof	4	
AB70	5220704	Nut, 7/16" UNF.	2	

SUSPENSION — REAR

Plate Ref.	Part Number	DESCRIPTION	No. per Veh.	REMARKS
	1201270	SHOCK ABSORBER, O/S (R.H.)	1	} Series I
	1201271	SHOCK ABSORBER, N/S (L.H.)	1	
A71	1206130	SHOCK ABSORBER, O/S (R.H.)	1	} Series II
	1206131	SHOCK ABSORBER, N/S (L.H.)	1	
	K.23386	Gasket—Lid	2	Series I
A72	5038324	Gasket—Lid	2	Series II
A73	P.116474	Link ...	2	} Series I and II
A74	K.21455	Rubber bush—Link	2	
A75	9660241	Washer, 3/8" spring	2	} Link to shock absorber
A76	5220703	Nut, 3/8" UNF.	2	
A77	19106203	Bolt, 3/8" UNF. x 2 1/2"	4	Series I and II
	9067036	Washer, 3/8" plain	8	Series I
	9067035	Washer, 3/8" plain	4	} Shock absorber to frame ...
A78	9067036	Washer, 3/8" plain	4	
A79	9664242	Washer, 3/8" shakeproof	4	} Series I and II
A80	5220703	Nut, 3/8" UNF. ...	4	
A81	9660241	Washer, 3/8" spring	2	} Link to rear axle
A82	5220703	Nut, 3/8" UNF. ...	2	
B83	5220764	SHOCK ABSORBER	2	Series III
	5220809	SHOCK ABSORBER c/w fixings	2	Series IV up to intro. 5221221
	5221221	SHOCK ABSORBER	2	Series V from B395003074
B84	K.25676	Mounting washer—Inner	2	} Upper fixings
B85	5038876	Mounting washer—Outer	4	
B86	5038875	Rubber bush	4	} Lower fixings
B87	5220703	Nut, 3/8" UNF.	2	
B88	9520060	Nut, 3/8" UNF. Lock	2	} Series III onwards
B89	9123802	Bush—Rubber—Lower fixings	4	
	9003261	Bolt, 1/8" UNF. x 1/2" wedglok	2	} Lower fixings
	9067483	Washer, 1/8" plain	2	
	2217076	Cover—Shock absorber	2	
		Note. Replacement Shock Absorbers are available in part exchange for the original.		
A90	9212031	REBOUND STRAP	2	Series I and II
AB91	P.65356	Buffer	2	} Series I and II
AB92	P.84636	Bracket—Buffer	2	
	19806101	Screw, 3/8" UNF. x 1 1/4"	4	} Buffer, bracket and strap to frame ...
	9664242	Washer, 3/8" shakeproof	4	
A93	P.53483	Lockwasher	4	
	19806101	Screw, 3/8" UNF. x 1 1/4"	4	} Series III onwards
	9664242	Washer, 3/8" shakeproof	4	
	9067414	Packing washer	4	

SUSPENSION — REAR

Plate Ref.	Part Number	DESCRIPTION	No. per Veh.	REMARKS

Publication No. 660992

SECTION T

RADIATOR—Series I and II

RADIATOR — Series I and II

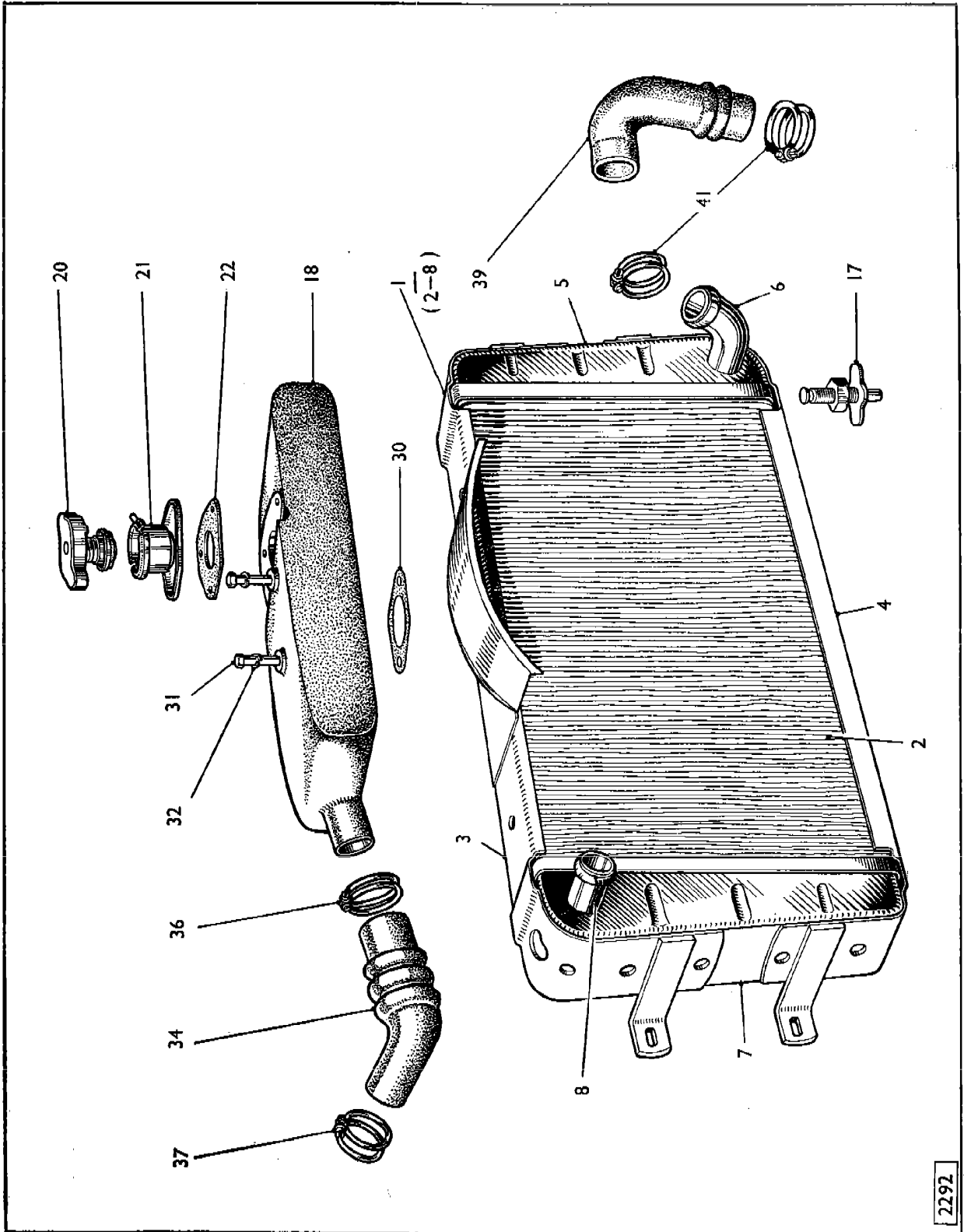


PLATE A — SECTION T

RADIATOR — Series I and II

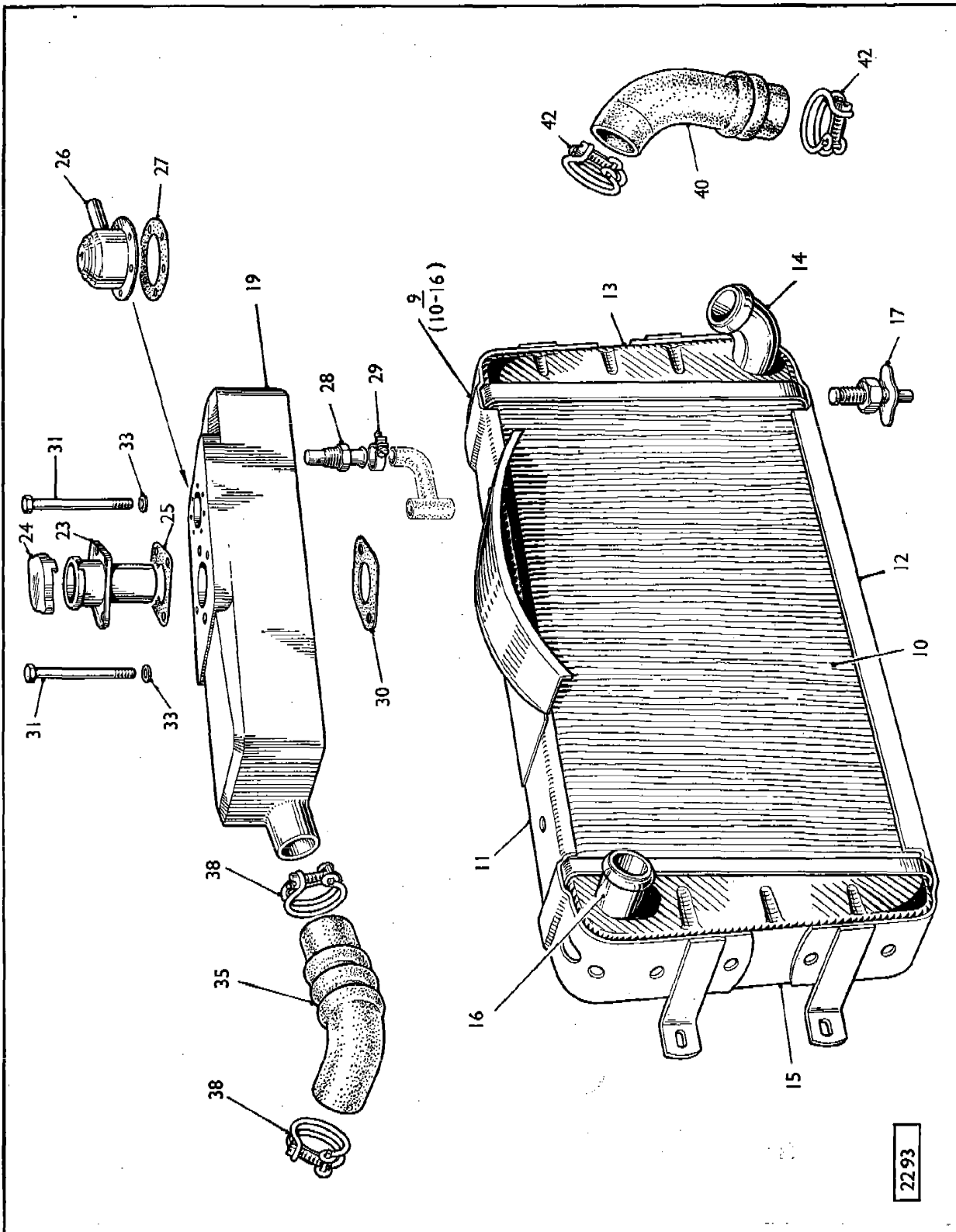


PLATE B — SECTION T

RADIATOR — Series I and II

Plate Ref.	Part Number	DESCRIPTION	No. per Veh.	REMARKS
	1201302	RADIATOR BLOCK (Core)	1	Superseded by 1201607 Series I
A1	1201607	RADIATOR BLOCK (Core)	1	
A2	1201309	Block c/w tube plates	1	Series I
A3	1201314	Top strap	1	
A4	1201318	Bottom strap	1	
	P.114428	Identification plate	1	
A5	1201304	Tank body	1	
	P.114373	Boss—Drain tap } O/S (R.H.)	1	
A6	P.115227	Outlet pipe	1	
A7	1201308	Tank body	1	
A8	1201305	Inlet pipe } N/S (L.H.)	1	
B9	1206058	RADIATOR BLOCK (Core)	1	Series II
B10	1201309	Block c/w tube plate	1	
B11	1201314	Top strap	1	
B12	1201318	Bottom strap	1	
	P.114428	Identification plate	1	
B13	1206060	Tank body	1	
	P.114373	Boss—Drain tap } O/S (R.H.)	1	
B14	1206057	Outlet pipe	1	
B15	1206061	Tank body	1	
B16	1206056	Inlet pipe } N/S (L.H.)	1	
	9166017	Overflow pipe	1	
	9179028	Clip } Overflow	2	
	9176527	Clip } Overflow	2	
AB17	9214001	Drain tap	1	
A18	1201480	EXPANSION BOX	1	
	1206948	EXPANSION BOX	1	
B19	1207031	EXPANSION BOX	1	
A20	K.21765	Filler cap	1	
A21	P.118901	Filler neck	1	
A22	P.118902	Gasket	1	
	19605042	Screw, $\frac{3}{8}$ " UNC. \times $\frac{1}{2}$ " } Filler neck	3	
	9067023	Washer, $\frac{3}{8}$ " plain } expansion box	3	
B23	1207035	Filler neck	1	
B24	1207036	Filler cap	1	
B25	1207040	Gasket	1	
	19604051	Screw, $\frac{1}{4}$ " UNC. \times $\frac{3}{8}$ " } to	2	
	9067015	Washer, $\frac{1}{4}$ " plain } expansion box	2	
B26	1207033	Relief valve (7 lb.)	1	
B27	1207034	Gasket	1	
	39803081	Screw, No. 10 UNC. \times $\frac{1}{2}$ " } Relief valve	6	
	9067007	Washer, No. 10 plain } expansion box	6	
B28	1207032	Hose connector—Expansion box	1	
B29	9781141	Clip—Hose to connector	1	
AB30	P.116888	Gasket	1	
AB31	19406301	Bolt, $\frac{3}{8}$ " UNC. \times $3\frac{1}{2}$ " } Expansion box to	2	
A32	9661241	Washer, $\frac{1}{8}$ " spring } thermostat housing	2	
B33	9067034	Washer, $\frac{3}{8}$ " plain } thermostat housing	2	

RADIATOR — Series I and II

Plate Ref.	Part Number	DESCRIPTION	No. per Veh.	REMARKS
A34	1201481	INLET HOSE	1	Series I
B35	1206038	INLET HOSE	1	Series II
A36	9782301	Clip	1	} Series I
A37	9782261	Clip } Inlet hose	1	
B38	9782321	Clip } ...	2	Series II
A39	1201320	OUTLET HOSE	1	Series I
B40	1206039	OUTLET HOSE	1	Series II
A41	9782261	Clip } Outlet	2	Series I
B42	9782321	Clip } hose	2	Series II
	19505041	Screw, $\frac{5}{16}$ " UNF. \times $\frac{1}{2}$ "	4	} Series I and II
	9067027	Washer, $\frac{5}{16}$ " plain	4	
	9664203	Washer, $\frac{5}{16}$ " shakeproof	4	
		BLUECOL—Anti-freeze		
	K.26788	1 pint		
	5112288	1½ pints		
	K.26789	2 pints		
	K.26791	1 gallon		
	K.26792	5 gallons		

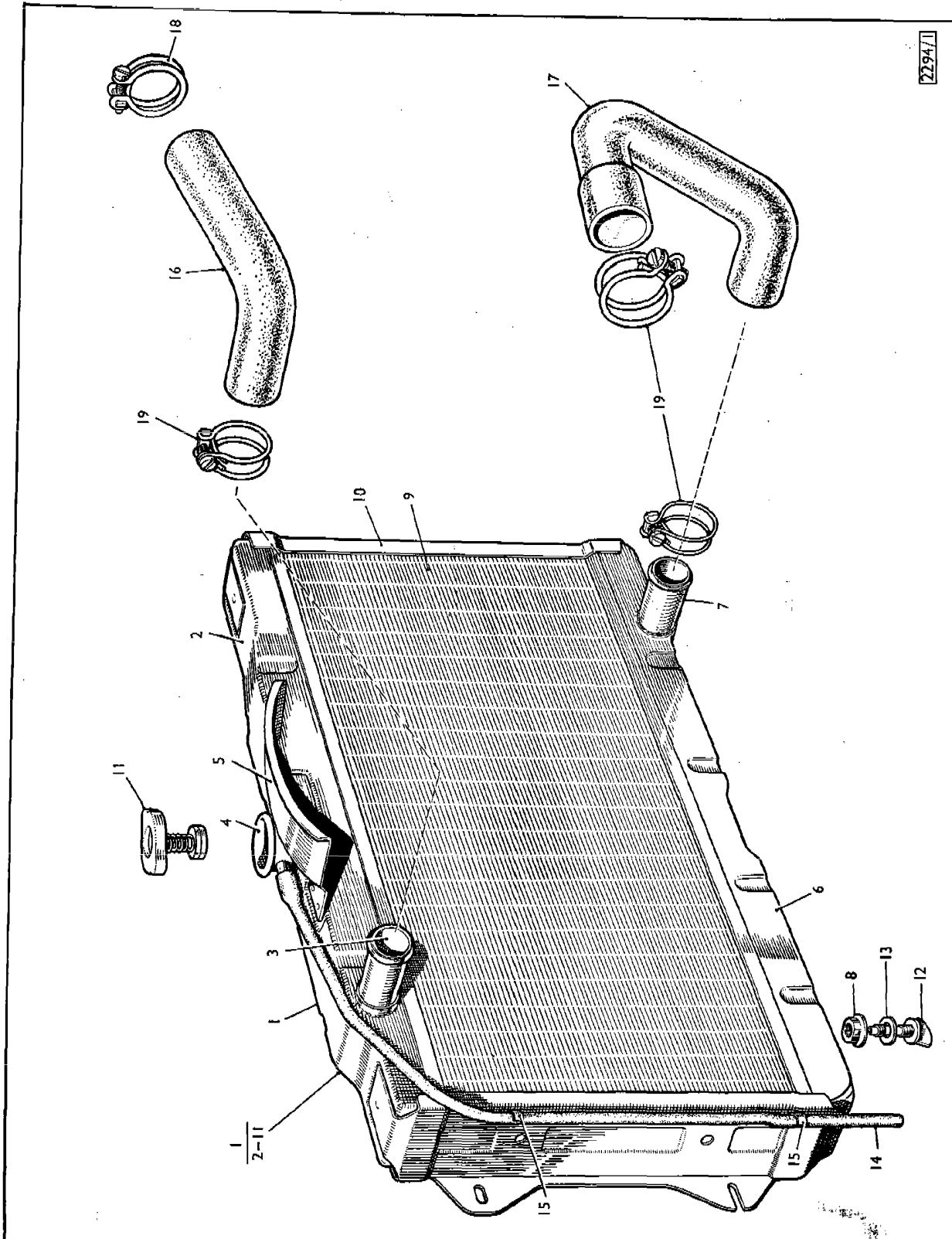
Publication No. 000592

SECTION TA

RADIATOR—Series III, onwards

Lit. 023

RADIATOR — Series III onwards



SECTION TA

Lit. 023

RADIATOR — Series III onwards

Plate Ref.	Part Number	DESCRIPTION	No. per Veh.	REMARKS
	1217466	RADIATOR BLOCK (Core)—2 ROW	1	Hot Territories only
	1206439 s/d by 1217405	RADIATOR BLOCK (Core)	1	Up to B9204157
	1217200 s/d by 1217405	RADIATOR BLOCK (Core)	1	From B9204158 up to 1217202
	1217202 s/d by 1217405	RADIATOR BLOCK (Core) See Data 2E/145	1	From B94100001 BU, B94600001 CKD up to B395004644
1	1217405 5221296	RADIATOR BLOCK (Core)	1	From B395004645
2	1216194	Top tank	1	
3	1216732	Top water pipe	1	
4	1217136	Filler neck and overflow stub	1	
	5220675 s/d by 1217136	Filler neck and overflow stub	1	
	1217139 s/d by 1224211	Guard—Fan	1	
5	1224211	Guard—Fan	1	
6	1216235	Bottom tank	1	
7	1216732	Bottom water pipe	1	
8	1216238	Boss } Drain	1	Up to B395004644
8	1217376	Boss } tap	1	From B395004645
	1216237 s/d by 1217203	Core	1	Up to 1217203
	1217203	Core	1	From B94100001 BU, B94600001 CKD up to B94102966
9	1217206	Core	1	From B94102967
10	1216236 s/d by 1217201	Side strap	2	Up to B9204157
	1217201	Side strap	2	From B9204158
11	5220487	Filler cap (9 lb.) pressure	1	
	9214001	Drain tap	1	Up to B395004644
12	1217377	Drain tap	1	
13	9122204	Washer, sealing	1	From B395004645
14	9233561	Overflow pipe	1	
15	9178502	Clip—Overflow pipe	2	
	19505061 s/d by 19505062	Screw, $\frac{1}{8}$ " UNF. \times $\frac{3}{4}$ "	4	
	9067027	Washer, $\frac{1}{8}$ " plain	4	} Radiator to support panel
	9664203	Washer, $\frac{1}{8}$ " shakeproof	4	
	5220680 s/d by 5220810	TOP WATER HOSE	1	Up to B9402537
16	5220810	TOP WATER HOSE	1	From B9402528
17	5220681	BOTTOM WATER JOSE	1	
18	9782321	Clip }	1	Up to B9402497
	9783301	Clip } Hose to water pump	1	From B9402498 up to B9406155
	9782321	Clip }	1	From B9406156
19	9782261	Clip—Hose to radiator and water pipe	3	
		BLUECOL—Anti-freeze		
	K.26788	1 pint	A/R	
	5112288	1½ pints	A/R	
	K.26789	2 pints	A/R	
	K.26791	1 gallon	A/R	
	K.26792	5 gallons	A/R	

RADIATOR — Series III onwards

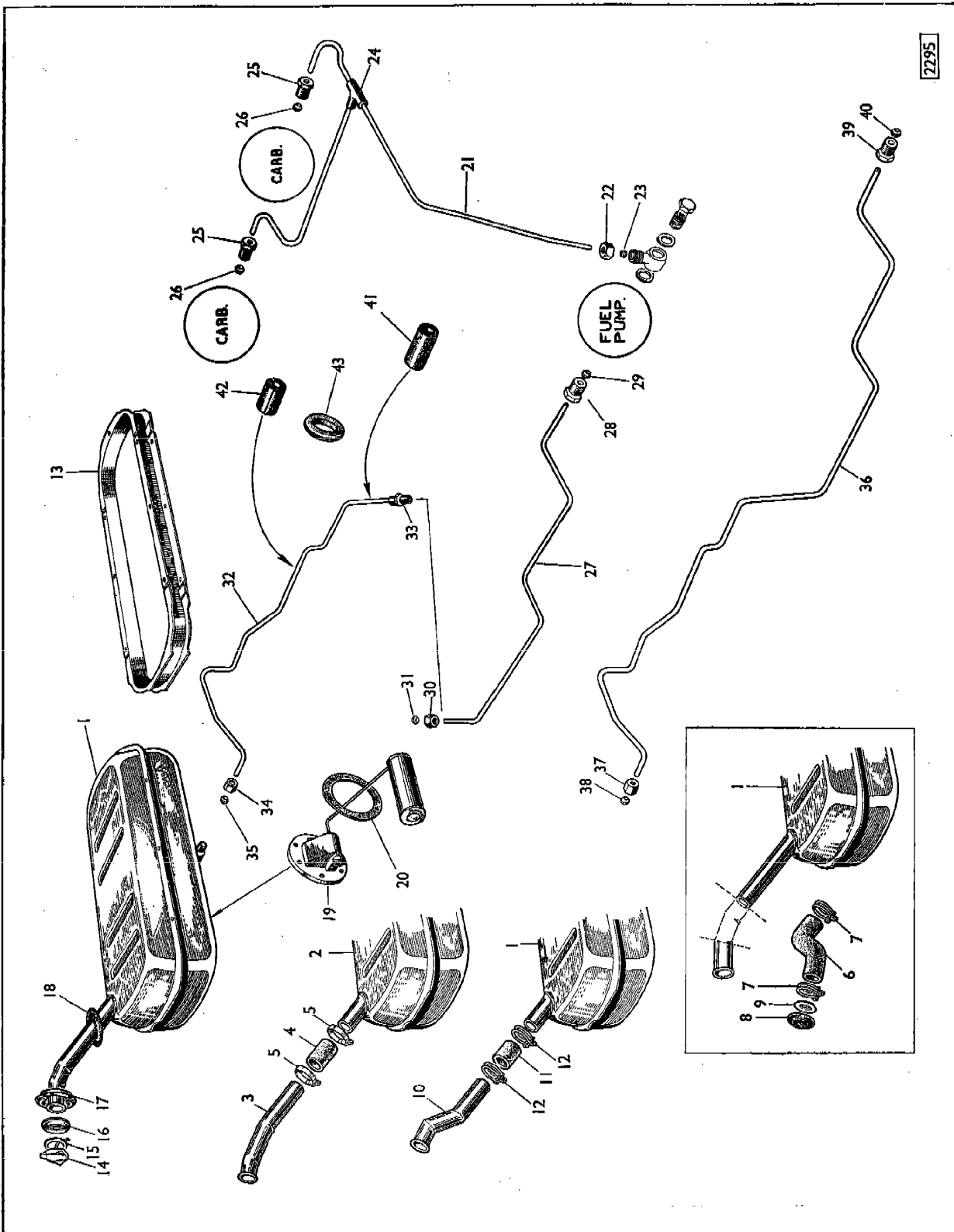
Plate Ref.	Part Number	DESCRIPTION	No. per Veh.	REMARKS

Publication No. 6600992

SECTION U

PETROL (Fuel) SYSTEM Series I & II

PETROL (Fuel) SYSTEM — Series I and II



SECTION U

PETROL (Fuel) SYSTEM — Series I and II

Plate Ref.	Part Number	DESCRIPTION	No. per Veh.	REMARKS
1	1201299 s/d by 1219501	*PETROL (Fuel) TANK	1	Up to 1206506
2	1206506 s/d by 1219501	PETROL (Fuel) TANK	1	From B9115001
	1219501	PETROL (Fuel) TANK See Data 2E/153	1	Special Export
		* Note. Standard Tank will be supplied for Series II Le-Mans, this will have to be modified with items marked † shown below.		
3	1206507	Filler neck—Petrol (Fuel) tank	1	} From B9115001
4	9166175 s/d by 9166156	Hose—Filler neck	1	
5	9780004	Clip—Hose	2	
6	1206623	§Hose—Filler pipe	1	} For use when using Series III rear wing panel 2225184 in lieu of 5240412 Series II No longer available
7	9782351	§Clip—Hose	2	
8	1206624	§Grommet—Petrol (Fuel) filler	1	
9	1206625	§Filler pipe flange	1	
10	2220945	†Filler pipe—Petrol (Fuel) tank	1	
11	9166176	†Hose—Filler pipe	1	
12	9782341	†Clip—Hose	2	} Le-Mans
13	1201224	Support—Petrol (Fuel) tank	1	} Up to B9115000 From B9115001 up to B9151900
	19505061 s/d by 19505062	Screw, $\frac{1}{8}$ " UNF. \times $\frac{3}{8}$ "	14	
	5220684	Screw, $\frac{1}{8}$ " UNF. \times $\frac{3}{8}$ "	14	
	9067023	Washer, $\frac{1}{8}$ " plain	7	
	9664203	Washer, $\frac{1}{8}$ " shakeproof	14	
	5220701	Nut, $\frac{1}{8}$ " UNF.	7	
	19105241	Screw, $\frac{1}{8}$ " \times 3"	7	
	9664203	Washer, $\frac{1}{8}$ " shakeproof	7	
	1206586	Distance piece	7	
	1201622 s/d by 1218016	Filler cap	1	
	1206006 s/d by 1218016	Filler cap	1	Up to B9106511
	1206212 s/d by 1218016	Filler cap	1	} From B9106512
14	1218016	Filler cap	1	
15	9079101	Washer—Filler cap	1	} Up to 1201585 From B9000100
	1201216 s/d by 1201585	Grommet } Top—	1	
	1201585	Grommet } Filler neck	1	
16	1201209 s/d by 1206260	Bezel } Filler	1	} Not required for Series II Le-Mans
17	1206260	Bezel } neck	1	
18	H.104883	Grommet—Bottom filler neck	1	} Home cars only up to 1046608 Home cars from B9000103 plus 003, 005 to 008, 056, 099 to 100 and all export
	9118527	Grommet—Petrol (Fuel) tank cable	1	
	1046717	PETROL (Fuel) GAUGE TANK UNIT	1	
	1046608	PETROL (Fuel) GAUGE TANK UNIT	1	
19	1046591 s/d by 3059885	PETROL (Fuel) GAUGE TANK UNIT with Lucar connectors	1	
20	5037342	Gasket—Tank unit	1	
	39902040 s/d by 39912041	Screw, No. 8 UNC. \times $\frac{1}{8}$ "—Tank unit to tank	6	

PETROL (Fuel) SYSTEM — Series I and II

Plate Ref.	Part Number	DESCRIPTION	No. per Veh.	REMARKS
	5220120 s/d by 5220094	PETROL (Fuel) PIPE } Pump to ...	1	
21	5220094	PETROL (Fuel) PIPE } Carburettor	1	
22	9156058	Nut } Pump	1	
23	9157106 s/d by 5220717	Olive } end ...	1	
24		"T" piece		Not supplied
25	9156529	Nut } Carburettor	2	
26	9157106 s/d by 5220717	Olive } end ...	2	
	1201474 s/d by 1206177	PETROL (Fuel) PIPE } Union	1	Up to B9010756
	1206164 s/d by 1206177	PETROL (Fuel) PIPE } Pump to union	1	
27	1206177	PETROL (Fuel) PIPE }	1	From B9010757 up to B9115000
28	9156529	Nut } Pump	1	
29	9157106 s/d by 5220717	Olive } end ...	1	
30	9156061	Nut } Union	1	
31	9157106 s/d by 5220717	Olive } end ...	1	
	1201475 s/d by 1206165	PETROL (Fuel) PIPE } Union	1	See Data 2E/104
32	1206165	PETROL (Fuel) PIPE } to tank	1	
33		Union		(Not supplied)
34	9156061	Nut } Petrol (fuel) tank	1	
35	9157106 s/d by 5220717	Olive } end ...	1	
36	1206518	PETROL (Fuel) PIPE—Pump to tank	1	
37	9156061	Nut } Petrol (Fuel)	1	
38	9157106 s/d by 5220717	Olive } tank end ...	1	
39	9156528	Nut } Petrol (Fuel)	1	
40	9157106 s/d by 5220717	Olive } pump end	1	
41	9166013 s/d by 9166010	Sleeve—Pipe to frame	6	
42	9122020	Sleeve ...	1	Up to 9116185
43	9116185	Grommet ...	2	From B9010757 up to B9115000
	P.103779	Clip—Petrol (Fuel) pipe pump to carburettor	1	

Publication No. 660992

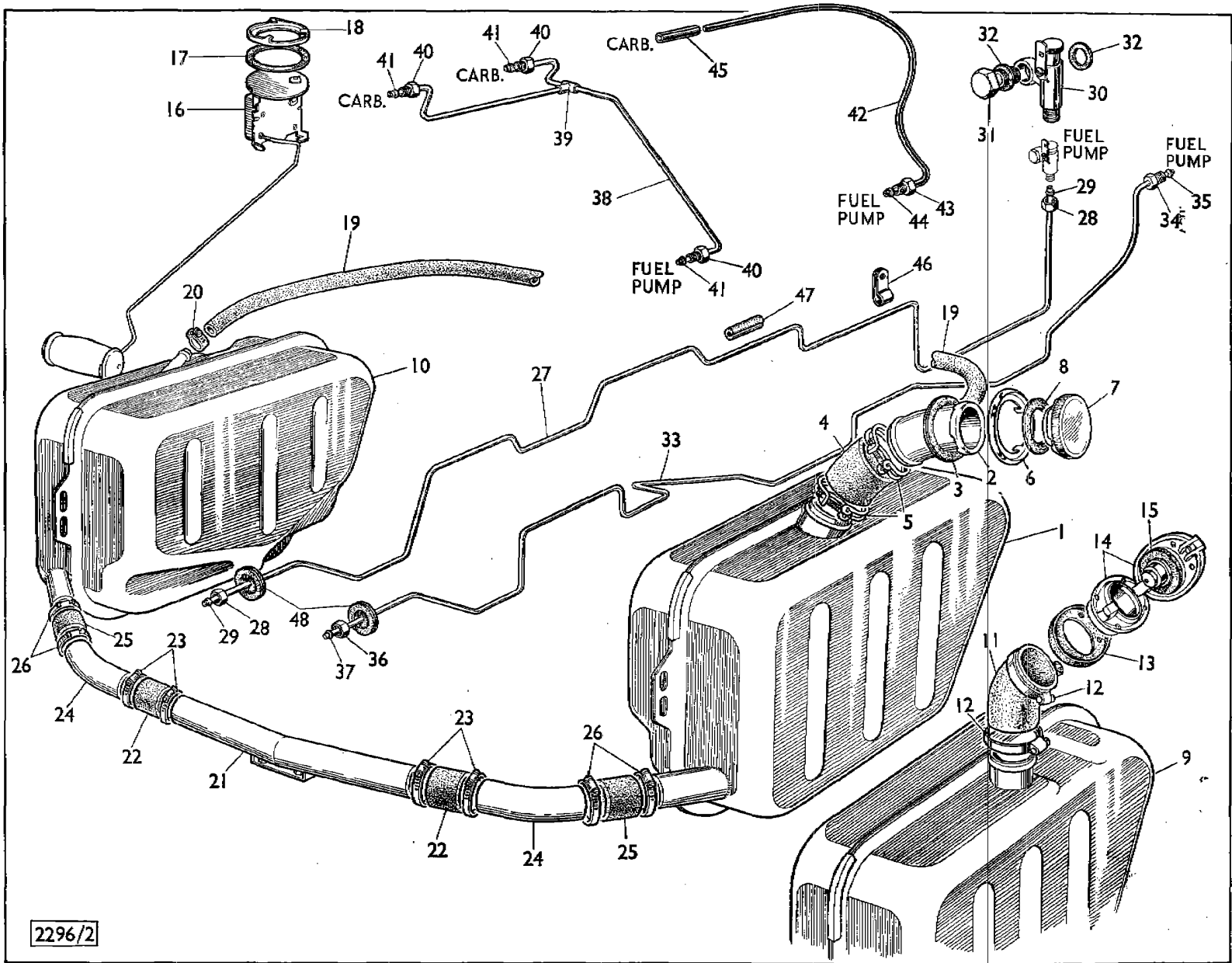
SECTION UA

PETROL (Fuel) SYSTEM

Series III, onwards

Lit. 023

PETROL (Fuel) SYSTEM — Series III onwards



2296/2

SECTION UA

Lit. 023

PETROL (Fuel) SYSTEM — Series III onwards

Plate Ref.	Part Number	DESCRIPTION	No. per Veh.	REMARKS
	1206332 s/d by 1219504	PETROL (Fuel) TANK—R.H.	1	} Series III
	1206333 s/d by 2235554	PETROL (Fuel) TANK—L.H.	1	
1	1219504	PETROL (Fuel) TANK—R.H.	1	} Series III Special export
	1219505 s/d by 2235554	PETROL (Fuel) TANK—L.H.	1	
2	19805052	Screw, $\frac{1}{8}$ " \times $\frac{3}{8}$ " UNF. Hex. hd. cone pt. } Petrol (Fuel) ...	4	} Series III No longer available
	9067027	Washer, $\frac{1}{8}$ " plain } tank fixing ...	4	
	9020031	Clip, retainer } (front) ...	4	
	19505052	Screw, $\frac{1}{8}$ " \times $\frac{3}{8}$ " UNF. hex. hd. }	4	
	9067027	Washer, $\frac{1}{8}$ " plain } Petrol (Fuel) tank	8	
	9661203	Washer, $\frac{1}{8}$ " spring } fixing (rear) ...	4	
	9510051	Nut, $\frac{1}{8}$ " UNF. }	4	
	1206464	Filler pipe—Petrol (Fuel) tank	1	
	2220716	Grommet—Filler neck	1	
	9166203	Hose—Filler	1	
	9780005	Clip—Hose	2	
	2220743	Bezel—Petrol (Fuel) filler	1	
	1206535	Filler cap	1	
	5042287	Gasket—Filler cap	1	
		1206755 s/d by 2235555	PETROL (Fuel) TANK—R.H.	
1219505 s/d by 2235554		PETROL (Fuel) TANK—L.H.	1	} Up to B382000000 "260"
9	2235555	PETROL (Fuel) TANK—R.H.	1	} From B395000001
10	2235554	PETROL (Fuel) TANK—L.H.	1	
11	19805052	Screw, $\frac{1}{8}$ " \times $\frac{3}{8}$ " UNF. hex. hd. cone pt. } Petrol (Fuel) ...	4	} Series IV onwards
	9067027	Washer, $\frac{1}{8}$ " plain } tank fixing ...	4	
	9020031	Clip, retainer } (front) ...	4	
	19505052	Screw, $\frac{1}{8}$ " UNF. \times $\frac{3}{8}$ " hex. hd. }	4	
	9067027	Washer, $\frac{1}{8}$ " plain } Petrol (Fuel) tank	8	
	9661203	Washer, $\frac{1}{8}$ " spring } fixing (rear) ...	4	
	9510051	Nut, $\frac{1}{8}$ " UNF. }	4	
	2226305	Hose—Filler cap	1	
	9782441	Clip—Hose to tank and neck	2	
	2226304	Seal—Filler to body	1	
	2226310	FILLER CAP AND NECK ASSEMBLY	1	
	5042288	Gasket—Filler cap	1	
	39313081	Screw, No. 10 UNF. \times $\frac{1}{4}$ " } Petrol filler ...	4	
	9663123	Washer, $\frac{3}{8}$ " shakeproof } to wing ...	4	
	1223569 s/d by 1238848	PETROL (Fuel) GAUGE TANK UNIT	1	
1238848	PETROL (Fuel) GAUGE TANK UNIT	1	From B395009550 G.T., B395009421 Std., B382002362 Tiger "260"	
5040662	Sealing ring	1	} Series III Series IV up to B9407422 See note * See note †	
5040663	Locking ring	1		
9166252	Breather pipe	1		
9780000	Clip—Breather pipe } Alternatives ...	2		
9782101	Clip—Breather pipe }	3		
1206336 s/d by 2239563	Balance pipe inner	1		
1206753 s/d by 2239563	Balance pipe inner	1		
2228999 s/d by 2239563	Balance pipe inner	1		
* Note. Series IV from B9407423 up to B395000000. "260" up to B382000000.				
2235552 s/d by 2239563	Balance pipe inner	1		See note †
† Note. Series V from B395000001. "260" from B382000001.				
9166175 s/d by 9166156	Hose—Balance pipe	2		
9780004	Clip—Hose	4		
1206340 s/d by 2239562	Balance pipe end	2		

PETROL (Fuel) SYSTEM—Series III onwards

Plate Ref.	Part Number	DESCRIPTION	No. per Veh.	REMARKS
	1206754 s/d by 2239562	Balance pipe end	2	Up to B395000000
24	2235553 s/d by 2239562	Balance pipe end	2	"250" up to B382000000 From B395000001 Series V "260" from B382000001
25	9166175 s/d by 9166156	Hose—Balance pipe end	2	
26	9780004	Clip—Hose	4	
	9067018	Washer, 1/4" plain	2	Petrol (Fuel) tank balance pipe
	9661163	Washer, 1/4" spring	2	
	19804052	Screw, 1/4" UNF. x 3/8" hex. hd.	2	to floor
27	1206548	PETROL (Fuel) PIPE—Balance pipe to tap	1	} Series III
28	9156081	Nut } Petrol	2	
29	5220717	Olive } pipe	2	
30	1216920	Petrol (Fuel) tap	1	
31	9159537	Banjo bolt ... } Balance pipe to pump	1	
32	P.49339	Washer—Fibre ... }	2	
33	1224295	PETROL (Fuel) PIPE—Balance pipe to Petrol (Fuel) Pump	1	} Series IV up to B9407422
34	9156529	Nut } Pump	1	
35	5220717	Olive } end	1	
36	9156061	Nut } Balance	1	
37	5220717	Olive } pipe end	1	
	1228732	PETROL (Fuel) PIPE—Balance pipe to Petrol (Fuel) Pump	1	} See Data 2A/340
	9156528	Nut (Steel)	1	
	9156529	Nut (Brass) } Pump end	1	} Series IV from B9407423 up to B395003168
	5220717	Olive	1	
	9156095	Nut, 1/2" UNF. } Balance pipe	1	
	9157183	Olive ... } end	1	
	9168045	PETROL (Fuel) PIPE—Balance pipe to Petrol (Fuel) Pump	1	} See Data 2A/340 From B395003169
	9119608	Grommet—Petrol (Fuel) pipe	4	
	9179216	Clip—Petrol (Fuel) pipe to clutch housing	1	
38	1214742	PETROL (Fuel) PIPE—Pump to carburettor	1	} Up to B9204718 Soft Top, B9203886 G.T. and B9250156 CKD S/Africa
39		"T" piece (Not supplied)		
40	9156529	Nut } Petrol (Fuel) pump	3	
41	5220717	Olive } to carburettor	3	
42	1218465 s/d by 9232015	PETROL (Fuel) PIPE ASSEMBLY—Pump to carburettor	1	} See Data 2A/331 See note *
43	9156533	Nut } Petrol (Fuel)	1	
44	9157148	Olive } pump end	1	
	9233705 s/d by 9166235	Connector—Petrol (Fuel) pipe—Carburettor end	1	See note †
		*Note. Fitted from B9204718 S/Top, B9203887 G/T & B9250157 CKD S/Africa up to B395000000 B.U., B395900000 CKD.		
		†Note. Fitted from B9204718 S/Top, B9203887 G/T & B9250157 CKD S/Africa up to B94103285.		
45	9166235	Connector—Petrol (Fuel) pipe—Carburettor end	1	} From B94103286 up to Series V
	9784083	Clip—Connector	1	
	1235181	PETROL (Fuel) PIPE ASSEMBLY—Pump to Carburettor	1	From B395000001 B.U., B395900001 CKD.
	1240036	Nut—Petrol (Fuel) pipe assembly	1	
	9176016	Clip—Petrol pipe to thermostat housing	1	From B395000001 B.U., B395900001 CKD.
	19503041	Bolt, No. 10 UNF. x 1/2"	1	
	9067011 s/d by 9096074	Washer, 3/8" plain	1	} Petrol (Fuel) pipe clip
	5220700	Nut, No. 10 UNF. x 1/2"	1	
46	9176009	Clip—Petrol (Fuel) pipe—Pump to carburettor	1	
47	9166010	Sleeve—Petrol (Fuel) pipe to frame	6	Up to B395003168
48	9119561	Grommet—Petrol (Fuel) pipe—Balance pipe to tap	1	

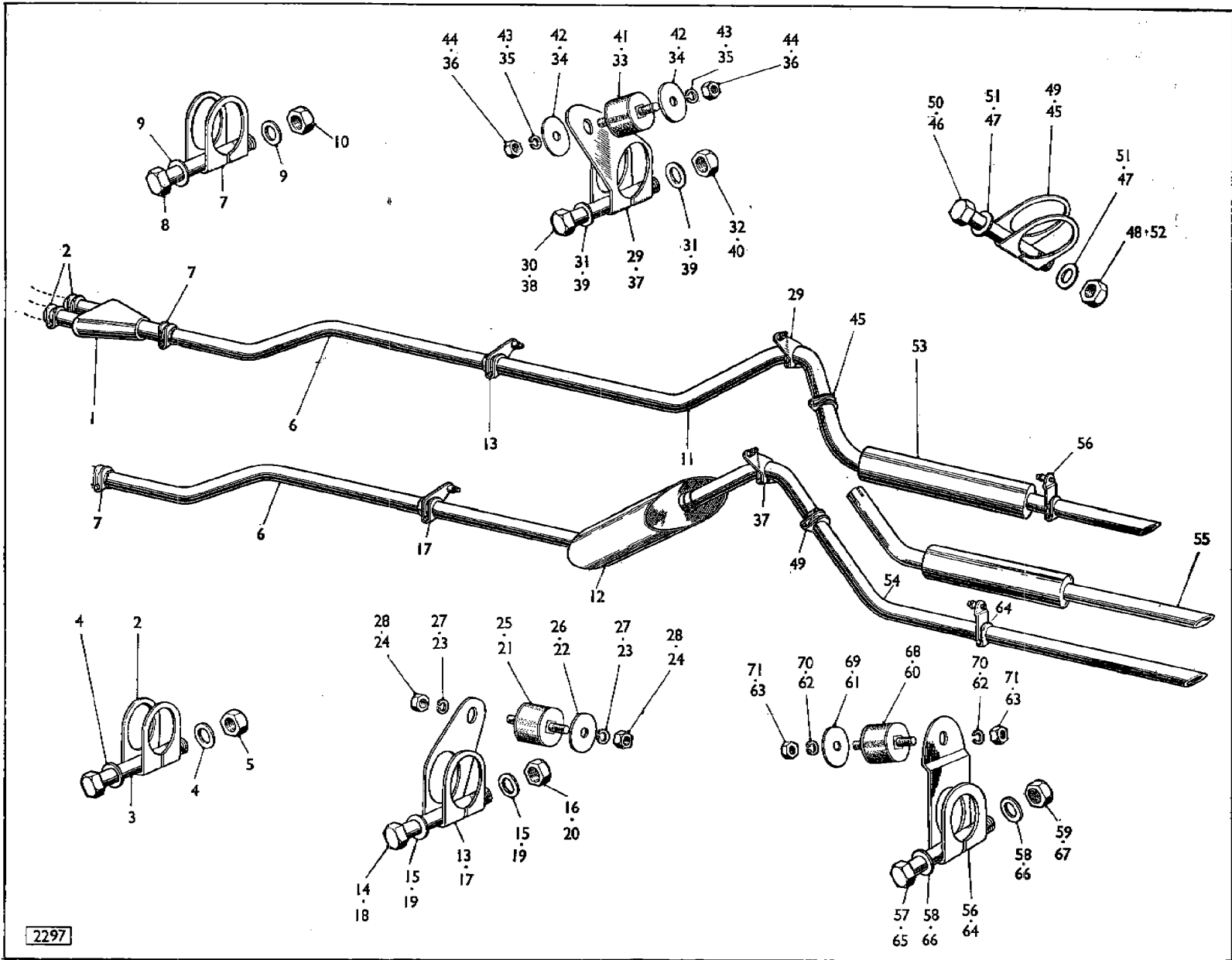
Publication No. 660092

SECTION V

EXHAUST SYSTEM

Series I and II

EXHAUST SYSTEM — Series I and II



EXHAUST SYSTEM — Series I and II

Plate Ref.	Part Number	DESCRIPTION	No. per Veh.	REMARKS
1	1201477	"Y" PIECE } Exhaust Manifold	1	} Superseded by 1224354
	1206216	"Y" PIECE } to	1	
	1224354	"Y" PIECE } Exhaust Pipe	1	
2	9181015	Clip	2	
3	19105221	Bolt, $\frac{1}{8}$ " UNF. \times 2 $\frac{1}{4}$ " } "Y" piece to	2	
4	9067023	Washer, $\frac{1}{8}$ " plain } exhaust manifold	4	
5	5220701	Nut, $\frac{1}{8}$ " UNF. }	2	
6	1201478	FRONT EXHAUST PIPE	1	
7	9181017	Clip	1	
8	19105241	Bolt, $\frac{1}{8}$ " UNF. \times 3" } Front exhaust pipe	1	
9	9067023	Washer, $\frac{1}{8}$ " plain } to "Y" piece	2	
10	5220701	Nut, $\frac{1}{8}$ " UNF. }	1	
11	1201479	REAR EXHAUST PIPE	1	Series I
12	1206141	INTERMEDIATE EXHAUST PIPE AND SILENCER (Muffler)	1	Series II
13	P.112054	Clip	1	
14	19105221	Bolt, $\frac{1}{8}$ " UNF. \times 2 $\frac{1}{4}$ " } Front to rear	1	} Series I
15	9067023	Washer, $\frac{1}{8}$ " plain } exhaust pipe	2	
16	5220701	Nut, $\frac{1}{8}$ " UNF. }	1	
17	P.112054	Clip	1	
18	19105221	Bolt, $\frac{1}{8}$ " UNF. \times 2 $\frac{1}{4}$ " } Front pipe to intermediate	1	} Series II
19	9067023	Washer, $\frac{1}{8}$ " plain } pipe and silencer (muffler)	2	
20	5220701	Nut, $\frac{1}{8}$ " UNF. }	1	
21	P.113421	Support rubber }	1	} Series I
22	9067045	Washer, $\frac{3}{8}$ " plain } Front and rear exhaust pipes	1	
23	9661241	Washer, $\frac{3}{8}$ " spring } to floor (cross brace)	2	
24	5220703	Nut, $\frac{3}{8}$ " UNF. }	2	
25	P.113421	Support rubber }	1	} Series II Up to 9067043 From B9115001
26	9067045	Washer, $\frac{3}{8}$ " plain } Front pipe and intermediate	1	
27	9067043	Washer, $\frac{3}{8}$ " plain } pipe and silencer (muffler) to	1	
28	9661241	Washer, $\frac{3}{8}$ " spring } floor (cross brace)	2	
29	5220703	Nut, $\frac{3}{8}$ " UNF. }	2	
30	P.112054	Clip	1	} Bend to suit, see illustration
31	19105221	Bolt, $\frac{1}{8}$ " UNF. \times 2 $\frac{1}{4}$ " }	1	
32	9067023	Washer, $\frac{1}{8}$ " plain }	2	
33	5220701	Nut, $\frac{1}{8}$ " UNF. } Rear exhaust pipe to	1	} Series I
34	P.113421	Support rubber } floor mounting bracket	1	
35	9067045	Washer, $\frac{3}{8}$ " plain }	2	
36	9661241	Washer, $\frac{3}{8}$ " spring }	2	
37	5220703	Nut, $\frac{3}{8}$ " UNF. }	2	
38	P.112054	Clip	1	} Bend to suit, see illustration
39	19105221	Bolt, $\frac{1}{8}$ " UNF. \times 2 $\frac{1}{4}$ " }	1	
40	9067023	Washer, $\frac{1}{8}$ " plain }	2	} Series II
41	5220701	Nut, $\frac{1}{8}$ " UNF. } Intermediate pipe and	1	
42	P.113421	Support rubber } silencer (muffler) to	1	} Series II Up to 9067043 From B9115001
43	9067045	Washer, $\frac{3}{8}$ " plain } floor mounting bracket	1	
44	9067043	Washer, $\frac{3}{8}$ " plain }	2	
45	9661241	Washer, $\frac{3}{8}$ " spring }	2	
46	5220703	Nut, $\frac{3}{8}$ " UNF. }	2	
47	9181019	Clip	1	} Series I
48	19105281	Bolt, $\frac{1}{8}$ " UNF. \times 3 $\frac{1}{2}$ " } Rear exhaust pipe	1	
49	9067023	Washer, $\frac{1}{8}$ " plain } to silencer (muffler)	2	
50	5220701	Nut, $\frac{1}{8}$ " UNF. }	1	

EXHAUST SYSTEMS I and II

Plate Ref.	Part Number	DESCRIPTION	No. per Veh.	REMARKS
49	9181019	Clip	1	Series II
50	19105281	Bolt, $\frac{5}{16}$ " UNF. \times $3\frac{1}{2}$ "	1	
51	9067023	Washer, $\frac{5}{16}$ " plain	2	
52	5220701	Nut, $\frac{5}{16}$ " UNF.	1	
53	1201565	SILENCER (Muffler) c/w Tail pipe	1	Series I
	1206011	SILENCER (Muffler) c/w Tail pipe (Switzerland and Germany)	1	
54	1206142	TAIL PIPE	1	Series II. Alternatives check illustration when ordering
55	1206143	SILENCER (Muffler) SECONDARY c/w Tail pipe	1	
56	1201488	Clip	1	Series I
57	19105221	Bolt, $\frac{5}{16}$ " UNF. \times $2\frac{3}{4}$ "	1	
58	9067023	Washer, $\frac{5}{16}$ " plain	2	
59	5220701	Nut, $\frac{5}{16}$ " UNF.	1	
60	P.113421	Support rubber	1	
61	9067043	Washer, $\frac{3}{8}$ " plain	1	
62	9661241	Washer, $\frac{3}{8}$ " spring	2	
63	5220703	Nut, $\frac{3}{8}$ " UNF.	2	
64	1201488	Clip	1	Series II
65	19105221	Bolt, $\frac{5}{16}$ " UNF. \times $2\frac{3}{4}$ "	1	
66	9067023	Washer, $\frac{5}{16}$ " plain	2	
67	5220701	Nut, $\frac{5}{16}$ " UNF.	1	
68	P.113421	Support rubber	1	
69	9067043	Washer, $\frac{3}{8}$ " plain	1	
70	9661241	Washer, $\frac{3}{8}$ " spring	2	
71	5220703	Nut, $\frac{3}{8}$ " UNF.	2	

Publication No. 6600992

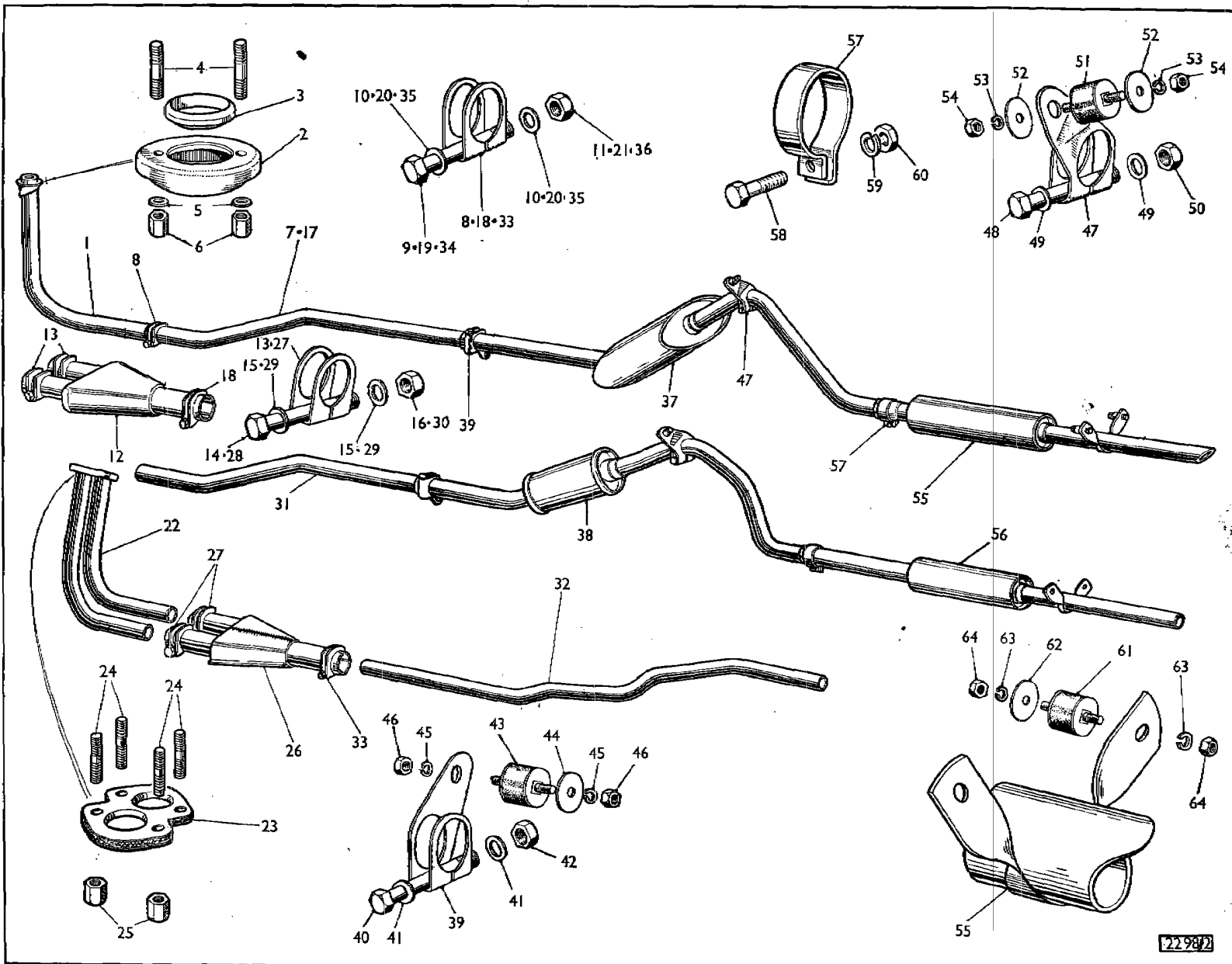
SECTION VA

EXHAUST SYSTEM

Series III onwards

3rd Issue

EXHAUST SYSTEM Series III onwards



SECTION VA

EXHAUST SYSTEM — Series III onwards

Plate Ref.	Part Number	DESCRIPTION	No. per Veh.	REMARKS
1	1206408	EXHAUST DOWN PIPE	1	Series III S/Top Models with Micro element air cleaner and all Series III G.T. Models up to B9204717 S/Top and B9203886 G.T. B9250157 CKD S/Africa
2	P.112056	Flange—Exhaust down pipe	1	
3	1215425	Joint—Flange	1	
4	29900249	Stud—Special, $\frac{3}{8}$ " UNF. \times $2\frac{1}{2}$ " } Exhaust manifold	2	
5	9067037	Washer, $\frac{3}{8}$ " plain to	2	
6	9029141	Nut, $\frac{3}{8}$ " UNF. } Exhaust down pipe	1	
7	1201478	* FRONT EXHAUST PIPE	1	
8	9181017	s/d by 9181038 Clip	1	
9	19105241	Bolt, $\frac{5}{16}$ " UNF. \times 3" } Exhaust down pipe	1	
10	9067023	Washer, $\frac{5}{16}$ " plain } to front exhaust pipe	2	
11	5220701	Nut, $\frac{5}{16}$ " UNF. }	1	
	1206408	EXHAUST DOWN PIPE	1	Series III G.T. from B9203887 and B9250158 CKD S/Africa
	P.112056	Flange—Exhaust down pipe	1	
	1215425	Joint—Flange	1	
	29900249	Stud—Special, $\frac{3}{8}$ " UNF. \times $2\frac{1}{2}$ " } Exhaust manifold	2	
	9067037	Washer, $\frac{3}{8}$ " plain to	2	
	9029141	Nut, $\frac{3}{8}$ " UNF. } exhaust down pipe	1	
	1201478	FRONT EXHAUST PIPE	1	
	9181017	s/d by 9181038 Clip	1	
	19105241	Bolt, $\frac{5}{16}$ " UNF. \times 3" } Exhaust down pipe	1	
	9067023	Washer, $\frac{5}{16}$ " plain } to front exhaust pipe	2	
	5220701	Nut, $\frac{5}{16}$ " UNF. }	1	
12	1206216	s/d by 1224354 "Y" PIECE } Exhaust manifold	1	Series III S/Top Models with Standard air cleaners up to B9204717 and B9250157 CKD S/Africa
	1224354	"Y" PIECE } to exhaust pipe	1	
13	9181015	s/d by 9181039 Clip	2	
14	19105221	Bolt, $\frac{5}{16}$ " UNF. \times $2\frac{1}{2}$ " } Exhaust manifold	2	
15	9067023	Washer, $\frac{5}{16}$ " plain to "Y" piece	4	
16	5220701	Nut, $\frac{5}{16}$ " UNF.	2	
17	1201478	FRONT EXHAUST PIPE	1	
18	9181017	s/d by 9181038 Clip	1	
19	19105241	Bolt, $\frac{5}{16}$ " UNF. \times 3" } "Y" piece to	1	
20	9067023	Washer, $\frac{5}{16}$ " plain front exhaust pipe	2	
21	5220701	Nut, $\frac{5}{16}$ " UNF.	1	
	1206216	s/d by 1224354 "Y" PIECE } Exhaust manifold	1	Series III S/Top Models from B9204718 and B9250158 CKD S/Africa
	1224354	"Y" PIECE } to exhaust pipe	1	
	9181015	s/d by 9181039 Clip	2	
	19105221	Bolt, $\frac{5}{16}$ " UNF. \times $2\frac{1}{2}$ " } Exhaust manifold	2	
	9067023	Washer, $\frac{5}{16}$ " plain to "Y" piece	4	
	5220701	Nut, $\frac{5}{16}$ " UNF.	2	
	1201478	FRONT EXHAUST PIPE	1	
	9181017	s/d by 9181038 Clip	1	
	19105241	Bolt, $\frac{5}{16}$ " UNF. \times 3" } "Y" piece to	1	
	9067023	Washer, $\frac{5}{16}$ " plain front exhaust pipe	2	
	5220701	Nut, $\frac{5}{16}$ " UNF.	1	

Note. Micro element air cleaner can be fitted to Series III cars with either S/Top or G.T. exhaust systems after B9204718 S/Top and B9203887 G.T. therefore to clarify the position the above parts are listed twice.

EXHAUST SYSTEM - Series III onwards

Plate Ref.	Part Number	DESCRIPTION	No. per Veh.	REMARKS
22	1224377	EXHAUST DOWN PIPE (Twin) ...	1	Series IV and V
23	1218655	Joint ... Exhaust Manifold ...	1	
24	29705123	Stud, $\frac{5}{16}$ " \times 1 $\frac{1}{4}$ " UNF. ... to ...	4	
25	9029207	Nut, $\frac{5}{16}$ " UNF. ... Exhaust down pipe ...	4	
26	1224354	"Y" PIECE ...	1	
27	9181015 9181039	s/d by 9181039 Clip ... Exhaust down pipe ...	2 2	Up to intro. 9181039 From B395013089
28	19105221	Bolt, $\frac{5}{16}$ " UNF. \times 2 $\frac{1}{4}$ " ... to ...	2	Series IV and V
29	9067023	Washer, $\frac{5}{16}$ " plain ... "Y" piece ...	4	
30	5220701	Nut, $\frac{5}{16}$ " UNF. ...	2	
31	1201478	FRONT EXHAUST PIPE (Standard transmission) ...	1	Series IV
32	1223598	FRONT EXHAUST PIPE (Automatic transmission) ...	1	
33	9181017 9181038	s/d by 9181038 Clip ... "Y" piece to ...	1 2	Series IV and V up to intro. 9181038 From B395013089
34	19105241	Bolt, $\frac{5}{16}$ " UNF. \times 3" ... front exhaust pipe ...	1	Series IV and V
35	9067023	Washer, $\frac{5}{16}$ " plain ...	2	
36	5220701	Nut, $\frac{5}{16}$ " UNF. ...	1	
37	1206512	s/d by 1236476 INTERMEDIATE EXHAUST PIPE & SILENCER (Muffler) ...	1	Series III and IV
38	1237331	INTERMEDIATE EXHAUST PIPE & SILENCER (Muffler) ...	1	Series V
	1236476	INTERMEDIATE EXHAUST PIPE & SILENCER (Muffler) ...	1	Series V Germany, Switzerland and France
39	P.112054	Clip ...	1	Series III and Series IV only; also Series V Germany, Switzerland and France Series V
40	19105221	Bolt, $\frac{5}{16}$ " UNF. \times 2 $\frac{1}{4}$ " ... Front pipe to intermediate ...	1	
41	9067023	Washer, $\frac{5}{16}$ " plain ... pipe and silencer (muffler) ...	2	
42	5220701	Nut, $\frac{5}{16}$ " UNF. ...	1	
43	P.113421	Support rubber ...	1	
44	9067043	Washer, $\frac{3}{8}$ " plain ... Front pipe and intermediate pipe and ...	1	
45	9661241	s/d by 5221254 Washer, $\frac{3}{8}$ " spring ... silencer (muffler) to floor (cross brace) ...	2	
46	5220703	Nut, $\frac{3}{8}$ " UNF. ...	2	
47	1223574	Clip ...	1	
48	19105241	Bolt, $\frac{5}{16}$ " UNF. \times 3" ...	1	
49	9067023	Washer, $\frac{5}{16}$ " plain ...	2	
50	5220701	Nut, $\frac{5}{16}$ " UNF. ... Intermediate pipe and ...	1	
51	P.113421	Support rubber ... silencer (muffler) to floor... ...	1	
52	9067043	Washer, $\frac{3}{8}$ " plain ...	2	
53	9661241	s/d by 5221254 Washer, $\frac{3}{8}$ " spring ...	2	
54	5220703	Nut, $\frac{3}{8}$ " UNF. ...	2	
55	1206513	SILENCER (Muffler) SECONDARY c/w TAIL PIPE ...	1	
56	1237332	SILENCER (Muffler) SECONDARY c/w TAIL PIPE ...	1	
57	9182041	Clip ...	1	
58	19505061	s/d by 19505062 Bolt, $\frac{5}{16}$ " UNF. \times $\frac{3}{4}$ " ... Silencer (muffler) secondary c/w ...	1	
59	9661201	s/d by 9661203 Washer, $\frac{5}{16}$ " spring ... tail pipe to front silencer (muffler) ...	1	
60	5220701	Nut, $\frac{5}{16}$ " UNF. ...	1	
61	P.113421	Support rubber ...	2	
62	9067043	Washer, $\frac{3}{8}$ " plain ... Silencer (muffler) secondary ...	2	
63	9661241	s/d by 5221254 Washer, $\frac{3}{8}$ " spring ... c/w tail pipe to body ...	4	
64	5220703	Nut, $\frac{3}{8}$ " UNF. ...	4	

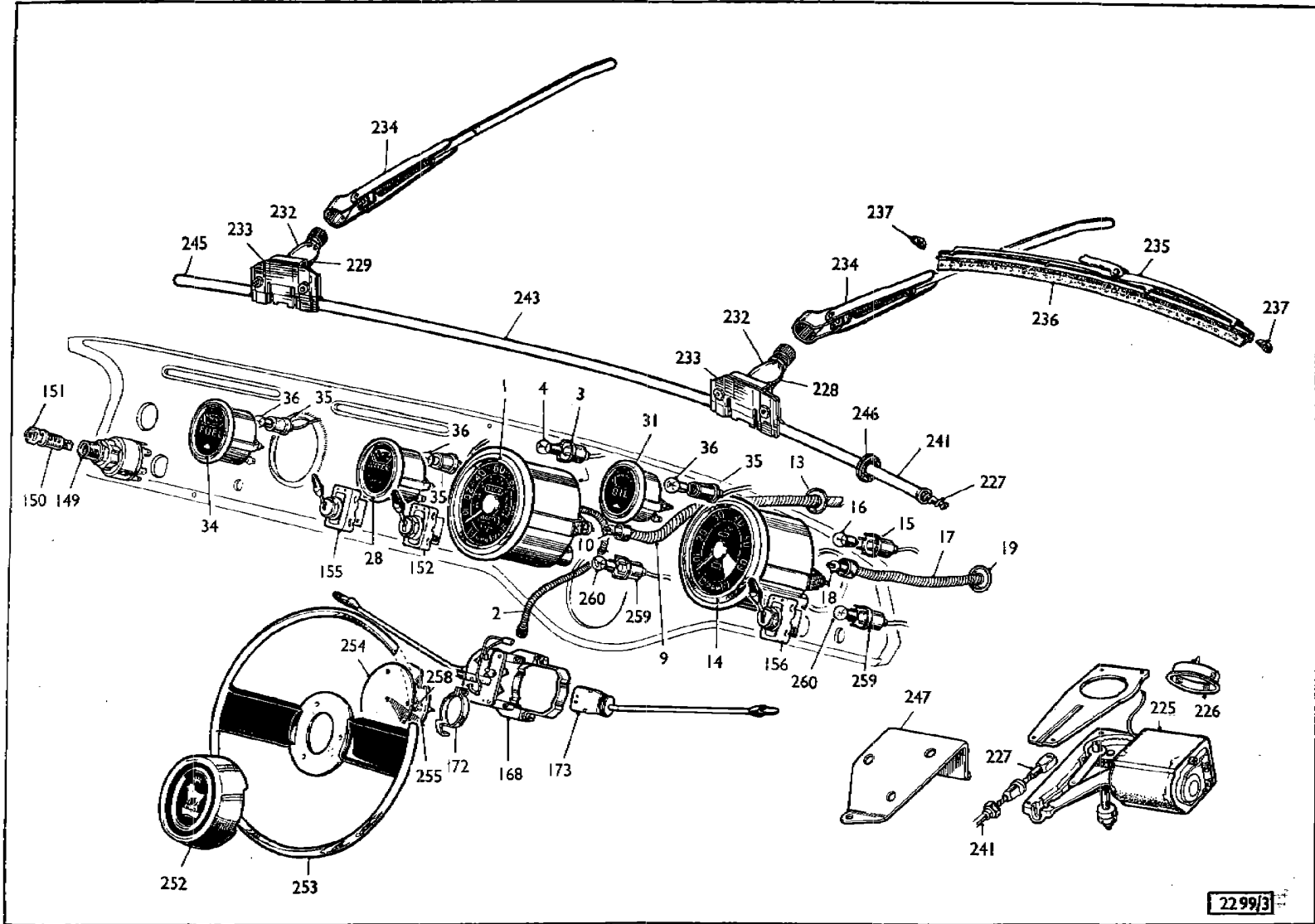
Publication No. 660992

SECTION W

ELECTRICAL EQUIPMENT

Lit. 023

ELECTRICAL EQUIPMENT



2299/3

PLATE A — SECTION W

Lit. 023

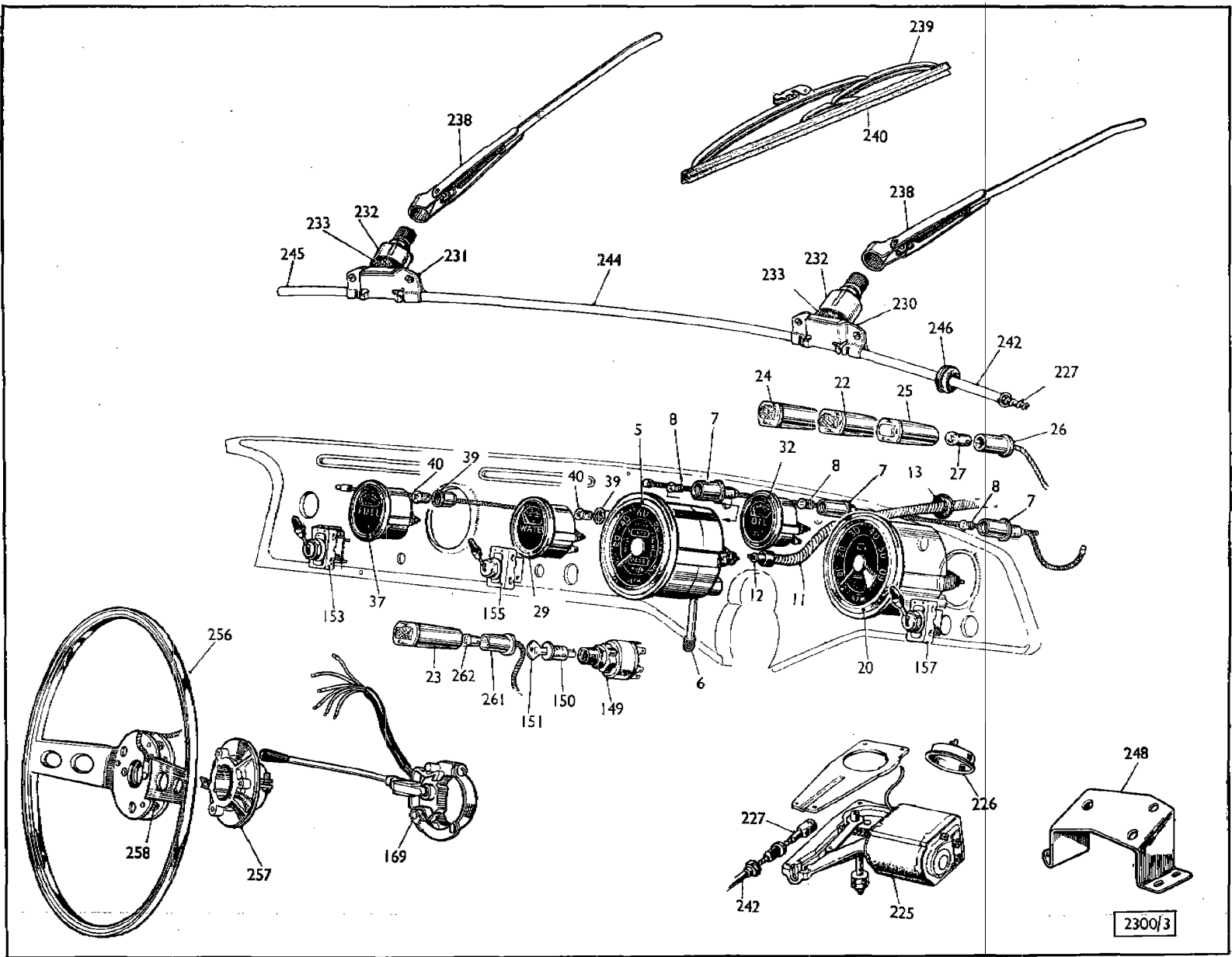
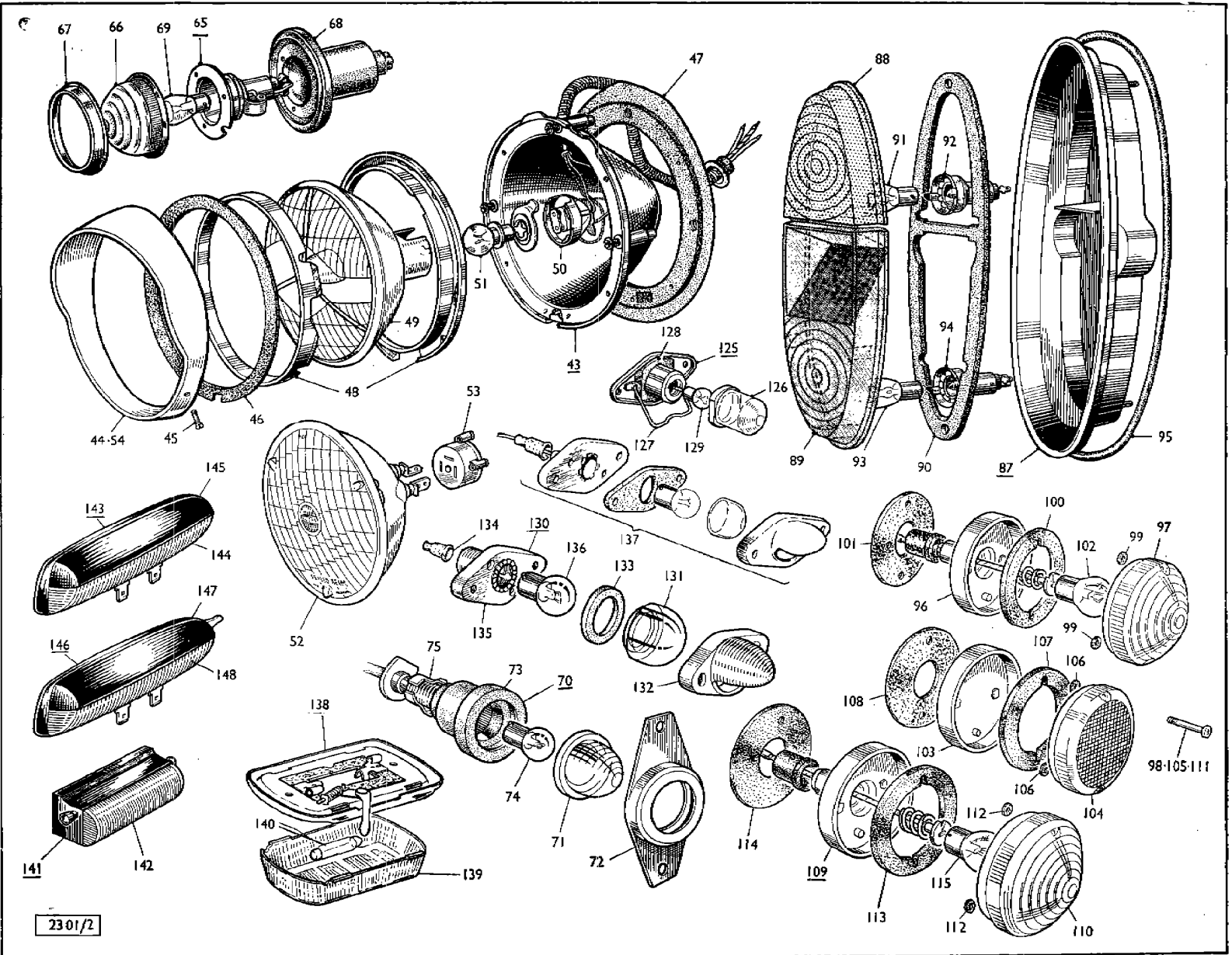


PLATE B — SECTION W

Lit. 023

2300/3



23 01/2

PLATE C — SECTION W

Lit. 023

ELECTRICAL EQUIPMENT

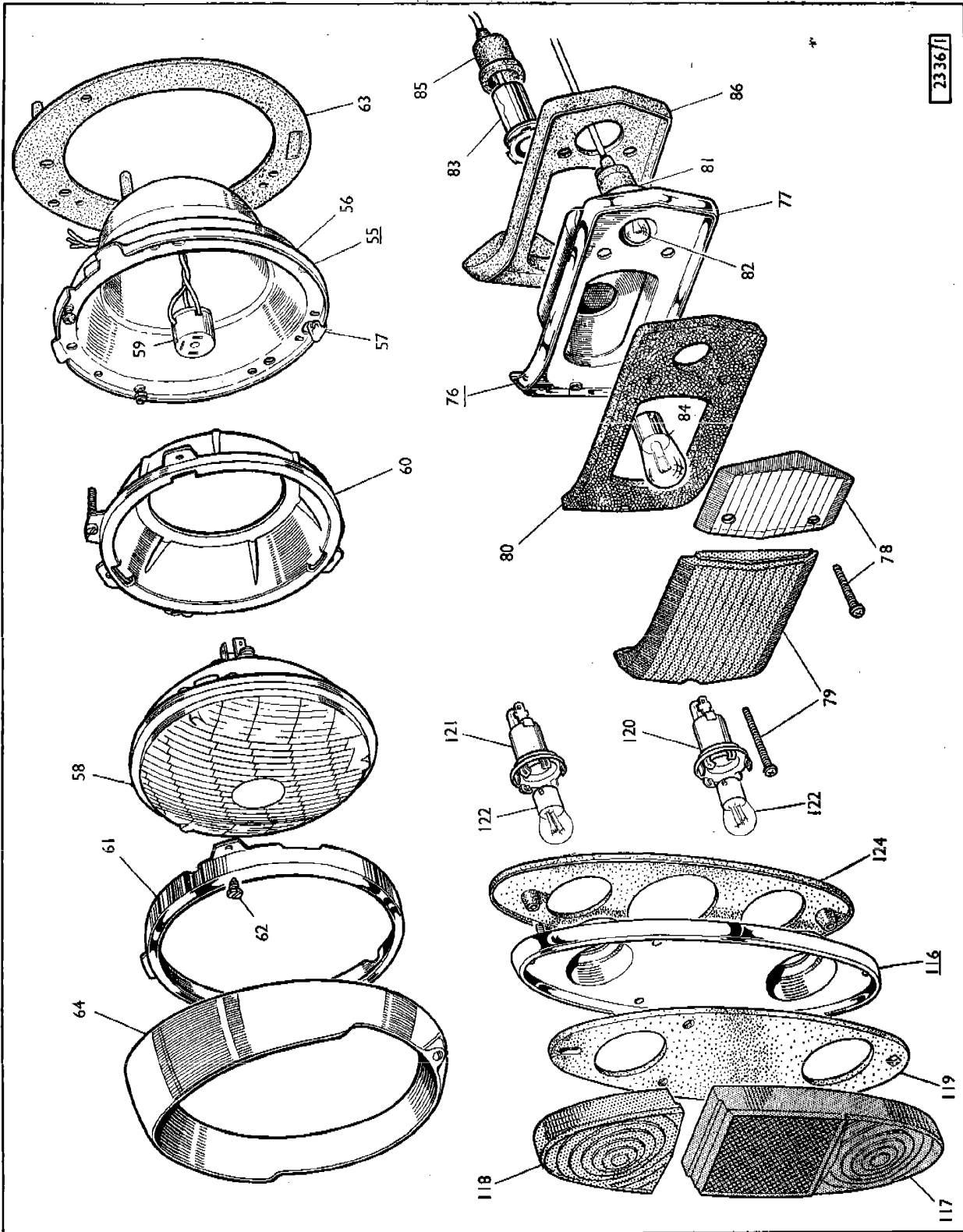
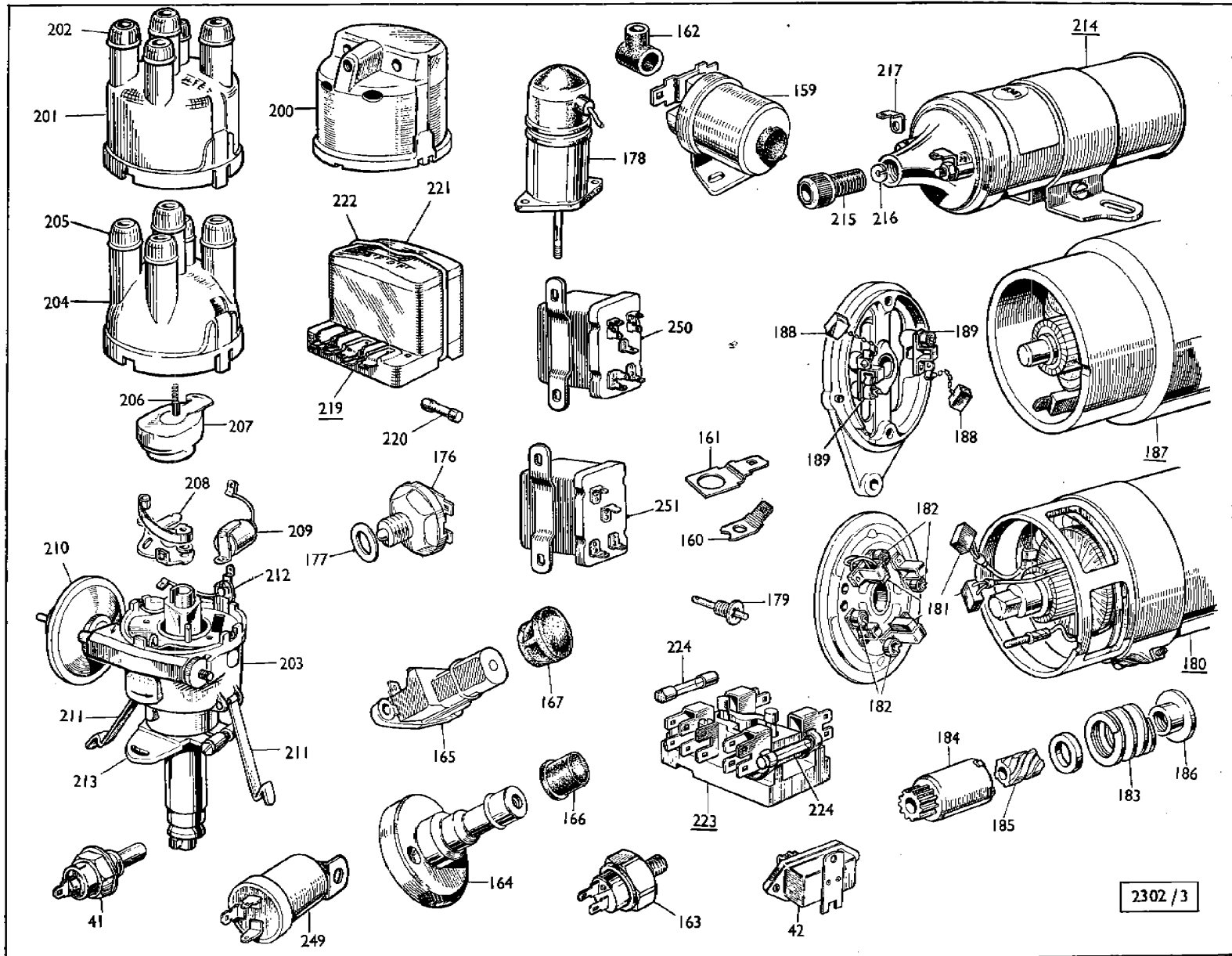


PLATE D — SECTION W

Lit. 023



2302 / 3

PLATE E — SECTION W

Lit. 023

ELECTRICAL EQUIPMENT

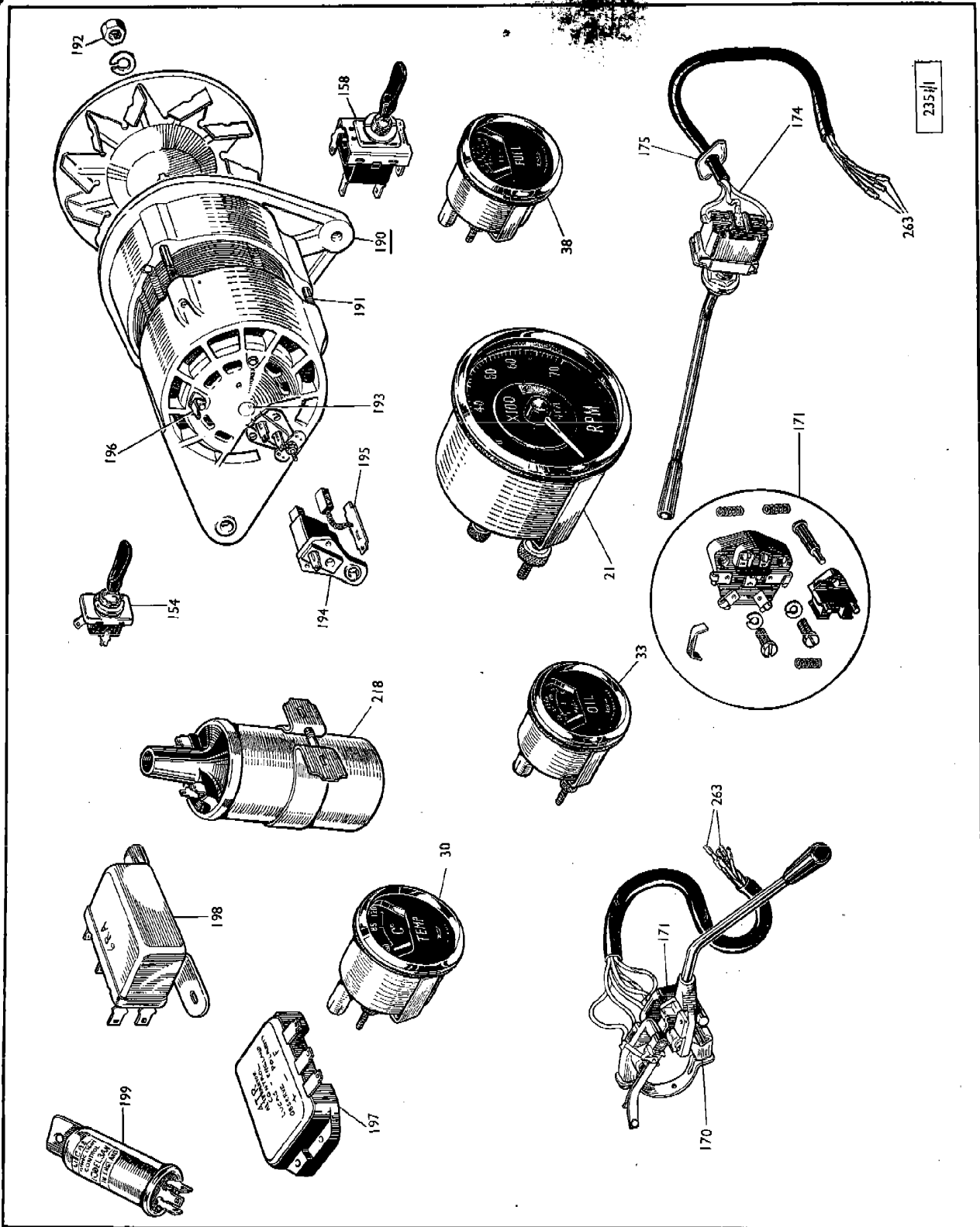


PLATE F — SECTION W

Lit. 023

MECHANICAL EQUIPMENT

Plate Ref.	Part Number	DESCRIPTION	No. per Veh.	REMARKS		
INSTRUMENTS						
A1	1046560 s/d by 1046609	SPEEDOMETER—M.P.H. } SN6117/00	1	Up to B9105974 No longer available		
	1046609	SPEEDOMETER—M.P.H. Standard SN6117/01	1			
	1206264	SPEEDOMETER—M.P.H. transmission SN6117/11	1			
	1046611 s/d by 1046612	SPEEDOMETER—K.P.H. without SN6117/03	1			
	1046612	SPEEDOMETER—K.P.H. Overdrive SN6117/04	1			
	1206265	SPEEDOMETER—K.P.H. } SN6117/12	1			
	1046610	SPEEDOMETER—M.P.H. Standard SN6117/02	1			
	1206264	SPEEDOMETER—M.P.H. transmission SN6117/11	1			
	1046613	SPEEDOMETER—K.P.H. with SN6117/05	1			
	1206265	SPEEDOMETER—K.P.H. Overdrive SN6117/12	1			
	A2	5038012	Trip cable—Speedometer 41-741-150-53		1	Series I and II
	A3	5037338	Bulb holder Panel 41-761-111-36		1	
	A4	K.26785	Bulb, 12 volt, 2·2 watt } lights L987		1	
			Bulb holder } Warning } See Chassis			
		Bulb ... } lights ... } Harness				
B5	1217909	SPEEDOMETER—M.P.H. } Standard transmission SN5324/16	1	Series III		
	1217910 s/d by 1223588	SPEEDOMETER—K.P.H. without Overdrive ... SN5324/17	1			
	1218031	SPEEDOMETER—M.P.H. Standard transmission SN5324/18	1			
	1218032	SPEEDOMETER—K.P.H. with Overdrive ... SN5324/19	1			
	5038012	Trip cable—Speedometer 41-741-150-53	1			
B5	1223587	SPEEDOMETER—M.P.H. } SN5324/25	1	Series IV up to B94100000 BU, B94600000 CKD.		
	1223588	SPEEDOMETER—K.P.H. Standard SN5324/26	1			
			transmission			
			without Overdrive ... 5324/33		1	
	1224524	SPEEDOMETER—M.P.H. } 5324/34	1	Series IV from B94100001 BU, B94600001 CKD.		
	1224525	SPEEDOMETER—K.P.H. } 5324/34	1			
B6	1223540	SPEEDOMETER—M.P.H. } Standard transmission SN5324/23	1	Series IV		
	1223541	SPEEDOMETER—K.P.H. with Overdrive ... SN5324/24	1			
	5042331	Trip cable—Speedometer 41-118-101-08	1			
	1224524	SPEEDOMETER—M.P.H. Automatic SN5324/33	1			
	1224525	SPEEDOMETER—K.P.H. transmission SN5324/34	1			
	5042291	Trip cable—Speedometer 41-118-101-02	1			
B6	1235840	SPEEDOMETER—M.P.H. } Standard transmission SN5324/50	1	Series V		
	1235841	SPEEDOMETER—K.P.H. without Overdrive ... SN5324/51	1			
	1235842	SPEEDOMETER—M.P.H. } SN5324/52	1			
	1235843	SPEEDOMETER—K.P.H. Overdrive SN5324/53	1			
	5044713	Trip cable—Speedometer 41-118-101-08	1			
B7	1206418	Bulb holder c/w cable—Instrument illumination	1	Series III and IV up to B9400100		
	K.26785	Bulb, 12 volt, 2·2 watt L987	3			
	1224302 s/d by 1206418	Bulb holder c/w cable—Speedometer, Oil gauge, Rev. counter illumination	1			
	K.26785	Bulb, 12 volt, 2·2 watt—Oil gauge and Speedometer ... L987	2			
B8	5042230 s/d by K26785	Bulb, 12 volt, 3·6 watt—Rev. counter L984	1	Series IV from B9402482		
B7	1206418	Bulb holder c/w cable—Instrument illumination	1	Series IV from B9402483 onwards		
B8	K.26785	Bulb, 12 volt, 2·2 watt L987	3			

ELECTRICAL EQUIPMENT

Plate Ref.	Part Number	DESCRIPTION	No. per Veh.	REMARKS
		INSTRUMENTS—continued		
A9	P.46376 s/d by P.46249	Speedometer cable, 69" long	1	
A10	5030240	Inner cable ...	1	
	1203225 s/d by P.46249	Speedometer cable, 66" long	1	
	K.30119	Inner cable ...	1	
B11	P.46249	Speedometer cable, 66" long	1	} Std. transmission } Series without O/drive & } I, II, Auto. transmission } III,IV
B12	K.30119	Inner cable ...	1	
	P.46249	Speedometer cable, 66" long	1	} Std. transmission without O/drive up to B395002182 (Series V)
	K.30119	Inner cable ...	1	
	1238811	Speedometer cable, 63" long	1	} Std. transmission without O/drive from B395002183
	5044765	Inner cable ...	1	
	P.45508	Speedometer cable, 72" long	1	} Std. transmission with O/drive up to B395002178
	K.25673	Inner cable ...	1	
	P.46249	Speedometer cable, 66" long	1	} Std. transmission with O/drive from B395002179
	K.30119	Inner cable ...	1	
	P.45621	Speedometer cable, 84" long	1	} Std. transmission without O/drive up to B395002175
	K.25674	Inner cable ...	1	
	1207811	Speedometer cable, 75" long	1	} Std. transmission without O/drive from B395002176
	5038484	Inner cable ...	1	
	P.45621	Speedometer cable, 84" long	1	} Std. transmission with O/drive up to B395002181
	K.25674	Inner cable ...	1	
	1205771	Speedometer cable, 81" long	1	} Std. transmission with O/drive, from B395002182
	5038069	Inner cable ...	1	
AB13	9118529	Grommet—Speedometer cable	1	} Series I, II and III
	19503042	Screw, No. 10 x 3/8"	1	
	9663122 s/d by 9663123	Washer, 3/8" shakeproof	1	
	5220700	Nut, No. 10 UNF.	1	
A14	1046561	REVOLUTION COUNTER	1	Up to 1206266 From B9106593 LHD and B9105975 RHD. up to Series III
	1206266	REVOLUTION COUNTER	1	
A15	5037338	Bulb holder ...	1	} Series I and II
A16	K.26785	Bulb, 12 volt, 2-2 watt	1	
		Bulb holder } Warning } See Chassis		
		Bulb ... } lights ... } Harness		
	1206221	REVOLUTION COUNTER	1	} Series III
A17	1046568	Revolution counter cable, 38" long	1	
A18	5037340	Inner cable ...	1	} Series I, II and III
	1046616	Revolution counter cable, 66" long	1	
	5037341	Inner cable ...	1	
	9118529	Grommet—Revolution counter cable	1	
A19	1223701 s/d by 1228779	REVOLUTION COUNTER (Impulse)	1	} Positive Earth ... Series IV
B20	1228778 s/d by 1228779	REVOLUTION COUNTER (Impulse)	1	
	1228779	REVOLUTION COUNTER (Impulse)	1	

ELECTRICAL EQUIPMENT

Plate Ref.	Part Number	DESCRIPTION	No. per Veh.	REMARKS	
F21	1235772	INSTRUMENTS—continued REVOLUTION COUNTER (Impulse)—Negative Earth ... RVI/2411/02	1	} Series V	
	1218035	Warning light body—Main beam (Blue) 54361250	1		
	1200267	Warning light body—Ignition (Red) 54360102	1		
	1217989	Warning light body—Flasher (Green) 54361251	1		} Series III and IV up to B9400945
	1218036	Warning light body—Overdrive (Opal) 54361252	1		
	5220069	Bulb holder—Overdrive warning light 79/820	1		
	K.26644	Bulb, 12 volt, 2 watt L281	1		
B22	1223841	Warning light body—Main beam (Blue) 54361269	1	} Series IV from B9400946 onwards	
B23	1223840	Warning light body—Ignition (Red) 54361268	1		
B24	1223842	Warning light body—Flasher (Green) 54361270	1		
B25	1223843	Warning light body—Overdrive (Opal) 54361271	1		
B26	5220069	Bulb holder—Overdrive warning light 79/820	1		
B27	K.26644	Bulb, 12 volt, 2 watt L281	1		
		Bulb holder } Warning } See Chassis Bulb ... } lights ... } Harness	3		} Series III onwards
			3		
A28	1046558	s/d by 1800356 THERMOMETER TC4304/00	1	Series I and II	
B29	1218103	THERMOMETER BT2202/02	1	Series III and IV	
F30	1235775	THERMOMETER BT2201/03	1	Series V up to intro. 1239812	
	1239812	THERMOMETER	1	From B395016586	
A31	1046559	OIL GAUGE PL2303/00	1	Series I and II	
B32	1215384	OIL GAUGE PL2302	1	Series III and IV	
	1235774	s/d by 1238861 OIL GAUGE PL2307/07	1	Series V up to intro. 1238861	
F33	1238861	OIL GAUGE	1	From B395004502	
	9079099	Cork washer—Oil gauge	1		
A34	1046716	PETROL (Fuel) GAUGE FG2331/05	1	Home cars only up to B9000102 less 003, 005, 008 and 056	
	1046557	PETROL (Fuel) GAUGE FG2331/03	1	Home cars only from B9000103 plus 003, 005, 008 and 056, also all Export up to Series III	
A35	5037339	Bulb holder Panel 41-761-129-07	3	} Series I and II	
A36	K.26785	Bulb, 12 volt, 2.2 watt } lights L987	3		
B37	1206437	PETROL (Fuel) GAUGE BF2203/01	1	Series III and IV	
F38	1235778	PETROL (Fuel) GAUGE BF2203/07	1	Series V	
B39	1206419	Bulb holder c/w cable—Instrument illumination	1	} Series III onwards	
B40	K.26785	Bulb, 12 volt, 2.2 watt L987	2		
	P.46371	Element } Thermometer TT4800/00	1	Series I and II	
E41	1205552	Element } Thermometer TT4802/00	1	Series III onwards	
E42	1205576	VOLTAGE REGULATOR BR1300/01	1	Series III onwards up to intro. 1801197	
	1801197	VOLTAGE REGULATOR BR1307/00	1	From B395015061	
	9734066	s/d by 9774066 Screw, No. 10 × 3/8"—Voltage regulator	1		

ELECTRICAL EQUIPMENT

Plate Ref.	Part Number	DESCRIPTION	No. per Veh.	REMARKS
HEADLAMPS — Series I and II				
C43	5037292	HEADLAMP } Left 58403B	2	Up to B9008282 From B9008283
	5037666 s/d by 5043780	HEADLAMP } dipping ... See Data 2F/51 58548A	2	
	5037293 s/d by 5058198	HEADLAMP—Vertical dipping—Duplo bulb ... 58406A	2	
		HEADLAMP—Yellow bulb 58405A	2	
		HEADLAMP—Fitting only 54052059	2	
	Adaptor 553738		France U.S.A. and Canada up to B9108923	
C44	5037294	Rim—Outer 54520411	2	} Except U.S.A. and Canada
	9723125 s/d by 9763125	Rim screw	2	
C45	9763125	Rim screw	2	} from B9108924
	P.43138 s/d by 9020069	Spire nut } Rim	2	
	9020038 s/d by 9020069	Spire nut	2	Up to B9008282 From B9008283
	9020054	Nut 187117	2	
C46	1046937	Dust excluder—Rim to wing (fender) 552906	2	
C47	K.25489	Gasket—Lamp to wing (fender) 555458	2	
C48	K.23108	Rim—Inner (Front and Rear) 554872	2	
C49	K.25486	Reflector and glass (lens) unit 556599	2	} Left dipping
C50	K.24538	Bulb holder adaptor 554602	2	
	5037060	Reflector and glass (lens) unit 54522683	2	} Vertical dipping
	5037061	Bulb holder adaptor 553738	2	
	5039704	Reflector and glass (lens) unit 54520420	2	} Germany only
	5039685	Bulb holder—Pilot lamp 554710	2	
C51	5037048	Bulb L414	2	} Left dipping Vertical dipping France Germany
	5037063	Bulb L410	2	
	1046741	Bulb—3-pin type L411	2	
	5037599	Bulb—Pilot lamp, 12 volt, 6 watt L989	2	
		HEADLAMP—TYPE F700, Mk. VIII 58489	2	
	39403070 s/d by 39413071	Sealed beam unit 54522231	2	} U.S.A. and Canada only from B9108924
	P.44863 s/d by 9179275	Rim, door 555457	2	
	39304060 s/d by 39314061	Screw, fixing rim 198898	2	
		Washer—Screw 161385	2	
		Nut—Rim fixing screw 187117	2	
		Bracket, rim fixing 555704	2	
		Retaining plate—Light unit 554179	2	
		Rim seating—Light unit 554175	2	
		Screw, fixing unit rim 186194	2	
		Adaptor 553738	2	
		Gasket body 54520582	2	
		Spring, fixing unit seating rim 554180	2	
		Screw, trimmer 554182	4	
		Spring, retaining trimmer screw 554202	4	
		Screw, No. 10 UNF. × 1/8" —Headlamp to wing (fender)	6	
		Clip—Earthing headlamp	2	
		Screw, 1/4" UNF. × 3/8" clip	2	

ELECTRICAL EQUIPMENT

Plate Ref.	Part Number	DESCRIPTION	No. per Veh.	REMARKS
		HEADLAMPS --- Series III		
	1218158 s/d by 5043780	HEADLAMP—Mk. 10 } Left 59034	2	
	5043780	HEADLAMP—Mk. 10 } dipping 58811	2	
	1800521 s/d by 5058198	HEADLAMP—Mk. 10—Vertical dipping 59040	2	
		HEADLAMP 59081		France
		HEADLAMP 59084		Caribbean area
		HEADLAMP 59314		Germany
		HEADLAMP 59082		Sweden
		HEADLAMP 59083		Austria
		HEADLAMP		Hong Kong
	5041417 s/d by 5043565	Body assembly 54520661	2	
	5043565	Body assembly 54522342	2	
C52	5041043	Light unit (sealed beam)—Left dipping 54521872	2	
	5037060	Reflector and glass—Vertical dipping 54522683	2	
	5037060	Reflector and glass 54522683	2	France
	K.22745	Reflector and glass 553940	2	Caribbean area
	5039704	Reflector and glass 54520420	2	Germany
	1046814	Reflector and glass 54520148	2	Sweden
	1800376 s/d by 5037060	Reflector and glass 54520883	2	} Austria
	5037060	Reflector and glass 54522683	2	
C53	5037061	Adaptor—Left and Vertical dipping 553738	2	
	1046807	Adaptor 554691	2	Caribbean area and Hong Kong
	5039685	Bulb holder—Pilot 554710	2	Germany
	5037063	Bulb—Vertical dipping L410	2	
	1046741	Bulb—3-pin yellow L411	2	France
	K.29072	Bulb L370	2	Caribbean area and Hong Kong
	5037599	Bulb—Pilot lamp L989	2	Germany
	5037063	Bulb L410	2	Sweden
	5037063	Bulb L410	2	Austria
	5041048	Rim—Unit seating 54521538	2	
	5042061 s/d by 5042722	Retaining plate—Light unit 54520549	6	
	5042722	Retaining plate—Light unit 54521913	6	
	5038928	Screw—Fixing light unit 186137	2	
	5040256	Trimmer screw set 54520384	2	
	5037340	Spring retaining bulb 556442	2	
C54	5037294	Rim—Outer 54520411	2	
	1800465	Gasket—Rim to wing (fender) 54520582	2	
	9723125 s/d by 9763125	Screw } Headlamp	2	
	9763125	Screw } rim	2	
		HEADLAMP—TYPE 700, Mk. X 59027	2	
		Sealed beam unit	2	
		Rim, door 54520411	2	
		Screw, fixing rim 198898	2	
		Washer—Screw 161385	2	U.S.A. and Canada
		Nut—Rim fixing screw 187117	2	Series III
		Bracket—Rim fixing 555704	2	
		Retaining plate—Light unit 54521913	2	
		Rim seating—Light unit 54521538	2	
		Screw, fixing unit rim 186137	2	

ELECTRICAL EQUIPMENT

Plate Ref.	Part Number	DESCRIPTION	No. per Veh.	REMARKS
		HEADLAMPS — Series III—continued		
		HEADLAMP—TYPE 700, Mk. X—continued		
		Adaptor 553738	2	} U.S.A. and Canada Series III
		Gasket, body 54520582	2	
		Spring, fixing unit seating 54520514	4	
		Screw, trimmer 54520451	4	
		Housing, trimmer screw 54520550	4	
		Nut, trimmer screw 54520551	6	
	39403070 s/d by 39413071	Screw, No. 10 UNF. $\times \frac{1}{16}$ "—Headlamp to wing (fender) ...	2	
	P.44863 s/d by 9179275	Clip } Earthing	2	
	9179275	Clip } headlamp	2	
		HEADLAMPS — Series IV onwards		
D55	1800522	HEADLAMP—Mk. 10—Left dipping (50941)	2	} France Caribbean area } Up to B94100000 } Germany } B94600000 } Sweden } CKD. } Austria } Hong Kong } Series IV and V up to } intro. 5043780 & 1800521
	1800528 s/d 5058419	HEADLAMP—Mk. 10—Vertical dipping (59042)	2	
		HEADLAMP 59085		
		HEADLAMP 59088		
		HEADLAMP 59042		
		HEADLAMP 59086		
		HEADLAMP 59087		
		HEADLAMP		
	1800522	HEADLAMP—Mk. 10—Left dipping (59315)	2	
	1800528 s/d by 5058419	HEADLAMP—Mk. 10—Vertical dipping (59316)	2	
	5043780	HEADLAMP—Left dipping 58811	2	
	1800521 s/d by 5058198	HEADLAMP—Vertical dipping	2	
		HEADLAMP 59320		
		HEADLAMP 59322		
		HEADLAMP 59314		
		HEADLAMP 59321		
		HEADLAMP 59319		
		HEADLAMP		
		HEADLAMP 59318		
D56	5042054 s/d by 5043565	Body assembly (See Data 2F/64) 54522244	2	
	5043565	Body assembly 54522342	2	
D57	5041420	Clip and bracket—Outer rim fixing 54522243	2	
D58	5041043	Light unit (Sealed beam)—Left dipping 54521872	2	
	5037060	Reflector and glass—Vertical dipping 54522683	2	
	5037060	Reflector and glass 54522683	2	
	1046814	Reflector and glass 54520148	2	
	K.22744	Reflector and glass 555447	2	
	1800376 s/d by 5037060	Reflector and glass 54520883	2	
	5037060	Reflector and glass 54522683	2	
	K.22745	Reflector and glass 553940	2	
D59	5037061	Adaptor 553738	2	
	1046807	Adaptor 554691	2	
	5037063	Bulb—Vertical dipping L410	2	

ELECTRICAL EQUIPMENT

Plate Ref.	Part Number	DESCRIPTION	No. per Veh.	REMARKS
		HEADLAMPS — Series IV onwards—continued		
	1046741	Bulb—3-pin—Yellow L411	2	France
	5037063	Bulb, 12 volt, 45/40 watt L410	2	Sweden
	5037063	Bulb, 12 volt, 45/40 watt L410	2	Austria
	K.29072	Bulb, 12 volt, 45/50 watt L370	2	Caribbean area and Hong Kong.
D60	5041048	Rim—Unit seating 54521538	2	
	5042061	s/d by 5042722 Retaining plate—Light unit 54520549	2	Early Type
D61	5042722	Retaining plate—Light unit 54521913	2	Late Type
	5058600	Retainer (Plastic) Trimmer screw 54522798	6	From B395007546 Alpine V B382002389 Tiger "260"
D62	5038928	Screw—Unit fixing 186137	6	
	5040256	Trimmer screw set 54520384	2	
		HEADLAMP—Mk. 10 54052367	2	
		Body assembly 54522244	2	
		Clip and bracket—Outer rim fixing 54522243	2	
		Sealed beam unit	2	
		Adaptor—Light unit 553738	2	U.S.A. and Canada up to B9400475
		Rim—Unit seating 54520446	2	
		Retaining plate 54520549	2	
		Screw—Unit fixing 186137	2	
		Trimmer screw set 54520384	2	
		HEADLAMP—Type F700 Mk. 10 59232	2	
		Rim, or door (Chrome) 54522186	2	
		Plate—Light unit retaining 54521913	2	
		Screw—Unit fixing 186137	6	U.S.A. and Canada from B9400476 up to B395007545 Alpine and B392002388 Tiger "260"
		Rim—Unit seating 54522086	2	
		Sealed beam unit 54522231	2	
		Adaptor 553738	2	
		Sleeve terminal 555910	6	
		Spring—Unit seating rim 54520514	2	
		HEADLAMP—Type F700 Mk. 10 59227	2	
		Rim—Door 54521943	2	
		Screw, rim fixing 198898	2	U.S.A./Canada from Alpine V B395007546, Tiger "260" B382002389
		Light unit—Sealed beam 54522231	2	
		Adaptor—Light unit 553738	2	
		Retaining plate—Light unit 54520549	2	
		Nut—Rim fixing screw 187117	2	
D63	1800465	Gasket } Headlamp to 54520582	2	Up to intro. 1228806 From B94101749 and B9472146 Tiger "260"
	1228806	Gasket } wing (fender) 54522490	2	
D64	1217994	Rim 54521966	2	Up to intro. 5037294 From B395007546 Alpine V B382002389 Tiger "260" up to intro. 2239546 Tiger II 1st production Alpine V from B395017900
	5037294	Rim } 54520411	2	
	2239546	Rim } Headlamp 54523725	2	
	9179275	Clip—Earthing headlamp	2	
	1236490	CONVERTOR KIT—Continental lighting	1	
		HEADLAMP CONVERSION KIT—Continental lighting		
	5037060	Reflector and glass } Alternative to 54522683	2	
	1046741	Bulb, yellow } 1236490 L411	2	

ELECTRICAL EQUIPMENT

Plate Ref.	Part Number	DESCRIPTION	No. per Veh.	REMARKS		
C65	P.46259	SIDE AND FLASHER LAMP (White lens) Type 594	52403D	} Series I, II and III		
C66	K.29739	Glass (lens)	576983			
C67	K.20617	Rim	572734			
C68	K.29738	Rubber body	576105			
C69	K.26781	Bulb, 12 volt, 21/6 watt	L380			
	9732066 s/d by 9772066	Screw, No. 6 × 3/8"—Side lamp to wing	6			
	1800258	FRONT FLASHER LAMP (Amber lens)	52574A	} Series I, II and III Germany		
	K.29738	Body	576105			
	K.20617	Rim	572734			
	5039757	Lens	576108			
	K.26796	Bulb, 12 volt, 21 watt	L382			
	K.28405 s/d by 1800439	Sleeve—Terminal	555910			
	5030717	Bulb holder	576986			
C70	5040146	SIDE AND FLASHER LAMP	52326B	} Series II		
C71	5040105	Glass (lens)	526502		} Le-Mans	
C72	5040106	Rim	526508	} No longer available		
C73	5040107	Rubber body	526503			
C74	K.26780	Bulb, 12 volt, 4 watt ... (Alternative to 5037599)	L222	} Series II		
	5042359 s/d by 5037599	Bulb, 12 volt, 6 watt	L989		} Le-Mans	
C75	K.26171	Bulb holder	553780			
D76	1219625	SIDE AND FLASHER LAMP, O/S (R.H.)	52641A	} Amber Flasher		
	1219626	SIDE AND FLASHER LAMP, N/S (L.H.) } Type	52642A		} Amber Flasher	
	1219627	SIDE AND FLASHER LAMP, O/S (R.H.) } 722	52643A			} White Flasher
	1219628	SIDE AND FLASHER LAMP, N/S (L.H.) }	52644A			
		Body 54574570 (Not supplied)				
D78	5042317	Lens—Side c/w fixing screws	54575298			
D79	5042318	Lens—Flasher (Amber) c/w fixing screws	54575299			
	5042319	Lens—Flasher (White) c/w fixing screws	54575301			
D80	5042320	Gasket—Lens seating	54574567	} Series IV onwards		
D81		Bulb holder—Side 54933960 (Not supplied)				
D82	5042322	Bulb, 12 volt, 5 watt	501			
D83	K.26068	Bulb holder—Flasher	573832			
D84	K.26796	Bulb—Flasher	L382			
D85	5041314	Grommet—Cable	54572247			
D86	5042323	Gasket—Lamp seating, O/S (R.H.)	54575087			
	5042321	Gasket—Lamp seating, N/S (L.H.)	54575085			
	9020036	Spire nut—Lamp fixing	6			
	1046555 s/d by 1206423	STOP TAIL AND FLASHER LAMP	53779A			
C87	1206423	STOP TAIL AND FLASHER LAMP	53779B		} Up to B9111288 From B9111289 up to Series IV Series I, II and III U.S.A. and Canada	
		STOP TAIL AND FLASHER LAMP	53801A			
C88	5037274	Glass (Lens)—Flasher (Amber)	54570436	} Series I, II and III Series I, II and III U.S.A. and Canada		
		Glass (Lens)—Flasher (Red)	54570648			
C89	5037275	Glass (Lens)—Stop tail and reflector	54570437	} Series I, II and III		
C90	5037276	Gasket—Glass (Lens)	54570220			
	K.29815	Screw	198924			
C91	K.26796	Bulb—Flasher	L382			
	5037277	Bulb holder } Flasher	54570460			
C92	5040345	Bulb holder } Flasher	54573140		} Up to B9111288 From B9111289 up to Series IV	

ELECTRICAL EQUIPMENT

Plate Ref.	Part Number	DESCRIPTION	No. per Veh.	REMARKS
		STOP TAIL AND FLASHER LAMP—continued		
C93	K.26781	Bulb—Stop tail L380	2	Series I, II and III Up to B9111288 From B9111289 up to Series IV Denmark
	5037278	Bulb holder } Stop 54570461	2	
C94	5040346	Bulb holder } tail 54573139	2	
	1046943	Bulb L396	2	
C95	1201338	Gasket	2	
	9067008	Washer, $\frac{3}{8}$ " plain	4	
	9660121	Washer, $\frac{3}{8}$ " spring } Lamp to wing (fender)	4	
	9600521	Nut, 2 BA	4	
	9568030	Wing nut	4	
C96	1214233	STOP TAIL LAMP 53955	2	
C97	5039492	Glass (Lens) 54572774	2	
	5039495	Screw—Full thread	4	
C98	5040155	Screw—Shoulder length } Glass ... See Data 2F/41		
		thread (Lens) ... 54111111	4	
	5039496	Washer retaining	4	
C99	9122009	Washer	4	
C100	5039493	Gasket—Glass (Lens) 54572200	2	
C101	5039494	Gasket—Lamp seating 54572755	2	
C102	K.26781	Bulb, 12 volt, 21/6 watt L380	2	
C103	1214236	REAR REFLECTOR 57137	2	
C104	5040154	Reflector reflex 54572760	2	
	5039495	Screw 54110851	4	
C105	5040155	Screw } Reflector 54111111	4	
C106	9122009	Washer }	4	
C107	5039493	Gasket—Reflector 54572200	2	
C108	5039494	Gasket—Reflector body 54572755	2	
C109	1214234	REAR FLASHER LAMP 52731	2	
		REAR FLASHER LAMP (U.S.A. and Canada) 53957A		
C110	5039497	Glass (Lens)—Amber 54572776	2	
		Glass (Lens)—Red (U.S.A. and Canada) 54572777		
	5039495	Screw—Full thread	4	
C111	5040155	Screw—Shoulder length } Glass ... See Data 2F/41		
		thread (Lens) ... 54111111	4	
	5039496	Washer retaining	4	
C112	9122009	Washer	4	
C113	5039493	Gasket—Glass (Lens) 54572200	2	
C114	5039494	Gasket—Lamp seating 54572755	2	
C115	K.26796	Bulb, 12 volt, 21 watt L382	2	
	1223789	STOP TAIL AND FLASHER LAMP—Type L654 54207A	2	
D116	1228521	STOP TAIL AND FLASHER LAMP 54252	2	
		STOP TAIL AND FLASHER LAMP 54208A		
D117	5037620	Lens—Stop tail 54570959	2	
D118	5037621	Lens—Flasher (Amber) 54570589	2	
		Lens—Flasher (Red) (U.S.A. and Canada) 54571036	2	
	K.29815	Screw, lens fixing 198924	8	
D119	5037622	Gasket, lens seating 54570590	2	
D120	5040346	Bulb holder—Stop tail 54573139	2	
D121	5040345	Bulb holder—Flasher 54573140	2	
D122	K.26781	Bulb, 12 volt, 21/6 watt—Stop tail L380	2	
D123	K.26796	Bulb, 12 volt, 21 watt—Flasher L382	2	
D124	5037625	Gasket, lamp seating 54570591	2	
	1046943	Bulb, 12 volt, 5 watt L396	2	
	9568030	Wing nut—Stop tail and flasher lamp to wing (fender)	4	

ELECTRICAL EQUIPMENT

Plate Ref.	Part Number	DESCRIPTION	No. per Veh.	REMARKS	
		STOP TAIL AND FLASHER LAMP—Type L763 ... 54279	2	} U.S.A. and Canada From B395000208	
		Lens (Glass)—Stop tail 54576067	2		
		Lens (Glass)—Flasher (Red) 54576065	2		
		Screw—Lens fixing 54110631	8		
		Gasket—Lens seating 54570590	2		
		Bulb holder—Stop tail 54570280	2		
		Bulb holder—Flasher 54570286	2		
		Bulb, 12 volt, 21/6 watt—Stop tail 380	2		
		Bulb, 12 volt, 21 watt—Flasher 382	2		
		Gasket—Lamp seating 54570591	2		
C125	P.44952	REAR NUMBER PLATE LAMP 53278	1	} Up to B94101406 BU, B94600001 CKD	
C126	K.22773	Glass (Lens) 574046	1		
C127	K.22774	Clip 574045	1		
C128	K.22775	Seal 574044	1		
C129	5037599	Bulb, 12 volt, 6 watt L989	1		
	1228390 s/d by P.44952	REAR NUMBER PLATE LAMP 54235	1	} RHD from B94101407 BU, B94600001 CKD up to intro 7105349	
	K.22773	Glass (Lens) 574046	1		
	K.22775	Seal 574044	1		
	5042322	Bulb, 12 volt, 5 watt 501	1		
	1228390 s/d by P.44952	REAR NUMBER PLATE LAMP L989	1	} LHD from B94101407 BU, B94600001 CKD up to intro. 1205477	
	K.22773	Glass (Lens) 574046	1		
	K.22775	Seal 574044	1		
	5042322	Bulb, 12 volt, 5 watt 501	1		
C130	P.45670	REAR NUMBER PLATE LAMP 53518A	1	} Series II "Le-Mans"	
C131	K.26168	Glass (Lens) 573915	1		
C132	K.26169	Cover 574825	1		
	P.42213	Screw } Cover 113061	2		
	9122009	Washer } fixing 161385	2		
C133	K.26170	Gasket—Glass (Lens) 573916	1		
C134	K.26172 s/d by 5042415	Grommet—Cable 574049	1		
	K.28405 s/d by 1800439	Sleeve—Terminal 555910	1		
C135	K.26171	Bulb holder 553780	1		
C136	K.26780	Bulb, 12 volt, 4 watt L222	1		
	5037599	Bulb, 12 volt, 6 watt (Alternative to K.26780) L989	1		
		REAR NUMBER PLATE LAMP 53894			} Series IV U.S.A. and Canada up to intro. 1205477
		Rim 526496			
		Glass (Lens) 573615			
	1205477	REAR NUMBER PLATE LAMP—Type L550 53894	2		} LHD Series V up to intro. 7105349
	5038898	Rim 526496	2		
	5030133 s/d by 5042418	Lens (Glass) 573615	2		
	K.26780	Bulb, 12 volt, 4 watt } Alternatives L222	2		
	5037599	Bulb, 12 volt, 6 watt } L989	2		
		Bulb, 12 volt, 4 watt 233	2		
		Note. Complete Lamp for West Germany. Use 1205477 and change bulb. Bulb only obtainable in West Germany.		} West Germany only—See Note	

ELECTRICAL EQUIPMENT

Plate Ref.	Part Number	DESCRIPTION	No. per Veh.	REMARKS
C137	7105349	REAR NUMBER PLATE LAMP Note A. B395016692/3, B395016703/08/09, B395016711/2/14/17/19/20/22 to 29 inclusive/31/2/3/5/6/7, B395016739 to 43 inclusive, B395016745/6/7/9 to 53 inclusive, B395016755/6/8/60 to 67 inclusive, B395016769/72/73/77 then B395016779 onwards.	1	From See Note A
	1229312	Gasket—Rear number plate lamp to body	1	From B94100887 up to Note A
	39303081	Screw, No. 10 UNF. × ½" ...	2	} Alternatives
	39313081	Screw, No. 10 UNF. × ½" X recess } Lamp	2	
	9660121	Washer, ⅜" spring } to body	2	
	5220700	Nut, No. 10 UNF. }	2	
	2231205	Bracket—Rear number plate lamp	1	} Up to intro. See Note A
	2236082	Bracket—Rear number plate lamp	1	
	9119612	Grommet—Rear number plate	1	
	39303081	Screw, No. 10 UNF. × ½" ...	2	
	39313081	Screw, No. 10 UNF. × ½" X Recess } Alternatives } Bracket	2	
	9660121	Washer, ⅜" spring } to body	2	
	5220700	Nut, No. 10 UNF. }	2	
		REVERSE LAMP—Type L661 53862	2	} Alpine V U.S.A. and Canada Standard fitment From B395013542 up to intro. 1239563
		Glass (Lens) 54570778	2	
		Gasket—Lens seating 54571028	2	
		Body—Inner c/w bulb holder 54571287	2	
		Bulb 382	2	
		Gasket—Lamp seating 54573038	2	
	1239563	REVERSE LAMP	2	} Series V from B395013358 Soft Top, B395013399 G.T. and 1st Production Sunbeam 289 Mk. II
	5058921	Lens—Reverse lamp	2	
	K.26796	Bulb, 12 volt, 21 watt SCC	2	
	5058922	Setscrew—Lens fixing	2	
	1800253	Switch—Reverse light and overdrive	1	
	9071126	Washer—Switch	A/R	
	P.45149	INTERIOR ROOF LAMP	1	} Series II "Le-Mans"
C138	1217848	INTERIOR ROOF LAMP	1	
C139	K.25023	Plastic cover	1	Use with P.45149
	5040707	Plastic cover... ..	1	Use with 1217848
C140	K.26795	Bulb, 12 volt, 6 watt—Festoon L254	1	Series II "Le-Mans"
	9732085	Screw, No. 6 × ½" Rsd. hd.—Lamp to body	2	
C141	1217862	INTERIOR ROOF LAMP	1	} G.T. Models
C142	5041080	Cover	1	
	K.26795	Bulb, 12 volt, 6 watt—Festoon L254	1	
	1217862	INTERIOR ROOF LAMP	1	} Series IV and V Soft Top Automatic from B94100487
	5041080	Cover	1	
	K.26795	Bulb, 12 volt, 6 watt—Festoon L254	1	
C143	1206115	MAP LIGHT	1	} Series II
C144	5039585	Lens c/w bezel	1	
C145	5039586	Base plate and bulb contact	1	
	K.26795	bulb, 12 volt, 6 watt—Festoon L254	1	

ELECTRICAL EQUIPMENT

Plate Ref.	Part Number	DESCRIPTION	No. per Veh.	REMARKS	
C146	1206536	MAP LIGHT	1	} Series III onwards	
C147	5041254	Base plate and switch	1		
C148	5041255	Lens	1		
	K.26795	Bulb, 12 volt, 6 watt—Festoon L254	1		
	9731126	Screw, No. 4 × ¼" } Map light	2		
	9067000	Washer, ¼" plain } fixing	2		
	9772126	Screw, No. 6 × ¼" Pan hd.—Map light fixing	2		} Series II and III Series IV onwards
SWITCHES					
AB149	1046630	IGNITION AND STARTER SWITCH 31912	1		} See Data 2G/297
AB150	P.45185	s/d by 5220790 Ignition lock barrel	1		
AB151	H.111745	Key } F.P. series 625-750	2		
	5240413	Ignition lock barrel } S.T. series 801-899	1		
	5240415	Key }	2		
	5240380	Ignition lock barrel } R.M. series	1		
	5220397	s/d by 5220977 Key } See note	2		
	5240380	Ignition lock barrel } R.L. series	1		
	5220977	Key—Ignition } See note	2		
Note. R.L. series, 801-815, 831-845, 861-875, 906-912, R.M. series 913-952					
A152	1046564	PANEL LIGHT SWITCH 31947A	1	Series I	
	1046563	PANEL LIGHT AND MAP LIGHT SWITCH ... 31946A	1	Series II	
B153	1206490	PANEL LIGHT SWITCH 34544	1	Series III and IV up to B94100000 BU, 94600000 CKD.	
	1228982	PANEL LIGHT SWITCH 34943	1	Series IV from B94100001 BU, B94600001 CKD up to B395000000 BU, B395900000 CKD.	
F154	1800381	PANEL LIGHT SWITCH—Type 63SA 34602	1	} From B395000001 BU, B395900001 CKD.	
	1235818	Nut (Bezel)—Switch fixing 153601	1		
AB155	1046563	LIGHTING SWITCH—Standard transmission without Overdrive, and Automatic 31946	1	Series I, II, III and IV up to 1228981	
	1228981	LIGHT SWITCH—Standard transmission without Overdrive, and Automatic 34982	1	Series IV from B94100001 BU, B94600001 CKD up to B395000000 BU, B395900000 CKD.	
	1046563	LIGHTING SWITCH 31946A	1	} Series I and II Series III and IV Early cars Series IV Late cars up to 1228981 Series IV from B94100001 BU, B94600001 CKD up to B395000000 BU, B395900000 CKD. } From B395000001 BU, B395900001 CKD.	
	1219448	LIGHTING SWITCH } Standard transmission 34607A	1		
	1046563	LIGHTING SWITCH } with overdrive 31946A	1		
	1228981	LIGHTING SWITCH } 34942	1		
	1229413	LIGHTING SWITCH—Type 57SA 34946	1		

ELECTRICAL EQUIPMENT

Plate Ref.	Part Number	DESCRIPTION	No. per Veh.	REMARKS
A156	1046564	SWITCHES—continued SCREEN WIPER SWITCH 31947A	1	Series I and II Series III and IV up to B941000000 BU, B94600000 CKD. B94600000 CKD. From B94100001 BU, B94600001 CKD up to B395000000 BU, B395900000 CKD. From B395000001 BU, B395900001 CKD. Up to intro. 1801573 Standard and Overdrive from B395017618 U.S.A. and Canada Series IV Automatic transmission up to intro. 1801574 Automatic from B395017618
B157	1056563	SCREEN WIPER SWITCH 31946A	1	
	1228981	SCREEN WIPER SWITCH 34942	1	
F158	1229413	SCREEN WIPER SWITCH—Type 57SA 34946	1	
	1046629	STARTER SOLENOID SWITCH 76465	1	
E159	1801573	STARTER SOLENOID SWITCH 76766	1	
	1046983	STARTER SOLENOID SWITCH—Type 2.ST... 76497A STARTER SOLENOID SWITCH 76453	1	
	1801574	STARTER SOLENOID SWITCH 76776	1	
E160	5037288 s/d by 9227121	Lucar connector, 12 amp } 54190015	1	
	9227121	Lucar connector, 12 amp }	1	
	5037286 s/d by 9227105	Lucar connector, 12 amp } Starter 54190013	1	
	9227105	Lucar connector, 12 amp } solenoid	1	
	5037287 s/d by 9227106	Lucar connector, 35 amp } 54190014	1	
E161	9227106	Lucar connector, 15 amp }	1	
	39303120 s/d by 39313121	Screw, No. 10 UNF. × ½" }	2	
	19503041	Screw, No. 10 UNF. × ½" }	2	
	9660121	Washer, ⅜" plain } Starter switch fixing	2	
	9088170	Distance piece ... }	2	
E162	P.40777	Terminal cap ... } 858266	1	
	1046988	STOP LIGHT SWITCH 31882	1	
	1800298 s/d by 1800399	STOP LIGHT SWITCH 34446A	1	
E163	1800399	STOP LIGHT SWITCH 34619	1	
	9077017	Gasket switch ... }	1	
E164	1046553	FOOT DIPPER SWITCH 31800	1	
E165	1800390	FOOT DIPPER SWITCH 73758	1	
	39033060 s/d by 39033061	Screw, 2 BA × ⅜" }	2	
	39203160	Screw, No. 10 × 1" }	2	
	39303080 s/d by 39313081	Screw, No. 10 × ½" } Switch to platform	2	
	39313081	Screw, No. 10 UNF. × ½" "X" recess }	2	
	9663122 s/d by 9663123	Washer, ⅜" shakeproof }	2	
E166	1046646	Rubber cover } Foot dipper 54331425	1	
E167	1800391	Rubber cover } switch	1	
	2201116	Platform—R.H.D. } Foot	1	
	2201388	Platform—L.H.D. } dipper switch	1	
	9733086 s/d by 9773086	Screw, No. 4 × ⅜"—Platform to floor	5	
A168	1046618	FLASHER SWITCH 31889A	1	Series I Series II Series III up to B9201954 Series III from B9201955, B9250103 CKD Venezuela, B9250115 CKD Italy and Series IV and Series V
	1201663	FLASHER SWITCH—Type 37SA 34332	1	
	1206282 s/d by 1223742	FLASHER SWITCH	1	
B169	1223742 s/d by 1235200	DIRECTION INDICATOR AND HEADLAMP FLASHER SWITCH 34719A	1	
	5042175	Contact assembly 54337314	1	

ELECTRICAL EQUIPMENT

Plate Ref.	Part Number	DESCRIPTION	No. per Veh.	REMARKS
F170	1235200	DIRECTION INDICATOR AND HEADLAMP FLASHER SWITCH 34981	1	
F171	5042175	Contact Assembly 54337314	1	
A172	1200199	Striker ring	1	Series I and II
	s/d by 1228256			
	39303081	Screw, No. 10 UNF. × 1/4" —R.H. } Striker ring	1	Series I and II
	9660121	Washer, 3/8" spring } to	1	
	5220700	Nut, No. 10 UNF. } steering column	1	
A173	1046643	OVERDRIVE SWITCH 31925	1	Series I
	1201686	OVERDRIVE SWITCH—R.H.D.	1	Series II
	1201687	OVERDRIVE SWITCH—L.H.D. } Steering column	1	
	1206496	OVERDRIVE SWITCH—R.H.D.	1	
	1206497	OVERDRIVE SWITCH—L.H.D.	1	
F174	1235203	OVERDRIVE SWITCH—R.H.D.	1	Series III onwards
	1235202	OVERDRIVE SWITCH—L.H.D.	1	
F175	1206494	Clamping plate—Overdrive switch	1	Series III onwards
	1046648	OVERDRIVE SWITCH } Gearbox 31849A	1	
E176	1800253	OVERDRIVE SWITCH } 34460A	1	
E177	P.112542	Washer—Switch	A/R	
	5030775	SOLENOID SWITCH } Overdrive 76516	1	Up to B9200243 From B9200244
E178	5039747	SOLENOID SWITCH } unit 76522E	1	
E179	P.45208	COURTESY LIGHT SWITCH S34122	2	G.T. Models and Series II "Le-Mans"
	P.45208	COURTESY LIGHT SWITCH S34122	2	Series IV Soft Top Auto- matic from B94100487
	2220939	HORN SWITCH	1	No longer available
		INHIBITOR SWITCH—Automatic		See Automatic Gearbox Section
STARTER MOTOR				
Note. A replacement starter motor is obtainable from Messrs. J. Lucas Ltd. in part exchange for the original.				
	P.44447	STARTER MOTOR 25022M	1	Series I
E180	1800274	STARTER MOTOR 25085	1	Series II onwards
E181	K.20251	Brush set 251108	1	
E182	5038067	Brush spring set 251942	1	
	7080043	Bush, commutator bracket 251477	1	
	7080044	Bush, driving end bracket 253316	1	
E183	K.20255	Main spring 250404	1	
E184	5039533	Pinion and barrel assembly 54252212	1	
E185	5039534	Sleeve, screwed 250696	1	
	5043857	Buffer washer 291970	1	
E186	K.15494	Nut, armature shaft end 250889	1	Series I
	5043855	Cup shaft } Armature 54251920	1	Series II onwards
	5043856	Jump ring } shaft 54251921	1	
	7080045	Thrust washer—D.E. bracket 158550	1	
Starter motor fixings—See Engine (Motor) Auxiliaries				
Starter solenoid—See switches.				

ELECTRICAL EQUIPMENT

Plate Ref.	Part Number	DESCRIPTION	No. per Veh.	REMARKS
DYNAMO (Generator)				
Note. A replacement Dynamo (Generator) is obtainable from Messrs. J. Lucas Ltd. in part exchange for the original.				
E187	1046668	DYNAMO (Generator) 22700B	1	Fitted up to B39500000 BU, B395900000 CKD.
E188	5037543	Brush set 54213117	1	
E189	5037544	Brush spring set 227542	1	
	P.43050	Bearing } D.E. bracket 189307	1	
	9188002	Bearing } D.E. bracket 189307	1	
	5059371	Bearing bush } C.E. 227818	1	
	5039250	Oiler ... } bracket 54211097	1	
	5030868	Nut, $\frac{1}{8}$ " UNF., lock } Armature 198800	1	
	9213004	Key ... } shaft 189340	1	
ALTERNATOR				
Note. A replacement Alternator less Fan (Lucas Part No. 23528) is available from Messrs. Joseph Lucas Ltd., in part exchange for the original unit—Home Models only.				
F190	1235628	ALTERNATOR c/w FAN 54021127	1	Negative Earth System
F191	5044349	Thru bolt—Special 54112056	3	
F192	5030868	Nut—Rotor shaft 198800	1	
	9188002	Bearing—D.E. bracket 189307	1	
	5043509	Circlip—Bearing 54150294	1	
	5043510	"O" ring (Oil seal) bearing 54214812	1	
F193		Bearing—Bracket slip ring end	1	Not supplied
F194	5043626	Brush box—Bakelite 54217505	1	
F195	5043511	Brush—Spring and Lucar 54215076	2	
F196	9227111	Lucar connector—Cut-out 54190096	1	
	1800892	Fan 54216148	1	
Note. A replacement Control Box is available from Messrs. Joseph Lucas Ltd. in part exchange for the original unit				
F197	(1800744)	CONTROL BOX—TYPE 4TR 37423	1	Models with Alternator not supplied
	9773126	Screw, No. 8 bdg. hd. $\times \frac{1}{2}$ " "X" recess	2	
	39313081	Screw, No. 10 UNF. $\times \frac{1}{2}$ " "X" recess—Earth	1	
	9020246	Spirenut	1	
F198	1800746	FIELD ISOLATING RELAY—TYPE 6RA 33252	1	Models with Alternator
	9773086	Screw, No. 8 bdg. hd. $\times \frac{1}{2}$ " "X" recess	2	
	9068010	Washer, $\frac{1}{2}$ " plain	2	
	9663122	Washer, $\frac{1}{4}$ " shakeproof	2	
F199	1800745	WARNING LIGHT SIMULATOR 38706	1	Models with alternator
	9773086	Screw, No. 8 bdg. hd. $\times \frac{1}{2}$ " "X" recess	1	
	9068010	Washer, $\frac{1}{2}$ " plain	1	
	9663122	Washer, $\frac{1}{4}$ " shakeproof	1	

ELECTRICAL EQUIPMENT

Plate Ref.	Part Number	DESCRIPTION	No. per Veh.	REMARKS
		IGNITION		
		Note. A replacement Distributor is obtainable from Messrs. J. Lucas Ltd. in part exchange for the original.		
E200	1202705 s/d by 5057780	DISTRIBUTOR (Horizontal outlet) 40683	1	} Up to B9200719 Series II "Le-Mans"
	1214395 s/d by 5057780	DISTRIBUTOR (Vertical outlet) 40766A	1	
	1216047	DISTRIBUTOR 40837	1	
	K.23440 s/d by 5040629	Top cover } (Horizontal outlet) 418871	1	
	5040629	Top cover } outlet) 54412486	1	
	K.28837 s/d by 5040360	Top cover (Vertical outlet) 418865	1	
	5220172	Nut, moulded 410600	5	
	K.22438	Carbon brush and spring 418856	1	
	K.24988	Rotor arm 400051	1	
	K.25986	Contact set 423153	1	
	K.25987	Condensor 423871	1	
	5037545	Vacuum unit 54411463	1	
	5037524	Cover clip 421824	2	
	P.107014	Pinion 1	1	
9840000	Pin, 1" x $\frac{3}{16}$ "—Pinion to shaft 1	1		
E201 E202	1215507 s/d by 5057780	DISTRIBUTOR 40799	1	} See Data 2F/52
	5057780	DISTRIBUTOR 41023	1	
	5040360	Top cover 54414513	1	
	5220172	Nut, moulded 410600	5	
	K.22438	Carbon brush and spring 418856	1	
	K.24988	Rotor arm 400051	1	
	K.25986	Contact set 423153	1	
	K.25987	Condensor 423871	1	
	5037545	Vacuum unit 54411463	1	
	5037524	Cover clip 421824	2	
	5040609	Terminal bush and lead 54413549	1	
	K.25506	Clamping plate 421191	1	
	P.107014	Pinion 1	1	
	9840000	Pin, 1" x $\frac{3}{16}$ "—Pinion to shaft 1	1	
E203	1218166	DISTRIBUTOR 40924A	1	} From B9204718 Soft Top and B9203887 G.T. and B9250157 CKD South Africa up to Series IV
	5040360	Top cover 54414513	1	
	5220172	Nut, moulded 410600	5	
	K.22438	Carbon brush and spring 418856	1	
	K.24988	Rotor arm 400051	1	
	K.25986	Contact set 423153	1	
	K.25987	Condensor 423871	1	
	5042065	Vacuum unit 54414923	1	
	5037524	Cover clip 421824	2	
	5040609	Terminal bush and lead 54413549	1	
	K.25506	Clamping plate 421191	1	
	P.107014	Pinion 1	1	
	9840000	Pin, 1" x $\frac{3}{16}$ " 1	1	
	1223703	DISTRIBUTOR—TYPE 25D4 40942	1	
1229679	DISTRIBUTOR—TYPE 25D4 41044	1		
				} From B94102678 up to B395000000 BU B395900000 CKD.

ELECTRICAL EQUIPMENT

Plate Ref.	Part Number	DESCRIPTION	No. per Veh.	REMARKS
		IGNITION—continued		
		DISTRIBUTOR—continued		
E204	5040360	Cover, moulded	54414513	} For Distributor 1223703
E205	5220172	Nut, moulded	410600	
E206	K.22438	Brush and spring	418856	
	5043709	Cover, moulded (Push-in type)	54417214	} For Distributor 1229679
	K.22438	Brush and spring	418856	
E207	K.24988	Rotor arm	400051	
E208	K.25986	Contact set	423153	
E209	K.25987	Condensor	423871	
E210	5042065	Vacuum unit	54414923	
E211	5037524	Cover clip	421824	
E212	5040609	Terminal bush and lead	54413549	
E213	K.25506	Clamping plate (2 hole fixing)	421191	} Check type required
	5043708	Clamping plate (1 hole fixing)	420151	
	1235133	DISTRIBUTOR—TYPE 25D4	41077	
	5043709	Cover, moulded (Push-in type)	54417214	} Series V from B395000001 BU, B395900001 CKD.
	K.22438	Brush and spring	418856	
	K.24988	Rotor arm	400051	
	K.25986	Contact set	423153	
	K.25987	Condenser	423871	
	5042065	Vacuum unit	54414923	
	5037524	Cover, clip	421824	
	5040609	Terminal bush and lead	54413549	
	5043708	Clamping plate	420151	
	5037985	Driving dog	420620	
	9119506	Cover—Distributor terminal	
	1218625	Distributor shroud	} Series III from B9205658 and Series IV up to B94102677 France only
	1218626	Top—Distributor shroud	
	19603031	Bolt, No. 10 UNC. × $\frac{3}{8}$ } Shroud } Fitted to distributor	
	9067094	Washer, $\frac{1}{8}$ " plain ... } with 2 hole fixing clamp	
	1218625	Shroud—Distributor	} From B94102678 France only
	1218626	Top—Shroud	
	1235940	Stud ... } Shroud to tappet cover ... } Fitted to Distributor	
	9067014	Washer ... } with one hole fixing clamp	
	9510040	Nut ... } Distributor ... }	
	9510040	Nut ... } shroud ... }	
	9067014	Washer } distributor fixings—See engine auxiliaries Section.	...	
E214	5030856	IGNITION COIL	45075	} Up to B94102677
E215	K.12519	s/d by 9227201 Nut, moulded	408120	
E216	P.44927	Spring washer	185015	
		IGNITION COIL—TYPE BA7 } U.S.A. and	45139A	
		Ballast resistor—Type BR2 ... } Canada	47170A	
	9119506	Cover coil terminal	460057	
	5037291	s/d by 9227111 Lucar connector, 12 amp } Ignition	54190096	
E217	9227111	Lucar connector, 12 amp } coil	54190096	
F218	1800915	s/d by 1801188 IGNITION COIL (PUSH-IN CABLE)	45178	} From B94102678
		Ignition coil ... } U.S.A. and	45180	
		Ballast resistor—Type BR2 } Canada	47170A	

ELECTRICAL EQUIPMENT

Plate Ref.	Part Number	DESCRIPTION	No. per Veh.	REMARKS
		IGNITION—continued		
P.56184	s/d by 9227015	SPARKING PLUG	4	
9227024		SPARKING PLUG	4	
9227046	s/d by 9227015	SPARKING PLUG (Set of 4)	1	{ Up to B395000000 BU, B395900000 CKD
9227025		SPARKING PLUG	4	{ From B395000001 BU, B395900001 CKD
P.41121	s/d by 9077608	Washer }	4	
9077608		Washer } Sparking plug	4	
P.42712		Terminal }	4	
P.107030	s/d by 9119540	Cover } Sparking	4	
9119540		Cover } plug	4	
P.100892		High tension cable }	A/R	
1214684	s/d by 1228570	High tension cable }	1	U.S.A. and Canada
1223564	s/d by 1228570	High tension cable }	1	Series I and II
1228570		High tension cable } Coil to distributor	1	Series III up to B9205325
5220943		High tension cable }	1	From B9205326 and
1224172		High tension cable } 54933785	1	Series IV upto B94100630
1235939		High tension cable—Coil to distributor	1	From B94100631 up to B94102677
P.100892		High tension cable—Distributor to sparking plugs	A/R	From B94102678
1218400	s/d by 1228571	High tension cable No. 1 } Distributor 54949208	1	Series III from B9205658
1218401	s/d by 1228572	High tension cable No. 2 } to sparking plugs 54949209	1	and Series IV France only
1218402	s/d by 1228573	High tension cable No. 3 } c/w acorn 54949210	1	up to B94102677
1218403	s/d by 1228574	High tension cable No. 4 } nut 54949211	1	From B94102678—
1228571		High tension cable No. 1 }	1	France only
1228572		High tension cable No. 2 }	1	Up to 1218400—3
1228573		High tension cable No. 3 }	1	
1228574		High tension cable No. 4 }	1	
5220937		High tension cable No. 1 }	1	
5220938		High tension cable No. 2 }	1	
5220939	s/d by 5220940	High tension cable No. 3 }	1	
5220940		High tension cable No. 4 } Distributor to sparking plugs	1	
1224173		High tension cable No. 1 } 54933651	1	
1224174		High tension cable No. 2 } 54933648	1	
1224175		High tension cable No. 3 } 54933645	1	
1224176		High tension cable No. 4 } 54933646	1	
1235099		High tension cable No. 1 }	1	
1235100		High tension cable No. 2 }	1	
1235101		High tension cable No. 3 }	1	
1235102		High tension cable No. 4 }	1	
P.44691		BATTERY, 38 Amp/hour	1	
1046681	s/d by P.44399	BATTERY, 44 Amp/hour	1	
P.44399		BATTERY, 51 Amp/hour	1	Series I and II U.S.A. and Canada

ELECTRICAL EQUIPMENT

Plate Ref.	Part Number	DESCRIPTION	No. per Veh.	REMARKS
		IGNITION—continued		
		BATTERY, 57 Amp/hour (Not supplied)		Series III, IV and V U.S.A. and Canada
	P.42910 s/d by 9056027	Screw } Battery 186111	2	
	9056027	Screw } lug	2	
	19506041 s/d by 19506042	Screw, $\frac{3}{8}$ " UNF. \times $\frac{1}{2}$ " }	1	
	9664242	Washer, $\frac{3}{8}$ " shakeproof } Battery earth	1	
	5220703	Nut, $\frac{3}{8}$ " UNF. ... }	1	
		BATTERY CRADLE AND FITTINGS		See Body fittings
		CONTROL BOX		
		Note. A replacement Control Box is obtainable from Messrs. J. Lucas Ltd. in part exchange for the original.		
E219	1046669	CONTROL BOX—RB106/2 37290		Series I, II and III See note *
E220	K.14116	Resistance, 63 ohms (Barrel type) 334977	1	
	5037501	Resistance, 63 ohms (Flexible type) 54380858	1	
E221	K.21773	Cover 391600	1	
E222	K.19286	Clip—Cover 334906	1	
	39403200 s/d by 39413201	Screw, No. 10 UNF. \times $1\frac{1}{4}$ " }	2	
	39303060 s/d by 39313061	Screw, No. 10 UNF. \times $\frac{3}{8}$ " } Control box	1	
	39313061	Screw, No. 10 UNF. \times $\frac{3}{8}$ " } to dash	1	
	9663121	Washer, No. 10 shakeproof }	1	
	5220690	Bolt, $\frac{1}{4}$ " UNF. \times $\frac{1}{2}$ " } Control box cable	1	
	9660161 s/d by 9660163	Washer, spring... } to earth	1	
		* Note. The Control Box RB106/2 must only be used with (Positive Earth) Dynamo (Generator) part number 1046668.		
	(1800231)	CONTROL BOX—RB340 37344 (Not supplied)		Series IV only See note *
	5038918 s/d by 5044134	Cover, moulded 54381342	1	
	5040241	Resistance—60 ohms (Field) 54380084	1	
	5038920	Resistance—55 ohms (Swamp) 54380438	1	
	39413201	Screw, No. 10 UNF. \times $1\frac{1}{4}$ " } Alternatives	3	
	49353202	Screw, No. 10 UNF. \times $1\frac{1}{4}$ " }	3	
	39303060 s/d by 39313061	Screw, No. 10 UNF. \times $\frac{3}{8}$ " } Control	1	
	39313061	Screw, No. 10 UNF. \times $\frac{3}{8}$ " } box fixing	1	
	9663121	Washer, No. 10 shakeproof	1	
	9034124	Nut, No. 10 UNF.	1	
		* Note. The Control Box RB340 must only be used with (Positive Earth) Dynamo (Generator) part number 1046668.		
E223	1046632 s/d by 1800082	FUSE UNIT 033282	1	Box of 10 Alternatives
	1800082	FUSE UNIT 54038032	1	
	5037982	Cover 54380114	1	
E224	K.7961	Fuse—35 amps. 188218	A/R	
	9732084 s/d by 9772086	Screw, No. 6 \times $\frac{1}{4}$ " }	1	
	39403100	Screw, No. 10 UNF. \times $\frac{3}{8}$ " } Fuse	1	
	9772086	Screw, No. 6 \times $\frac{1}{4}$ " "X" recess } Unit	1	
	9774086	Screw, No. 10 UNF. \times $\frac{3}{8}$ " "X" recess }	1	

ELECTRICAL EQUIPMENT

Plate Ref.	Part Number	DESCRIPTION	No. per Veh.	REMARKS
		SCREEN (Windshield) WIPER		
		Note. A replacement Wiper Motor is obtainable from Messrs. J. Lucas Ltd, in part exchange for the original.		
AB225		MOTOR UNIT—R.H.D. } TYPE 75392	1	Series I— Not supplied Series II—Not supplied Series III and IV, Alpine "260" and up to B382000247
		MOTOR UNIT—L.H.D. } DR3A 75393	1	
		MOTOR UNIT—TYPE DR3A 75442	1	
		MOTOR UNIT—TYPE DR3A (Not supplied) 75462	1	
		MOTOR UNIT—TYPE 6WA (Not supplied) 75552	1	Series V— and Alpine "260" from B392000248
	K.28491	Brush set 729367	1	
	7080062	Brush spring 735631	1	
AB226	K.26655	Parking limit switch 743846	1	Series I
	5041121	Parking limit switch 54712982	1	Series II, III, IV and V
AB227	5038897	Inner cable (Crosshead and rack) 744254	1	Series I and II—Cut to suit
	5042945	Inner cable (Crosshead and rack) 743221	1	Series III onwards—Cut to suit
	1046647	Wheel box 72732A	1	Up to intro. 1219552 and 1206480
	1206200 s/d by 1219552	Wheel box } Driver's 72750	1	
A228	1219552	Wheel box } 75782	1	Series II from B9104616 R.H.D. B9108012 L.H.D. and B9104783 USA & Canada
A229	1206480 s/d by 1219553	Wheel box—Passenger's 72764A	1	
B230	1219552	Wheelbox—Driver's 75782	1	Series III, IV, V and Alpine "260" up to intro. 1235738
B231	1219553	Wheelbox—Passenger's 72775	1	
AB232	5037519	Bush—Spindle—Outer 740880	2	
	5037520	Rubber washer—Bush 740882	2	
	5042613	Nut—Wheelbox fixing 54130691	1	
	1235738	Wheelbox 72809	2	Series V from B395001748 R.H.D., B395002314 L.H.D., B382000248 Alpine "260"
	5037519	Bush—Spindle—Outer 740880	2	
AB233	5044714	Rubber washer—Bush—Rear 54719040	2	
	5042613	Nut—Wheelbox fixing 54130691	2	
	5037280 s/d by 5038341	Arm—R.H.D. 744140	2	
	5037281 s/d by 5038340	Arm—L.H.D. 744139	2	
A234	5038341	Arm—R.H.D. 54710009	2	Series I and II
	5038340	Arm—L.H.D. 54710008	2	
A235	5037521	Blade 54711281	2	
A236	5037606	Rubber and spring 54711743	2	
	K.29844 s/d by 5220189	Retaining cap 737916	2	
A237	5220189	Retaining cap 737916	2	
B238	5041216	Arm—R.H.D. 54712035	2	Series III, IV and V
	5041215	Arm—L.H.D. 54712034	2	
B239	5041217	Blade 54712818	2	
B240	5043741	Rubber 54716221	2	

ELECTRICAL EQUIPMENT

Plate Ref.	Part Number	DESCRIPTION	No. per Veh.	REMARKS	
		SCREEN WIPER—continued			
	5041216	Arm—R.H.D.	54712035	2	} USA/Canada only Series III IV & V up to B395013609
	5041215	Arm—L.H.D.	54712034	2	
	5041217	Blade	54712818	2	
	5043741	Rubber	54716221	2	
		Arm	54715791	2	} USA/Canada from B395013610
		Blade	54701064	2	
		Rubber	54716221	2	
A241	2201789	Tube—R.H.D.	54711648	1	} Series I and II
	2201248	Tube—L.H.D.	54710952	1	
B242	1219554	Tube—R.H.D.	54714914	1	} Series III, IV & V up to B395001747 R.H.D., B395002313 L.H.D., B382000247 Alpine "260"
	1219555	Tube—L.H.D. Motor to wheelbox	54714915	1	
	1236364	Tube—R.H.D.	54719207	1	} Series V from B395001748 R.H.D., B395002314 L.H.D., B382000248 Alpine "260"
	1235479	Tube—L.H.D.	54719174	1	
A243	2201758	Tube } Wheelbox to	54711649	1	} Series I and II
B244	1219556	Tube } wheelbox	54714964	1	
	2201225	s/d by 1044930 Extension tube	54711157	1	} Series III, IV and V
AB245	1044930	Extension tube	740746	1	
AB246	9116104	s/d by 9116014 Grommet—Screen wiper tube	1	} Series I and II
A247	2201211	Bracket } Screen wiper	1	
B248	2218358	Bracket } motor	1	} Series III, IV and V up to intro. 2235390
	2235390	Bracket—Screen wiper motor	1	
	2235391	Carrier—Bracket	1	} Series V from B395001748 R.H.D., B395002314 L.H.D., B382000248 Alpine "260"
	5220690	Screw, 1/4" UNF' x 1/2"	3	
	9067015	Washer, 1/4" plain	3	} Bracket to body
	9664162	s/d by 9664163 Washer, 1/4" shakeproof	3	
	9067016	s/d by 9067015 Washer, 1/4" plain	2	} Series V from B395001748 R.H.D., B395002314 L.H.D., B382000248 Alpine "260"
	9664162	s/d by 9664163 Washer, 1/4" shakeproof	2	
	9510040	Nut, 1/4" UNF.	2	
		FLASHER SYSTEM			
E249	P.45492	s/d by 1046994 FLASHER UNIT	35011	1	} West Germany only
	1046994	FLASHER UNIT—TYPE FL5 (42 watts)	35020	1	
	1801169	FLASHER UNIT—TYPE FL5 (18 watts)	35040	1	} Series I and II
	9732166	s/d by 9732183 Screw, No. 6 x 1"—Flasher unit to body	1	
	9732183	Screw, No. 6 x 1 1/8" } Flasher	1	} Series III and IV up to B94100190
	9020036	Spire nut, No. 6J.	1	
	39611161	Screw, No. 6 UNC. x 1"	1	} From B94100191
	9663092	Washer, No. 6 shakeproof } Flasher unit to body	1	
	9550011	Nut, No. 6 UNC.	1	

ELECTRICAL EQUIPMENT

Plate Ref.	Part Number	DESCRIPTION	No. per Veh.	REMARKS	
OVERDRIVE SYSTEM					
E250	1046644 s/d by 5038172	RELAY UNIT 33213A	1	Series I and II	
	1800385	RELAY UNIT 33199E	1		Series III onwards
	39303080 s/d by 39313081	Screw, No. 10 UNF. × 1/4" } Relay unit	2	} Up to B9200180	
	9660121		Washer, No. 10 spring		2
	9733086 s/d by 9773086	Tapping screw, No. 8 × 1/8" Bdg. } Relay unit	2	} From B9200181	
	9663122 s/d by 9663123		Washer, 3/8" shakeproof ... } to bulkhead		2
		Overdrive switch—See Switches.			
	HORNS AND CONTROLS				
	P.45202		HORN (Type WT618)—Low Note 69046	1	} Up to B9001002
	P.45203		HORN (Type WT618)—High Note 69047	1	
1046964 s/d by 1800587		HORN (Type 725L)—Low Note (Clear Hooter)	1	} From B9001003 up to Series III	
1046963 s/d by 1800588		HORN (Type 725H)—High Note (Clear Hooter)	1		
1800587		HORN—Low Note (Clear Hooter)	1	} Series III onwards	
1800588		HORN—High Note (Clear Hooter)	1		
1800262		HORN—Low Note (Clear Hooter) CT750/S/L	1	} Sweden only	
1800261		HORN—High Note (Clear Hooter) CT750/S/H	1		
1239238		HORN—Low Note	1	France only from B395015244	
5220693		Screw, 1/4" UNF. × 1 1/4" }	4	} Up to B9100235	
1201550			Distance piece		4
19504051 s/d by 19504052		Screw, 1/4" UNF. × 5/8" }	4	} From B9100236	
9660161 s/d by 9660163			Washer, 1/4" spring		4
2239079		Bracket—Horn mounting	1	Series II "Le-Mans"	
5040221		Bracket—Horn support	1		
2225751		Bracket—L.H. Horn	1		
19504051 s/d by 19504052		Bolt, 1/4" UNF. × 5/8" } Horn to	2		
9660161 s/d by 9660163		Washer, 1/4" spring } bracket	2	} * See note	
9510040		Nut, 1/4" UNF.	2		
* Note. From B9204718 Soft Top, B9203887 G.T., B9250157 CKD South Africa up to B94100000 BU, B94600000 CKD. For models fitted with Micro element Air cleaner only.					
E251	1046633	RELAY UNIT—Horn 33209A	1	} Early cars only	
	39303080 s/d by 39313081	Screw, No. 10 UNF. × 1/4" } Relay unit	2		
	9660121		Washer, 3/8" spring		2
STEERING CONTROL COMPLETE (Horns)—TYPE CC2					
A252	5037463	Cover and motif 54300353	1	} Series I and II except "Le-Mans"	
A253	5037464	Horn ring 54300226	1		
A254	K.25948	Contact plate—Top 331755	1		
A255	K.25949	Contact plate—Bottom 331712	1		
	5030142	Spring 331553	3		
	5039976 s/d by 5044324	Nut 169524	3		
	K.25951	Sundry parts set 324965	1		

ELECTRICAL EQUIPMENT

Plate Ref.	Part Number	DESCRIPTION	No. per Veh.	REMARKS
		HORNS AND CONTROLS—continued		
		STEERING CONTROL COMPLETE (Horns) ... 54030006A	1	Series III and IV up to B94100000 } Not supplied
		STEERING CONTROL COMPLETE (Horns) ... 54030006D	1	
		Motif... .. 54300291	1	See Steering and Controls See page RA2
		Clip 54150031	3	
		Adjuster nut	1	
		Nut—Column extension	1	
		Screw, 5/8" UNF. x 3/4" } Adjuster nut to	1	
		Washer, 5/8" plain } column extension nut...	1	
B256	5041256	HORN RING AND CONTACT 54300816	1	
	1206380 s/d by 1228510	Contact plate and striker	1	
	1223764 s/d by 1228510	Contact plate and striker	1	
B257	1228510	CONTACT PLATE AND STRIKER 54300947	1	
		Insulating washer	1	
		Striker—Flasher switch	1	
	1206431	Spring—Earth return 54300933	1	
	5041258	Retaining plate 54300819	1	
	5041257	Bush 54300413	3	
AB258	5030142	Spring 333153	3	
	5039976 s/d by 5044324	Nut, Special 169294	3	
	P.101404 s/d by 9059027	Screw } Horn ring to	3	
	9059023 s/d by 9059027	Screw } hand wheel	3	Up to B941000000 BU, B946000000 CKD.
	39413181	Screw, No. 10 x 1 1/4" "X" Recess } Horn ring to	3	
	9660123	Washer, No. 10 spring } hand wheel	3	From B941000001 BU, B946000001 CKD.
		CABLES, GROMMETS, CONNECTORS AND CLIPS		
	1201346 s/d by 1201612	CHASSIS HARNESS 54942041	1	Up to B9010435 No longer available Series II up to B9105974 From B9105975 up to Series III
	1201612	CHASSIS HARNESS	1	
	1201652	CHASSIS HARNESS	1	
	1206111 s/d by 1216739	CHASSIS HARNESS	1	
	1216739	CHASSIS HARNESS	1	
A259	5037421	Bulb holder—Flasher and ignition 863511	3	Series I and II
	5037422	Bulb holder—Main beam 554734	1	
	K.21116 s/d by K.26785	Bulb	4	Series I and II
A260	K.26785	Bulb, 12 volt, 2.2 watt L987	4	
	1218100 s/d by 1223642	CHASSIS HARNESS—R.H.D.	1	Series III up to 1223642 Series III from B9204718 Soft Top, B9203887 G.T., B9250157 CKD S/Africa up to Series IV
	1223642	CHASSIS HARNESS—R.H.D.	1	
	1218101 s/d by 1223643	CHASSIS HARNESS—L.H.D.	1	Series III up to 1223643 Series III from B9204718 Soft Top, B9203887 G.T., B9250157 CKD S/Africa up to B9204761
	1223643	CHASSIS HARNESS—L.H.D.	1	
	1224155	CHASSIS HARNESS—L.H.D.	1	Series III from B9204762 up to Series IV

ELECTRICAL EQUIPMENT

Plate Ref.	Part Number	DESCRIPTION	No. per Veh.	REMARKS
		CABLES, Etc.—continued		
	1224380 s/d by 1228638	CHASSIS HARNESS—R.H.D. 54935253	1	} Series IV up to B9400589 Soft Top, B9400878 G.T.
	1224381 s/d by 1228639	CHASSIS HARNESS—L.H.D. 54935254	1	
	1228638	CHASSIS HARNESS—R.H.D.	1	} From B9400590 Soft Top, B9400879 G.T.
	1228639	CHASSIS HARNESS—L.H.D.	1	
B261	5220069	Bulb holder ... } Warning 79/820	3	} Series III and IV
B262	K.26644	Bulb, 12 volt, 2 watt } lights L281	3	
	1235794	CHASSIS HARNESS—R.H.D.	1	} Series V up to B395015060
	1235795	CHASSIS HARNESS—L.H.D.	1	
	1238990	CHASSIS HARNESS—R.H.D.	1	} From B395015061 up to intro. 1239752/3
	1238991	CHASSIS HARNESS—L.H.D.	1	
	1239752	CHASSIS HARNESS—R.H.D.	1	} From B395013358 Soft Top B395013399 G.T.
	1239753	CHASSIS HARNESS—L.H.D.	1	
	5220069	Bulb holder ... } Warning 79/820	3	} Series V—Negative Earth
	K.26644	Bulb, 12 volt, 2 watt } lights L281	3	
	1235806	Alternator harness	1	} Series I and II Series III onwards up to intro. 1239754
	1201347	BODY HARNESS	1	
	1206411	BODY HARNESS 54949983	1	} From B395013358 Soft Top B395013399 G.T.
	1239754	BODY HARNESS	1	
	1206326	Cable	1	} Series I and II Series III and IV up to 1224355
	1206420 s/d by 1224355	Cable } Battery negative 54949981 to solenoid switch	1	
	1224355	Cable	1	} Series IV from B9400357 Soft Top, B9400600 G.T. up to Series V
	1046640	Cable } Battery positive 812212	1	
	1206421	Cable } to earth 812210	1	} Positive Series III & IV } Earth
	1235641	Cable—Battery Negative to earth	1	
	1235640	Cable—Battery Positive to Solenoid	1	} Series V (Negative Earth)
	1046939	Cable—Solenoid to Starter Motor	1	
	1046642	Cable—Engine to earth	1	Series IV and V
GROMMETS				
	9118529	Grommet—Speedo and Rev. counter cables and harness ...	A/R	
	9119511	Grommet—Chassis harness	1	
	9118527	Grommet—Choke control and petrol tank lead	4	
	9117521	Grommet—Headlamp lead	2	
	P.43586 s/d by 9118527	Grommet } Rear number	2	} U.S.A. and Canada Series IV and V
	9118527	Grommet } plate lead	2	
	9119612	Grommet—Rear number plate	1	
	9118531	Grommet—Battery leads	1	

ELECTRICAL EQUIPMENT

Plate Ref.	Part Number	DESCRIPTION	No. per Veh.	REMARKS
		CONNECTORS		
	5037284 s/d by 9227100	Lucar connector } 12 amp.	A/R	
	9227100	Lucar connector } female	A/R	
	5037285 s/d by 9227101	Lucar connector } 35 amp.	A/R	
	9227101	Lucar connector } female	A/R	
	P.40883	Connector—Rubber covered	900288	A/R
F263	P.41405	Metal end—Connector	900269	A/R
		CLIPS		
	9179215	Clip }	1	Series I, II and III Series IV Automatic Series IV Standard transmission
	9179215	Clip } Dynamo cable	1	
	9178510	Clip }	1	
	9179044	Clip—Panel light harness	2	
	9179263	Clip—Starter motor cable to solenoid and idler relay	A/R	
	9179023	Clip—Speedometer trip cable	1	
	9179044	Clip—Harness to instrument panel	2	
	9178502	Clip—Cable to pedal bracket—L.H.D.	1	
	9179108	Clip—Flasher switch cable	1	Up to B94100000 BU, B94600000 CKD
	9179012	Clip—Harness to body	1	
	9178532	Clip—Coil to solenoid cable	3	Series IV U.S.A. & Canada
	9178582	Clip—Starter isolating cable	1	Series IV Automatic
	9179013	Clip—Speedo cable to gearbox support	1	
	9179215	Clip—Overdrive cable—Top cover	1	
	9179202	Clip—Overdrive cable—Clutch housing	1	
	9179013	Clip—Harness to gearbox	A/R	

ELECTRICAL EQUIPMENT

Plate Ref.	Part Number	DESCRIPTION	No. per Veh.	REMARKS

Publication No. 660992

SECTION X

BODY MOUNTING

Lit. 023

BODY MOUNTING

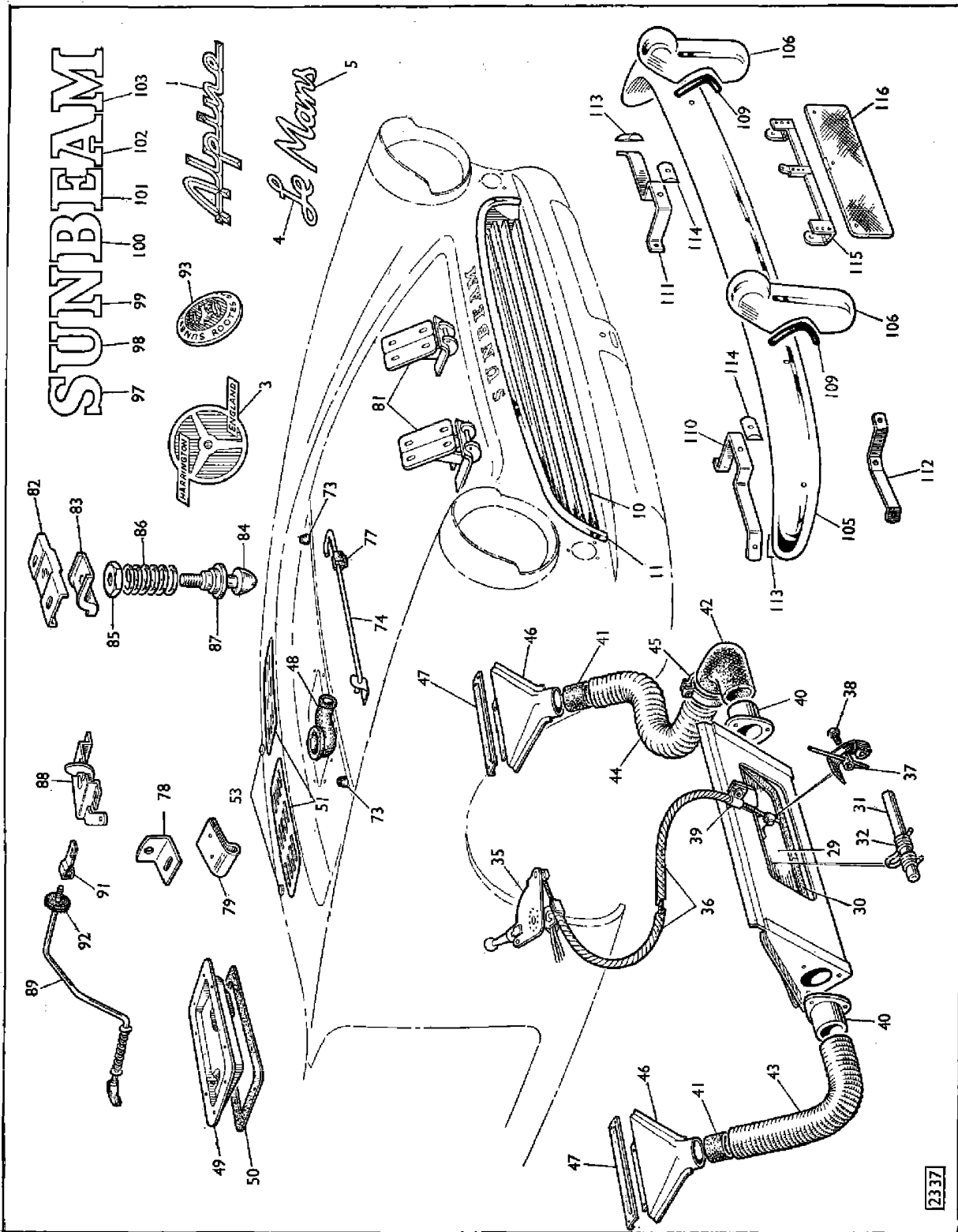
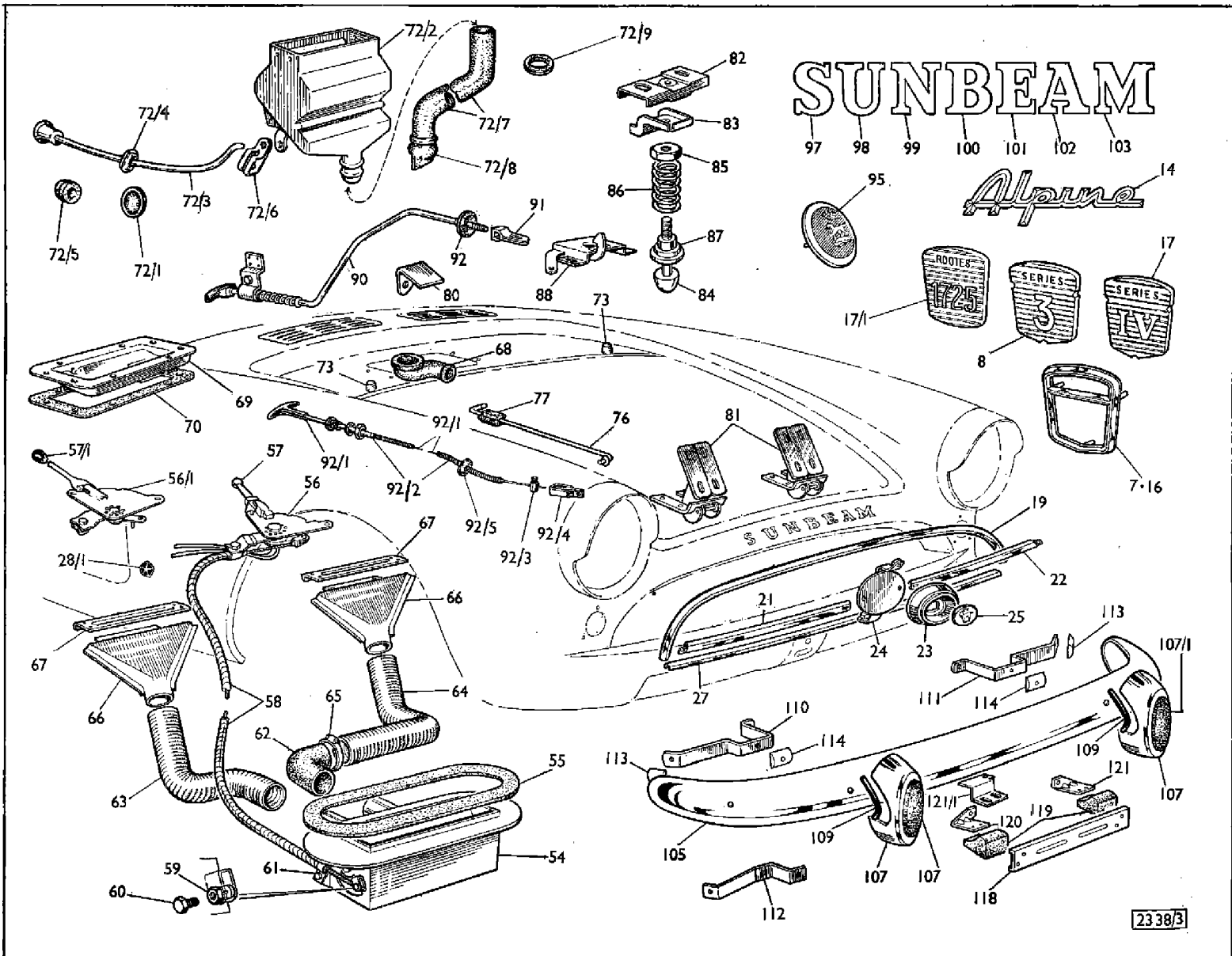


PLATE A — SECTION X

Lit. 023

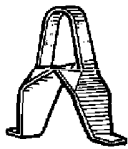


2338/3

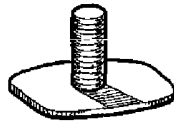
PLATE B - SECTION X

Lit. 023

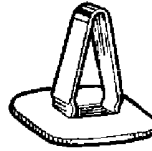
BODY MOUNTING



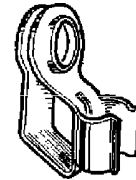
96



13·20



12



75



73



52·72



117



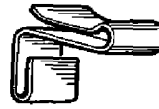
2·6·9·15
18·94·104



53



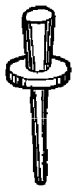
33



26



108



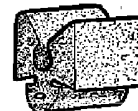
28



34



109



77

2339

PLATE C — SECTION X

Lit. 023

BODY MOUNTING

Plate Ref.	Part Number	DESCRIPTION	No. per Veh.	REMARKS
FRONT WINGS (Fenders) AND RADIATOR GRILLE FITTINGS (Series I, II and III)				
FRONT WING (Fenders)—See Body Shell Section.				
AB1	2201282	NAME PLAQUE—"Alpine"	2	} No longer available } Le-Mans
C2	9132936	Clip—Plaque to wing (fender)	8	
A3	2220938	NAME PLAQUE	2	
A4	2220934	Name plate, "Le"	2	
A5	2220935	Name plate, "Mans"	2	
C6	9132936	Friction bush—Name plate	16	
B7	2225277	Surround	2	
B8	2225278	Insert ... } Motif	2	
C9	9132936	Clip	8	
	2201462 s/d by 2212594	RADIATOR GRILLE	1	
A10	2212594	RADIATOR GRILLE	1	
	9712066	Tapping screw, No. 6 × 3/8" csk. hd.	10	
	9096073	Washer, 3/8" plain	3	
	9663122	Washer, 3/8" shakeproof	3	
	5220700	Nut, No. 10 UNF.	3	
	2201229 s/d by 2207812	FINISHER } Grille	1	
A11	2207812	FINISHER } aperture	1	
C12	9132014	Clip	3	
C13	2212198	Stud plate	8	Use with 2201229
	5220700	Nut, No. 10 UNF. } Finisher to body	8	
	9096073	Washer, 3/8" plain	8	
	9660121	Washer, 3/8" spring	8	
		FRONT WING (Fender) AND AIR INTAKE APERTURE FITTINGS (From Series IV)		
FRONT WING (Fender)—See Body Shell Section.				
B14	2201282	NAME PLAQUE—"Alpine"	2	Up to intro. 2235992 From B395000001 BU and B395900001 CKD
C15	9132936	Clip—Plaque to wing (fender)	8	
B16	2225277	Surround	2	
B17	2223849 s/d by 2231258	Insert ... } Motif—Front	2	
	2231258	Insert ... } wing (fender)	2	
B17/I	2235992	Insert ... }	2	
C18	9132936	Clip	6	
B19	2207812	FINISHER—Air Intake Aperture—Upper	1	
C20	2212198	Stud plate	8	
	9096073	Washer, 3/8" plain ... } Finisher	8	
	9660121	Washer, 3/8" spring ... } to body	8	
	5220700	Nut, No. 10 UNF.	8	
B21	2226288	CENTRE MOULDING, O/S (R.H.) } Air intake	1	
B22	2226289	CENTRE MOULDING, N/S (L.H.) } aperture	1	
B23	2226291	Surround—Centre moulding badge	1	
	9067005	Washer, 3/8" plain	2	
	9663122	Washer, 3/8" shakeproof ... } Surround to mounting bracket	2	
	9550020	Nut, No. 8 UNC.	2	
B24	2226284	Mounting bracket—Badge surround	1	
	39313081	Screw, No. 10 UNF. × 1/4" ... } Mounting bracket	1	
	9663122	Washer, 3/8" shakeproof ... } (upper)	1	
	9067010	Washer, 3/8" plain ... } to body	1	

BODY MOUNTING

Plate Ref.	Part Number	DESCRIPTION	No. per Veh.	REMARKS
		FRONT WING (Fender) AND AIR INTAKE APERTURE FITTINGS—continued		
	19504043	Bolt, 1/4" UNF. x 1/2" ...	1	
	9664162	Washer, 1/4" shakeproof ...	1	} Mounting bracket (lower) to body
	9067014	Washer, 1/4" plain ...	1	
	2227758 s/d by 2231259	BADGE } Centre ...	1	
B25	2231259	BADGE } mounting ...	1	
C26	9130093	Clip—Badge to surround ...	2	
B27	2226290	FINISHER—Air intake aperture—Lower ...	1	
C28	9129560	Clip and rivet—Finisher to body ...	4	
B28/1	2239866	Pentastar medallion—Front wing (Fender) ...	1	USA and Canada only.
		AIR VENTILATION AND DASH FITTINGS (Series I and II)		
		AIR DISTRIBUTION FLAP ...	1	
A29	2201234	Seal ...	1	} No longer available.
A30	2201287	Hinge pin } flap ...	2	
A31	2201232	Spring—Hinge pin ...	2	
A32	2201233	Retaining clip—Hinge pin ...	4	
C33	P.49242	Seal—Air flap rear ...	1	
C34	2201495	Air deflector ...	1	Not supplied
	9732046	Screw, No. 8 x 1/4"—Air deflector to tunnel ...	4	
A35	1046566	AIR FLAP CONTROL c/w Blower Switch ...	1	
	K.24439	Knob—Control ...	1	
	19503052	Bolt, No. 10 UNF. x 1/2" ...	2	
	9661123	Washer, 1/8" spring ...	2	
	9067011	Washer, 1/8" plain ...	4	From B9118780 R.H.D. and B9118766 L.H.D.
	5220700	Nut, No. 10 UNF. ...	2	
	2201358 s/d by 1201379	Control cable ...	1	
A36	1201379	Control cable ...	1	
A37	P.117479	Trunnion ...	1	
A38	9003006	Screw—Trunnion ...	1	
A39	2201361	Cable clamp ...	1	
	39313081	Screw, No. 10 UNF. x 1/2" ...	1	
	9662122	Washer, 1/8" shakeproof ...	1	} Cable clamp
	5220700	Nut, No. 10 UNF. ...	1	
A40	2201288	Tube—Demister ...	2	
	49210082	Screw—Tube to heater box ...	6	
A41	2201360	Sleeve } Demister ...	2	Up to B9107073
A42	2201362	Elbow } hose ...	1	
	2201359 s/d by 2212392	Demister hose—Driver's side ...	1	} Up to B9104073
	2201458 s/d by 2212393	Demister hose—Passenger's side ...	1	
A43	2212392	Demister hose—Driver's side ...	1	} From B9107074
A44	2212393	Demister hose—Passenger's side ...	1	
A45	9784281	Clip—Elbow to tube and hose ...	2	
A46	2201286	Demister nozzle ...	2	
	9731064	Screw, No. 4 x 1/4"—Nozzle to scuttle ...	4	
A47	2201274	Bezel—Demister nozzle ...	2	
	9761085	Screw, No. 4 x 1/4" } Bezel to ...	4	
	9050147	Screw ... } scuttle ...	4	

BODY MOUNTING

Plate Ref.	Part Number	DESCRIPTION	No. per Veh.	REMARKS
AIR VENTILATION AND DASH FITTINGS—continued (Series I and II)—continued				
A48	2201212	AIR INTAKE ELBOW	1	Not used when blower fitted
A49	2201276	Sealing plate—Heater box	1	
A50	2201279	Gasket	1	Sealing plate
	39303080	Screw, No. 10 × ½" } to bulkhead	8	
A51	2201406	Grille panel—Scuttle panel top	2	When heater not fitted
C52	P.43759	Clip—Grille panel to scuttle	4	
	2200900	Grommet—Sealing bulkhead	2	
	9118507	Grommet—Blanking steering column aperture	1	
CA53	2201899	Escutcheon—Blanking screen washer holes	2	
AIR VENTILATION AND DASH FITTINGS (From Series III)				
B54	2220700	Valve }	1	Up to intro. 2239056 From B39500298 Std., B395003556 G.T. B382001500 Tiger 260
	2239056	Valve } Ventilator	1	
B55	2220701	Seal—Heater outlet	1	Up to B9400272
	1206471	s/d by 1223545 Air control } c/w blower switch	1	
B56	1223545	Air control } and leads	1	Up to intro. 1224389
B57	K.24439	Knob—Control	1	
	1223615	Air control c/w blower switch and leads	1	From B9400273 up to intro. 1229331
B56/1	1229331	Air control	1	
B57/1	1224389	s/d by 1238829 Knob—Control	1	From B94100001 BU and B94600001 CKD
	5220684	Bolt, No. 10 UNF. × ½" }	2	
	9660122	Washer, ⅜" spring } Air	2	control
	9067011	Washer, ⅜" plain }	4	
	5220700	Nut, No. 10 UNF. }	2	
B58	1206478	Control cable	1	Up to intro. H.111484 From B94100001 BU and B94600001 CKD
B59	P.117379	Trunion	1	
B60	9003006	Screw—Trunion	1	Up to intro. H.111484 From B94100001 BU and B94600001 CKD
B61	2201361	Cable clamp	1	
	H.111484	Cable clamp	1	
	39711122	Screw, No. 6 UNC. × ¾" }	3	Series III Soft Top
	9067091	Washer, ⅜" plain } Heater and Ventilator	3	
	9663093	Washer, No. 6 shakeproof } control finisher	3	
	9670633	Washer, No. 6 plain } to fascia	3	
	9550100	Nut, No. 6 UNC. }	3	
B62	2201362	Elbow	1	Demister hose—Driver's side
B63	2217068	Demister hose—Driver's side	1	
B64	2217069	Demister hose—Passenger's side	1	Clip—Elbow to hose
B65	9784281	Clip—Elbow to hose	2	
B66	2201286	Demister nozzle	2	Screw, No. 4 × ⅜"—Nozzle to scuttle
	9731064	Screw, No. 4 × ⅜"—Nozzle to scuttle	4	
B67	2201274	Bezel—Demister nozzle	2	Bezel to
	9761086	Screw, No. 4 × ⅜" } Bezel to	4	
	9050067	Screw, No. 8 × ⅜" } scuttle	4	
B68	2201212	AIR INTAKE ELBOW	1	Not used when blower fitted
B69	2201276	Sealing plate—Heater box	1	
B70	2201279	Gasket	1	Sealing plate
	39303080	Screw, No. 10 × ½" } to bulkhead	8	

BODY MOUNTING

Plate Ref.	Part Number	DESCRIPTION	No. per Veh.	REMARKS
AIR VENTILATION AND DASH FITTINGS—continued				
(From Series III)—continued				
B71	2201406	Grille panel—Scuttle panel top	2	
C72	P.43759	Clip—Grille panel to scuttle	4	
B72/1	2200900	Grommet—Sealing bulkhead	2	When heater not fitted
	9118507	Grommet—Blanking steering column aperture	1	
B72/2	2235746	Footwell ventilator, O/S (R.H.)	1	} From B395000001 BU and B395900001 CKD
	2235747	Footwell ventilator, N/S (L.H.)	1	
	2235748	Footwell ventilator, O/S (R.H.)	1	
	2235749	Footwell ventilator, N/S (L.H.)	1	
B72/3	2235482	Control rod assembly, O/S (R.H.)	1	
	2235481	Control rod assembly, N/S (L.H.)	1	
	2235480	Control rod assembly, O/S (R.H.)	1	
	2235483	Control rod assembly, N/S (L.H.)	1	
B72/4	2223590	Grommet—Passenger side } Control rod	1	
B72/5	9116166	Grommet ... } support bracket	2	
B72/6	9132512	Clip—Linkage	2	
B72/7	2236004	Drain tube—Footwell ventilator	2	
B72/8	1206532	Non-return valve—Drain tube	2	
B72/9	2239522	Grommet—Drain tube	2	From B395007713 Alpine and B382100100 Tiger 260
BONNET (Hood)				
BONNET (Hood) PANEL—See Body Shell Section.				
	2223898	Insulation—Bonnet (Hood) panel	1	} Series III and IV "G.T." up to B9404728
	9130077	Clip	6	
	2223890	Support	1	
	2201275	Buffer } Bonnet	2	
	2207620	Buffer } (Hood)	2	
	2201857	Washer, seating	2	
	9660161	Washer, 1/4" spring	2	
	9520040	Nut, 1/4" UNF. lock	4	
	2201284	STAY	1	
	2201882	STAY } Bonnet (Hood)	1	
	2207690	STAY	1	} Up to B9002706
A74	P.49280	Clip (No longer available)	2	
C75	9067015	Washer, 1/4" plain	2	
	2207875	STAY } Bonnet	1	
	2212513	STAY } (Hood)	1	
	9075011	Washer, 1/4" compression	1	
	9067014	Washer, 1/4" plain	1	
	2217050	STAY—Bonnet (Hood)	1	
	9086005	Washer, 3/8" D.C.	1	
	9067023	Washer, 3/8" plain	1	
	9122215	Washer—Rubber	1	} From B9002707 up to B9110816
	2201586	Retainer—Stay to bulkhead	1	
	2201592	Retainer	1	
	2207691	Retainer	1	
	2212512	Retainer } Stay to bonnet (hood)	1	
	2217047	Retainer	1	
	2201892	HINGE } Bonnet	2	
	2212589	HINGE } (Hood)	2	
	2212589	HINGE } (Hood)	2	

BODY MOUNTING

Plate Ref.	Part Number	DESCRIPTION	No. per Veh.	REMARKS
		BONNET (Hood)—continued		
	19504051	Bolt, 1/4" UNF. x 1/2" ...	20	
	9067017	Washer, 1/4" plain ...	20	
	9664163	Washer, 1/4" shakeproof ...	20	
	2201870	s/d by 2233631 Plate c/w boss } Striker ...	1	
AB82	2233631	Plate c/w boss } pin ...	1	See Data 2G/268
	2201824	Plate } Safety ...	1	Series I, II and III
AB83	2228974	Plate } catch ...	1	From Series IV
	5220690	Bolt, 1/4" UNF. x 1/2" ...	2	
	9067018	Washer, 1/4" plain ...	2	
	9661161	Washer, 1/4" spring ...	2	
AB84	2201267	Striker pin ...	1	
AB85	2201268	Locknut ...	1	
AB86	2201869	Spring ...	1	
AB87	2201270	Retainer cup ...	1	
	2201271	s/d by 2217075 Catch plate } Bonnet (hood) ...	1	
AB88	2217075	Catch plate } striker ...	1	
	19504031	Screw, 1/4" UNF. x 3/8" ...	3	
A89	2207510	Control rod c/w handle } Bonnet (hood) ...	1	Series I and II
B90	2220880	Control rod c/w handle } catch ...	1	
	19503042	Screw, No. 10 UNF. x 1/2" ...	2	
	9663123	Washer, 1/8" shakeproof ...	2	
AB91	2207509	Slide—Control rod ...	1	From Series III up to
	9520040	Nut, 1/4" UNF. lock ...	1	B395004385 Alpine and
	9564040	Nut, 1/4" UNF. square ...	1	B382001825 Tiger 260
ABC92	9118516	Grommet—Control rod to bulkhead ...	2	
		BONNET CONTROL CABLE ASSEMBLY		Not supplied
B92/1	5057966	Knob and Wire ...	1	
B92/2	5057967	Body and Tube ...	1	From B395004386 Alpine
B92/3	2211054	Nipple } Control ...	1	and B382001826 Tiger 260
B92/4	2237079	Slide } cable ...	1	(See Data 2G/325)
B92/5	9118516	Grommet—Control cable to bulkhead ...	1	
A93	2201283	BADGE—Bonnet (Hood) ...	1	Series I and II
C94	9132936	Friction bush—Badge to Bonnet (Hood) ...	2	
B95	2220875	BADGE—Bonnet (Hood) ...	1	From Series III
C96	9132909	Friction bush—Badge to Bonnet (Hood) ...	2	
AB97	2201600	"S" ...	1	
AB98	2201601	"U" ...	1	
AB99	2201602	"N" ...	1	
AB100	2201603	"B" ...	1	
AB101	2201604	"E" ...	1	
AB102	2201605	"A" ...	1	
AB103	2201606	"M" ...	1	
C104	9132936	Friction bush } Name ...	14	
	2201833	Washer ... } letters ...	14	

BODY MOUNTING

Plate Ref.	Part Number	DESCRIPTION	No. per Veh.	REMARKS
FRONT AND REAR BUMPERS				
Note. A replacement bumper bar is available in part exchange for the original.				
AB105	2201290	BUMPER BAR—Front	1	Up to intro. 2243220 NAS & Germany, also all Markets from * Note
AB105	2201290	BUMPER BAR—Rear	1	
	2243220	BUMPER BAR—Rear	1	
*Note. Fitted on and from Chassis Nos.— B395016692/3, B395016703, B395016708/9, B395016711/12, B395016714, B395016717, B395016719/20, B395016722-B395016729 inclusive, B395016731/2/3, B395016735/6/7, B395016739-B395016743 inclusive, B395016745, B395016746/7, B395016749, B395016753 inclusive, B395016755/6, B395016758, B395016760 to B395016767 inclusive, B395016769, B395016772/3, B395016777, then from B395016779 onwards.				
A106	2201292	OVERRIDER ...	4	Series I, II and III
B107	2226483 s/d by 5115347	OVERRIDER c/w Rubber Buffer ...	4	
	5115347	OVERRIDER c/w Rubber Buffer and $\frac{3}{8}$ " bolt (Alternative)	4	From Series IV
B107/1	2226360	Buffer—Overrider ...	4	
C108	9206518	Clip—Buffer to overrider ...	8	
ABC109	2201442	s/d by 9233845 Finisher strip—Overrider to bumper	8	
AB110	2201294	Back bar, O/S (R.H.) } Front bumper	1	
AB111	2201295	Back bar, N/S (L.H.) } bumper	1	
AB112	2201299	Back bar—Rear bumper	2	
	2201296	Bolt, $\frac{7}{16}$ " UNF.	4	
AB113	2201297	Distance piece ...	4	
	9067046	Washer, $\frac{7}{16}$ " plain } Back bar to bumper—Outer	4	
	9660281	Washer, $\frac{7}{16}$ " spring	4	
	5220704	Nut, $\frac{7}{16}$ " UNF.	4	
	19107111	Bolt, $\frac{7}{16}$ " UNF. $\times 1\frac{3}{4}$ "	4	
AB114	2201297	Distance piece ...	4	
	9067046	Washer, $\frac{7}{16}$ " plain } Back bar to overrider	4	
	9660281	Washer, $\frac{7}{16}$ " spring } and bumper	4	
	19508081	Screw, $\frac{1}{2}$ " UNF. $\times 1"$	2	
	9067058	Washer, $\frac{1}{2}$ " plain } Front bumper to frame	A/R	
	9660321	Washer, $\frac{1}{2}$ " spring	2	
	2201300	Distance piece ...	2	4 off "Le-Mans"
	19108143	Bolt, $\frac{1}{2}$ " UNF. $\times 1\frac{3}{4}$ "	2	
	19108183	Bolt, $\frac{7}{16}$ " UNF. $\times 2\frac{1}{4}$ " } Rear bumper	2	"Le-Mans"
	9067058	Washer, $\frac{1}{2}$ " plain } to frame	2	
	9660321	Washer, $\frac{1}{2}$ " spring	2	
	2201729	Sealing washer	2	
FRONT NUMBER PLATE HANGER				
A115	2201670	Adjustable frame } Number	1	No longer available
A116	2201671	Support plate ... } plate	1	
	9067008	Washer, $\frac{3}{8}$ " plain } Support plate to	3	Series I and II
	5220700	Nut, No. 10 UNF. } adjustable frame	3	
C117	2201587	Fastener—Adjustable frame to body	1	

BODY MOUNTING

Plate Ref.	Part Number	DESCRIPTION	No. per Veh.	REMARKS
		FRONT NUMBER PLATE HANGER—continued		
B118	2204300	HANGER BRACKET—Front number plate	1	From Series III
B119	2204299	Buffer—Bracket	2	
B120	2218404	Mounting bracket, O/S (R.H.)	1	Series III and IV up to B94102649
B121	2218405	Mounting bracket, N/S (L.H.)	1	
	39313101	Screw, No. 10 × ½" P.H. } Hanger bracket	4	
	9067013	Washer, ⅜" plain } to	4	
	5220700	Nut, No. 10 UNF. } mounting bracket	4	
	2233567	s/d by 2204300 HANGER BRACKET } Front	1	
	2208052	s/d by 2204300 HANGER BRACKET } number plate	1	From B94102650
B121/1	1124650	Mounting bracket, O/S (R.H.)	1	
	2234651	Mounting bracket, N/S (L.H.)	1	
	39112101	Screw, No. 8 UNF. × ⅜" csk. } Mounting bracket	4	
	9067006	Washer, ⅜" plain } to hanger bracket	4	
	9663112	Washer, No. 8 shakeproof } to hanger bracket	4	
	9510020	Nut, No. 8 UNF. } to hanger bracket	4	
	19504051	Screw, ¼" UNF. × ⅜" } Mounting bracket	2	
	9664162	Washer, ¼" shakeproof } to body	2	
	2233271	Carrier—Front number plate	1	
	39313081	Screw, No. 10 UNF. × ½" } Carrier	2	
	9663123	Washer, ⅜" shakeproof } Carrier	2	
	5220700	Nut, No. 10 UNF. } Carrier	2	U.S.A. and Canada

BODY MOUNTING

Plate Ref.	Part Number	DESCRIPTION	No. per Veh.	REMARKS

Publication No. 660092

SECTION YV

BODY FITTINGS Series I & II

IMPORTANT NOTICE

For details of The Harrington "Le Mans" Model
reference should be made to Section YW.

BODY FITTINGS—Series I and II

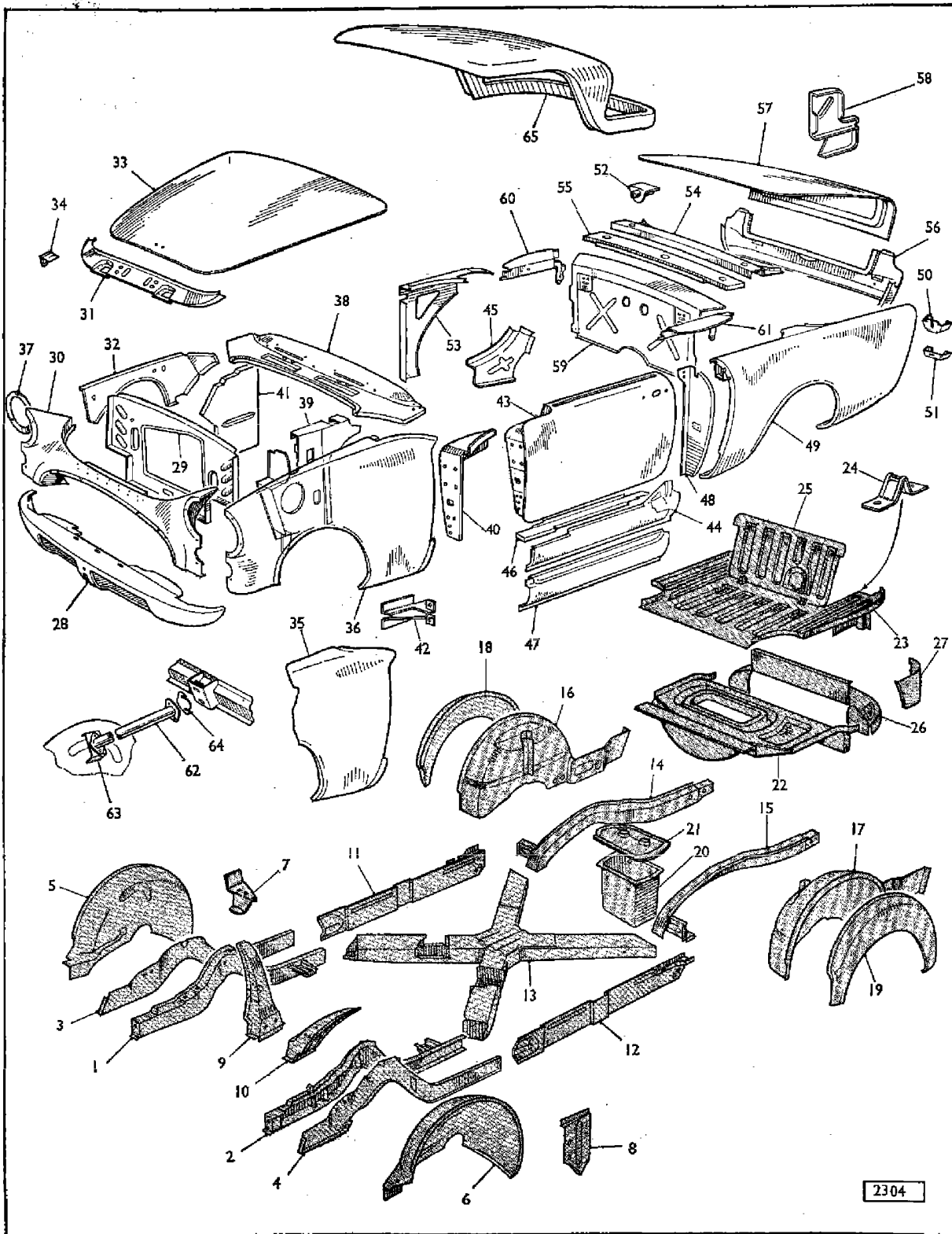
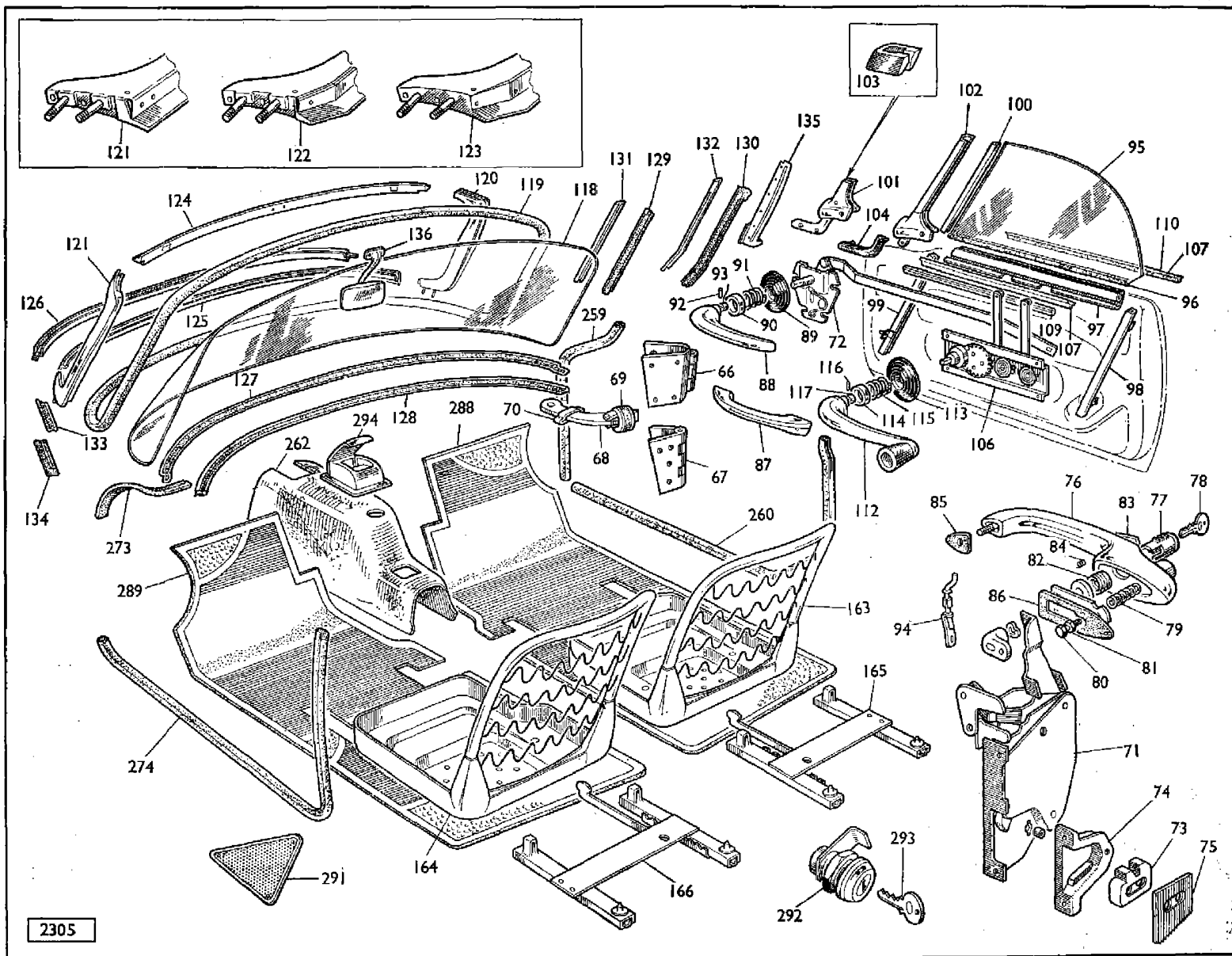


PLATE A — SECTION YV



2305

PLATE B — SECTION YV

BODY FITTINGS — Series I and II

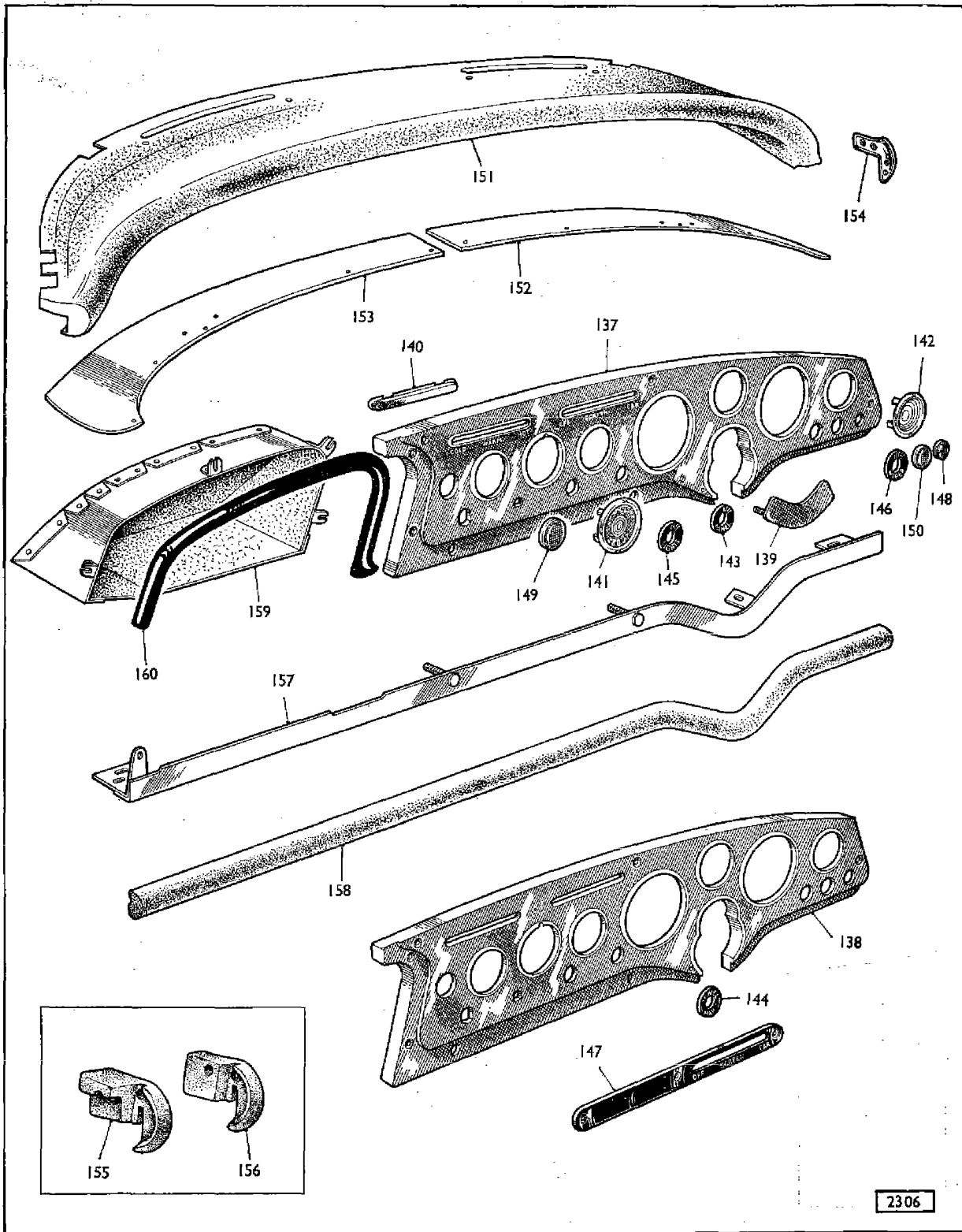


PLATE C — SECTION YV

BODY FITTINGS—Series I and II

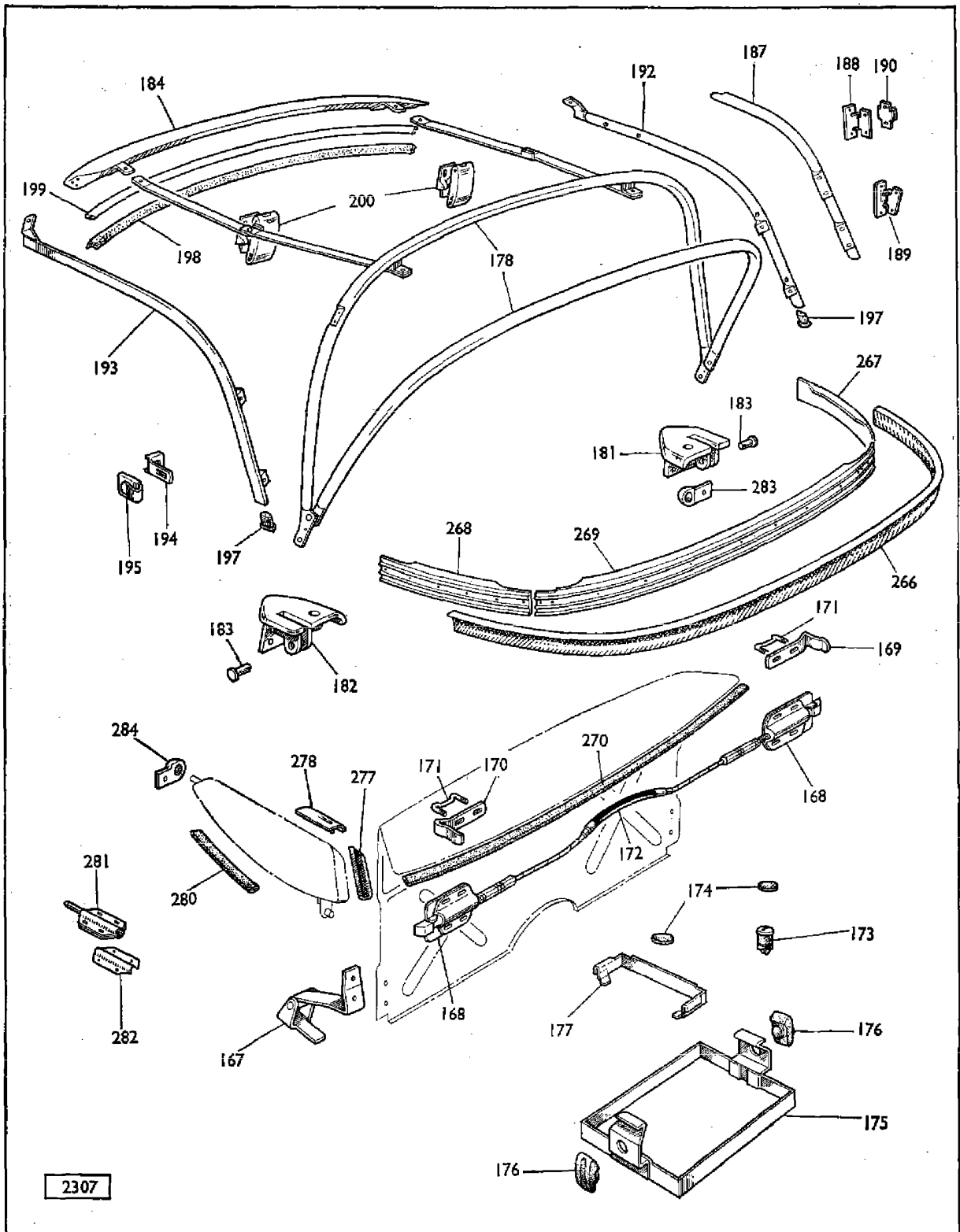


PLATE D—SECTION YV

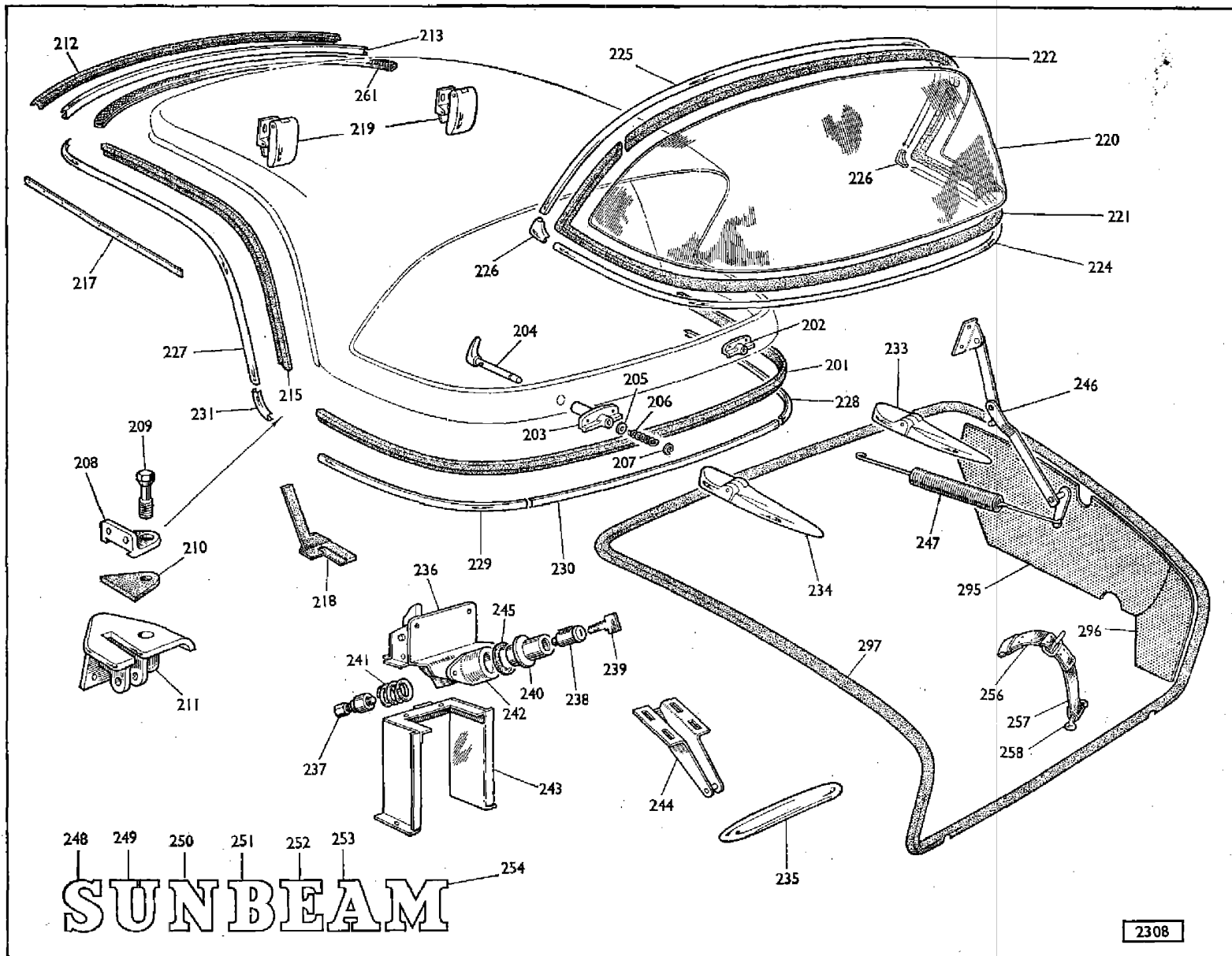


PLATE E — SECTION YV

BODY FITTINGS — Series I and II

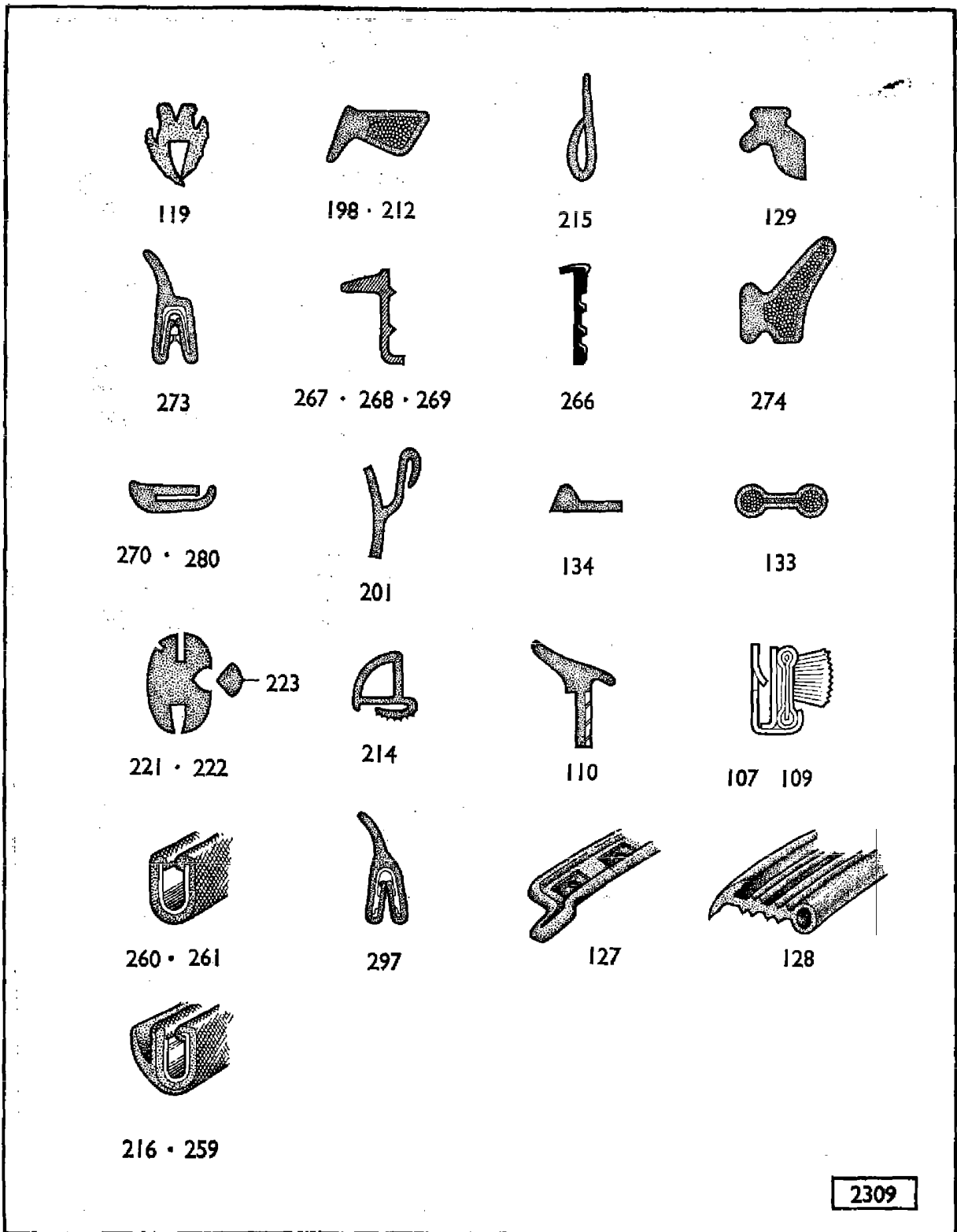


PLATE F — SECTION YV

BODY FITTINGS — Series I and II

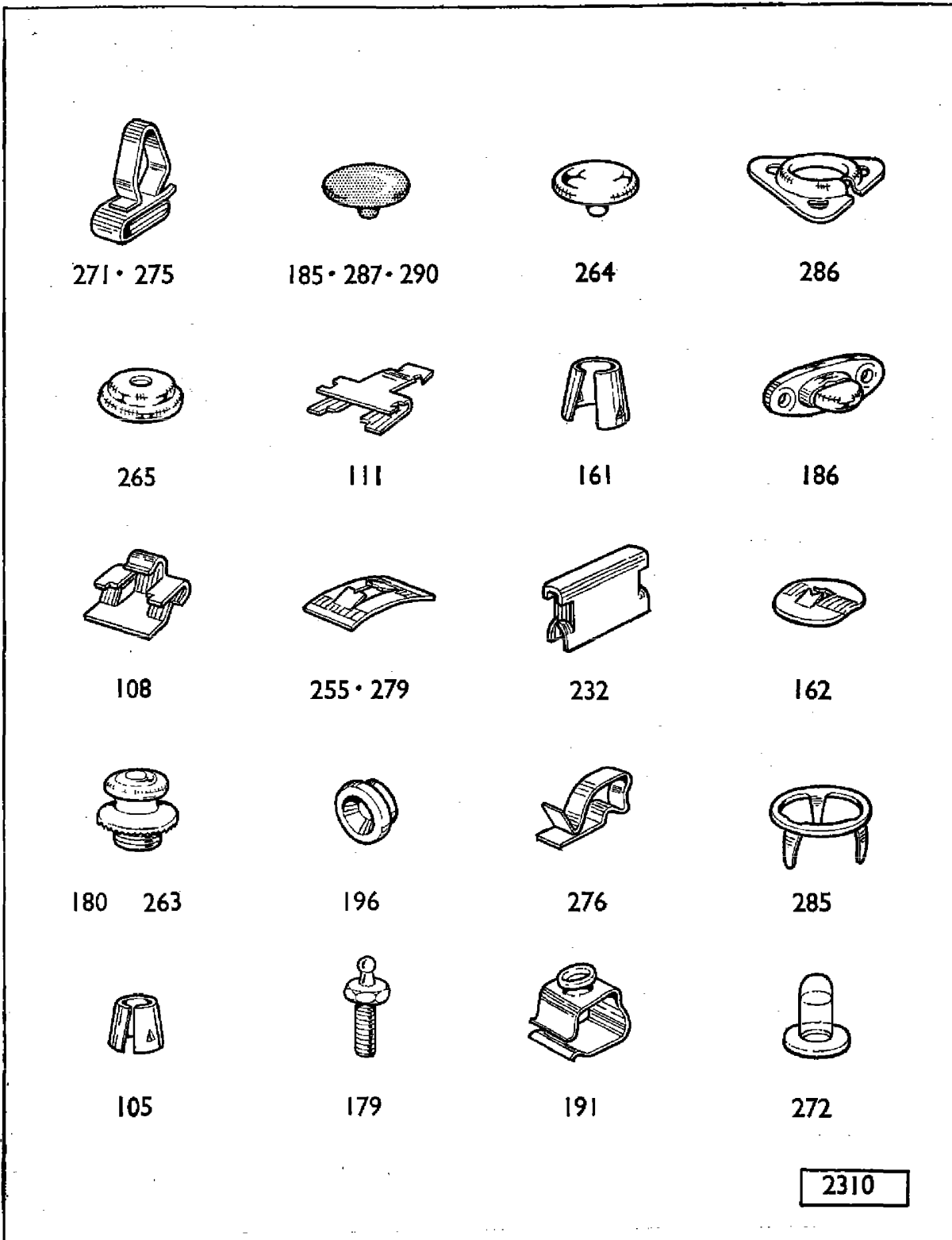


PLATE G — SECTION YV

BODY FITTINGS — Series I and II

Plate Ref.	Part Number	DESCRIPTION	No. per Veh.	REMARKS
	2201308	BODY SHELL	1	Series I
	2212362	BODY SHELL	1	Series II up to B9108663
	5240476	BODY SHELL	1	From B9108664
		UNDERFRAME SECTION		
	2122362	Front side member, O/S (R.H.)	1	} Series I and II up to B9108663
	2122363	Front side member, N/S (L.H.)	1	
A1	2218784	Front side member, O/S (R.H.)	1	} Series II from B9108664
A2	2218785	Front side member, N/S (L.H.)	1	
A3	H.117952	Reinforcement plate, O/S (R.H.)	1	
A4	H.117953	Reinforcement plate, N/S (L.H.)	1	
A5	2122358	s/d by 2225854 Front wheelarch panel, O/S (R.H.)	1	
A6	2122359	s/d by 2236031 Front wheelarch panel, N/S (L.H.)	1	
A7	H.114512	Horn mounting bracket, O/S (R.H.)	1	
	2122373	Horn mounting bracket, N/S (L.H.)	1	
A8	2217028	s/d by 2228959 Voltage control bracket	1	From B9110773
A9	H.109222	Stay, O/S (R.H.)	1	} Wheelarch to sidemember
A10	H.109223	Stay, N/S (L.H.)	1	
A11	H.112770	s/d by 2226542 Inner sill, O/S (R.H.)	1	
A12	H.112771	s/d by 2226543 Inner sill, N/S (L.H.)	1	
A13		Cross brace		Not supplied
	2122368	Rear side member, O/S (R.H.)	1	} Series I
	2122369	Rear side member, N/S (L.H.)	1	
A14	2208844	Rear side member, O/S (R.H.)	1	} Series II
A15	2208845	Rear side member, N/S (L.H.)	1	
A16	2122392	Rear wheelarch panel, O/S (R.H.)	1	} Inner
A17	2122393	Rear wheelarch panel, N/S (L.H.)	1	
	5240140	s/d by 2122320 Rear wheelarch panel, O/S (R.H.)	1	} Outer
	5240141	s/d by 2122321 Rear wheelarch panel, N/S (L.H.)	1	
A18	2122320	Rear wheelarch panel, O/S (R.H.)	1	
A19	2122321	Rear wheelarch panel, N/S (L.H.)	1	
A20	2202405	s/d by 2245593 Battery box	1	
A21		Cover—Battery box		Not supplied
A22	2122380	Sparewheel floor panel	1	
A23	2122364	Luggage floor panel	1	
	2122382	s/d by 2208250 Spring	2	} Catch
A24	2208250	Spring	2	
		Rivet—Spring		Not supplied
A25	2122365	Sparewheel lid panel	1	
	H.78886	s/d by 9119012 Grommet—Spare wheel lid	2	
A26	2122350	Closing panel—Spare wheel floor—Lower	1	
	2122346	Closing panel, O/S (R.H.)	1	} Luggage floor to body side
A27	2122347	Closing panel, N/S (L.H.)	1	
		BODY SHELL SECTION		
A28	2201032	s/d by 2235402 Front apron	1	
A29	2200911	s/d by 2225853 Radiator support panel	1	
	2225853	Radiator support panel	1	
	5240161	s/d by 2239548 Bonnet surround panel	1	} Front
	5240248	s/d by 2239548 Bonnet surround panel	1	
A30	5240471	s/d by 2239548 Bonnet surround panel	1	
				See 2G/192 Use with 2217143

BODY FITTINGS — Series I and II

Plate Ref.	Part Number	DESCRIPTION	No. per Veh.	REMARKS
BODY SHELL—continued				
BODY SHELL SECTION—continued				
A31	2200991 s/d by 2218456	Bonnet surround panel—Front inner	1	} Up to B9005739
	2201036 s/d by 2207708	Valance panel, O/S (R.H.)	1	
	2201037 s/d by 2207713	Valance panel, N/S (L.H.)	1	
	2207708 s/d by 2225186	Valance panel, O/S (R.H.)	1	
	2207713 s/d by 2225187	Valance panel, N/S (L.H.)	1	
A32	2211932 s/d by 2225186	Valance panel, O/S (R.H.)	1	} From B9005740
	2211933 s/d by 2225187	Valance panel, N/S (L.H.)	1	
	2200999 s/d by 2225852	Bonnet panel	1	}
	2207711 s/d by 2225852	Bonnet panel	1	
	2212514 s/d by 2225852	Bonnet panel	1	
A33	2217045 s/d by 2225852	Bonnet panel (Less stay retainer bracket)	1	} From B9110817
A34	2217047	Retainer bracket—Bonnet stay	1	
	5240146 s/d by 5240246	Front wing panel, O/S (R.H.)	1	} Up to B9005309
	5240147 s/d by 5240247	Front wing panel, N/S (L.H.)	1	
	5240246	Front wing panel, O/S (R.H.)	1	
A35	5240247	Front wing panel, N/S (L.H.)	1	} From B9005310 } Sec 2G/156
A36	5240270 s/d by 2225856	Front wing panel, O/S (R.H.)	1	
	5240269 s/d by 2225857	Front wing panel, N/S (L.H.)	1	}
	2207890	“A” post outer panel, O/S (R.H.)	1	
	2207891	“A” post outer panel, N/S (L.H.)	1	
	2207698 s/d by 2217143	Attachment plate } Headlamp	2	
A37	2217143	Attachment plate } Headlamp	2	} From B9002279 } Up to B9005309 } From B9005310
	5240145	Scuttle panel	1	
A38	5240271	Scuttle panel	1	}
	5240148	Inner closing panel, O/S (R.H.) } Bulkhead to	1	
A39	5240149	Inner closing panel, N/S (L.H.) } scuttle side	1	} Up to B9005189
	2201046 s/d by 2212232	Closing panel, O/S (R.H.)	1	
	2201047 s/d by 2212233	Closing panel, N/S (L.H.) } “A” post	1	
	2212232	Closing panel, O/S (R.H.)	1	} From B9005190
A40	2212233	Closing panel, N/S (L.H.)	1	
	2201038 s/d by 2212204	End support panel, O/S (R.H.)	1	} Bulkhead crossmember
	2201039 s/d by 2212205	End support panel, N/S (L.H.)	1	
	2207644 s/d by 2212204	End support panel, O/S (R.H.)	1	
	2207645 s/d by 2212205	End support panel, N/S (L.H.)	1	
	2211934 s/d by 2212204	End support panel, O/S (R.H.)	1	
	2211935 s/d by 2212205	End support panel, N/S (L.H.)	1	
A41	2212204	End support panel, O/S (R.H.)	1	}
	2212205	End support panel, N/S (L.H.)	1	
A42	2200963	Checkstrap bracket	2	} Up to B9001394 } From B9001395 up to B9007324 } From B9007325 up to Series II } From B9001395 up to Series II
	2200930 s/d by 2207514	Door shell, O/S (R.H.)	1	
	2200931 s/d by 2207515	Door shell, N/S (L.H.)	1	
	2207514	Door shell, O/S (R.H.)	1	
	2207515	Door shell, N/S (L.H.)	1	
	2207718 s/d by 2207850	Door shell, O/S (R.H.)	1	
	2207719 s/d by 2207851	Door shell, N/S (L.H.)	1	
	2207850 s/d by 2212530	Door shell, O/S (R.H.)	1	
	2207851	Door shell, N/S (L.H.)	1	

BODY FITTINGS — Series I and II

Plate Ref.	Part Number	DESCRIPTION	No. per Veh.	REMARKS
		BODY SHELL—continued		
		BODY SHELL SECTION—continued		
	2212274 s/d by 2212530	Door shell, O/S (R.H.)	1	
	2212275 s/d by 2212531	Door shell, N/S (L.H.)	1	
	2212458 s/d by 2212530	Door shell, O/S (R.H.)	1	
	2212459 s/d by 2212531	Door shell, N/S (L.H.)	1	
	2212522 s/d by 2212530	Door shell, O/S (R.H.)	1	
	2212523 s/d by 2212531	Door shell, N/S (L.H.)	1	
	2212530 s/d by 2225860	Door shell, O/S (R.H.)	1	
A43	2212531 s/d by 2225861	Door shell, N/S (L.H.)	1	} Series II
	2200938	Sill panel, O/S (R.H.)	1	
A44	2200939	Sill panel, N/S (L.H.)	1	} Intermediate
A45	2200936	Sill gusset, O/S (R.H.)	1	
	2200937	Sill gusset, N/S (L.H.)	1	} Inner
	2201348	Sill panel, O/S (R.H.)	1	
A46	2201349	Sill panel, N/S (L.H.)	1	} Top
	2200948 s/d by 2218102	Sill panel, O/S (R.H.)	1	
A47	2200949 s/d by 2218103	Sill panel, N/S (L.H.)	1	} Outer
	2200944 s/d by 2218058	Centre pillar panel, O/S (R.H.)	1	
A48	2200945 s/d by 2218059	Centre pillar panel, N/S (L.H.)	1	
	5240150 s/d by 2225184	Rear wing panel, O/S (R.H.)	1	
	5240151 s/d by 2225185	Rear wing panel, N/S (L.H.)	1	
	5240412 s/d by 2225184	Rear wing panel, O/S (R.H.)	1	
	5240411 s/d by 2225185	Rear wing panel, N/S (L.H.)	1	
	2225184	Rear wing (fender), O/S (R.H.)	1	} When using 2225184 as replacement for Series I or II use also items marked § on Page U1 Up to B9004163
A49	2225185	Rear wing (fender), N/S (L.H.)	1	
	2200962	Strap	4	} From B9004164
A50	2218410	Strap—Upper	2	
A51	2207841	Strap—Lower	2	
A52	2201328	Mounting bracket, O/S (R.H.)	1	} Trunk lid stay
	2201329	Mounting bracket, N/S (L.H.)	1	
A53	2201056	Quarter panel, O/S (R.H.)	1	} Rear wing (fender) inner
	2201057	Quarter panel, N/S (L.H.)	1	
A54	5240152 s/d by 2224706	Tonneau panel	1	
A55	2200955	Reinforcement panel—Tonneau panel	1	
A56	2200910 s/d by 2218307	Rear lower panel	1	
	2201015 s/d by 2224702	Trunk lid panel	1	
A57	2207705 s/d by 2224702	Trunk lid panel	1	
A58	2201062	Closing panel, O/S (R.H.)	1	} Trunk side
	2201063	Closing panel, N/S (L.H.)	1	
	2201170 s/d by 2207543	Rear seat squab panel	1	
	2207543	Rear seat squab panel	1	} c/w hood tray cover
A59	2212350	Rear seat squab panel	1	
	2201648 s/d by 2207544	Hood tray cover, O/S (R.H.)	1	
	2201649 s/d by 2207545	Hood tray cover, N/S (L.H.)	1	
	2207544	Hood tray cover, O/S (R.H.)	1	} Series I
	2207545	Hood tray cover, N/S (L.H.)	1	
A60	2212298	Hood tray cover, O/S (R.H.)	1	} Series II
A61	2212299	Hood tray cover, N/S (L.H.)	1	
A62	2201800 s/d by 2218376	Reinforcement tube, O/S (R.H.)	1	} Bulkhead to wheelarch
	2201801	Reinforcement tube, N/S (L.H.)	1	

BODY FITTINGS — Series I and II

Plate Ref.	Part Number	DESCRIPTION	No. per Veh.	REMARKS	
		BODY SHELL—continued			
		BODY SHELL SECTION—continued			
	19505061	Bolt, $\frac{5}{8}$ " UNF. $\times \frac{3}{4}$ "	4	} Not supplied	
	19505041	Bolt, $\frac{5}{8}$ " UNF. $\times \frac{1}{2}$ "	4		
	9664203	Washer, $\frac{5}{8}$ " shakeproof	8		
	9067027	Washer, $\frac{5}{8}$ " plain	4		
A63		Bracket, O/S (R.H.)			
		Bracket, N/S (L.H.)			
A64	2201814	Shim—Brace to bulkhead	A/R		
A65		HARDTOP PANEL			See Special Accessories Kit 2207886
		DOOR FITTINGS			
B66	2201008	HINGE, O/S (R.H.)	1		} Up to B9101379 From B9101380
	2201009	HINGE, N/S (L.H.)	1		
B67	2201010	HINGE, O/S (R.H.)	1		
	2201011	HINGE, N/S (L.H.)	1		
	P.43272	Screw, $\frac{5}{8}$ " UNF. $\times \frac{3}{4}$ " rds. hd.—Hinges to body...	32		
B68	H.104349	CHECK LINK	2		
B69	H.95217	Buffer	2		
B70	H.101245	Guide spring	2		
	H.116241	Rivet	2		
	2212324 s/d by H.116241	Rivet	2		
	39303081	Screw, No. 10 UNF. $\times \frac{1}{2}$ "—Check link to "A" post	2		
B71	2201246 s/d by 2233012	DOOR LOCK O/S (R.H.)	1	} See Data 2G/151 and 2G/170	
	2201247 s/d by 2233013	DOOR LOCK, N/S (L.H.)	1		
B72	2201118 s/d by 2221860	Remote control, O/S (R.H.)	1		
	2201119 s/d by 2221861	Remote control, N/S (L.H.)	1		
	39303081	Screw, No. 10 UNF. $\times \frac{1}{2}$ "	8		
	9663122	Washer, $\frac{5}{8}$ " shakeproof	8		
	H.107460 s/d by 5240258	Door striker, O/S (R.H.)	1		
	H.107461 s/d by 5240259	Door striker, N/S (L.H.)	1		
	H.107444 s/d by 5240258	Dovetail, O/S (R.H.)	1		
	H.107445 s/d by 5240259	Dovetail, N/S (L.H.)	1		
	5240258	Door striker and dovetail, O/S (R.H.)	1		
	5240259	Door striker and dovetail, N/S (L.H.)	1		
B73	2206242 s/d by 5240258	Door striker, O/S (R.H.)	1		
	2206243 s/d by 5240259	Door striker, N/S (L.H.)	1		
	2206278 s/d by 2217654	Dovetail, O/S (R.H.)	1		
	2206279 s/d by 5240259	Dovetail, N/S (L.H.)	1		
	2216406 s/d by 2217654	Dovetail, O/S (R.H.)	1		
	2216407 s/d by 5240259	Dovetail, N/S (L.H.)	1		
B74	2217654 s/d by 5240258	Dovetail, O/S (R.H.)	1		
	2217655 s/d by 5240259	Dovetail, N/S (L.H.)	1		
B75	H.107821	Back plate—Striker	2		
	9050101	Screw, $\frac{1}{2}$ " UNF. $\times 1$ "	4		
	9666163	Washer, $\frac{1}{2}$ " shakeproof	4		
	39103082	Screw, No. 10 $\times \frac{1}{2}$ "	4		
	39103162	Screw, No. 10 $\times 1$ "	2		

BODY FITTINGS — Series I and II

Plate Ref.	Part Number	DESCRIPTION	No. per Veh.	REMARKS
B76	2201344	DOOR FITTINGS—continued		
	2201345	OUTSIDE HANDLE, O/S (R.H.)	1	
B77	H.112057	OUTSIDE HANDLE, N/S (L.H.)	1	
B78	H.111745	Cylinder lock } F.P. Series	2	
	H.118996	Key } 625—750	2	
	s/d by 5240414	Cylinder lock } S.R. Series	2	
	H.111749	Key } 301—435 odd	2	
	5240414	Cylinder lock } S.T. Series	2	
	5240415	Key } 801—899 odd	2	
	5240381	Cylinder lock } R.M. & R.L. Series 801—815, 831—845,	2	
	5220397	Key } 861—875, 906—912	2	See Data 2G/297
B79	H.108588	Spring—Knob	2	
B80	2201350	Contact screw	2	
B81	9510031	Nut, No. 10 UNF.	2	
B82	H.107735	Centralising spring	2	
B83	H.109714	Weathershield, O/S (R.H.)	1	
	H.109715	Weathershield, N/S (L.H.)	1	
B84	H.108682	Spring, O/S (R.H.)	1	} Weathershield
	H.108683	Spring, N/S (L.H.)	1	
B85	H.107726	Seating washer—Front	2	
B86	H.107727	Seating washer—Rear	2	
	39303081	Screw, No. 10 UNF. × 1/8"	2	
	9663122	Washer, 3/8" shakeproof	4	} Handle to door
	9510030	Nut, No. 10 UNF.	2	
B87	H.118625	DOOR PULL	2	
	39403142	Screw, No. 6 × 3/4"—Door pull to door	4	
B88	2201734	INSIDE HANDLE	2	
B89	H.109020	Base	2	
B90	H.109923	Crown	2	} Inside handle escutcheon
B91	H.109924	Spring	2	
B92	H.108236	Cross pin	2	} Inside handle to control
B93	H.90305	Rubber pad	2	
	H.107702	Connecting link, O/S (R.H.)	1	} Up to B9000877
	H.107703	Connecting link, N/S (L.H.)	1	
B94	2207754	Connecting link, O/S (R.H.)	1	} From B9000878
	2207755	Connecting link, N/S (L.H.)	1	
	2201880	LIFTING GLASS	2	Series I
B95	2212262	LIFTING GLASS	2	Series II
B96	H.63579	Glazing rubber	A/R	
	2201332	Bottom glass channel, O/S (R.H.)	1	} Series I
	2201333	Bottom glass channel, N/S (L.H.)	1	
	2212344	Bottom glass channel, O/S (R.H.)	1	} Series II up to B9115000
	2212345	Bottom glass channel, N/S (L.H.)	1	
B97	2212534	Bottom glass channel, O/S (R.H.)	1	} From B9115001
	2212535	Bottom glass channel, N/S (L.H.)	1	
	2201393	Glass channel—Front	2	} Up to B9007235
	2201117	Glass channel—Rear	2	
	2211902	Glass channel, O/S (R.H.)	1	} From B9007236 up to Series II
	2211903	Glass channel, N/S (L.H.)	1	
B98	2212412	Glass channel, O/S (R.H.)	1	} From B9007236
	2212413	Glass channel, N/S (L.H.)	1	

BODY FITTINGS — Series I and II

Plate Ref.	Part Number	DESCRIPTION	No. per Veh.	REMARKS
		DOOR FITTINGS—continued		
	2212464 s/d by 2212506	Glass channel, O/S (R.H.)	1	} Series II up to B9105324
	2212465 s/d by 2212507	Glass channel, N/S (L.H.)	1	
	2212506	Glass channel, O/S (R.H.)	1	} From B9105325 up to B9115000
	2212507	Glass channel, N/S (L.H.)	1	
B99	2212532	Glass channel, O/S (R.H.)	1	} From B9115001
	2212533	Glass channel, N/S (L.H.)	1	
B100	2212428	Glass channel—Front, upper	2	Series II
	5240492	Felt—Glass channel	A/R	} Up to B9007235
	9711109	Tapping screw, No. 4 × 1/4"—Glass channel	16	
	39303082	Screw, No. 10 UNF.	2	} From B9007236
	39303084	Screw, No. 10 UNF.	4	
	9663123	Washer, 3/8" shakeproof	8	
	9067095	Washer, 3/8" plain	8	
	9510031	Nut, No. 10 UNF.	2	} Up to Series II
	2201394 s/d by 2212120	Support, O/S (R.H.)	1	
	2201395 s/d by 2212121	Support, N/S (L.H.)	1	
	2207590 s/d by 2212120	Support, O/S (R.H.)	1	
	2207591 s/d by 2212121	Support, N/S (L.H.)	1	
B101	2212120	Support, O/S (R.H.)	1	
	2212121	Support, N/S (L.H.)	1	
B102	2212256	Support, O/S (R.H.)	1	} Series II
	2212257	Support, N/S (L.H.)	1	
		Packing—Support		Not supplied
	39213122	Screw, No. 10 UNF. × 1/4"—Support to door	6	} Up to Series II
	39303060	Screw, No. 10 UNF. × 3/8" P.H.	2	
	39213122	Screw, No. 10 UNF. × 3/8" rsd. hd.	2	} Series II
	39213062	Screw, No. 10 UNF. × 3/8" oval hd.	2	
	9663122	Washer, 3/8" shakeproof	2	
	9067010	Washer, 3/8" plain	2	
	2201836 s/d by 2211928	Insert, O/S (R.H.)	1	} No longer available
	2201837 s/d by 2211929	Insert, N/S (L.H.)	1	
B103	2211928	Insert, O/S (R.H.) support	1	
	2211929	Insert, N/S (L.H.)	1	
B104	2212260	Plastic finisher, O/S (R.H.)	1	} Series II
	2212261	Plastic finisher, N/S (L.H.)	1	
G105	9132933	Tubular clip—Finisher to door	4	
	2201120 s/d by 2212542	Window regulator, O/S (R.H.)	1	
	2201121 s/d by 2212543	Window regulator, N/S (L.H.)	1	
B106	2212542	Window regulator, O/S (R.H.)	1	
	2212543	Window regulator, N/S (L.H.)	1	
	39304061	Screw, 1/4" UNF. × 3/8" } Regulator...	12	} to door
	9664162	Washer, 1/4" shakeproof	12	
	2201129 s/d by 2207838	Seal } Door	4	} Series I
BF107	2207838	Seal } waist	4	
G108	9132501	Clip—Seal	28	
BF109	2207838	Seal, 27 3/8" long—Door waist, inner	2	} Series II
	9132501	Clip—Seal	14	
	2212266 s/d by 2212538	Seal, O/S (R.H.)	1	} Door waist—
	2212267 s/d by 2212539	Seal, N/S (L.H.)	1	
BF110	2212538	Seal, O/S (R.H.)	3	} Series II
	2212539	Seal, N/S (L.H.)	3	
G111	2212159	Clip } Seal	12	} Series II
	2212363 s/d by 2212159	Clip }	2	

BODY FITTINGS — Series I and II

Plate Ref.	Part Number	DESCRIPTION	No. per Veh.	REMARKS
		DOOR FITTINGS—continued		
B112	2201735	HANDLE—Window regulator	2	
B113	H.109020	Base	2	
B114	H.109923	Crown	2	Regulator handle escutcheon
B115	H.109924	Spring	2	
B116	H.108236	Cross pin	2	Handle to regulator
B117	H.90305 s/d by 9122188	Rubber pad	2	
		WINDSCREEN (Windshield)		
	2201262 s/d by 2217064/5	Glass—Toughened	1	
B118	2217064	Glass—R.H.D.	1	Zone toughened
	2217065	Glass—L.H.D.	1	
	2201355	Glass—Laminated	1	
	2201507 s/d by 2212563	Glazing rubber	1	Glass to frame
	2212123 s/d by 2212563	Glazing rubber	1	
BF119	2212563	Glazing rubber	1	
	2201316 s/d by 2212332	Side pillar, O/S (R.H.)	1	Series I
	2201317 s/d by 2212333	Side pillar, N/S (L.H.)	1	
B120	2212332	Side pillar, O/S (R.H.)	1	Series II up to B9209883
B121	2212333	Side pillar, N/S (L.H.)	1	
	2212060	Side pillar, O/S (R.H.)	1	Windscreen (Windshield)
B122	2212061	Side pillar, N/S (L.H.)	1	
	2217010	Side pillar, O/S (R.H.)	1	From B9109884
B123	2217011	Side pillar, N/S (L.H.)	1	
B124	2201318	Top channel	1	Up to B9109883
B125	2201319	Bottom channel	1	
B126	2217033	Bottom channel	1	From B9109884
	39011062	Screw, 4 BA. × 3/8"	8	
	2201263 s/d by 2207780	Weatherstrip	1	Windscreen (Windshield)
	2201874 s/d by 2207780	Weatherstrip	1	
	2212064 s/d by 2207780	Weatherstrip	1	to scuttle
BF127	2207780	Weatherstrip	1	
BF128	2212560	Weatherstrip	1	Series I & II to B9109883 From B9109884
	2201798 s/d by 2211912	Weatherstrip	2	
	2207627 s/d by 2211913	Weatherstrip	2	Up to Series II (See Data 2G/166)
BF129	2211912	Weatherstrip, O/S (R.H.)	2	
	2211913	Weatherstrip, N/S (L.H.)	2	
B130	2212426	Weatherstrip, O/S (R.H.)	2	Series II
	2212427	Weatherstrip, N/S (L.H.)	2	
	2201590 s/d by 2211914	Retainer, O/S (R.H.)	1	Weatherstrip—Windscreen (Windshield) pillar
	2201591 s/d by 2211914	Retainer, N/S (L.H.)	1	
B131	2211914	Retainer	2	Up to Series II
B132	2212066	Retainer, O/S (R.H.)	1	
	2212067	Retainer, N/S (L.H.)	1	Series II
	49016005	Screw, 6 BA. × 5/16"—Retainer to screen pillar	6	
	2201595 s/d by 2201872	Seal	2	Up to B9000125
BF133	2201872	Seal	2	
	2207604 s/d by 2211904	Seal, O/S (R.H.)	1	Windscreen (Windshield) pillar—Lower
	2207605 s/d by 2211905	Seal, N/S (L.H.)	1	
	2211904	Seal, O/S (R.H.)	1	From B9000126 up to Series II
BF134	2211905	Seal, N/S (L.H.)	1	

BODY FITTINGS — Series I and II

Plate Ref.	Part Number	DESCRIPTION	No. per Veh.	REMARKS
		WINDSCREEN (Windshield)—continued		
	2207560	Drip moulding, O/S (R.H.)	1	} Up to B9000051
	2207561	Drip moulding, N/S (L.H.)	1	
	2207592 s/d by 2211906	Drip moulding, O/S (R.H.)	1	} From B9000052 up to B9010970
	2207593 s/d by 2211907	Drip moulding, N/S (L.H.)	1	
	2211906 s/d by 2212348	*Drip moulding, O/S (R.H.)	1	
	2211907	*Drip moulding, N/S (L.H.)	1	
		*Note. When using drip mouldings 2211906/7 as replacements from chassis B9000052 up to chassis B9000125, screen pillar lower seal 2211904/5 must also be fitted.		
B135	2212348	Drip moulding, O/S (R.H.)	1	} From B9010971
	2212349	Drip moulding, N/S (L.H.)	1	
	9067019	Washer, 1/4" plain	3	
	9661161	Washer, 1/4" spring	3	
	9510040	Nut, 1/4" UNF.	3	
	9067029	Washer, 5/16" plain } Screen to scuttle	2	
	9661201	Washer, 5/16" spring	4	
	5220701	Nut, 5/16" UNF.	4	
	2207731	Washer, special	2	
	2201301 s/d by 2207661	REAR VISION MIRROR	1	
B136	2207661	REAR VISION MIRROR	1	
	39213082	Screw, No. 10 UNF. x 1/2"—Mirror to scuttle	2	
	H.117201 s/d by 2117201	LICENCE HOLDER	1	
		FACIA		
	2201236 s/d by 2212308	INSTRUMENT PANEL } See Data	1	} See Data 2G/247
	2207818 s/d by 2212308	INSTRUMENT PANEL } 2G175	1	
C137	2212308 s/d by 2217178	INSTRUMENT PANEL } See Data	1	
C138	2217178 s/d by 2212552	INSTRUMENT PANEL } 2G/335	1	
	2201237 s/d by 2212309	INSTRUMENT PANEL } See Data	1	
	2207819 s/d by 2212309	INSTRUMENT PANEL } 2G175	1	
	2212309 s/d by 2217153	INSTRUMENT PANEL	1	
	2217153	INSTRUMENT PANEL	1	
	39234201	Screw, 1/4" UNF. x 1"	3	
	9664162	Washer, 1/4" shakeproof	4	
	9067015	Washer, 1/4" plain	1	
	9122028	Rubber washer	7	
	9510040	Nut, 1/4" UNF.	5	
C139	1201645	Finisher—Instrument panel	1	} Up to B9118765 From B9118766
	9067008	Washer, 5/16" plain	2	
	9663123	Washer, 5/16" shakeproof } Finisher to instrument panel	2	
	5220700	Nut, No. 10 UNF.	2	
	1206129	Adaptor washer—Choke control	1	
C140	2207815	Plastic insert—Blanking heater slot	1	
C141	1201327 s/d by 2232380	Motif—Clock aperture	1	
C142	2201432	Motif—Ammeter aperture	1	
C143	1201524	Escutcheon—Panel light	1	} Series I Series II
C144	1206118	Escutcheon—Panel and map light	1	
C145	1201525	Escutcheon—Lighting switch	1	
C146	1201526	Escutcheon—Wiper switch	1	
C147	2217127	Escutcheon—Vent control (without heater)	1	} From B9118780 R.H.D. and B9118766 L.H.D.
	49252063	Screw—Escutcheon to facia	3	

BODY FITTINGS — Series I and II

Plate Ref.	Part Number	DESCRIPTION	No. per Veh.	REMARKS
		FACIA—continued		
C148	2212311	Blanking plug—Spotlight switch	1	
C149	2212312	Blanking plug—Cigar lighter	1	
C150	2212313	Blanking plug—Screen washer control	1	
C151		CRASH PAD		See Trim Section
C152	2207876	Finisher, O/S (R.H.) } Crash	1	} From B9009001
C153	2207877	Finisher, N/S (L.H.) } pad	1	
C154	2201452	End finisher, O/S (R.H.)	1	} Up to B9000264
	2201453	End finisher, N/S (L.H.)	1	
C155	2207556	End finisher, O/S (R.H.) } Crash	1	} From B9000265
	2207557	End finisher, N/S (L.H.) } pad	1	
C156	2207786	End finisher, O/S (R.H.)	1	} (Check illustration)
	2207787	End finisher, N/S (L.H.)	1	
	9711085	Screw, No. 4 × 1/2"—Finisher to scuttle panel	4	
	2201378	Lower support rail—R.H.D.	1	} Superseded by 2207682/3
	2201379	Lower support rail—L.H.D.	1	
	2207682	Lower support rail—R.H.D.	1	} Up to B9115000
	2207683	Lower support rail—L.H.D.	1	
C157	2212414	Lower support rail—R.H.D.	1	} From B9115001
	2212415	Lower support rail—L.H.D.	1	
C158	2201402	Crash pad rail—R.H.D.	1	} Up to B9115000
	2201403	Crash pad rail—L.H.D.	1	
	9067017	Washer, 1/4" plain } Support rail to	2	
	9510040	Nut, 1/4" UNF. ... } cubby box and facia	2	
	19504061	Screw, 1/4" UNF. × 1/2" } Support rail	2	
	9067017	Washer, 1/4" plain } to attachment	2	
	9664162	Washer, 1/4" shakeproof } bracket	2	
	19504051	Screw, 1/4" UNF. × 1/2" } ...	4	
	9067017	Washer, 1/4" plain } Lower rail fixing bracket	4	
	9664162	Washer, 1/4" shakeproof } ...	4	
	9067015	Washer, 1/4" plain—Facia to support bracket	1	
	2201398	CUBBY BOX—R.H.D.	1	} Superseded by 2207868/9
	2201399	CUBBY BOX—L.H.D.	1	
C159	2207868	CUBBY BOX—R.H.D.	1	
	2207869	CUBBY BOX—L.H.D.	1	
C160	2201400	Surround—R.H.D.	1	
	2201401	Surround—L.H.D.	1	
G161	P.43759	Clip—Cubby box and surround to body	2	
G162	9206524	Spire fix—Cubby box to body	3	
		FRONT SEAT FITTINGS		
	2207562	SEAT FRAME, O/S (R.H.) } R.H.D.	1	} Up to B9000007
	2201525	SEAT FRAME, N/S (L.H.) } ...	1	
	2201524	SEAT FRAME, O/S (R.H.) } L.H.D.	1	
	2207563	SEAT FRAME, N/S (L.H.) } ...	1	
	2207568	SEAT FRAME, O/S (R.H.)	1	} From B9000008
	2207569	SEAT FRAME, N/S (L.H.)	1	
B163	2207842	SEAT FRAME, O/S (R.H.)	1	} up to B9007690
B164	2207843	SEAT FRAME, N/S (L.H.)	1	
	2201894	Seat slide, R.H.D. } Locking } Driver	1	} From B9007691
	2201895	Seat slide, L.H.D. } ...	1	
	2201897	Seat slide—Plain } ...	1	} Superseded by 2207774/5
	2201209	Seat slide, R.H.D. } Locking } Passenger	1	
	2201208	Seat slide, L.H.D. } ...	1	
	2201206	Seat slide—Plain } ...	1	

BODY FITTINGS — Series I and II

Plate Ref.	Part Number	DESCRIPTION	No. per Veh.	REMARKS
		FRONT SEAT FITTINGS—continued		
B165	2207774	Seat slide mechanism, O/S (R.H.) seat	1	
B166	2207775	Seat slide mechanism, N/S (L.H.) seat	1	
	19106131	Bolt, $\frac{3}{8}$ " UNF. \times $1\frac{1}{8}$ "	4	} Slide to seat frame
	9551063	Nut, $\frac{3}{8}$ " UNF. nyloc	4	
	39404123	Screw, $\frac{1}{4}$ " UNF. \times $\frac{1}{4}$ "	6	} Slide to floor (front) and (rear)
	9661161	Washer, $\frac{1}{4}$ " spring	6	
	39405140	Screw, $\frac{5}{16}$ " UNF. \times $\frac{7}{8}$ "	2	} Slide to support (rear)
	9661201	Washer, $\frac{5}{16}$ " spring	2	
		REAR SEAT AND BATTERY FITTINGS		
		Rear seat back panel—See Body Shell Section		
	2201552	Hinge, O/S (R.H.)	2	} Superseded by 2207536/7
	2201553	Hinge, N/S (L.H.)	2	
	2207536	Hinge, O/S (R.H.)	2	
	2207537	Hinge, N/S (L.H.)	2	
D167	39303040	Screw, No. 10 UNF. \times $\frac{1}{4}$ "	4	} Hinge to back panel
	9067012	Washer, $\frac{1}{8}$ " plain	4	
	39103080	Screw, No. 10 UNF. \times $\frac{1}{2}$ "	4	Panel to body
	2201559	Buffer—Back panel	2	} Not supplied
	39201082	Screw, No. 6 ANF. \times $\frac{1}{2}$ "	2	
	9670413	Washer, No. 6 cup	2	
	9663082	Washer, $\frac{1}{4}$ " shakeproof	2	
	9562011	Nut, No. 6 ANF. domed	2	
D168	2212302	Slam lock—Seat back panel	2	
	9550031	Nut, No. 10 UNC.—Link	4	
	39303071	Screw, No. 10 UNF. \times $\frac{7}{16}$ "	8	
	9067094	Washer, $\frac{3}{16}$ " plain	8	
	9663123	Washer, $\frac{3}{16}$ " shakeproof	8	
D169	2212296	Striker bracket, O/S (R.H.)	1	} Series II
D170	2212297	Striker bracket, N/S (L.H.)	1	
D171	2212307	"U" bolt	2	
	9067008	Washer, $\frac{3}{16}$ " plain	4	
	9663122	Washer, $\frac{3}{16}$ " shakeproof	4	} Striker to body
	9510036	Nut, No. 10 UNF.	4	
D172	2212304	Control cable	1	} See Body Shell Section
	9550031	Nut, No. 10 UNC.—Control cable	2	
		BATTERY BOX		
		COVER—BOX		
D173	39303060	Screw, No. 10 UNF. \times $\frac{3}{8}$ " P.H.	4	} Not supplied Up to B9000688 From B9000689 up to B9107103 From B9000689 From B9007784
	2201587	Fastener	2	
D174	2201589	Buffer	2	
	9119003	Buffer	2	
	2211966	Buffer—End bracket (38 A/H)—Cover	2	
D175	1201658	Battery cradle	1	} 38 A/H battery
D176	1201657	Rubber pad—Cradle to box	2	
D177	1201633	Adaptor—Cradle	1	

BODY FITTINGS — Series I and II

Plate Ref.	Part Number	DESCRIPTION	No. per Veh.	REMARKS
		FOLDING HEAD FITTINGS		
	2513157	HOOD COVERING COMPLETE		See Trim Section
	2201484	HOOD FRAME	1	} Superseded by 2212214
	2207559	HOOD FRAME	1	
	2207629	HOOD FRAME	1	
	2212214	HOOD FRAME	1	
D178	2212421	HOOD FRAME	1	Series I
G179	9127514	Peg, 2 BA × ¼" —Hood to frame	2	} Series II
	9034050	Nut, 2 BA—Peg to frame	2	
G180	9127505	Button—Hood to frame	2	} Up to B9104410
	2201492	Pivot bracket, O/S (R.H.)	1	
	2201493	Pivot bracket, N/S (L.H.)	1	
D181	2212448	Pivot bracket, O/S (R.H.)	1	
D182	2212449	Pivot bracket, N/S (L.H.)	1	
	39303081	Screw, No. 10 UNF. × ¼" P.H. } Pivot bracket	2	} to
	39303051	Screw, No. 10 UNF. × ⅜" P.H. } door pillar	6	
	9067095	Washer, ⅜" plain	8	
D183	2201563	Pivot pin	2	
	9067017	Washer, ¼" plain } Hood frame	2	} to
	9206532	Spirenut ... } pivot bracket	2	
	2201481	Header rail	1	} Superseded by 2207630
D184	2207630	Header rail	1	
G185	9128510	Stud—Header rail	2	} Series II
G186	9129013	Turnbutton—Cantrail to header	2	
	39001042	Screw, 4 BA. × ¼" —Turnbutton	4	
D187	2212374	Cantrail, O/S (R.H.)	1	
	2212375	Cantrail, N/S (L.H.)	1	
D188	2212404	Bracket—Upper	2	} Lower } Cantrail
D189	2212402	Bracket, O/S (R.H.)	1	
	2212403	Bracket, N/S (L.H.)	1	
D190	2212443	Spring clip	4	
	39302041	Screw, No. 8 × ¼"	16	} Spring clip and bracket
	9067004	Washer, ⅜" plain	16	
	9663113	Washer, ⅜" shakeproof	16	
G191	2212380	Carrier—Stud, hood fixing	8	} Series II
D192	2212474	Cantrail, O/S (R.H.)	1	
D193	2212475	Cantrail, N/S (L.H.)	1	} From B9107517
D194	2212470	Bracket	4	
D195	2212472	Spring clip } Cantrail	4	
	9034050	Acorn nut	8	
	39023061	Screw, 2 BA × ⅜" Bdg. hd. } Spring clip ...	4	} and bracket
	39003061	Screw, 2 BA × ⅜" csk. hd.	4	
	9067094	Washer, ⅜" O.D. plain	4	
	9067088	Washer, ⅜" O.D. plain	4	
	9663123	Washer, 2 BA. shakeproof	8	
G196	9128523	Stud—Carrier	8	} Series II
D197	2212379	Rubber buffer—Cantrail end	2	
	2201834	Weatherstrip	1	} Superseded by 2207539
	2207539	Weatherstrip } Header to screen	1	
DF198	2212500	Weatherstrip	1	Up to B9107085
	2201594	Retainer	1	} From B9107086
	2207585	Retainer } Weatherstrip	1	
	2207824	Retainer	1	
D199	2212138	Retainer	1	

BODY FITTINGS — Series I and II

Plate Ref.	Part Number	DESCRIPTION	No. per Veh.	REMARKS
		FOLDING HEAD FITTINGS—continued		
	9711066	Screw, No. 4 × 3/8" csk.—Retainer	9	
	2201642	Toggle catch	2	Superseded by 2207542
	2207542	Toggle catch } Header rail	2	
D200	2212498	Toggle catch	2	Up to B9107085
	2201875	Shim—Toggle catch	2	From B9107086
	39303081	Screw, No. 10 UNF. × 1/2"—Toggle catch	4	
		Side cover, O/S (R.H.)		} See Body Shell Section
		Side cover, N/S (L.H.)		
		HARDTOP FITTINGS		
		HARDTOP PANEL—See Body Shell Section		
	2201405	Sealing rubber, 86" long } Hardtop	1	Up to B9003382
EF201	2207840	Sealing rubber, 86" long } to body	1	From B9003383
E202	2201464	Rear attachment, O/S (R.H.) } Hardtop to	1	
E203	2201465	Rear attachment, N/S (L.H.) } body rear	1	
	39214082	Screw, 1/4" UNF. × 1/2"—Rear attachment to hardtop	4	
	2201517	Locating plunger } Hardtop	2	Up to B9005389
E204	2211922	Locating plunger }	2	From B9005390
	2201468	Washer	2	Superseded by 2211919
	2201467	Spring	2	Superseded by 2211918
E205	2211919	Washer } Locating plunger	2	
E206	2211918	Spring }	2	
E207	2201469	Circlip }	2	
	2201470	Attachment bracket } Hardtop to	2	Superseded by 2207522
E208	2207522	Attachment bracket } body—Side	2	
E209	2201471	Locking bolt } Attachment bracket	2	
E210	2201570	Grommet } to pivot bracket	2	
E211		Pivot bracket		See Folding Head Fittings
	39213102	Screw, No. 10 UNF. × 3/8"—Attachment bracket to body	4	
	2201474	Weatherstrip, 42" long } Header	1	Superseded by 2207539
EF212	2207539	Weatherstrip, 42" long } rail	1	
E213	2201593	Retainer—Header rail	1	
	2201503	Weatherstrip, 33" long }	2	} Superseded by 5240255
	2207577	Weatherstrip, 33" long } Cantrail	2	
F214	5240255	Weatherstrip, 33" long }	A/R	Up to B9008936
EF215	2207814	Weatherstrip, 33" long }	A/R	From B9008937
F216		Furflex piping—Black }		See Trim Section
	2207578	Retainer } Weatherstrip } Cantrail	2	Up to B9008936
E217	2212108	Retainer }	2	From B9008937
	9711066	Screw, No. 4 × 3/8"—Retainer to hardtop panel	9	
	2207648	Weatherstrip, O/S (R.H.) } Hardtop	1	
E218	2207649	Weatherstrip, N/S (L.H.) } to door	1	
	9721082	Tapping screw, No. 4 × 3/8" } Weatherstrip	2	
	9670413	Cup washer, No. 4 }	2	
E219		Toggle catch—Hardtop to header		See Folding Head Fittings
	2201389	BACKLIGHT	1	Superseded by 2207549
E220	2207549	BACKLIGHT	1	
	2201427	Weatherstrip } Lower }	1	} Superseded by 2212460
EF221	2212460	Weatherstrip } Backlight to hardtop panel	1	
EF222	2201418	Weatherstrip—Upper }	1	
F223	2201502	Filler strip—Weatherstrip	2	
E224	2201444	Moulding—Lower } Backlight	1	
E225	2201443	Moulding—Upper }	1	

BODY FITTINGS — Series I and II

Plate Ref.	Part Number	DESCRIPTION	No. per Veh.	REMARKS
		HARDTOP FITTINGS—continued		
E226	2201463	Cover plate—Backlight moulding	2	
	2201472	Moulding, O/S (R.H.)	1	
E227	2201473	Moulding, N/S (L.H.) } Cantrail	1	
E228	2201478	Moulding, O/S (R.H.) } Rear quarter	1	
E229	2201479	Moulding, N/S (L.H.) } and tonneau	1	
E230	2201480	Moulding—Centre	1	
	9731046	Screw, No. 4 × ¼" —Waist finisher	7	
	2201534	Corner finisher, O/S (R.H.)	1	
E231	2201535	Corner finisher, N/S (L.H.)	1	
	9731046	Screw, No. 4 × ¼" —Corner finisher	4	
	2201544	Listing rail—Front	1	
	2201545	Listing rail—Centre } Headlining	1	
	2201546	Listing rail—Rear }	1	
	3001060	Screw, No. 4 BA. × ¾" —Listing rail	6	
		Headlining complete		See Soft Trim
G232	9130023	Clip—Headlining	18	
		REAR TRUNK		
		TRUNK LID PANEL—See Body Shell Section		
	2201162	HINGE, O/S (R.H.)	1	} Superseded by 2207640/1
	2201163	HINGE, N/S (L.H.)	1	
		Trunk lid		
E233	2207640	HINGE, O/S (R.H.)	1	} See Data 2G/153 Not supplied
E234	2207641	HINGE, N/S (L.H.)	1	
		Gasket		
	9067017	Washer, ½" plain	6	
	9660161	Washer, ½" spring	6	
	9510040	Nut, ½" UNF.	4	
	39304081	Screw, ½" UNF. × ½" P.H.	2	
	2203571	Screw, ½" UNF. × ½" Special	2	Up to B9104131 From B9104132
E235	2201251	FINGER PULL—Trunk Lid	1	
	39803060	Screw, No. 10 UNC. × ¾" } Finger pull	2	
	9661121	Washer, ⅜" spring ... } to lid	2	
		LOCK ASSEMBLY—Trunk Lid		
	5037446	Lock mechanism	1	Not supplied Up to B9101626 From B9101627
E236	5240317	Lock mechanism	1	
E237	5037441	Push button assembly (lesshousing)	1	
E238	5037442	Locking barrel	1	
E239	H.111746	Key—Rectangular head } FP Series	2	
E240	5037443	Push button	1	
E241	5037444	Spring } Push	1	
E242	5037445	Housing } button	1	
	69609163	Rivet, No. 9 × ¼" O.H.—Housing to bracket	2	
	39303081	Screw, No. 10 UNF. × ½" } Lock to	4	
	9663122	Washer, ⅜" shakeproof } support bracket	4	
E243	2201243	Support bracket	1	
	39404060	Screw, ½" UNC. × ⅜" } Bracket	2	
	9661161	Washer, ½" spring } to floor	2	
E244	2201169	Striker plate—Lock	1	
	19504041	Screw, ½" UNF. × ½" } Striker plate	4	
	9067016	Washer, ½" plain } to	4	
	9660161	Washer, ½" spring } trunk lid	4	
E245	2201352	Seal—Lock to lower panel	1	

BODY FITTINGS — Series I and II

Plate Ref.	Part Number	DESCRIPTION	No. per Veh.	REMARKS
		REAR TRUNK—continued		
E246	2201030	SUPPORT, O/S (R.H.)	1	} Superseded by 2207688/9
	2201031	SUPPORT, N/S (L.H.)	1	
	2207688	SUPPORT, O/S (R.H.)	1	
	2207689	SUPPORT, N/S (L.H.)	1	
	9067015	Washer, 1/2" plain	2	
	9664162	Washer, 1/2" shakeproof	2	
	9510040	Nut, 1/2" UNF. ...	2	
	1950402	Bolt, 1/2" UNF. x 1/2" ...	4	
	9664162	Washer, 1/2" shakeproof	4	
	E247	H.105444	Spring—Support	
E248	2201600	"S"	1	
E249	2201601	"U"	1	
E250	2201602	"N"	1	
E251	2201603	"B" } Name letters—Trunk lid	1	
E252	2201604	"E"	1	
E253	2201605	"A"	1	
E254	2201606	"M"	1	
	2201833	Washer } Name letters	14	
	2201832	Washer } to	14	
G255	9206502	Spirenut } trunk lid	14	
E256	2201845	Strap c/w fixing clip	1	} Superseded by 2207873
	2201115	Strap c/w staple and buckles	1	
E257	2207873	Strap	1	} See Data Sheet 2G/222/250
E258	2207874	Staple	1	
	39103080	Screw, No. 10 UNF. x 1/2"	2	
		SOFT TRIM		
		Note. Soft Trim comprises Vynide, Carpet, etc.		
		VYNIDE—VT1173 (50" wide)		
		Cordova Grain 340		
	5106366	Black } Without	A/R	
	5106377	Lake Blue } overprint	A/R	
		Grain 434		
	5101176	Scarlet—With overprint	A/R	
	5109472	Scarlet—Without overprint	A/R	
		Seat main panels		
		VYNIDE—VT1146 (50" wide)		
		Cordova Grain 340		
	5106394	Black } Without	A/R	
	5106702	Lake Blue } overprint	A/R	
		Grain 434		
	5101227	Scarlet—With overprint	A/R	
	5109479	Scarlet—Without overprint	A/R	
		Seat borders and backs, wheelarch, door and quarter trim pads, piping, "A" post trim pad, glove box panel, rear seat back panel.		
		VYNIDE—VT1146 (50" wide)		
	5101203	Blue Grey	A/R	
	5101206	Seacrest Green	A/R	
		Piping		

BODY FITTINGS — Series I and II

Plate Ref.	Part Number	DESCRIPTION	No. per Veh.	REMARKS
		SOFT TRIM—continued		
		VYNIDE—VT1244 (1½" wide)		
	5108466	Moonstone	A/R	
	5108465	Scarlet	A/R	
	5108464	Black	A/R	
		Piping		
		VYNIDE—VT1266		
	5101337	Black	A/R	
		Lower support rail crash roll.		
		LEATHERCLOTH—X17		
		Grain 434		
	5109485	Scarlet	A/R	
	5106410	Black	A/R	
		Carpet binding.		
		VYWELD (36" wide)		
		Cordova Grain 340		
	5107739	Black	A/R	
	5107742	Lake Blue	A/R	
		Grain 434		
	5107740	Scarlet—With overprint	A/R	
	5109492	Scarlet—Without overprint	A/R	
		Seat pan.		
		VYNIDE—VT1296 (50" wide)		
	5108507	Light Grey	A/R	
		Headlining		
	2513132	HEADLINING COMPLETE	1	
	5101421	Hood topping—Black	A/R	
	2513157	Hood covering complete	1	} Superseded by 2212216 Series I Superseded by 2212467 Series II
	2513315	Hood covering complete	1	
	2207795	Hood covering complete	1	
	2212216	Hood covering complete	1	
	2212355	Hood covering complete	1	
	2212467	Hood covering complete	1	
		CARPET—Firth rubber backed (40" wide)		
	5101053	Black	A/R	
	5110485	Scarlet	A/R	
	5110478	Blue	A/R	
		Floor, heelboard, wheelarch and rear seat slide.		
		FURFLEX PIPING		
	5109352	Red	1	
259	5109353	Black	1	
	5109354	Lake Blue	1	
		"A" post (26½" long).		

BODY FITTINGS — Series I and II

Plate Ref.	Part Number	DESCRIPTION	No. per Veh.	REMARKS
		SOFT TRIM—continued		
		FURFLEX PIPING—continued		
3260	5108355	Red	1	
	5108356	Black... ..	1	
	5108357	Lake Blue Door aperture (54" long).	1	
3261	2201818	Black... .. Hardtop header rail (42" long).	1	
	9233573	Black Cantrail.	1	
	2201273	CRASH PAD—Facia	1	
		MOULDED GEARBOX CARPET		
3262	2201799	Scarlet } R.H.D.	1	Superseded by 5109692/3
	2201811	Black	1	
	2207695	Scarlet } L.H.D.	1	Superseded by 5109693
	2207696	Black	1	
	5109692	Scarlet	1	
	5109693	Black	1	
	5109694	Lake Blue	1	
		MISCELLANEOUS TRIM		
		Hood		
		Hood covering complete		See Soft Trim
3263	5240234	Zip fastener—Hood	2	
	9127505	Button—Fastener	2	
3264	9128518	Button } Hood to cantrail	10	
3265	9128509	Socket } and waist valance	10	
		Rivet		Not supplied
3266	9670423	Cup washer, No. 4 } Hood to header rail	2	Series II
	9067091	Washer, 5/8" plain	2	
	2201572	Retainer (plastic)—Hood to body	1	
	2201566	Retainer, O/S (R.H.) } Zip fastener—	1	Up to B9006449
	2201567	Retainer, N/S (L.H.) } side	1	
	2212202	Retainer, O/S (R.H.) }	1	From B9006450 up to Series II
	2212203	Retainer, N/S (L.H.) }	1	
		Side		
3267	2211954	Retainer, O/S (R.H.)	1	Series II
3268	2211955	Retainer, N/S (L.H.)	1	
3269	2201565	Retainer }	1	Superseded by 2212144
	2207833	Retainer } Centre	1	
	2212144	Retainer	1	Series I
	2211953	Retainer	1	Series II
	9732085	Tapping screw, No. 6 x 1/2"—Retainer to body	26	
3270	2201638	Sealing rubber—Hood cover, 17"—Centre 44"	A/R	
		Door		
		Trim pads		Not supplied
3271	9131156	Clip ... } Trim pad	24	
3272	P.43996	Friction bush } to door	10	

BODY FITTINGS — Series I and II

Plate Ref.	Part Number	DESCRIPTION	No. per Veh.	REMARKS
		MISCELLANEOUS TRIM—continued		
		DOOR—continued		
		Plastic finisher, O/S (R.H.) } Black—	1	} Series II } See Door Fittings
		Plastic finisher, N/S (L.H.) } Trim pad	1	
		Clip—Finisher to door	4	
	2201454	Door seal, O/S (R.H.)	1	} Superseded by 2212225
	2201455	Door seal, N/S (L.H.)	1	
	2207884	Door seal } “A” post—	2	
BF273	2212225	Door seal } Upper	2	
BF274	2201130	Door seal, 64" long	2	
		Rear Quarter		
		Rear quarter trim pad		Not supplied
G275	9131156	Clip—Trim pad to body	12	
G276	2201597	Clip, retainer—Trim pad	4	
	2201616	Finisher, O/S (R.H.)	1	} Series I
D277	2201617	Finisher, N/S (L.H.) } Side cover	1	
D278	2201849	Rubbing plate	2	
G279	9206502	Spirenut—Rubbing plate	4	
DF280	2201638	Flange finisher—Side cover	A/R	
D281	2201657	Catch	2	
	39303051	Screw, No. 10 UNF. × $\frac{3}{8}$ "	8	
D282	2201732	Shim } to body	4	
D283	2207502	Pivot, O/S (R.H.)	1	
D284	2207503	Pivot, N/S (L.H.)	1	
	2207501	Sleeve nut } Side cover	2	
	9067010	Washer, $\frac{3}{8}$ " plain	2	
	9551034	Nut, No. 10 ANF.	2	
		Scuttle		
	2201806	Trim pad, O/S (R.H.)	1	} Superseded by 5109946/50
	2201807	Trim pad, N/S (L.H.)	1	
	5109946	Trim pad, O/S (R.H.) } Scarlet	1	
	5109950	Trim pad, N/S (L.H.)	1	
	2201816	Trim pad, O/S (R.H.)	1	} Superseded by 5109947/51
	2201817	Trim pad, N/S (L.H.) } Black	1	
	5109947	Trim pad, O/S (R.H.)	1	
	5109951	Trim pad, N/S (L.H.)	1	
	2212436	Trim pad, O/S (R.H.)	1	} Superseded by 5109948/52
	2212437	Trim pad, N/S (L.H.)	1	
		} Lake Blue		
	5109948	Trim pad, O/S (R.H.)	1	} Series II
	5109952	Trim pad, N/S (L.H.)	1	
	5108379	Plastic finisher—Scarlet	2	} Series II
	5108380	Plastic finisher—Black	2	
	5108381	Plastic finisher—Lake Blue	2	
	9721085	Tapping screw, No. 4 × $\frac{1}{2}$ "	12	
	9670413	Cup washer, No. 4 } to scuttle	12	
	2212549	Weatherstrip—Bulkhead sealing angle to scuttle	1	

BODY FITTINGS — Series I and II

Plate Ref.	Part Number	DESCRIPTION	No. per Veh.	REMARKS
		MISCELLANEOUS TRIM—continued		
		Floor		
		Moulded gearbox carpet		See Soft Trim
G285	9128552	Ring (Long prong)	4	
G286	9128521	Spring ring	4	
	2203939	Grommet—Gearbox cover carpet	1	
G287	9128510	Stud—Fastener	4	
	9712085	Tapping screw, No. 6 × ½" —Stud to floor	4	
	2211427	Filler plug—Gearbox carpet	1	From B9011067
	2201838	Mat, O/S (R.H.) }	1	} Up to B9109171
	2201839	Mat, N/S (L.H.) }	1	
		c/w Fasteners		
B288	2217070	Mat, O/S (R.H.) }	1	} From B9109172
B289	2217071	Mat, N/S (L.H.) }	1	
G290	9128510	Stud—Fastener	4	
	9712085	Tapping screw, No. 6 × ½" —Stud to floor	4	
	2201750	Finisher, O/S (R.H.) } Sill	1	
B291	2201751	Finisher, N/S (L.H.) } gusset	1	
	9713085	Screw, No. 8 × ½" —Finisher to gusset	6	
		Centre armrest and glovebox		Not supplied
	2201086	Hinge } Glovebox	2	Series I
	2207656	Hinge } Glovebox	1	Series II
	9731068	Tapping screw, No. 4 × ¾" }	6	Series I
	39303082	Tapping screw, No. 10 × ½" } Lid to box	2	} Series II
	9067094	Washer, ¾" plain	2	
	9732084	Tapping screw, No. 6 × ½" —Box to floor	6	
	2201203	Lock } Glovebox	1	Series I
B292	2207882	Lock } Glovebox	1	Series II
B293	H.111746	Key	2	
B294	2201240	Ashtray—Front floor	1	
	9732084	Tapping screw, No. 6 × ½" —Ashtray to floor	4	
		Rear Trunk		
	2201364	Trim pad, O/S (R.H.) }	1	} Superseded by 2211924/5
	2201365	Trim pad, N/S (L.H.) }	1	
E295	2211924	Trim pad, O/S (R.H.) } Upper	1	
	2211925	Trim pad, N/S (L.H.) }	1	
	2201166	Trim pad, O/S (R.H.) } Lower	1	} Superseded by 2211926/7
	2201167	Trim pad, N/S (L.H.) }	1	
E296	2211926	Trim pad, O/S (R.H.) }	1	
	2211927	Trim pad, N/S (L.H.) }	1	
	9721085	Tapping screw, No. 4 × ½" } Trim pad to	26	
	9670413	Cup washer, No. 4 } trunk side	26	
	2201161	Seal } Trunk	1	Up to B9111188
EF297	2217040	Seal } lid	1	From B9111189

BODY FITTINGS — Series I and II

Plate Ref.	Part Number	DESCRIPTION	No. per Veh.	REMARKS
PAINT				
<p>Note. The numbers in brackets shown against Paint Name represents Colour Code stamped on Chassis Identification Plate.</p>				
(1 Pint Tins)				
	5107910	Glen Green (40) P030/3324	A/R	} Series I
	5100772	Thistle Grey (11) P030/2837	A/R	
	5100590	Embassy Black (1) P030/122	A/R	} Series I and II
	5101424	Moonstone (19) P030/3917	A/R	
	5107731	Carnival Red (39) P030/8385	A/R	
	5109897	Lake Blue (52) P030/3434	A/R	} Series II
	5109899	Wedgwood Blue (53) P030/3435	A/R	
	5101040	Seacrest Green (30) P030/3033	A/R	} Interior only
	5108970	Metallic Grey (9) P031/2580	A/R	
(4 Pint Tins)				
	5107911	Glen Green (40) P030/3324	A/R	} Series I
	5100773	Thistle Grey (11) P030/2837	A/R	
	5100591	Embassy Black (1) P030/132	A/R	} Series I and II
	5101425	Moonstone (19) P030/3917	A/R	
	5107732	Carnival Red (39) P030/8385	A/R	
	5109898	Lake Blue (52) P030/3434	A/R	} Series II
	5109900	Wedgwood Blue (53) P000/3435	A/R	
	5101041	Seacrest Green (30) P030/3033	A/R	} Interior only
	5108971	Metallic Grey (9) P030/2580	A/R	

BODY FITTINGS — Series I and II

Plate Ref.	Part Number	DESCRIPTION	No. per Veh.	REMARKS

Publication No. 6600992

SECTION YW

BODY FITTINGS HARRINGTON "LE MANS" (Series II only)

BODY FITTINGS — HARRINGTON "LE MANS"

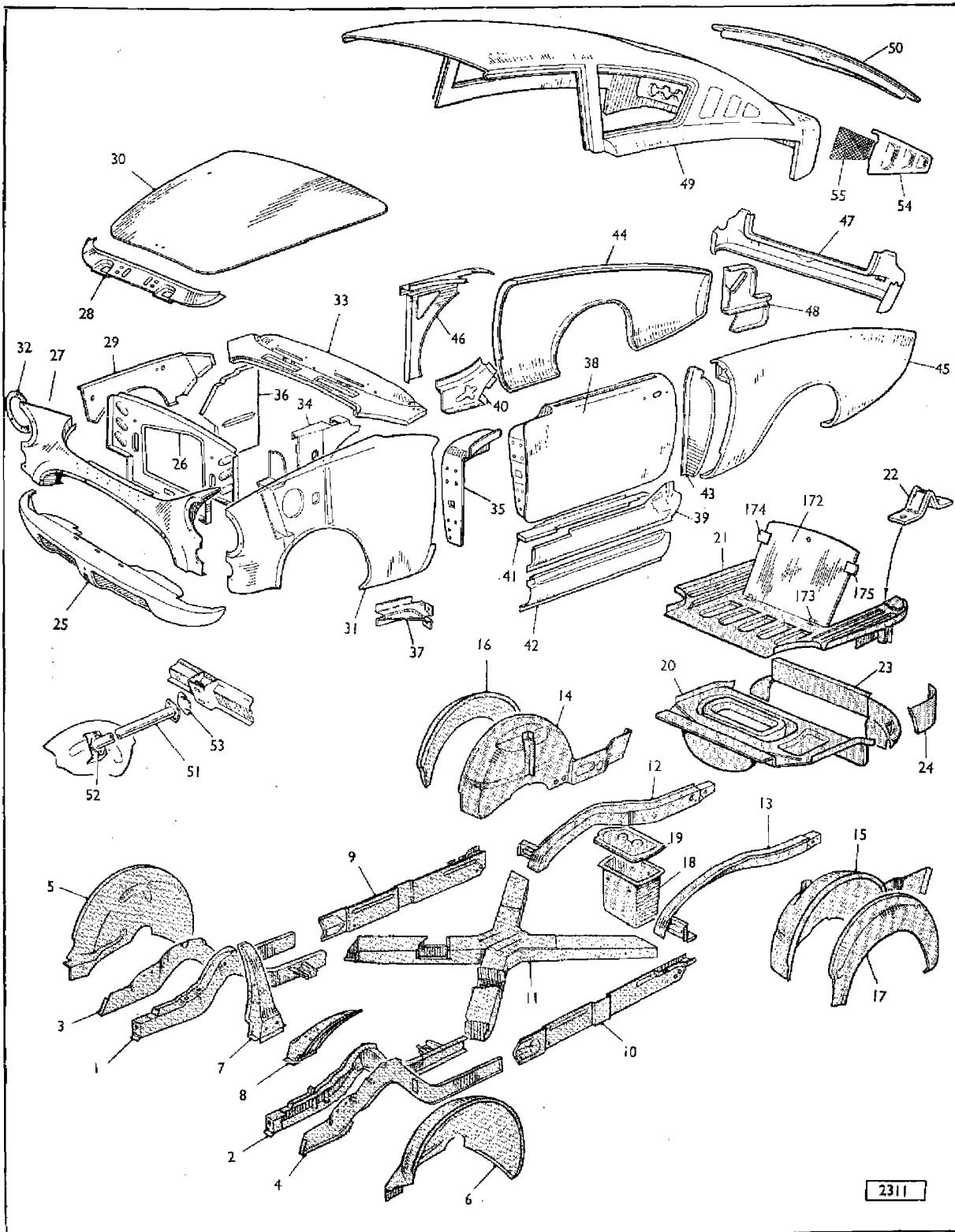


PLATE A — SECTION YW

BODY FITTINGS — HARRINGTON "LE MANS"

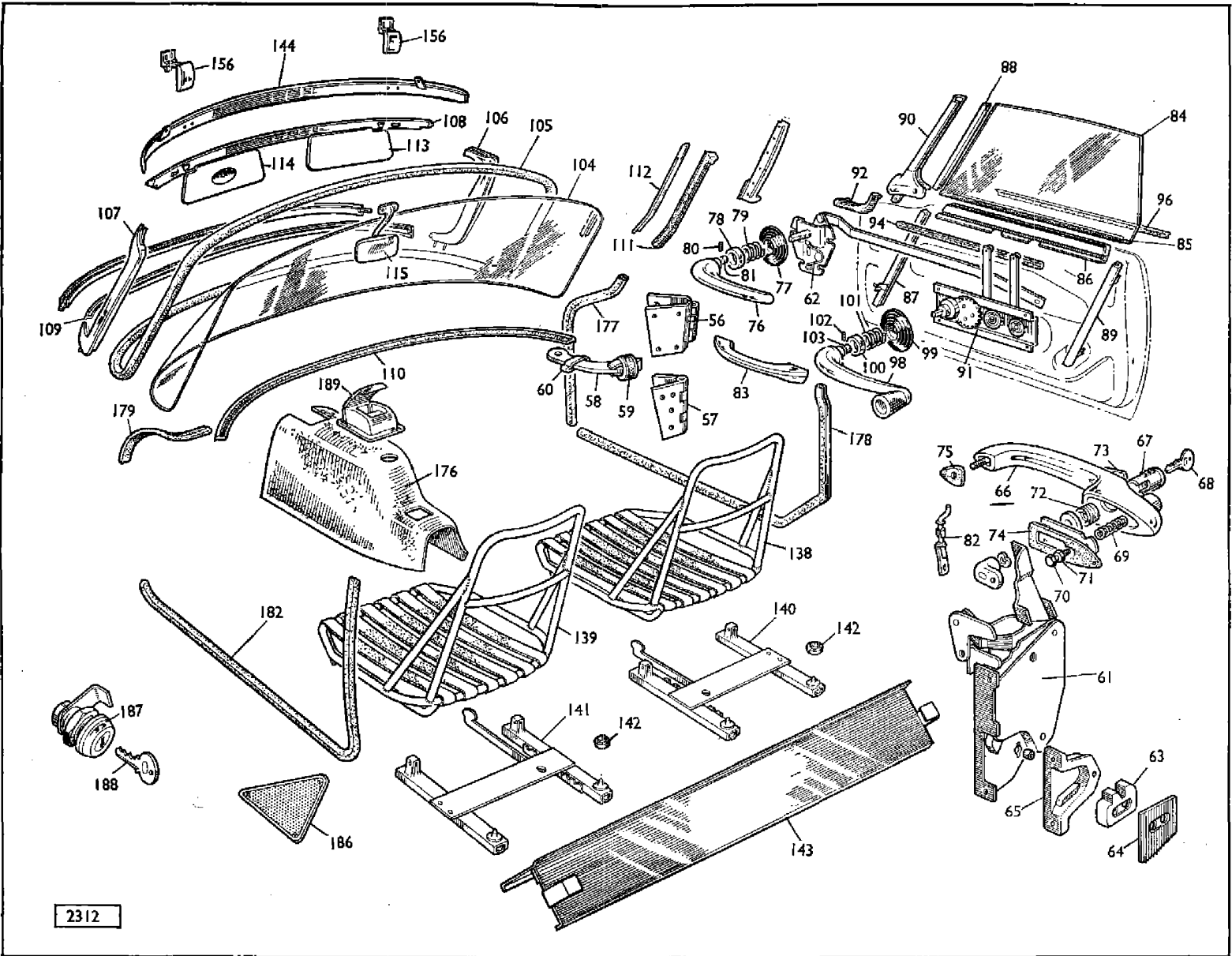
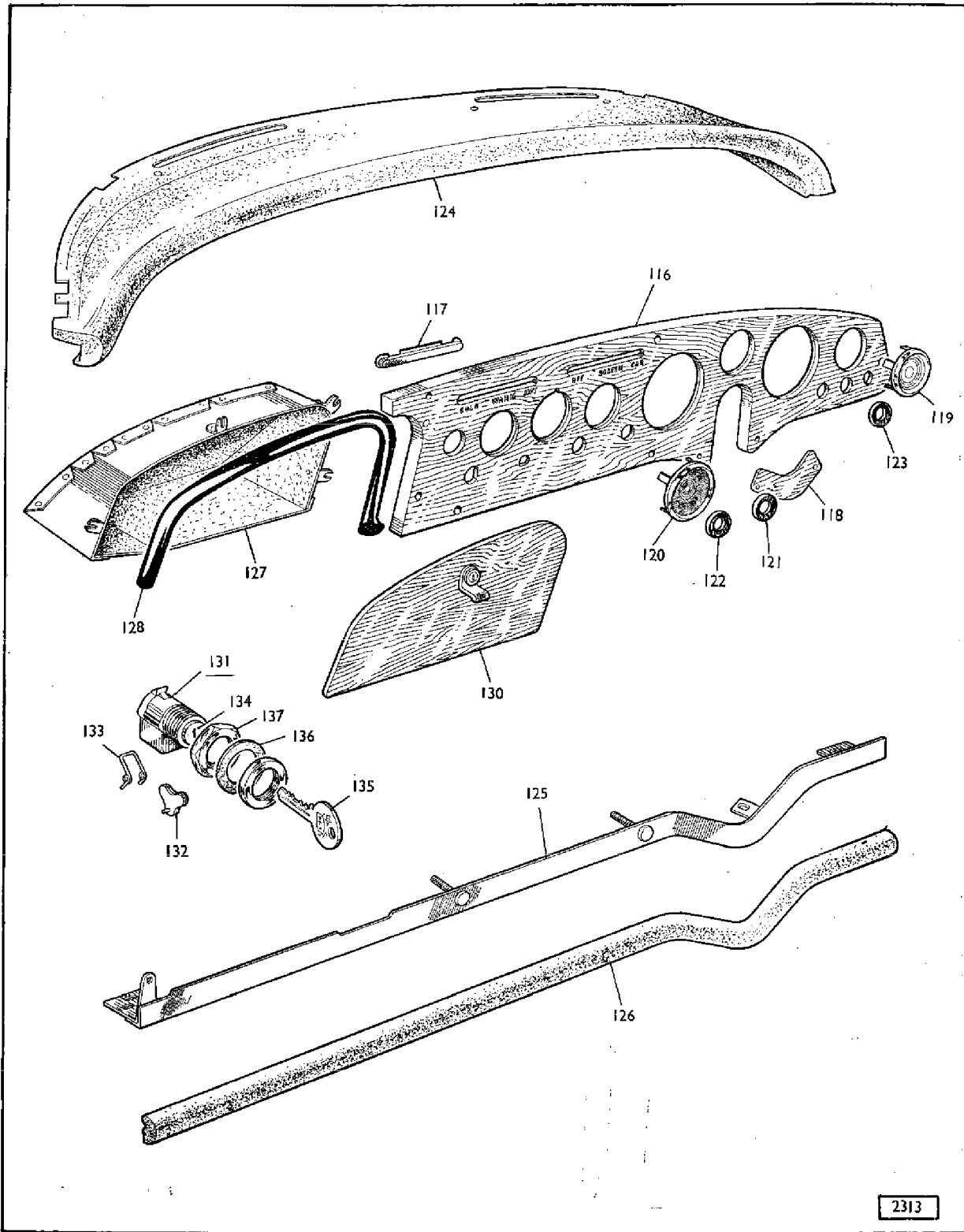


PLATE B — SECTION YW

BODY FITTINGS — HARRINGTON "LE MANS"



2313

PLATE C — SECTION YW

BODY FITTINGS — HARRINGTON "LE MANS"

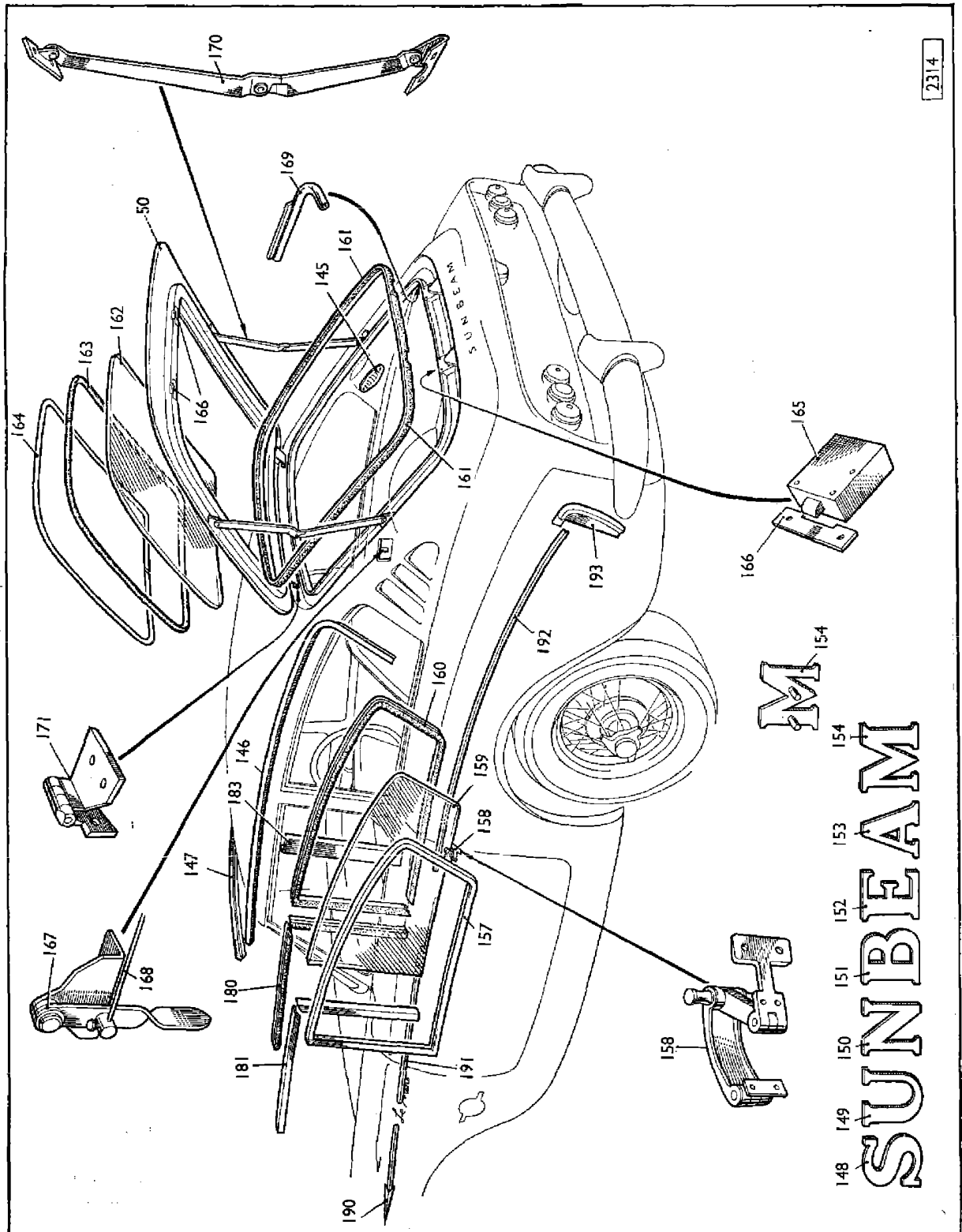


PLATE D — SECTION YW

BODY FITTINGS—HARRINGTON "LE MANS"

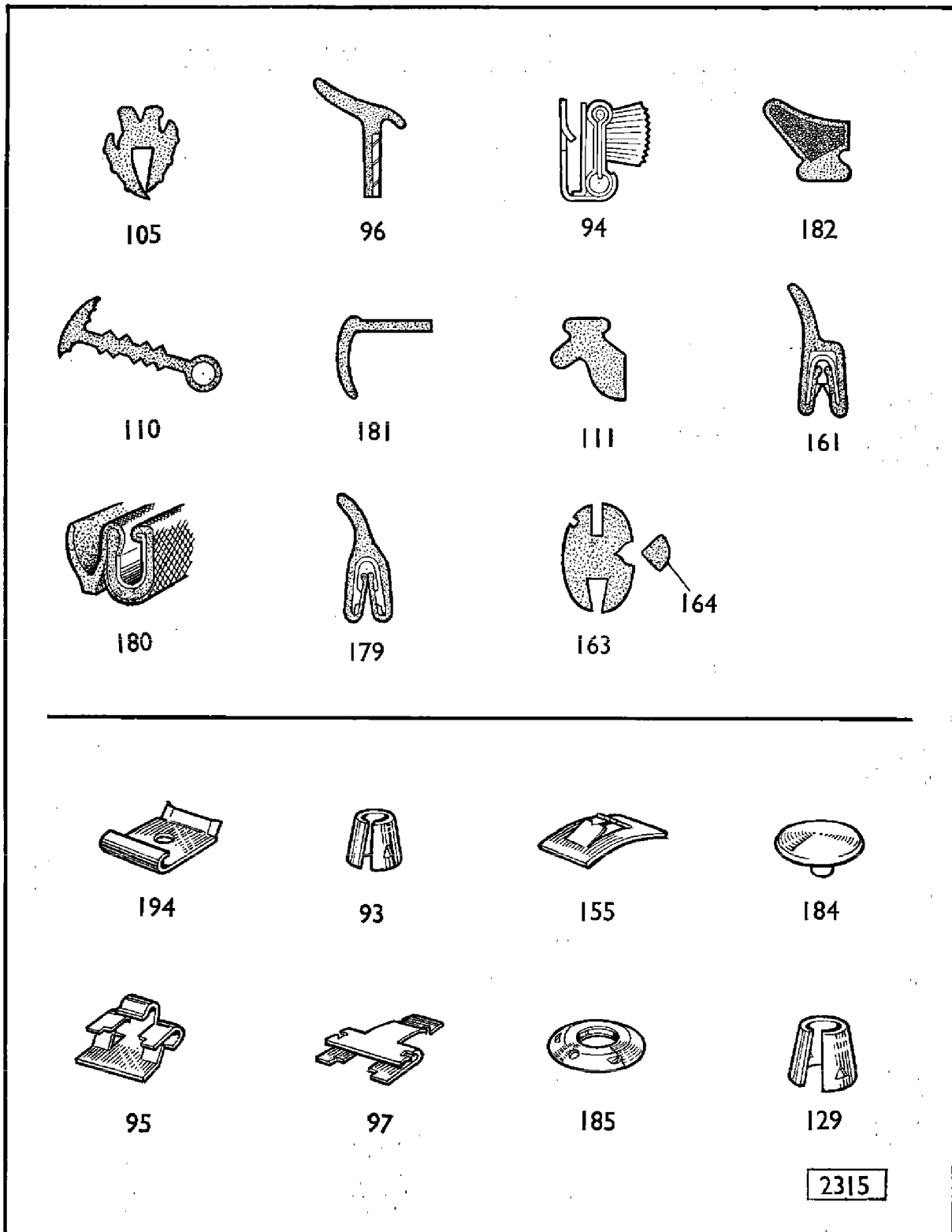


PLATE E—SECTION YW

BODY FITTINGS — HARRINGTON "LE MANS"

Plate Ref.	Part Number	DESCRIPTION	No. per Veh.	REMARKS
	5240477	BODY SHELL	1	
		UNDERFRAME SECTION		
A1	2218784	Front side member, O/S (R.H.)	1	
A2	2218785	Front side member, N/S (L.H.)	1	
A3	H.117952	Reinforcement plate, O/S (R.H.)	1	
A4	H.117953	Reinforcement plate, N/S (L.H.)	1	
A5	2122358 s/d by 2225854	Front wheelarch panel, O/S (R.H.)	1	
A6	2122359 s/d by 2236031	Front wheelarch panel, N/S (L.H.)	1	
A7	H.109222	Stay, O/S (R.H.)	1	
A8	H.109223	Stay, N/S (L.H.)	1	
A9	H.112770 s/d by 2226542	Inner sill, O/S (R.H.)	1	
A10	H.112771 s/d by 2226543	Inner sill, N/S (L.H.)	1	
A11		Cross brace		Not supplied
A12	2208844	Rear side member, O/S (R.H.)	1	
A13	2208845	Rear side member, N/S (L.H.)	1	
A14	2122392	Rear wheelarch panel, O/S (R.H.)	1	
A15	2122393	Rear wheelarch panel, N/S (L.H.)	1	
A16	2122320	Rear wheelarch panel, O/S (R.H.)	1	
A17	2122321	Rear wheelarch panel, N/S (L.H.)	1	
A18	2202405	Battery box	1	
A19		Cover—Battery box		Not supplied
A20	2122380	Spare wheel floor panel	1	
A21	2122364	Luggage floor panel	1	Standard Panel will be supplied and this must be modified by customer
A22	2208250	Spring—Catch	2	
		Rivets—Spring		Not supplied
A23	2122350	Closing panel—Spare wheel floor—Lower	1	
	2122346	Closing panel, O/S (R.H.)	1	
A24	2122347	Closing panel, N/S (L.H.)	1	
		to body side		
		BODY SHELL SECTION		
A25	2201032 s/d by 2235402	Front apron	1	
A26	2200911 s/d by 2225853	Radiator support panel	1	
	5240248 s/d by 2225858	Bonnet surround panel—Front	1	
A27	5240471 s/d by 2225858	Bonnet surround panel—Front	1	See Data 2G/192
A28	2200991 s/d by 2218456	Bonnet surround panel—Front inner	1	
A29	2211932 s/d by 2225186	Valance panel, O/S (R.H.)	1	
	2211933 s/d by 2225187	Valance panel, N/S (L.H.)	1	
A30	2217045 s/d by 2225852	Bonnet panel	1	
	5240270 s/d by 2225856	Front wing panel, O/S (R.H.)	1	
A31	5240269 s/d by 2225857	Front wing panel, N/S (L.H.)	1	
A32	2207698 s/d by 2217143	Attachment plate—Headlamp	2	
A33	5240271	Scuttle panel	1	
	5240148	Inner closing panel, O/S (R.H.)	1	
A34	5240149	Inner closing panel, N/S (L.H.)	1	
	2212232	Closing panel, O/S (R.H.)	1	
A35	2212233	Closing panel, N/S (L.H.)	1	
A36	2211934 s/d by 2212204	End support panel, O/S (R.H.)	1	
	2211935 s/d by 2212205	End support panel, N/S (L.H.)	1	
A37	2200963	Checkstrap bracket	2	
	2212530 s/d by 2225860	Door shell, O/S (R.H.)	1	
A38	2212531 s/d by 2225861	Door shell, N/S (L.H.)	1	

BODY FITTINGS — HARRINGTON "LE MANS"

Plate Ref.	Part Number	DESCRIPTION	No. per Veh.	REMARKS
		BODY SHELL—continued		
	2212550	Angle plate, O/S (R.H.) } Door inner	1	
	2212551	Angle plate, N/S (L.H.) } panel	1	
	2200938	Sill panel, O/S (R.H.) } Intermediate	1	
A39	2200939	Sill panel, N/S (L.H.) } Inner	1	
	2200936	Sill gusset, O/S (R.H.) } Inner	1	
A40	2200937	Sill gusset, N/S (L.H.) } Inner	1	
	2201348	Sill panel, O/S (R.H.) } Top	1	
A41	2201349	Sill panel, N/S (L.H.) } Top	1	
	2200948	Sill panel, O/S (R.H.) } Outer	1	
A42	2200949	Sill panel, N/S (L.H.) } Outer	1	
	2200944	Centre pillar panel, O/S (R.H.)	1	
A43	2200945	Centre pillar panel, N/S (L.H.)	1	
A44	2221031	Rear wing panel, O/S (R.H.)	1	} No longer available
A45	2221032	Rear wing panel, N/S (L.H.)	1	
A46	2201056	Quarter panel, O/S (R.H.) } Rear wing	1	
	2201057	Quarter panel, N/S (L.H.) } (fender) inner	1	
A47	2200910	Rear lower panel	1	} Standard panels will be supplied and these must be modified by customer
A48	2201062	Closing panel, O/S (R.H.) } Trunk	1	
	2201063	Closing panel, N/S (L.H.) } side	1	
A49	2220900	Roof panel (Hardtop)	1	} No longer available
A50	2220902	Boot lid frame	1	
A51	2201800	Reinforcement tube, O/S (R.H.) } Bulkhead to wheelarch	1	
	2201801	Reinforcement tube, N/S (L.H.) } Bulkhead to wheelarch	1	
	19505061	Bolt, 1/8" UNF. x 3/4" } Brace to bulkhead and wheelarch bracket	4	
	19505041	Bolt, 1/8" UNF. x 1/2" } Brace to bulkhead and wheelarch bracket	4	
	9664202	Washer, 1/8" shakeproof } wheelarch bracket	8	
	9067027	Washer, 1/8" plain } wheelarch bracket	4	
A52		Bracket, O/S (R.H.) } Brace to wheelarch		} Not supplied
		Bracket, N/S (L.H.) } Brace to wheelarch		
A53	2201814	Shim—Brace to bulkhead	A/R	
	2221198	Louvre, O/S (R.H.) } Ventilator	1	} Not supplied with roof panel 2220900
A54	2221197	Louvre, N/S (L.H.) } Ventilator	1	
A55	2221199	Mesh	2	
	2220915	Cover flap—Petrol filler	1	} (No longer available)
	2220911	Hinge	1	
	2220912	Piston } Filler	2	
	2220914	Spring } flap	2	
	2220913	Guide tube	2	
		DOOR HINGES AND CHECK LINK		
B56	2201008	HINGE, O/S (R.H.) } Upper	1	
	2201009	HINGE, N/S (L.H.) } Upper	1	
B57	2201010	HINGE, O/S (R.H.) } Lower	1	
	2201011	HINGE, N/S (L.H.) } Lower	1	
	P.43272	Screw, 1/8" UNF. x 1/2" rsd. hd.—Hinges to body	32	
B58	H.104349	CHECK LINK	2	
B59	H.95217	Buffer	2	
B60	H.101245	Guide spring } Check link	2	
	2212324	Rivet ... } Check link	2	
	39303081	Screw, No. 10 UNF. x 1/2"—Check link to "A" post	4	

BODY FITTINGS — HARRINGTON “LE MANS”

Plate Ref.	Part Number	DESCRIPTION	No. per Veh.	REMARKS
DOOR FITTINGS				
DOOR HINGES AND CHECK LINKS—See Body Shell				
B61	2201246	DOOR LOCK, O/S (R.H.)	1	
	2201247	DOOR LOCK, N/S (L.H.)	1	
B62	2201118	Remote control, O/S (R.H.)	1	
	2201119	Remote control, N/S (L.H.)	1	
	39303081	Screw, No. 10 UNF. × ½" } Lock and	12	
	9067008	Washer, ⅜" plain } remote control	12	
	9663122	Washer, ⅜" shakeproof } to door	12	
B63	2206242	Door striker, O/S (R.H.)	1	
	2206243	Door striker, N/S (L.H.)	1	
B64	H.107821	Back plate—Striker	2	
	9050101	Screw, ¼" UNF. × 1"	4	
B65	2217654	Dovetail, O/S (R.H.) } Door	1	
	2217655	Dovetail, N/S (L.H.) } striker	1	
	39103162	Screw, No. 10 UNF. × 1"—Dovetail	4	
B66	2201344	OUTSIDE HANDLE, O/S (R.H.) ...	1	
	2201345	OUTSIDE HANDLE, N/S (L.H.) ...	1	
B67	P.45185	Cylinder lock } FP Series	2	
B68	H.111745	Key ... } 625-750	4	
	5240414	Cylinder lock } ST Series	2	
	5240415	Key ... } 801-899	4	
B69	H.108588	Spring—Knob	2	
B70	2201350	Contact screw	2	
B71	9510031	Nut, No. 10 UNF.	2	
B72	H.107735	Centralising spring	2	
B73	H.109714	†Weathershield, O/S (R.H.)	1	
	H.109715	†Weathershield, N/S (L.H.)	1	
	H.108682	†Spring, O/S (R.H.) } Weathershield	1	
	H.108683	†Spring, N/S (L.H.) }	1	
B74	H.107726	Seating washer—Large	2	
B75	H.107727	Seating washer—Small	2	
	39303081	Screw, No. 10 UNF. × ½" } Handle to doors	2	
	9663122	Washer, ⅜" shakeproof }	4	
	9510030	Nut, No. 10 UNF.	2	
B76	2201734	INSIDE HANDLE	2	
B77	H.109020	Base	2	
B78	H.109923	Crown } Inside handle escutcheon	2	
B79	H.109924	Spring	2	
B80	H.108236	Cross pin } Inside handle	2	
B81	H.90305	Rubber pad } to door	2	
B82	2207754	Connecting link, O/S (R.H.)	1	
	2207755	Connecting link, N/S (L.H.)	1	
B83	H.118625	DOOR PULL	2	
	39403142	Screw, No. 10 UNF. × ⅜"—Handle to door	4	
B84	2220925	LIFTING GLASS—Door	2	
B85	H.63579	Glazing rubber	A/R	
B86	2212344	Bottom glass channel, O/S (R.H.)	1	
	2212345	Bottom glass channel, N/S (L.H.)	1	
B87	2212506	Glass channel, O/S (R.H.) } Front	1	
	2212507	Glass channel, N/S (L.H.) } lower	1	

BODY FITTINGS — HARRINGTON "LE MANS"

Plate Ref.	Part Number	DESCRIPTION	No. per Veh.	REMARKS
		DOOR FITTINGS—continued		
B88	2212428	Glass channel—Upper	2	
	9663123	Washer, $\frac{3}{8}$ " shakeproof	6	
	9067095	Washer, $\frac{3}{8}$ " plain	6	
	9067018	Washer, $\frac{1}{4}$ " plain—Lower channel	4	
B89	2212412	Glass channel, O/S (R.H.)	1	
	2212413	Glass channel, N/S (L.H.)	1	
B90	2212256	Support, O/S (R.H.)	1	
	2212257	Support, N/S (L.H.)	1	
		Packing—Support		Not supplied
	39213122	Screw, No. 10 $\times \frac{3}{4}$ "—Support to door	4	
	39303060	Screw, No. 10 UNF. $\times \frac{3}{4}$ " P.H.—Support to door	2	
B91	2212542	Window regulator, O/S (R.H.)	1	
	2212543	Window regulator, N/S (L.H.)	1	
	39304061	Screw, $\frac{1}{4}$ " UNF. $\times \frac{3}{8}$ "	12	
	9664162	Washer, $\frac{1}{4}$ " shakeproof	12	
B92	2212260	Finisher (plastic), O/S (R.H.)	1	
	2212261	Finisher (plastic), N/S (L.H.)	1	
E93	9132933	Clip—Finisher to door	4	
BE94	2207838	Seal, 27 $\frac{1}{2}$ " long—Door waist—Inner	2	
E95	9132501	Clip—Seal to door	28	
	2212266	Seal, O/S (R.H.)	1	} Superseded by 2212538/9
	2212267	Seal, N/S (L.H.)	1	
BE96	2212538	Seal, O/S (R.H.)	1	
	2212539	Seal, N/S (L.H.)	1	
E97	2212159	Clip } Seal to	12	
	2212363	Clip } door	2	
B98	2201735	HANDLE—Window Regulator	2	
B99	H.109020	Base	2	
B100	H.109923	Crown	2	
B101	H.109924	Spring	2	
B102	H.108236	Cross pin	2	
B103	H.90305	Rubber pad	2	
		Door trim pads, etc.		See Trim Section
		WINDSCREEN (Windshield)		
B104	2201262	Glass (Toughened)	1	Superseded by 2217064/5
	2217064	Glass, R.H.D. } Zone	1	
	2217065	Glass, L.H.D. } toughened	1	
	2201355	Glass (Laminated)	1	
BE105	2212563	Glazing Rubber—Glass to Frame	1	
B106	2221029	Side Pillar, O/S (R.H.)	1	
B107	2221028	Side Pillar, N/S (L.H.)	1	
B108	2201318	Top channel	1	
B109	2221030	Bottom channel	1	
	39011062	Screw, 4 BA $\times \frac{3}{8}$ "—Channels	5	
BE110	2212560	Weatherstrip—Screen to scuttle	1	
BE111	2212426	Weatherstrip, O/S (R.H.)	1	
	2212427	Weatherstrip, N/S (L.H.)	1	
B112	2212066	Retainer, O/S (R.H.)	1	
	2212067	Retainer, N/S (L.H.)	1	

BODY FITTINGS — HARRINGTON "LE MANS"

Plate Ref.	Part Number	DESCRIPTION	No. per Veh.	REMARKS
		WINDSCREEN (Windshield)—continued		
	49016005	Screw, No. 6 UNF. × $\frac{5}{8}$ "—Retainer to side pillar	8	
	2220955	Sleeve nut (short)	2	
	2220956	Sleeve nut (long)	2	
	9067109	Washer, $\frac{7}{8}$ " plain	4	
	19504042	Screw, $\frac{1}{4}$ " UNF. × $\frac{1}{2}$ "	3	
	9067112	Washer, $\frac{1}{4}$ " plain	3	
B113	2220998	SUN VISOR—Driver's	1	
B114	2221000	SUN VISOR—R.H.D.	1	
	2220999	SUN VISOR—L.H.D.	1	
	9722105	Screw, No. 6 × $\frac{1}{8}$ " rsd. hd.—Visor to body	6	
B115	2207661	REAR VISION MIRROR	1	
	39213082	Screw, No. 10 × $\frac{1}{2}$ "—Mirror to deck panel	2	
	H.117201	LICENCE HOLDER	1	
		FACIA		
C116	2220941	INSTRUMENT PANEL—R.H.D.	1	
	2220942	INSTRUMENT PANEL—L.H.D.	1	
C117	2207815	Plastic insert—Blanking heater slots	1	
	39214161	Screw, $\frac{1}{4}$ " UNF. × 1"	5	
	9664162	Washer, $\frac{1}{4}$ " shakeproof	7	
	H.26255	Rubber washer	7	
	9510040	Nut, $\frac{1}{4}$ " UNF.	7	
C118	1201645	Finisher—Instrument panel	1	
	1206129	Adaptor washer—Choke control	1	
	9067008	Washer, $\frac{3}{8}$ " plain	2	
	9663122	Washer, $\frac{3}{8}$ " shakeproof	2	
	9510030	Nut, No. 10 UNF.	2	
C119	2201432	Motif—Ammeter aperture	1	
C120	1201327	Motif—Clock aperture	1	
C121	1206118	Escutcheon—Panel light switch	1	
C122	1201525	Escutcheon—Lighting switch	1	
C123	1201526	Escutcheon—Wiper switch	1	
C124	2201273	CRASH PAD—Facia Top	1	
	9711085	Screw, No. 4 × $\frac{1}{2}$ "—Finisher to scuttle panel	4	
C125	2201378	Lower support rail	1	
C126	2201402	Crash pad—Rail	1	
	2201379	Lower support rail	1	
	2201403	Crash pad—Rail	1	
	9067015	Washer, $\frac{1}{4}$ " plain	2	
	9510040	Nut, $\frac{1}{4}$ " UNF.	2	
	19504051	Screw, $\frac{1}{4}$ " UNF. × $\frac{3}{8}$ "	2	
	9067017	Washer, $\frac{1}{4}$ " plain	2	
	9664162	Washer, $\frac{1}{4}$ " shakeproof	2	
C127	2207868	CUBBY BOX—R.H.D.	1	
	2207869	CUBBY BOX—L.H.D.	1	
C128	2201400	Surround—R.H.D.	1	
	2201401	Surround—L.H.D.	1	
		Adaptor		
	9661161	Washer, $\frac{1}{4}$ " spring	1	Not supplied
	9510040	Nut, $\frac{1}{4}$ " UNF.	1	

BODY FITTINGS — HARRINGTON "LE MANS"

Plate Ref.	Part Number	DESCRIPTION	No. per Veh.	REMARKS
		FACIA—continued		
E129	P.43759	Clip—Cubby box and surround to body	4	
C130	2220943	Lid, R.H.D. } Cubby... ..	1	
	2220944	Lid, L.H.D. } box	1	
C131	H.97390	Push button lock	1	
C132	K.26244	Bell crank lever } Lock	1	
C133	K.24483	Spring	1	
C134	H.92647	Cylinder lock	1	
C135	P.45557	Key—Series FP625-750	2	
C136	H.92644	Fibre washer	1	
C137	H.92643	Nut	1	
	2220940	Hinge	2	
	H.114246	Finger pull } Cubby box lid	1	
		Name plate }	1	Not supplied
	2220968	Starlock washer—Nameplate to lid	2	
		FRONT SEAT FITTINGS		
B138	2220931	SEAT FRAME, O/S (R.H.)	1	
B139	2220930	SEAT FRAME, N/S (L.H.)	1	
B140	2207774	Seat slide, O/S (R.H.)... ..	1	
B141	2207775	Seat slide, N/S (L.H.)... ..	1	
B142	2207728	Buffer—Seat slide	4	
	19106131	Bolt, 3/8" UNF. x 1 1/2" } Slide to	4	
	9551063	Nut, 3/8" UNF. Nyloc } seat frame	4	
	39405140	Screw, 5/16" UNF. x 7/8" } Slide to	2	
	9661201	Washer, 3/8" spring } floor (rear)	2	
	39404123	Screw, 1/2" UNF. x 3/4" Fill. Hd. } Slide to	6	
	9661161	Washer, 3/4" spring } floor	6	
		REAR SEAT AND BATTERY FITTINGS		
B143	2221117	Hinged flap—Seat	1	
	2221074	Hinge, O/S (R.H.) } Hinged flap	1	
	2221073	Hinge, N/S (L.H.) } —Seat	1	
	2221068	Hinge, O/S (R.H.) } Folding squab	1	
	2221067	Hinge, N/S (L.H.) } to body	1	
	19503081	Bolt, No. 10 UNF. x 1" csk. } Seat hinge to body	4	
	9661122	Washer, 3/8" spring	4	
	9034023	Nut, No. 10 UNF.	4	
	19504121	Bolt, 1/2" UNF. x 1 1/2" csk. } Hinge to	4	
	9510040	Nut, 1/2" UNF. ... } folding seat	4	
		BATTERY BOX		See Body Shell
		COVER—BOX		Not supplied
	2201587	Fastener } Cover	2	
	9119003	Buffer }	2	
	2211966	Buffer—End bracket—Cover	2	38 A/H battery
	1201658	Battery cradle	1	
	1201657	Rubber pad—Cradle to box	2	
	1201633	Adaptor—Cradle	1	38 A/H battery

BODY FITTINGS — HARRINGTON "LE MANS"

Plate Ref.	Part Number	DESCRIPTION	No. per Veh.	REMARKS
HARDTOP FITTINGS				
HARDTOP PANEL—See Body Shell				
B144	2212358	Header rail	1	
D145	2220901	Ventilators—Inner	2	
	9731085	Screw, No. 4 × ½" pan hd.—Ventilator to body	4	
		Bracket—Ventilators	2	Not supplied
	2220916	Gutter (drip) moulding, O/S (R.H.)... ..	1	
D146	2220917	Gutter (drip) moulding, N/S (L.H.)... ..	1	
D147	2220918	Gutter (drip) moulding—Front	1	Top of screen
	9711106	Screw, No. 4 × ⅜" csk. } Gutter (drip) moulding	A/R	
	9721085	Screw, No. 4 × ½" rsd. hd. } to hardtop	A/R	
		Listing rail No. 1	1	} Not supplied
		Listing rail No. 2	1	
		Listing rail No. 3	1	
		Listing rail No. 4	1	
	2220958	Headlining complete	1	Less listing rails
D148	2201600	"S"	1	
D149	2201601	"U"	1	
D150	2201602	"N"	1	
D151	2201603	"B" } Name Letters—Roof panel	1	
D152	2201604	"E"	1	
D153	2201605	"A"	1	
D154	2201606	"M"	1	
	2201833	Washer (Steel)	14	
	2201832	Washer (Rubber) } Name Letters to roof panel	14	
E155	9206502	Spirenut	14	
BC156	2212498	Toggle catch—Roof panel to screen	2	
	39303203	Screw, No. 10 UNF. × 1½" pan hd.	6	
	39103243	Screw, No. 10 UNF. × 1½" csk.	4	
	9067009	Washer, ⅜" plain	16	
	9661122	Washer, ⅜" spring	10	} Hardtop to body
	9564030	Nut, No. 10 UNF.	10	
	19503051	Bolt, No. 10 UNF. × ⅜"	16	
	9067009	Washer, ⅜" plain	16	
	5240487	Jointing compound—Hardtop to rear quarter panel	Kit	
QUARTERLIGHT				
	2220927	WINDOW ASSEMBLY, O/S (R.H.)	1	
D157	2220926	WINDOW ASSEMBLY, N/S (L.H.)	1	
D158	2220929	Pivot Toggle	2	} Quarterlight
D159	2220928	Glass	2	
D160	2220966	Weatherstrip	A/R	Order in feet
	9732125	Screw, No. 6 × ⅜" pan hd.—Quarterlight to body	12	
	9722105	Screw, No. 6 × ⅜" rsd. hd. } Pivot toggle	4	
	9732085	Screw, No. 6 × ½" pan hd. } to body	2	
BOOT LID AND REAR WINDOW				
BOOT LID FRAME—See Body Panels				
DE161	2220965	Sealing strip—Boot lid frame	A/R	
D162	2220903	Glass (Toughened) } Rear window	1	
	2220904	Glass (Sundym) } (light)	1	

BODY FITTINGS — HARRINGTON "LE MANS"

Plate Ref.	Part Number	DESCRIPTION	No. per Veh.	REMARKS
BOOT LID AND REAR WINDOW—continued				
DE163	2220963	Weatherstrips } Rear window	A/R	
DE164	2220964	Filler ... } (light)	A/R	
D165	H.115785	Lock—Boot lid	2	
	9050065	Screw, 1/4" BSW. x 3/4" mush. hd. } Locks to body	6	
	9661163	Washer, 1/4" spring ... } Locks to body	6	
	9510044	Nut, 1/4" UNF. ... } Locks to body	6	
D166	2220907	Striker plate—Boot lock	2	
	9050148	Screw, No. 2 BA x 1/2" mush. hd.—Striker plate	4	
D167		Trigger assembly		Not supplied
D168	2220910	Cable ... } Boot lid release	1	
D169	2220948	Cable tube ... } Boot lid release	1	
	19503041	Screw, No. 10 UNF. x 1/2" } Boot release	1	
	9034023	Nut, No. 10 UNF. ... } to body	1	
D170	2220905	Quadrant, O/S (R.H.) } Boot lid	1	
	2220906	Quadrant, N/S (L.H.) } frame	1	
	9000155	Bolt, No. 2 BA. x 3/4" } Quadrant	4	
	9034016	Nut, No. 2 BA. ... } to lid	4	
D171	2220947	Hinge, O/S (R.H.) } Boot lid	1	
	2220946	Hinge, N/S (L.H.) } frame	1	
		Hinge support ...		Not supplied
	39104120	Screw, 1/4" UNF. x 3/4" csk.—Hinge to body	4	
	19504061	Screw, 1/4" UNF. x 3/4" csk.—Hinge to lid	4	
	2221054	Spring—Boot lid release	1	
	9732105	Screw, No. 6 x 3/8" P.H.—Spring to roof panel	2	
SPARE WHEEL COMPARTMENT LID AND FLOOR				
A172		LID (Plywood)		} Not supplied
		Reinforcement—Hinge to floor		
A173	2220949	Hinge—Lid	2	} supplied
	39103120	Screw, No. 10 UNF. x 3/4" csk. } Hinge to lid	6	
	9564030	Nut, No. 10 UNF. ... } Hinge to lid	6	
	9067010	Washer, 3/8" plain ... } Hinge to lid	6	
	39103160	Screw, No. 10 UNF. x 1" csk. } Hinge to reinforcement	6	
	9564030	Nut, No. 10 UNF. ... } Hinge to reinforcement	6	
	9067010	Washer, 3/8" plain ... } Hinge to reinforcement	6	
	39702120	Screw, No. 8 UNC. x 3/4" csk. } Reinforcement to floor	4	
	9558020	Nut, No. 8 UNC. ... } Reinforcement to floor	4	
	9067004	Washer, 3/8" plain ... } Reinforcement to floor	4	
A174	2220951	Spring latch plate, O/S (R.H.)	1	
A175	2220950	Spring latch plate, N/S (L.H.)	1	
	9119012	Grommet—Latch plate	2	
	39602080	Screw, No. 8 UNC. x 1/2" } Latch Plate to lid	6	
	9558020	Nut, No. 8 UNC. ... } Latch Plate to lid	6	
	9067004	Washer, 3/8" plain ... } Latch Plate to lid	6	
		Cover plate, O/S (R.H.) } Floor		} Not supplied
		Cover plate, N/S (L.H.) } panel		
	2221056	Flush lifting ring	1	

BODY FITTINGS — HARRINGTON "LE MANS"

Plate Ref.	Part Number	DESCRIPTION	No. per Veh.	REMARKS
		SPARE WHEEL COMPARTMENT LID AND FLOOR—cont.		
	39700106	Screw, No. 4 UNC. × ½" csk. }	4	Not supplied
	9558000	Nut, No. 4 UNC. } Lifting ring to lid	4	
	9067000	Washer, ½" plain }	4	
		Insulation—Lid		
	2207873	Strap } Spare	1	
	2207874	Staple } wheel	1	
	39103080	Screw, No. 10 UNF. × ½"—Staple to floor	2	
		SOFT TRIM		
		SOFT TRIM		
		VYNIDE—VT1173 (50" wide)		
	5106377	Lake Blue	A/R	
	5109472	Scarlet	A/R	
	5106366	Black... ..	A/R	
		VYNIDE—VT1146 (50" wide)		
	5106702	Lake Blue	A/R	
	5109479	Scarlet	A/R	
	5106394	Black... ..	A/R	
		VYNIDE—VT1244		
	5108465	Scarlet	A/R	
	5108464	Black... ..	A/R	
	5106382	Powder Blue	A/R	
	5108466	Moonstone	A/R	
	5101206	Seacrest Green	A/R	
		Piping.		
		LEATHERCLOTH—X17		
	5109823	Lake Blue	A/R	
	5101132	Scarlet	A/R	
	5106410	Black... ..	A/R	
		HEADLINING COMPLETE		See Hardtop Fittings
	2220961	HEADLINING MATERIAL	A/R	
	2220975	Carpet, O/S (R.H.) } Front	1	
	2220974	Carpet, N/S (L.H.) }	1	
	2220977	Carpet, O/S (R.H.) } Behind front seat } Black with	1	
	2220976	Carpet, N/S (L.H.) } } Red piping	1	
	2220978	Carpet—Forward of folding seat	1	
	2220979	Carpet—Rear	1	
	2220981	Carpet, O/S (R.H.) } Front	1	
	2220980	Carpet, N/S (L.H.) }	1	
	2220983	Carpet, O/S (R.H.) } Behind front seat } Black with	1	
	2220982	Carpet, N/S (L.H.) } } Blue piping	1	
	2220984	Carpet—Forward of folding seat	1	
	2220985	Carpet—Rear	1	

BODY FITTINGS — HARRINGTON "LE MANS"

Plate Ref.	Part Number	DESCRIPTION	No. per Veh.	REMARKS
		SOFT TRIM—continued		
	2220987	Carpets, O/S (R.H.) } Front	1	
	2220986	Carpets, N/S (L.H.) }	1	
	2220989	Carpets, O/S (R.H.) } Behind front seat	1	
	2220988	Carpets, N/S (L.H.) }	1	
	2220990	Carpets—Forward of folding seat	1	
	2220991	Carpets—Rear	1	
	2220993	Carpets, O/S (R.H.) } Front	1	
	2220992	Carpets, N/S (L.H.) }	1	
	2220995	Carpets, O/S (R.H.) } Behind front seat	1	
	2220994	Carpets, N/S (L.H.) }	1	
	2220996	Carpets—Forward of folding seat	1	
	2220997	Carpets—Rear	1	
		MOULDED GEARBOX CARPET		
B176	5109694	Blue	1	
	5109692	Scarlet	1	
	5109693	Black	1	
		CARPET—Rubber backed (40" wide)		
	5101051	Blue	A/R	
	5101062	Scarlet	A/R	
	5101053	Black	A/R	
		FURFLEX PIPING		
B177	5109354	Lake Blue	A/R	
	5109352	Red } "A" Post	A/R	
	5109353	Black	A/R	
B178	5108357	Lake Blue } Doors	2	
	5108355	Red	2	
	5108356	Black	2	
		TRIM PAD—Scuttle side		
	2201806	Trim pad, O/S (R.H.) } Red	1	
	2201807	Trim pad, N/S (L.H.) }	1	
	2201816	Trim pad, O/S (R.H.) } Black	1	
	2201817	Trim pad, N/S (L.H.) }	1	
	5109948	Trim pad, O/S (R.H.) } Scarlet	1	
	5109952	Trim pad, N/S (L.H.) }	1	
	5108379	Plastic finisher—Red } Scuttle	A/R	
	5108380	Plastic finisher—Black } trim pad	A/R	
		MISCELLANEOUS TRIM		
		Doors		
		Trim pad—See Soft Trim.		
	9722125	Screw, No. 6 x 3/4" rsd. hd. } Trim	36	
	9670613	Cup washer } pad	36	
	2201454	Door seal, O/S (R.H.) } "A" Post	1	
BE179	2201455	Door seal, N/S (L.H.) } Upper	1	
BE180	2220966	Weatherstrip—Inner } Door	A/R	
BE181	2220967	Weatherstrip—Outer } upper	A/R	
BE182	2201130	Weatherstrip, 64" long—Door shut and bottom	2	

BODY FITTINGS — HARRINGTON "LE MANS"

Plate Ref.	Part Number	DESCRIPTION	No. per Veh.	REMARKS
		MISCELLANEOUS TRIM—continued		
		Doors—continued		
D183	2220971	Capping, O/S (R.H.) } Pillar	1	
	2220969	Capping, N/S (L.H.) }	1	
	9721105	Screw, No. 4 × 3/8" rsd. hd.—Capping to pillar	14	
	2221057	Tread plate, O/S (R.H.) } Door	1	
	2221058	Tread plate, N/S (L.H.) } sill	1	
		Floor		
		Carpets—See Soft Trim.		
E184	9128510	Carpet fastener	36	
	9722105	Screw, No. 6 × 3/8" rsd. hd.—Carpet fastener to floor	36	
E185	9128508	Carpet fastener	36	
		Carpet fastener ring		Not supplied
B186	2201750	Finisher, O/S (R.H.) } Sill	1	
	2201751	Finisher, N/S (L.H.) } gusset	1	
	9712085	Screw, No. 6 × 1/2" —Finisher to gusset	6	
		Centre armrest and glove box—Front floor		Not supplied
	2207656	Hinge—Glove box	1	
	39303072	Screw, No. 10 × 1/8" } Hinge	2	
	9067094	Washer, 1/8" plain } to lid	2	
	9732084	Screw, No. 6 × 1/2" —Armrest to floor	6	
B187	2207882	Lock—Glovebox	1	
B188	H.111746	Key—FP726-750 Rectangular head	2	
B189	2201240	Ash tray—Front floor	1	
	9732086	Screw, No. 6 × 1/2" —Ash tray to floor	4	
	9116085	Plug—Front floor panel	2	
	9119035	Plug—Rear floor (Battery box)	2	
		PAINT		
		Note. Numbers in brackets against paint name represent Colour Code stamped on Chassis Identification Plate.		
		1 Pint		
	5100590	Embassy Black (1)	P030/122	A/R
	5107731	Carnival Red ... (39)	P030/8385	A/R
	5101424	Moonstone ... (19)	P030/3917	A/R
	5101040	Seacrest Green... (30)	P030/3033	A/R
	5109899	Wedgewood Blue (53)	P030/3435	A/R
	5109897	Lake Blue ... (52)	P030/3434	A/R
	5108970	Metallic Grey ... (9)	P031/2580	A/R Interior only
		4 Pints		
	5100591	Embassy Black (1)	P030/122	A/R
	5107732	Carnival Red ... (39)	P030/8385	A/R
	5101425	Moonstone ... (19)	P030/3917	A/R
	5101041	Seacrest Green... (30)	P030/3033	A/R
	5109900	Wedgewood Blue (53)	P030/3435	A/R
	5109898	Lake Blue ... (52)	P030/3434	A/R
	5108971	Metallic Grey ... (9)	P031/2580	A/R Interior only

BODY FITTINGS — HARRINGTON "LE MANS"

Plate Ref.	Part Number	DESCRIPTION	No. per Veh.	REMARKS
EXTERIOR MOULDINGS				
	2221130	Moulding, O/S (R.H.)	1	
D190	2221131	Moulding, N/S (L.H.)	1	
D191	2220922	Moulding—Door	2	
	2220920	Moulding, O/S (R.H.)	1	
D192	2220919	Moulding, N/S (L.H.)	1	
	2220924	Moulding, O/S (R.H.)	1	
D193	2220923	Moulding, N/S (L.H.)	1	
E194	5240463	Clip—Moulding to body	32	
		Gutter (drip) moulding—See Hardtop fittings.		
SCREEN WASHER				
	1202164	Container	1	
		Bracket—Container		Not supplied
	9734086	Screw, No. 10 × 1/4" —Bracket to body	2	
	1201389	Control assembly	1	
	P.43555	Hose	A/R	
	2201504	Jet—Screen washer	2	
	9116104	Grommet—Bulkhead	1	

Publication No. 6600992

SECTION YX

BODY FITTINGS — From Series III

Lit. 023

BODY FITTINGS – From Series III

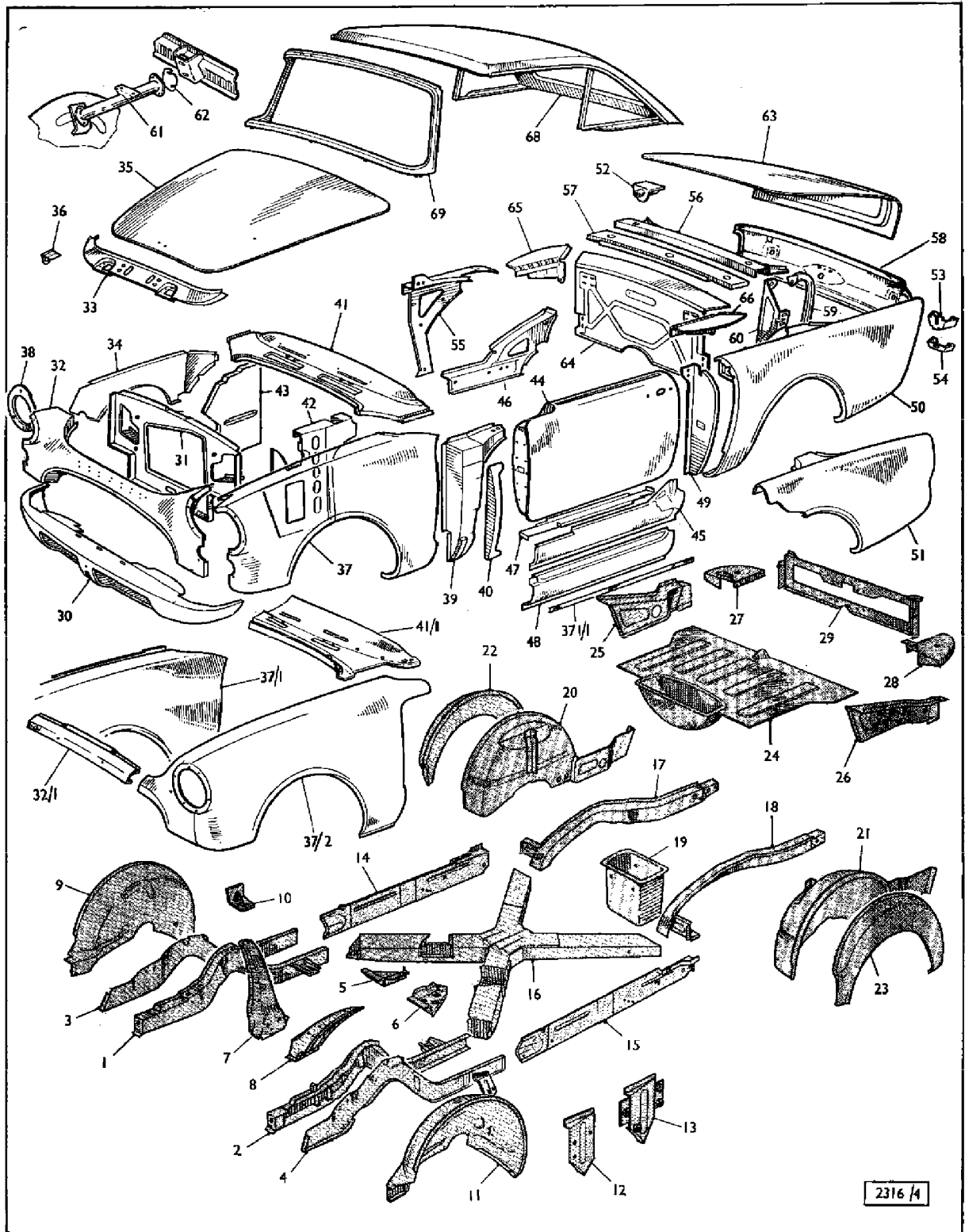


PLATE A – SECTION YX

Lit. 023

BODY FITTINGS — From Series III

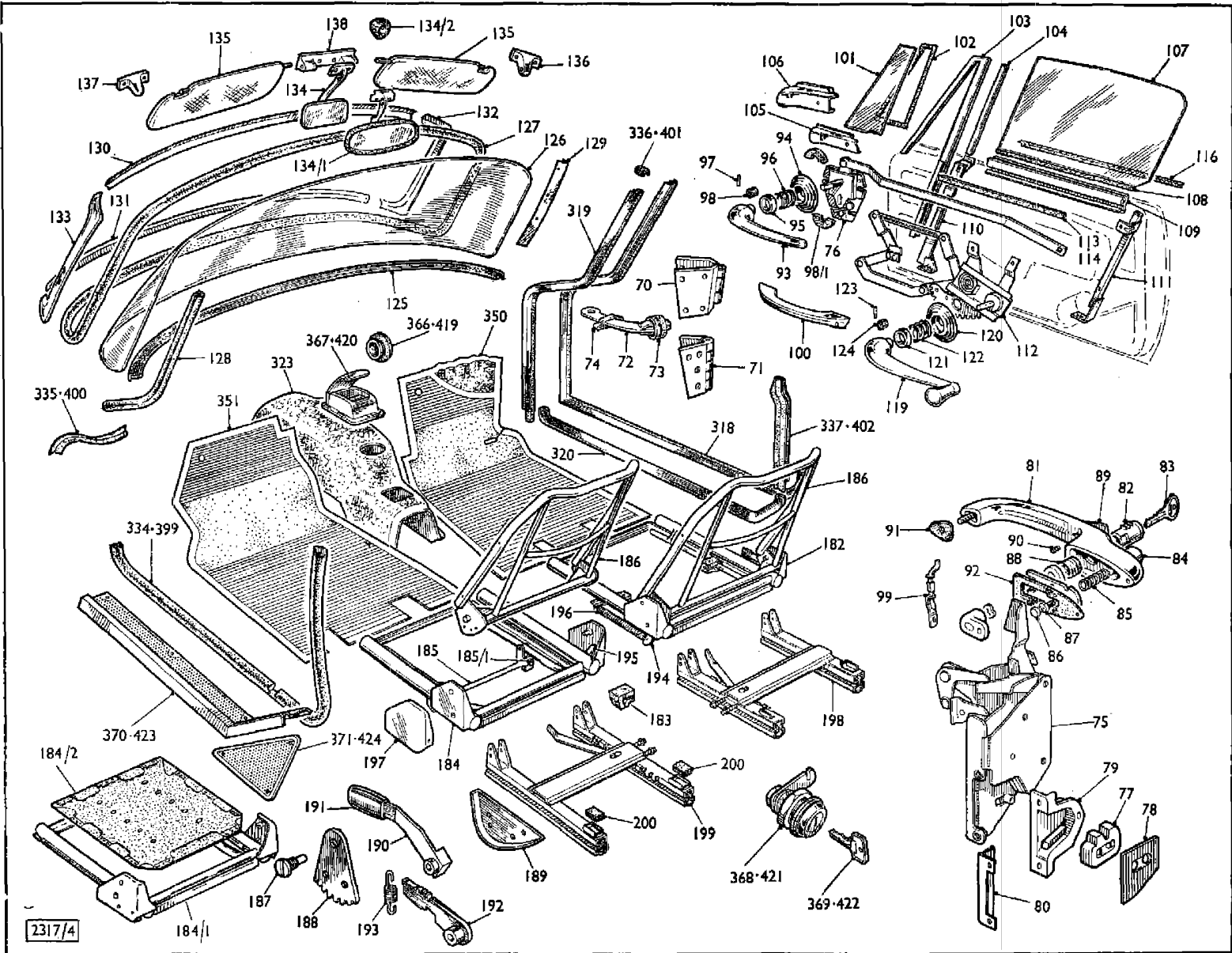


PLATE B — SECTION YX

Lit. 023

BODY FITTINGS — From Series III

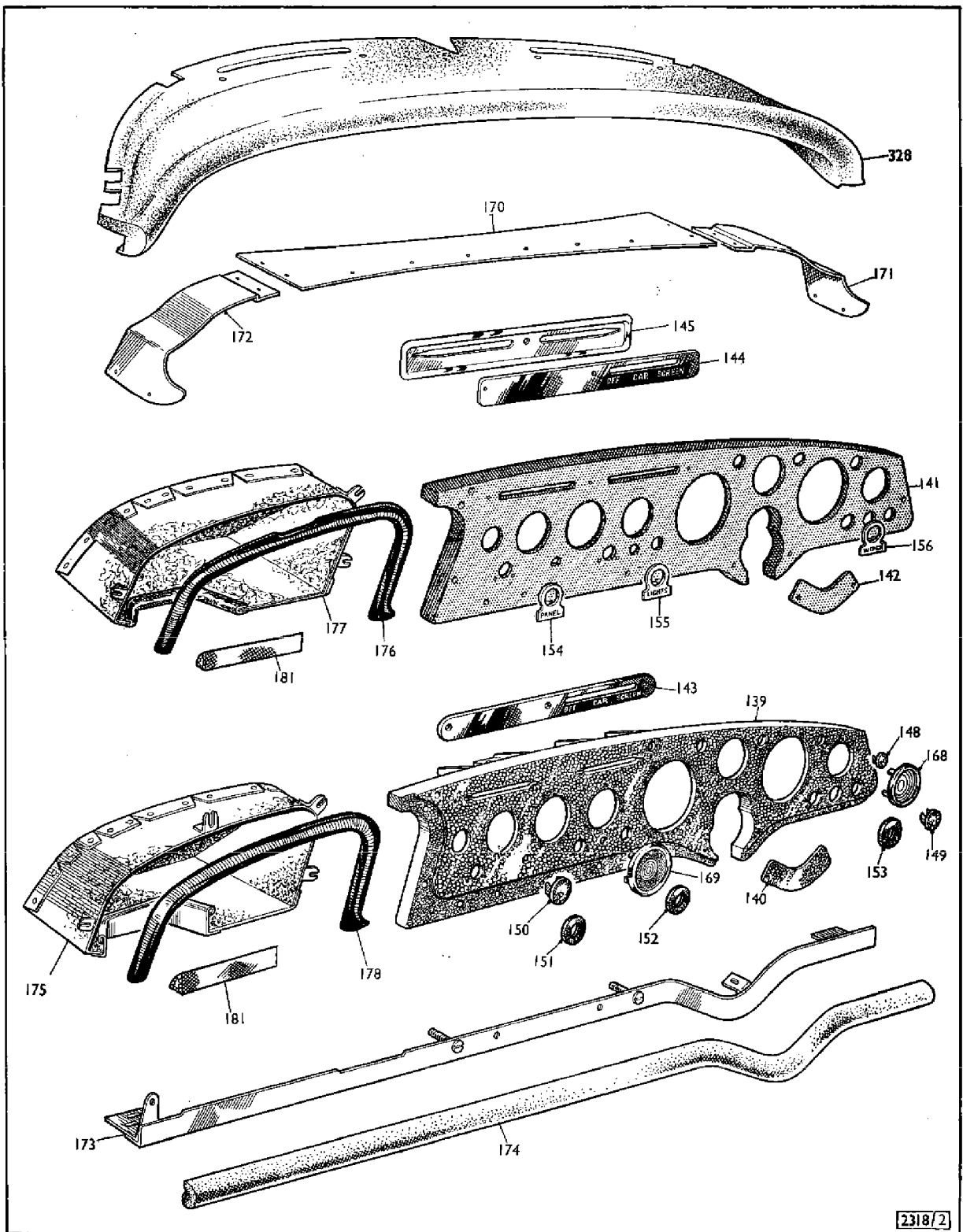


PLATE C — SECTION YX

Lit. 023

BODY FITTINGS—From Series III

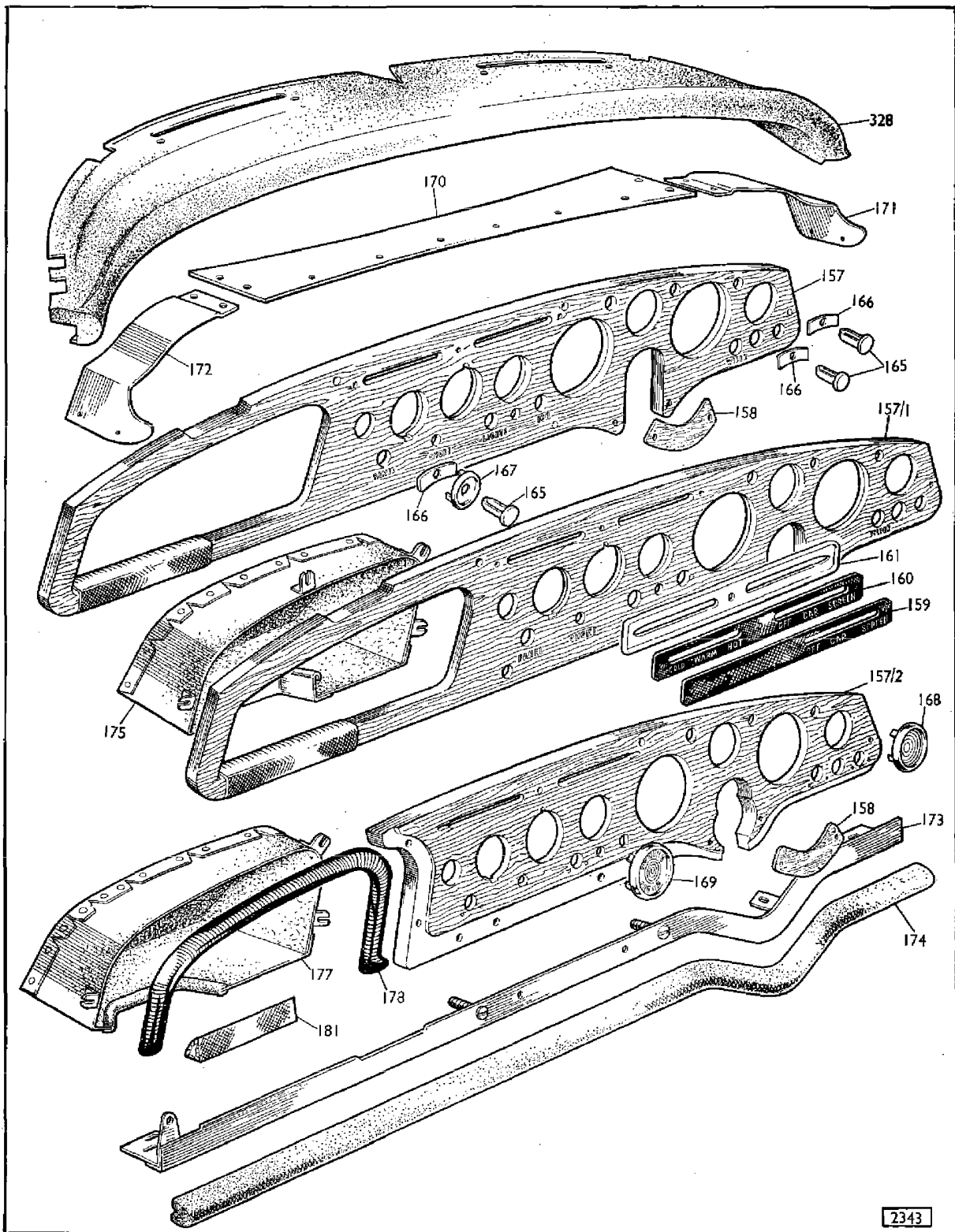
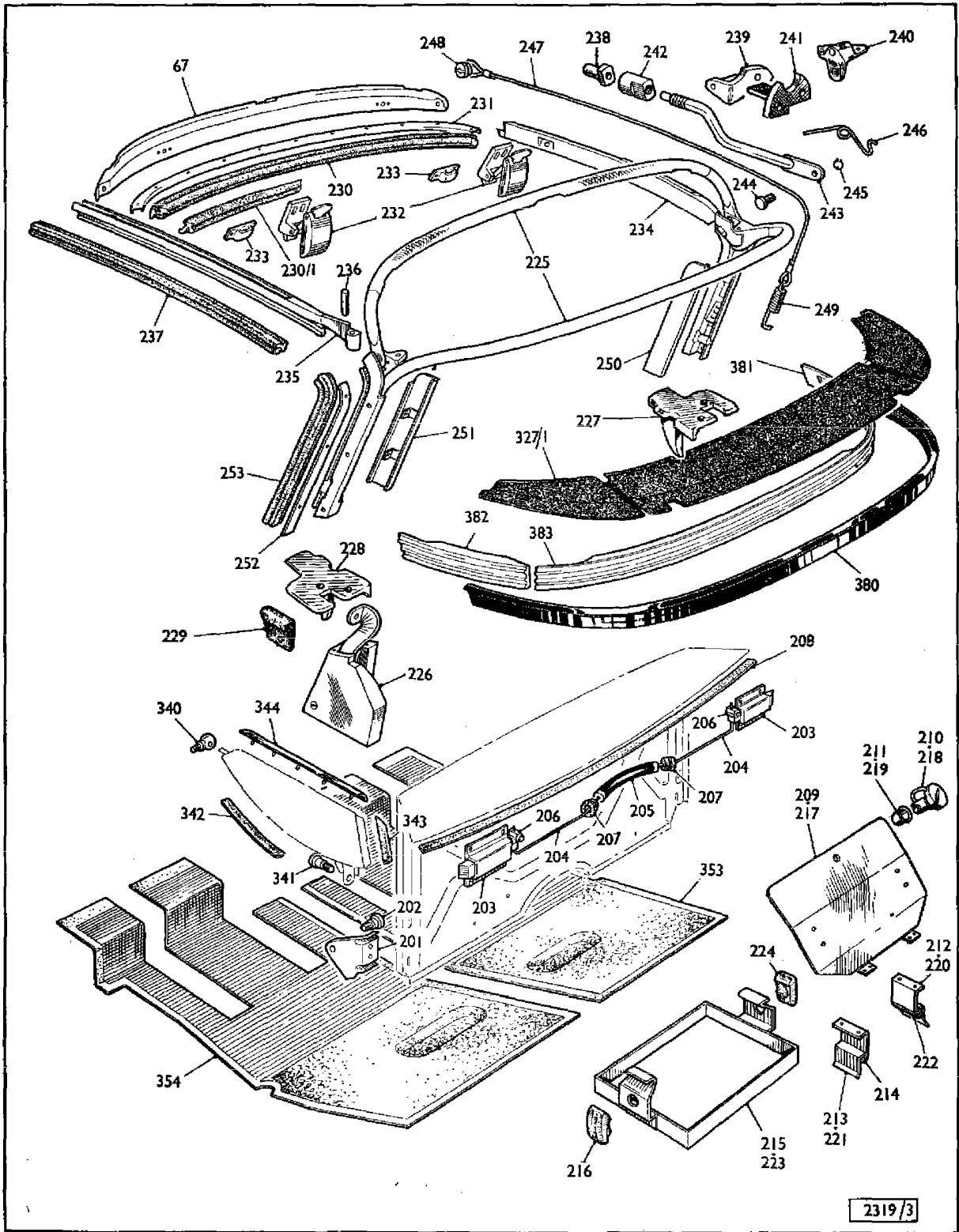


PLATE CA—SECTION YX

Lit. 023

BODY FITTINGS—From Series III



2319/3

PLATE D—SECTION YX

Lit. 023

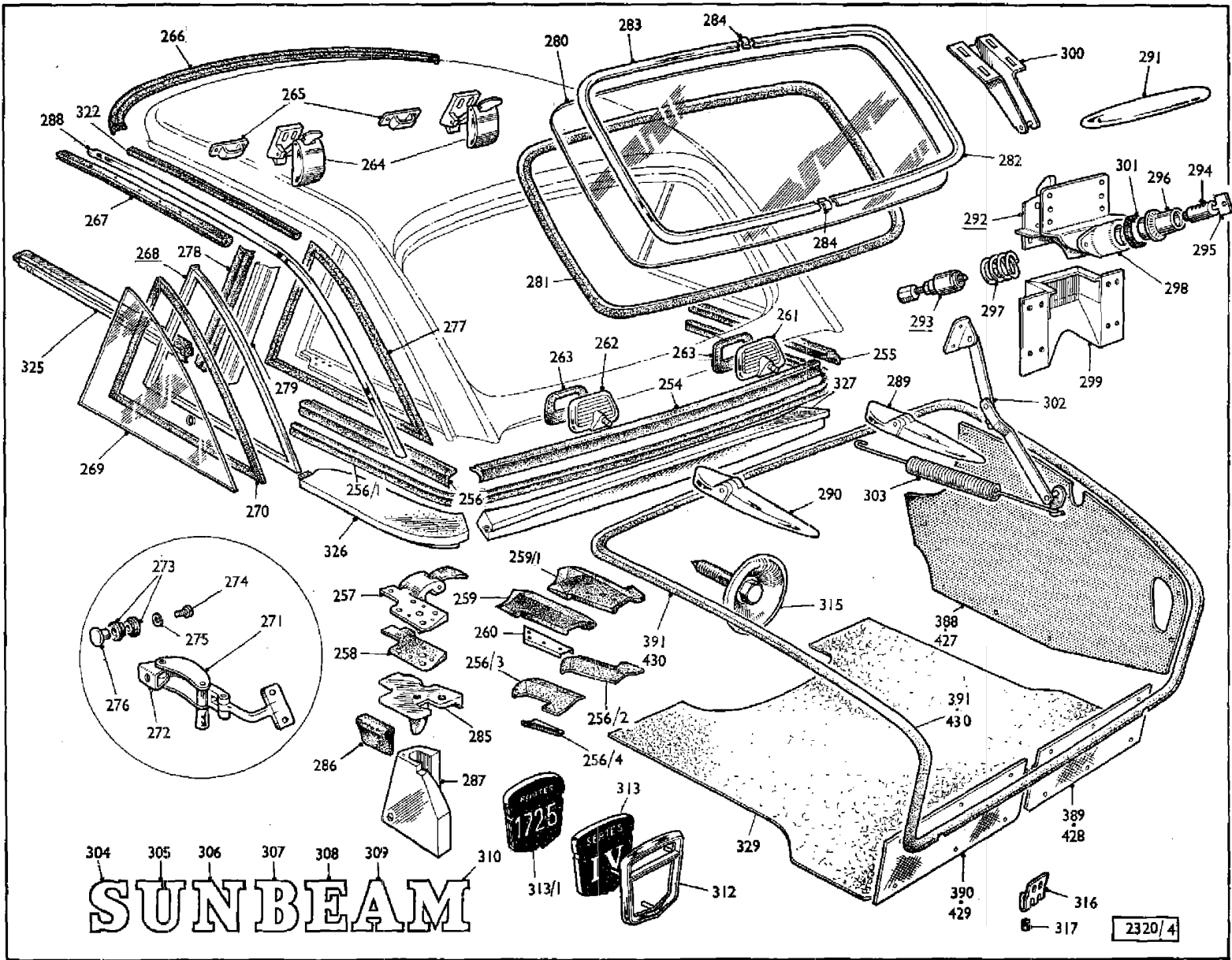


PLATE E — SECTION YX

Lit. 023

BODY FITTINGS — From Series III

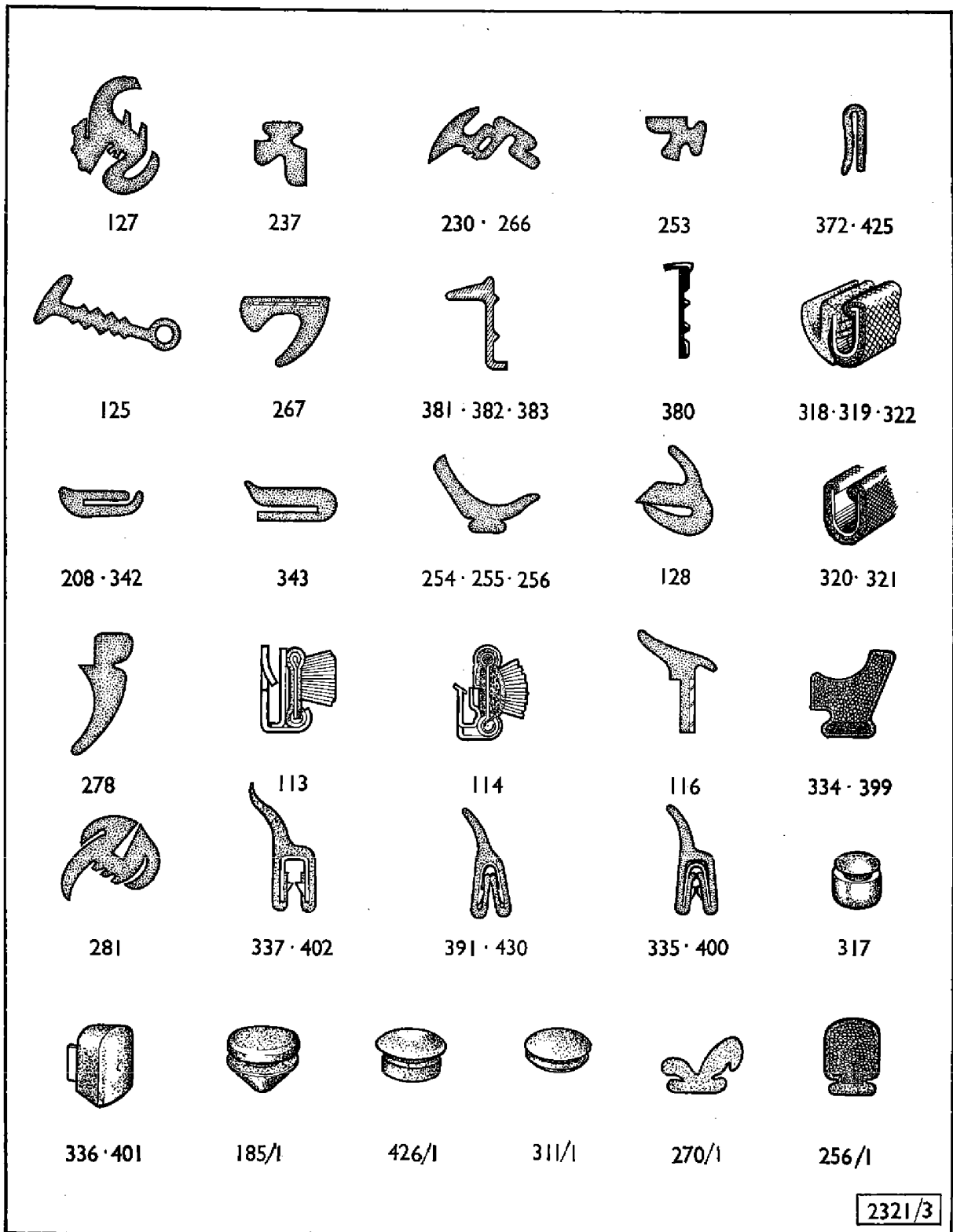
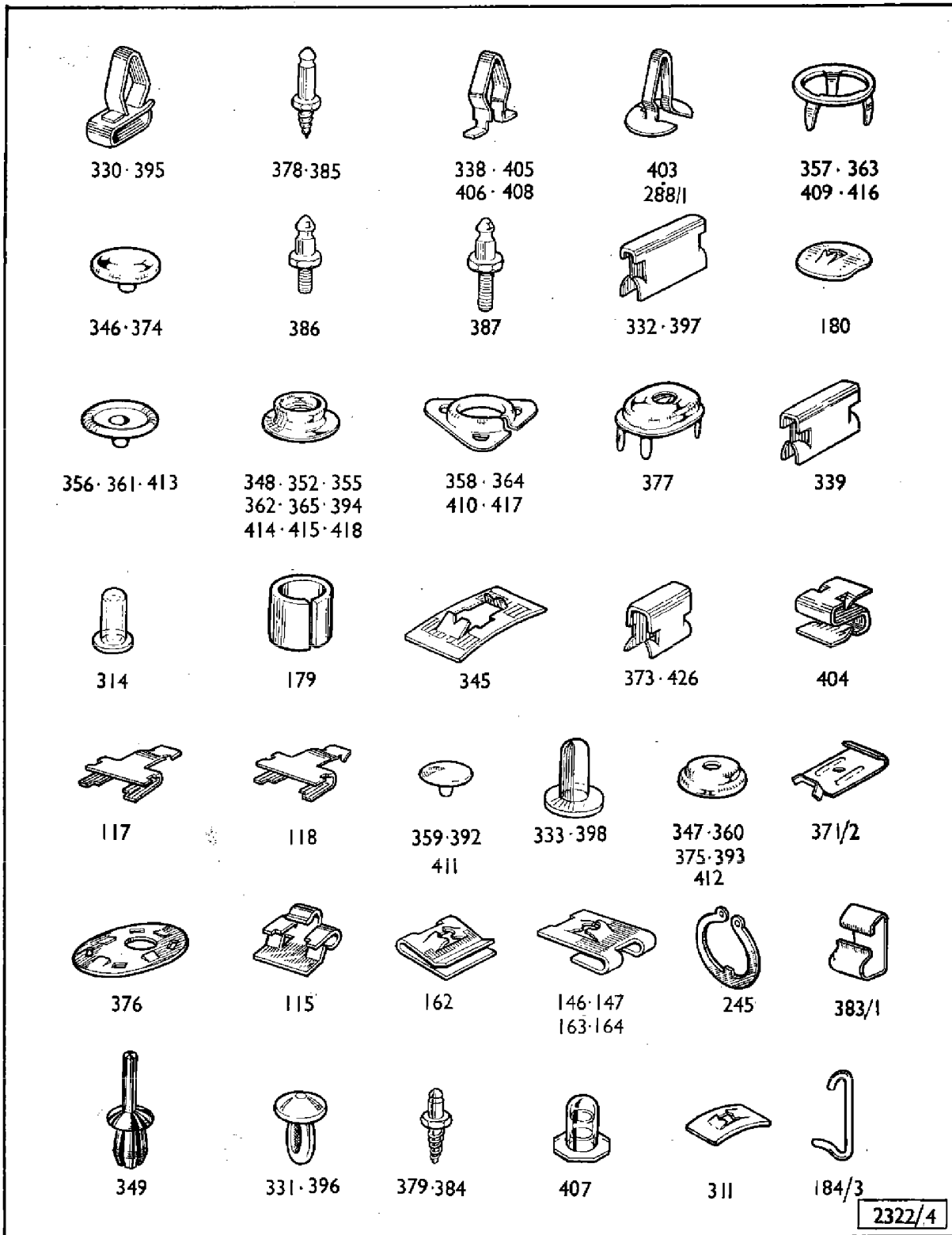


PLATE F — SECTION YX

Lit. 023

BODY FITTINGS — From Series III



2322/4

PLATE G — SECTION YX

Lit. 023

BODY FITTINGS — From Series III

Plate Ref.	Part Number	DESCRIPTION	No. per Veh.	REMARKS
	2226200	BODY SHELL } (No longer available)	1	Standard } Series III "G.T." }
	2224720		BODY SHELL	
	5240489 s/d by 2239543	BODY SHELL } Standard	1	Standard } Series IV "G.T." } Standard } "G.T." } Standard } From "G.T." } Series V
	5240590 s/d by 2239544	BODY SHELL } Transmission	1	
	5240591	BODY SHELL } Automatic	1	
	5240592	BODY SHELL } Transmission	1	
	2237754 s/d by 2239543	BODY SHELL	1	
	2237755 s/d by 2239544	BODY SHELL	1	
		UNDERFRAME SECTION		
A1	2218784	*Front side member, O/S (R.H.)	1	} Standard Transmission
A2	2218785	*Front side member, N/S (L.H.)	1	
		*Note. Remove Rear Engine Mounting Brackets before using on cars with automatic transmission.		
A3	H.117952	Reinforcement plate, O/S (R.H.) } Front	1	} Automatic Transmission
A4	H.117953	Reinforcement plate, N/S (L.H.) } sidemember	1	
A5	2226614	Support bracket, O/S (R.H.) } Rear engine	1	
A6	2226615	Support bracket, N/S (L.H.) } crossmembers	1	
A7	2218240	Stay, O/S (R.H.) }	1	} Up to B94100000 BU and B94600000 CKD.
A8	H.109223	Stay, N/S (L.H.) } Sidemember to wheelarch	1	
	2232446	Stay, O/S (R.H.) }	1	} From B94100001 BU and B94600001 CKD.
	2231459	Stay, N/S (L.H.) }	1	
A9	2225854	Front wheelarch, O/S (R.H.)	1	} Series III From Series IV Not supplied Up to intro. 2236006 From Series V } Series III and IV } Series V
A10	2226283	Support bracket—Brake servo (O/S wheelarch)	1	
A11	2217163 s/d by 2236031	Front wheelarch, N/S (L.H.)	1	
A12	2217028 s/d by 2228959	Voltage control bracket (N/S wheelarch)	1	
A13	2228959	Voltage control bracket (N/S wheelarch)	1	
A14	H.112770 s/d by 2226542	Inner sill panel, O/S (R.H.)	1	
A15	H.112771 s/d by 2226543	Inner sill panel, N/S (L.H.)	1	
A16		Cross brace		
A17	2218290	Rear sidemember, O/S (R.H.)	1	
A18	2218291	Rear sidemember, N/S (L.H.)	1	
A19	2202405 s/d by 2245593	Battery box	1	
	2236006	Battery box	1	
A20	2225188	Rear wheelarch, O/S (R.H.) }	1	
A21	2225189	Rear wheelarch, N/S (L.H.) } Inner	1	
	2237056	Rear wheelarch, O/S (R.H.) }	1	
	2237057	Rear wheelarch, N/S (L.H.) }	1	
A22	2122320	Rear wheelarch, O/S (R.H.) } Outer	1	
A23	2122321	Rear wheelarch, N/S (L.H.) }	1	
A24	2225190	Luggage floor c/w spare wheel tray	1	
A25	2218076	Side support, O/S (R.H.) } Luggage	1	
A26	2218077	Side support, N/S (L.H.) } floor	1	
A27	2218108	Closing panel, O/S (R.H.) } Luggage floor	1	
A28	2218109	Closing panel, N/S (L.H.) } to wing (fender)	1	
A29	2218244	Support—Trunk opening to luggage floor	1	
		BODY SHELL SECTION		
	2218387 s/d by 2235402	Front apron	1	Up to intro. 2235402 From Series V
A30	2235402	Front apron	1	
A31	2225853	Radiator support panel	1	Up to intro. 2235003 From * See note page YX3
A32	2218430 s/d by 2239548	Bonnet surround } Front	1	
A32/1	2235003 s/d by 2239548	Bonnet surround } (See Data 2G/295)	1	

BODY FITTINGS — From Series III

Plate Ref.	Part Number	DESCRIPTION	No. per Veh.	REMARKS
		BODY SHELL—continued		
		BODY SHELL SECTION—continued		
A33	2218456	Bonnet surround—Front inner	1	
A34	2225186	Valance panel, O/S (R.H.)	1	
	2225187	Valance panel, N/S (L.H.)	1	
A35	2225852	Bonnet panel (Less stay retainer bracket)	1	Up to intro. 2235014
	2235014	Bonnet panel (Less stay retainer bracket)	1	From * See note page YX3
A36	2217047	Retainer bracket—Bonnet stay	1	
A37	2225856 s/d by 2239520	Front wing panel, O/S (R.H.)	1	} Up to intro. 2237776/7
	2225857 s/d by 2239521	Front wing panel, N/S (L.H.)	1	
	2235004	Front wing, O/S (R.H.) } Inner	1	} Up to intro. 2237776/7
	2235005	Front wing, N/S (L.H.) } panel	1	
A37/1	2239520	Front wing, O/S (R.H.) } Inner and	1	} From *See note page YX3
	2239521	Front wing, N/S (L.H.) } outer panel	1	
	2237776	Front wing, O/S (R.H.)	1	
A37/2	2237777	Front wing, N/S (L.H.)	1	
A38	2217143	Attachment plate—Headlamp	2	
	2218278	"A" post panel, O/S (R.H.)	1	
A39	2218279	"A" post panel, N/S (L.H.)	1	
	2218044	Outer panel, O/S (R.H.) } "A" post	1	
A40	2218045	Outer panel, N/S (L.H.) }	1	
A41	2225191	Scuttle panel	1	Up to intro. 2235002
A41/1	2235002	Scuttle panel	1	From * See note page YX3 up to Series V Series V
	2235725	Scuttle panel	1	
	2225850	Inner closing panel, O/S (R.H.) } Bulkhead and	1	
A42	2225851	Inner closing panel, N/S (L.H.) } scuttle side	1	
A43	2218138	Closing panel, O/S (R.H.) } Bulkhead	1	
	2218139	Closing panel, N/S (L.H.) } crossmember	1	
	2224704	†Door shell, O/S (R.H.)	1	} Up to intro. 2237772/3
A44	2224705	†Door shell, N/S (L.H.)	1	
	2235740 s/d by 2237772	†Door shell, O/S (R.H.)	1	} From * See note page YX3 up to Series V
	2235741 s/d by 2237773	†Door shell, N/S (L.H.)	1	
	2237772	†Door shell, O/S (R.H.)	1	} From B395000001 BU and B395900001 CKD.
	2237773	†Door shell, N/S (L.H.)	1	
		†Note. When using these door shells as replacements on cars other than G.T. it will be necessary to remove the trim pad brackets from the inner panel.		
	2217166	Sill panel, O/S (R.H.) } Intermediate	1	
A45	2217167	Sill panel, N/S (L.H.) }	1	
A46	2218048 s/d by 2232382	Mounting panel, O/S (R.H.)	1	} Up to intro. 2232382/3
	2218049 s/d by 2232383	Mounting panel, N/S (L.H.)	1	
	2232382	Mounting panel, O/S (R.H.) } Handbrake	1	} From B9407433 LHD and B94100398 RHD Standard, B94100378 "G.T."
	2232383	Mounting panel, N/S (L.H.) }	1	
	2218210 s/d by 2218092	Sill panel, O/S (R.H.) } Top	1	
A47	2218211 s/d by 2218093	Sill panel, N/S (L.H.) }	1	

BODY FITTINGS — From Series III

Plate Ref.	Part Number	DESCRIPTION	No. per Veh.	REMARKS
		BODY SHELL—continued		
		BODY SHELL SECTION—continued		
A48	2218102	Sill panel, O/S (R.H.)	1	} Up to intro. 2234822/3
	2218103	Sill panel, N/S (L.H.)	1	
		} Outer		
	2234822	Sill panel, O/S (R.H.)	1	} From *See note page YX3
	2234823	Sill panel, N/S (L.H.)	1	
	2218058	Centre pillar, O/S (R.H.)	1	
A49	2218059	Centre pillar, N/S (L.H.)	1	
	2225184	Rear wing (fender), O/S (R.H.)	1	} Series III
A50	2225185	Rear wing (fender), N/S (L.H.)	1	
	2228922	s/d by 2239502		
A51	2228923	s/d by 2239503		} (See Data 2G/294) ... } From Series IV up to intro. 2239502/3
	2239502	Rear wing (fender), O/S (R.H.)	1	} From B395000691 Std. B395000713 "G.T." B382000840 "260"
	2239503	Rear wing (fender), N/S (L.H.)	1	
A52	2201328	Mounting bracket, O/S (R.H.)	1	} Trunk lid stay to } rear wing (fender)
	2201329	Mounting bracket, N/S (L.H.)	1	
A53	2218410	Upper fixing strap	1	} Tail lamp to
A54	2207841	Lower fixing strap	1	
				} Series III
A55	2218190	Quarter panel, O/S (R.H.)	1	} Up to intro. } 2237058/9
	2218191	Quarter panel, N/S (L.H.)	1	
		} Inner		
	2237058	Quarter panel, O/S (R.H.)	1	} From } Series V
	2237059	Quarter panel, N/S (L.H.)	1	
A56	2224706	Tonneau deck panel	1	
A57	2200955	Reinforcement—Tonneau panel	1	
	2218307	Rear lower panel	1	Series III
	2226272	s/d by 2235034		Series IV up to intro. 2235034
A58	2235034	Rear lower panel	1	From B395000691 Std. B39000713 "G.T." B382000840 "260"
	9119010	Grommet—Plugging rear lower panel	2	(NAS and Germany)
A59	2218220	Rear support, O/S (R.H.)	1	} Petrol
	2218221	Rear support, N/S (L.H.)	1	
	39314080	Screw, 1/2" UNF. x 1/2"	1	} tank
	19504051	Screw, 1/2" UNF. x 3/8"	4	
	9067018	Washer, 1/2" plain	6	} Rear support
	9664163	Washer, 1/2" shakeproof	6	
	2218446	Mounting bracket, O/S (R.H.)	1	} to body
A60	2218447	Mounting bracket, N/S (L.H.)	1	
		*Note. Fitted on Chassis Nos. B94103022, B94103043, B94103044- B94103049, B94103063, B94103073, and B94103074 onwards, except B94103138, B94103146, B94103167, B94103191.		Standard
		Fitted on Chassis Nos. B94103065 onwards, except B94103067- B94103069, B94103075, B94103078, B94103084, B94103906, B94103108, B94103125, B94103127, B94103178, B94103187, B94103197, B94103201.		"G.T."
		Fitted on Chassis Nos. B9473254 onwards except B9473268 B9473271-B9473273, B9473276-B9473279, B9473289-B9473291, and B9473384.		Sunbeam "260"

BODY FITTINGS — From Series III

Plate Ref.	Part Number	DESCRIPTION	No. per Veh.	REMARKS
		FRONT SEAT FITTINGS—continued		
	19104142	Bolt, 1/4" UNF. x 1 1/2" hex. hd. ...	4	
	9067098	Washer, 1/4" plain ... } Slide to seat frame	8	
	9571044	Nut, 1/4" nyloc ...	4	
	19504052	Screw, 1/4" UNF. x 3/8" hex. hd. ...	8	
	9067098	Washer, 1/4" plain ... } Slide to floor	8	
	9661163	Washer, 1/4" spring ...	8	
		REAR SEAT AND BATTERY FITTINGS (Standard cars only).		
		Rear seat back panel ...		See Body Panels
D201	2218380	Hinge, O/S (R.H.) } Back	1	Up to Series V
	2218381	Hinge, N/S (L.H.) } panel	1	
	19803032	Screw, No. 10 UNF. x 3/8"	4	
	9067095	Washer, 3/16" plain ... } Hinge to back panel	4	
	9660123	Washer, 3/16" spring ...	4	
D202	2220769	Pivot bolt ...	2	
	9067128	Washer, 3/16" plain } Hinge	2	
D203	H.117729	Lock—Seat back panel ...	2	
	39333061	Screw, No. 10 x 3/8"	8	
	9067095	Washer, 3/16" plain } Lock to back panel	12	
	9660123	Washer, 3/16" spring	8	
D204	2220768	Cable—Lock ...	1	
D205	2218495	s/d by 2226232 Handgrip ...	1	
	2226232	Handgrip } Cable	1	
D206	2220825	Nipple—Cable to lock ...	2	
D207	2218471	Grommet—Cable to back panel ...	2	
DF208	2220889	Buffer—Seat back panel ...	1	
		BATTERY BOX—See Body Panels		
D209	2222334	Lid—Battery box ...	1	38 amp/hour batteries
D210	9127004	Fastener—Lid ...	1	
D211	9127054	GROMMET—Fastener ...	1	
D212	2224920	Support bracket, O/S (R.H.) ...	1	
D213	2224921	Support bracket, N/S (L.H.) } Battery	1	
D214	2211966	Buffer ...	2	
	39313061	Screw, No. 10 UNF. x 3/8" P.H. ...	4	
	9067094	Washer, 3/16" plain ... } Support bracket	4	
	9661123	Washer, 3/16" spring ... } to lid	4	
	9510031	Nut, No. 10 UNF. ...	4	
	9119010	Grommet—Blanking support bracket holes ...	4	57 amp/hour batteries
D215	1201658	CRADLE—Battery ...	1	
D216	1201657	Pad—Cradle to box ...	2	
		REAR SEAT AND BATTERY FITTINGS ("G.T." only)		
		SEAT COVERS ...		See Soft Trim
		WAIST ROLL ...		
		BATTERY BOX ...		
D217	2222334	Lid—Battery box ...	1	See Body Panels
D218	9127004	Fastener—Lid ...	1	
D219	9127054	GROMMET—Fastener ...	1	

BODY FITTINGS — From Series III

Plate Ref.	Part Number	DESCRIPTION	No. per Veh.	REMARKS
		DOOR FITTINGS—continued		
	39313081	Screw, No. 10 UNF. × ½" ...	12	
	9067011	Washer, ⅜" plain ...	8	} Lock and remote control to door
	9663122	Washer, ⅜" shakeproof ...	12	
B77	2206242 s/d by 5240258	Door striker, O/S (R.H.) ...	1	
	2206243 s/d by 5240259	Door striker, N/S (L.H.) ...	1	
B78	H.107821	Back plate—Striker ...	2	
	39214202	Screw, ¼" UNF. × 1¼" ...	4	} Striker to centre pillar
	9666163	Washer, ¼" shakeproof ...	4	
B79	2217654 s/d by 5240258	Dovetail, O/S (R.H.) ...	1	} Door striker
	2217655 s/d by 5240259	Dovetail, N/S (L.H.) ...	1	
	39213082	Screw, No. 10 UNF. × ½" csk. hd. ...	4	} Dovetail to door
	39213162	Screw, No. 10 UNF. × 1" csk. hd. ...	2	
B80	2222976	Escutcheon, O/S (R.H.) ...	1	} Door striker
	2222977	Escutcheon, N/S (L.H.) ...	1	
B81	2201344	OUTSIDE HANDLE, O/S (R.H.) ...	1	} "G.T." only
	2201345	OUTSIDE HANDLE, N/S (L.H.) ...	1	
B82	5240414	Cylinder lock ...	2	} S.T. 801-910
B83	5240415	Key ...	4	
	5240381	Cylinder lock ...	2	} R.M. and R.L. Series 801-815
	5220397 s/d by 5220977	Key ...	4	
B84	5031048	Push button ...	2	} 831-845, 861-875, 906-912
B85	H.108588	Spring—Push button ...	2	
B86	2201350 s/d by 9003179	Contact screw ...	2	} See Data 2G/297
B87	9510031	Nut, No. 10 UNF. ...	2	
B88	H.107735	Centralising spring ...	2	
B89	5240274	Weathershield, O/S (R.H.) ...	1	
	5240275	Weathershield, N/S (L.H.) ...	1	
B90	H.108682	Spring, O/S (R.H.) ...	1	} Weathershield
	H.108683	Spring, N/S (L.H.) ...	1	
B91	H.107726	Seating washer—Front ...	2	
B92	H.107727	Seating washer—Rear ...	2	
	39313061	Screw, No. 10 U.N.F. × ⅜" ...	2	} Handle to door
	9663122	Washer, ⅜" shakeproof ...	4	
	5220700	Nut, No. 10 UNF. ...	2	
B93	2201734	INSIDE HANDLE ...	2	
B94	H.109020	Base ...	2	
B95	2220885	Crown ...	2	} Inside handle escutcheon
B96	H.109924 s/d by 5038743	Spring ...	2	
B97	H.108236	Cross pin ...	2	} Inside handle to door
B98	9122188	Rubber pad ...	2	
B98/1	H.116087	Rubber pad—Remote control spindle ...	4	
B99	2207754	Connecting link, O/S (R.H.) ...	1	
	2207755	Connecting link, N/S (L.H.) ...	1	
B100	H.118625	DOOR PULL HANDLE ...	2	
	39413142	Screw, No. 10 × ½"—Handle to door ...	4	
		FIXED LIGHT COMPLETE ...		} Not supplied
B101	2225152 s/d by 2230798	Glass ...	2	
	2230798	Glass ...	2	} Italy
B102	5240529 s/d by 5240710	Glazing rubber ...	A/R	
B103	2227512	Frame, O/S (R.H.) ...	1	} Glass
	2227513	Frame, N/S (L.H.) ...	1	

BODY FITTINGS — From Series III

Plate Ref.	Part Number	DESCRIPTION	No. per Veh.	REMARKS
		DOOR FITTINGS—continued		
		FIXED LIGHT—continued		
B104	2217195 s/d by 2230808	Glass run channel	2	Up to B9405780 Std. and B9405811 G.T. From B9405781 Std. and B9405812 G.T.
	2230808	Glass run channel } Dropping glass	2	
	5240492	Felt—Glass channel	A/R	
B105	2217192	Finisher, O/S (R.H.)	1	Standard
	2217193	Finisher, N/S (L.H.)	1	
B106	2217196	Finisher, O/S (R.H.)	1	"G.T."
	2217197	Finisher, N/S (L.H.)	1	
		Bracket—Finisher		Not supplied
	39711042	Screw, No. 6 UNC. × 1/4" csk. hd.—Bracket to finisher	4	
	39711062	Screw, No. 6 UNC. × 3/8" csk. hd.—Bracket to frame	4	
	39233082	Screw, No. 10 UNF. × 1/2" oval hd.	2	Standard only
	39233162	Screw, No. 10 UNF. × 1" oval hd.	2	"G.T." only
	39333082	Screw, No. 10 UNF. × 3/8" P.H.	2	Fixed light to door
	39731141	Screw, No. 6 UNC. × 7/8" oval hd.	2	
	9661123	Washer, 3/8" shakeproof	2	
	2228938	Distance piece	2	"G.T." only
B107	2218429 s/d by 2230799	LIFTING GLASS	2	Up to intro. 2235707 From B395000001 BU and B395900001 CKD
	2230799	LIFTING GLASS	2	
	2235707	LIFTING GLASS	2	
B108	5240377	Glazing rubber	A/R	
B109	2218432	Glass channel and camplate, O/S (R.H.)	1	Up to intro. 2235714/5
	2218433	Glass channel and camplate, N/S (L.H.)	1	
	2235714	Glass channel and camplate, O/S (R.H.)	1	From B395000001 BU and B395900001 CKD
	2235715	Glass channel and camplate, N/S (L.H.)	1	
B110	2218484	Glass channel, O/S (R.H.)	1	Up to B9405780 Std. B9405811 "G.T."
	2218485 s/d by 2230801	Glass channel, N/S (L.H.)	1	
	2230800	Glass channel, O/S (R.H.)	1	Front
	2230801	Glass channel, N/S (L.H.)	1	
B111	2218454	Glass channel, O/S (R.H.)	1	From B9405781 Std. B9405812 "G.T."
	2218455	Glass channel, N/S (L.H.)	1	
	5240492	Felt—Glass channel	A/R	
	19803032	Screw, No. 10 UNF. × 3/8" hex. hd.	6	Front and rear glass channels to door
	39333062	Screw, No. 10 UNF. × 3/8" P.H.	6	
	9663123	Washer, 3/8" shakeproof	12	
	9067095	Washer, 3/8" plain	12	
B112	2218488	Window regulator, O/S (R.H.)	1	Up to intro. 2235704/5
	2218489	Window regulator, N/S (L.H.)	1	
	2235704	Window regulator, O/S (R.H.)	1	From B395000001 BU and B395900001 CKD
	2235705	Window regulator, N/S (L.H.)	1	
	39314081	Screw, 1/4" UNF. × 1/2"	12	
	9067014	Washer, 1/4" plain	8	
	9664162	Washer, 1/4" shakeproof	8	Regulator to door
	39314051	Screw, 1/4" UNF. × 3/8"	4	
	9663163	Washer, 1/4" shakeproof	8	

BODY FITTINGS — From Series III

Plate Ref.	Part Number	DESCRIPTION	No. per Veh.	REMARKS
		DOOR FITTINGS—continued		
BF113	2207838	Seal } Door waist	2	Standard "G.T."
BF114	2223867	Seal } --Inner	2	
G115	P.43647	s/d by 9178589	Clip—Seal	14
BF116	2220807	Seal, O/S (R.H.) } Door waist	1	
	2220808	Seal, N/S (L.H.) } --Outer	1	
G117	2212159	Clip	14	
G118	2212363	s/d by 2212159	Clip—Rear } Seal	2
	2220891	s/d by 2225150	HANDLE }	2
B119	2225150	HANDLE } Window regulator	2	Up to intro. 2235436
	2235436	HANDLE }	2	From B395000001 BU and B395900001 CKD
B120	H.109020	Base	2	
B121	2220885	Crown } Regulator handle escutcheon	2	
B122	H.109924	s/d by 5038743	Spring	2
B123	2226248	Cross pin } Handle	2	
B124	9122188	Rubber pad } to door	2	
		WAIST ROLL		See Soft Trim
		WINDSCREEN (Windshield)		
BF125	2218431	s/d by 2226219	Windscreen aperture panel	See Body panels Series III Series IV From Series V
	2226219	Weatherstrip	1	
	2233614	Weatherstrip	1	
	9067113	Washer, 1/8" plain	3	
	9661163	Washer, 1/8" spring	3	
	9510041	Nut, 1/8" UNF.	3	
	9067101	Washer, 5/16" plain	4	
	9661203	Washer, 5/16" spring	4	
	9510051	Nut, 5/16" UNF.	4	
	2220833	s/d by 2237778	Glass—R.H.D. } Zone toughened	
	2220827	s/d by 2237778	Glass—L.H.D. }	
	2237778	Glass	1	
B126	2218423	s/d by 2226203	Glass }	
	2226203	Glass } Laminated	1	
	2235717	Glass }	1	
BF127	2218425	Weatherstrip—Glass to frame	1	Up to intro. 2235598/9
BF128	2220886	s/d by 2235598	Weatherstrip, O/S (R.H.)	
	2220887	s/d by 2235599	Weatherstrip, N/S (L.H.)	1
	2235598	Weatherstrip, O/S (R.H.) } Windscreen panel—Side	1	From B94100001 BU and B94600001 CKD
	2235599	Weatherstrip, N/S (L.H.) }	1	
B129	2218426	Drip moulding, O/S (R.H.)	1	
	2218427	Drip moulding, N/S (L.H.)	1	
	9732063	Screw, No. 6 x 3/8"—Weatherstrip and drip moulding to frame	6	
B130	2218418	Moulding—Upper	1	
B131	2218419	Moulding—Lower	1	
B132	2218420	Moulding, O/S (R.H.)	1	
B133	2218421	Moulding, N/S (L.H.)	1	

BODY FITTINGS — From Series III

Plate Ref.	Part Number	DESCRIPTION	No. per Veh.	REMARKS
B134	2217072 s/d by 2227556	WINDSCREEN (Windshield)—continued		
	2227556	INTERIOR DRIVING MIRROR	1	Series III
		INTERIOR DRIVING MIRROR	1	Series IV up to intro. 2237684
B134/1	2235188 s/d by 2237684	INTERIOR DRIVING MIRROR	1	From B94103625 "G.T." B94103247 Std. B9474200 "260"
B134/2	2239757	Buffer—Interior mirror	1	
	39213142	Screw, No. 10 × 3/8"—Mirror to header	2	
	2223764 s/d by 2235235	SUN VISOR (VT1233 Design)	2	} Hardtop up to intro. 2244430/1
B135	2235235	SUN VISOR (See Data 2G/288)	2	
	2225773	SUN VISOR (Vynair Design)—(No longer available) } Alternatives	2	
	2244430	SUN VISOR—O/S (R.H.)	1	} From B395013294 G.T. B395011028 Std. and B382002524 Tiger
	2244431	SUN VISOR—N/S (L.H.)	1	
B136	2223762	Hinge bracket, O/S (R.H.) } Sun visor—	1	
B137	2223763	Hinge bracket, N/S (L.H.) } Outer	1	
	9763068	Screw, No. 8 × 3/8"—Hinge bracket to header	4	
B138	2223759	Hinge bracket—Sun visor—Centre	1	
	H.117201 s/d by 2117201	LICENCE HOLDER	1	
WINDSCREEN WASHER				
	1202164	CONTAINER }	1	Series III and IV Series V U.S.A. & Canada only from B395010976 Alpine V and Tiger II Not supplied Series V
	1228908	CONTAINER } Screen washer	1	
	1239230	CONTAINER }	1	
	1228910	Bracket } Container	1	} Series III and IV
	19052045	Screw, 2 B.A. × 1/8" } Container bracket	2	
	9660121	Washer, 3/8" spring } to	2	
	9600521	Nut, 2 B.A. } mounting bracket	2	
	39313081	Mounting bracket—Container bracket		} Not supplied Series III and IV
	9774066	Screw, No. 10 × 1/8"—Bracket to body	2	
	9068009	Tapping screw, No. 10 × 3/8" } Container	2	} Series V
	9663123	Washer, No. 10 } bracket	2	
	1217820 s/d by 1228662	Washer, No. 10 shakeproof } to body	2	
	1223580 s/d by 1228662	Control	1	} Up to intro. 1229401
	1228662	Control	1	
	1229401	Control	1	
	1229400	Control	1	
	1229399	Sleeve (Outer) } Control } Screenwasher	1	} From B94100001 BU and B94600001 CKD.
	1229398	Sleeve (Inner) }	1	
	2201504	Knob	1	
	2201899	Jet	2	
	1800394 s/d by 1800656	Escutcheon—Jet	2	
	P.43555	"T" piece	1	
	9116104	Hose	A/R	
		Grommet—Hose	1	

BODY FITTINGS — From Series III

Plate Ref.	Part Number	DESCRIPTION	No. per Veh.	REMARKS
FACIA FITTINGS				
C139	2212552	INSTRUMENT PANEL—R.H.D. ...	1	} Series III
	2212553	INSTRUMENT PANEL—L.H.D. ...	1	
C140	2217131	Finisher—Instrument panel ...	1	
C141	2227790	INSTRUMENT PANEL—R.H.D. ...	1	
	2227791	INSTRUMENT PANEL—L.H.D. ...	1	
C142	2227792	Finisher—Instrument panel ...	1	
	9067008	Washer, $\frac{3}{8}$ " plain ...	2	
	9663122	Washer, $\frac{3}{8}$ " shakeproof ...	2	
	5220700	Nut, No. 10 UNF. ...	2	
		Finisher to instrument panel		
C143	2217129	Escutcheon—Ventilator control ...	1	} Series III
	49252063	Screw, No. 8 \times $\frac{3}{8}$ "—Escutcheon to instrument panel ...	3	
C144	2227692	Escutcheon—Ventilator control ...	1	} From Series IV
C145	2223122	Bezel—Finisher ...	1	
	9660122	Washer, $\frac{3}{8}$ " spring } Bezel to ...	3	
	5220700	Nut, No. 10 UNF. } instrument panel ...	3	
	9050178	Screw, $\frac{1}{4}$ " UNF. \times $1\frac{1}{4}$ " ...	3	} Up to B9201728
	9664162	Washer, $\frac{1}{4}$ " shakeproof ...	1	
	9122028	Washer, rubber ...	3	
	9510040	Nut, $\frac{1}{4}$ " UNF. ...	1	
		Instrument panel to body		} Standard
	9056044	Screw, No. 14 \times $1\frac{1}{4}$ " ...	3	
G146	9020024	Spirenut ...	2	} From B9201729
	9122028	Washer—Rubber ...	3	
G147	9020004	Spirenut ...	1	
C148	2217134	s/d by 9101045 Plug button—Overdrive warning light ...	1	
C149	2217135	s/d by 9101031 Plug button—Fog lamp switch ...	1	
C150	2217136	s/d by 9101048 Plug button—Cigar lighter ...	1	
C151	1201524	Escutcheon—Panel light switch ...	1	} Series III
C152	1201525	Escutcheon—Lighting switch ...	1	
C153	1201526	Escutcheon—Wiper switch ...	1	
C154	2227794	Escutcheon—Panel light switch ...	1	} From Series IV
C155	2227793	Escutcheon—Lighting switch ...	1	
C156	2231220	Escutcheon—Wiper switch ...	1	
CA157	2222498	s/d by 2233182 INSTRUMENT PANEL—R.H.D. ...	1	} Up to B9202171
	2222499	s/d by 2231231 INSTRUMENT PANEL—L.H.D. ...	1	
	2227756	s/d by 2233182 INSTRUMENT PANEL—R.H.D. ...	1	
	2227757	s/d by 2231231 INSTRUMENT PANEL—L.H.D. ...	1	
CA157/1	2231230	s/d by 2233182 INSTRUMENT PANEL—R.H.D. ...	1	} From B9202172 up to B94100351
	2231231	INSTRUMENT PANEL—L.H.D. ...	1	
CA157/2	2232816	INSTRUMENT PANEL—R.H.D. ...	1	} From B94100352
	2232817	INSTRUMENT PANEL—L.H.D. ...	1	
CA158	2223115	s/d by 2227792 Finisher ...	1	} "G.T."
	2227681	s/d by 2227792 Finisher } Instrument panel ...	1	
	2227792	Finisher ...	1	
	9067008	Washer, $\frac{3}{8}$ " plain ...	2	
	9663122	Washer, $\frac{3}{8}$ " shakeproof ...	2	
	5220700	Nut, No. 10 UNF. ...	2	
		Finisher to instrument panel		

BODY FITTINGS — From Series III

Plate Ref.	Part Number	DESCRIPTION	No. per Veh.	REMARKS
		FACIA FITTINGS—continued		
	9101015	Plug button—Overdrive warning light	1	} From B94100352
	2227793	Escutcheon—Lighting switch	1	
	2227794	Escutcheon—Panel light switch	1	
	2231220	Escutcheon—Wiper switch	1	
CA159	2227692	Escutcheon (Ventilator only)	1	
CA160	2223121	Escutcheon (Ventilator and Heater	1	
CA161	2223122	Bezel	1	
	9660122	Washer, 3/8" spring } Bezel to	3	
	5220700	Nut, No. 10 UNF. } instrument panel	3	
	9050178	Screw, 1/4" UNF. x 1 1/4"	3	
	39233201	Screw, No. 10 x 1 1/4"	1	
	9664162	Washer, 1/4" shakeproof	1	
	9067010	Washer, 3/8" plain	1	
	9122028	Rubber washer	4	
	9510040	Nut, 1/4" UNF. ... Instrument	1	
	5220700	Nut, No. 10 UNF. ... panel to body	1	
	9056045	Screw, No. 10 x 1 1/4"	1	} From B9201692
G162	9020020	Spirenut	1	
	9056044	Screw, No. 14 x 1 1/4"	3	
G163	9020026	Spirenut	2	
G164	9020024	Spirenut	3	
	9122028	Rubber washer	3	} "G.T."
	H.118680	Special washer—Ignition switch	1	
	2204512	Special washer—Choke control	1	
CA165	P.49275	s/d by 9131039 Plug button } O/D warning light, fog lamp	3	
CA166	P.49277	Spring bow } switch and cigar lighter holes	3	
CA167	2203386	Filler—Cigar lighter plug	1	
CCA168	2201432	Motif—Ammeter aperture	1	
CCA169	1201327	s/d by 2232380 Motif } Clock	1	
	2232380	Motif } aperture	1	
		CRASH PAD		
CCA170	2220820	Finisher—Centre	1	
CCA171	2220818	Finisher, O/S (R.H.)	1	
CCA172	2220819	Finisher, N/S (L.H.)	1	
	9056035	Screw, No. 4 x 3/8" bdg. hd.—End finisher to body	4	
CCA173	2217086	s/d by 2227560 Lower support rail } R.H.D.	1	
CCA174	2201402	Crash pad	1	
	2217087	s/d by 2227561 Lower support rail } L.H.D.	1	
	2201403	Crash pad	1	
	2235728	Lower support rail } R.H.D.	1	
	2201402	Crash pad	1	} From B395000001 BU and B395900001 CKD
	2235729	Lower support rail } L.H.D.	1	
	2201403	Crash pad	1	} From B395000001 BU and B395900001 CKD
	9067017	Washer, 1/4" plain } Support rail to	2	
	9510040	Nut, 1/4" UNF. ... } cubby box and facia	2	
	19504051	Screw, 1/4" UNF. x 3/8" } Support rail	2	
	9067017	Washer, 1/4" plain } to bulkhead	2	
	9664162	Washer, 1/4" shakeproof } support bracket	2	

BODY FITTINGS — From Series III

Plate Ref.	Part Number	DESCRIPTION	No. per Veh.	REMARKS
CCA175	2226426 s/d by 2230236	FACIA FITTINGS—continued		
	2226427	CUBBY BOX—R.H.D.	1	} Series III
	2226427	CUBBY BOX—L.H.D.	1	
C176	2201400 s/d by 2230166	Surround—R.H.D. } Cubby...	1	
	2201401 s/d by 2230167	Surround—L.H.D. } box	1	
	2230164 s/d by 2230236	CUBBY BOX—R.H.D.	1	
	2230165 s/d by 2230237	CUBBY BOX—L.H.D.	1	
CCA177	2230236	CUBBY BOX—R.H.D.	1	} From Series IV
	2230237	CUBBY BOX—L.H.D.	1	
CCA178	2230166	Surround—R.H.D.	1	} From Series IV
	2230167	Surround—L.H.D.	1	
G179	P.43759	Clip—Cubby box and surround to body	2	
G180	9206524	Spirenut—Cubby box to body	3	
CCA181	2217138	GRAB HANDLE	1	Standard
FRONT SEAT FITTINGS				
B182	2225890	CUSHION FRAME, O/S (R.H.)	1	} Series III
	2225891	CUSHION FRAME, N/S (L.H.)	1	
B183	2225892	Support block—Cushion frame to floor	4	
B184	5240596	CUSHION FRAME, O/S (R.H.)	1	} Up to intro. 5240785/6
	5240597	CUSHION FRAME, N/S (L.H.)	1	
B184/1	5240785	CUSHION FRAME, O/S (R.H.)	1	} From B395000001 BU and B395900001 CKD
B184/2	5240786	CUSHION FRAME, N/S (L.H.)	1	
B184/3	5240787	Diaphragm—Cushion	2	
	5240788	Hook—Diaphragm	11	
B185	5240598	Rod—Height adjustment	2	} From Series IV
BF185/1	9119062	Buffer—Height adjustment rod	4	
B186	2225913	SQUAB FRAME	2	} Not supplied
B187	2225900	Pivot screw—Squab frame	4	
B188	2225915	Ratchet plate	2	
B189		Back plate—Ratchet plate		
	2225925	Handle, O/S (R.H.) seat	1	
B190	2225926	Handle, N/S (L.H.) seat	1	
B191	2225902	Knob—Handle	2	
	2225898	Pawl, O/S (R.H.) seat	1	
B192	2225899	Pawl, N/S (L.H.) seat	1	
	5240555	Spring, O/S (R.H.) seat } Pawl	1	
B193	5240556	Spring, N/S (L.H.) seat } Pawl	1	
B194	2225895	Return lever, O/S (R.H.) seat	1	
B195	2225896	Return lever, N/S (L.H.) seat	1	
B196	2225894	Return spring—Return lever	2	
	39004400	Screw, ¼" BSF. × 2¼"—Ratchet, pawl, handle and return lever to frame	4	
	2225920	Cover plate, O/S (R.H.)	2	
B197	2225921	Cover plate, N/S (L.H.)	2	
	9732042	Screw, No. 6 × ¼"—Cover plate to frame	8	
B198	2220786	Seat slide, O/S (R.H.) seat	1	} Series III
	2220787	Seat slide, N/S (L.H.) seat	1	
	2228926	Seat slide, O/S (R.H.) seat	1	} From Series IV
B199	2228927	Seat slide, N/S (L.H.) seat	1	
B200	5240595	Buffer—Seat slide—Rear	4	

BODY FITTINGS — From Series III

Plate Ref.	Part Number	DESCRIPTION	No. per Veh.	REMARKS
		FRONT SEAT FITTINGS—continued		
	19104142	Bolt, 1/4" UNF. x 1 1/2" hex. hd. ...	4	
	9067098	Washer, 1/4" plain ... } Slide to seat frame	8	
	9571044	Nut, 1/4" nyloc ...	4	
	19504052	Screw, 1/4" UNF. x 3/8" hex. hd. ...	8	
	9067098	Washer, 1/4" plain ... } Slide to floor	8	
	9661163	Washer, 1/4" spring ...	8	
		REAR SEAT AND BATTERY FITTINGS (Standard cars only).		
		Rear seat back panel ...		See Body Panels
D201	2218380	Hinge, O/S (R.H.) } Back	1	Up to Series V
	2218381	Hinge, N/S (L.H.) } panel	1	
	19803032	Screw, No. 10 UNF. x 3/8"	4	
	9067095	Washer, 3/16" plain ... } Hinge to back panel	4	
	9660123	Washer, 3/16" spring ...	4	
D202	2220769	Pivot bolt ...	2	
	9067128	Washer, 3/16" plain } Hinge	2	
D203	H.117729	Lock—Seat back panel ...	2	
	39333061	Screw, No. 10 x 3/8"	8	
	9067095	Washer, 3/16" plain } Lock to back panel	12	
	9660123	Washer, 3/16" spring ...	8	
D204	2220768	Cable—Lock ...	1	
D205	2218495	s/d by 2226232 Handgrip ...	1	
	2226232	Handgrip } Cable	1	
D206	2220825	Nipple—Cable to lock ...	2	
D207	2218471	Grommet—Cable to back panel ...	2	
DF208	2220889	Buffer—Seat back panel ...	1	
		BATTERY BOX—See Body Panels		
D209	2222334	Lid—Battery box ...	1	38 amp/hour batteries
D210	9127004	Fastener—Lid ...	1	
D211	9127054	GROMMET—Fastener ...	1	
D212	2224920	Support bracket, O/S (R.H.) ...	1	
D213	2224921	Support bracket, N/S (L.H.) } Battery	1	
D214	2211966	Buffer ...	2	
	39313061	Screw, No. 10 UNF. x 3/8" P.H. ...	4	
	9067094	Washer, 3/16" plain ... } Support bracket	4	
	9661123	Washer, 3/16" spring ... } to lid	4	
	9510031	Nut, No. 10 UNF. ...	4	
	9119010	Grommet—Blanking support bracket holes ...	4	57 amp/hour batteries
D215	1201658	CRADLE—Battery ...	1	
D216	1201657	Pad—Cradle to box ...	2	
		REAR SEAT AND BATTERY FITTINGS ("G.T." only)		
		SEAT COVERS ...		See Soft Trim
		WAIST ROLL ...		
		BATTERY BOX ...		
D217	2222334	Lid—Battery box ...	1	See Body Panels
D218	9127004	Fastener—Lid ...	1	
D219	9127054	GROMMET—Fastener ...	1	

BODY FITTINGS — From Series III

Plate Ref.	Part Number	DESCRIPTION	No. per Veh.	REMARKS
REAR SEAT AND BATTERY FITTINGS—"G.T." only—cont.				
D220	2224920	Support bracket, O/S (R.H.)	1	} 38 amp/hour batteries
D221	2224921	Support bracket, N/S (L.H.)	1	
D222	2211966	Buffer	2	
	39303061	Screw, No. 10 UNF. × 1/4" P.H.	4	
	9067094	Washer, 3/8" plain	4	
	9661123	Washer, 3/8" spring	4	
	9510031	Nut, No. 10 UNF.	4	
	9119010	Grommet—Blanking support bracket holes	4	
D223	1201658	CRADLE—Battery	1	} 57 amp/hour batteries
D224	1201657	Pad—Cradle to box	2	
FOLDING HEAD FITTINGS				
HOOD COVERING COMPLETE				
D225	2217186	HOOD FRAME	1	} See Soft Trim
D226	2220782	Pivot bracket, O/S (R.H.)	1	
	2220783	Pivot bracket, N/S (L.H.)	1	
	39313061	Screw, No. 10 UNF. × 3/8"	8	
	9663123	Washer, 3/8" shakeproof	8	
	19104112	Bolt, 1/4" UNF. × 1 3/8"	2	
	9067112	Washer, 1/4" plain	2	
	9551041	Nut, 1/4" UNF. nyloc	2	
	2220784	Capping, O/S (R.H.)	1	
	2220785	Capping, N/S (L.H.)	1	
D227	2226242	Capping, O/S (R.H.)	1	} Up to intro. } 2235594/5
D228	2226243	Capping, N/S (L.H.)	1	
	2235594	Capping, O/S (R.H.)	1	} From B395004201 Std. } B395004266 G.T. } and B382000379 "260"
	2235595	Capping, N/S (L.H.)	1	
	2226245	Seal—Capping to "B" post top	2	
	39213061	Screw, No. 10 × 3/8"	2	
	39113102	Screw, No. 10 × 5/8"	4	
	39113082	Screw, No. 10 × 1/2"	2	
	2220870	Seal, O/S (R.H.)	1	
D229	2220871	Seal, N/S (L.H.)	1	} Up to intro. } 2235596/7
	2235596	Seal, O/S (R.H.)	1	
	2235597	Seal, N/S (L.H.)	1	} From B395004201 Std. } B395004266 G.T. & } B382000379 "260"
PEAK RAIL				
DF230	2224598	Weatherstrip	1	} See Body Panels } Up to B9405271
DF230/1	2226293	Weatherstrip	1	
D231	2224597	Retainer—Weatherstrip	1	} From B9405272
D232	2220714	Toggle catch—Hood to screen	2	
	39313081	Screw, No. 10 UNF. × 1/2"	4	
	9067094	Washer, 3/8" plain	4	
	9663123	Washer, 3/8" shakeproof	4	
D233	2218428	Striker—Toggle catch	2	
	39213082	Screw, No. 10 UNF. × 1/2"—Striker to screen frame	4	
D234	5240540	Cantrail, O/S (R.H.)	1	} Up to intro. } 5240781/2
D235	5240541	Cantrail, N/S (L.H.)	1	
	5240781	Cantrail, O/S (R.H.)	1	} From * See } Note Page YX21
	5240782	Cantrail, N/S (L.H.)	1	

BODY FITTINGS — From Series III

Plate Ref.	Part Number	DESCRIPTION	No. per Veh.	REMARKS
		FOLDING HEAD FITTINGS—continued		
D236	2224728	Hinge pin—Cantrail to hood frame	2	
	2224918	Weatherstrip, O/S (R.H.)	1	
DF237	2224919	Weatherstrip, N/S (L.H.)	1	
D238	2224578	Spigot—Front	2	
	2224572	Ferrule	2	
D239	2224740	Bracket, O/S (R.H.)	1	
	2224741	Bracket, N/S (L.H.)	1	
	39713062	Screw, No. 10 UNC. × 3/8"	6	
	9666123	Washer, 3/16" shakeproof	6	
D240	2224914	Socket, O/S (R.H.)	1	
	2224915	Socket, N/S (L.H.)	1	
	39213082	Screw, No. 10 UNF. × 1/2"—Socket to screen frame	2	
D241	2224732	Seating block—Cantrail	2	
	39313102	Screw, No. 10 UNF. × 3/8"	4	
	9067094	Washer, 3/8" plain	4	
	9663123	Washer, 3/8" shakeproof	4	
D242	2224560	Locking collar—Hood frame	2	
D243	2224586	Tension rod, O/S (R.H.)	1	
	2224587	Tension rod, N/S (L.H.)	1	
D244	2224731	Pivot pin—Tension rod	2	
DG245	2224730	Retainer—Pivot pin	2	
D246	2224570	Spring, O/S (R.H.)	1	
	2224571	Spring, N/S (L.H.)	1	
D247	2224729	Tension cable—Hood cover	2	
D248	2224735	Collar	2	
	39011062	Screw, 4 BA. × 3/8" rsd. hd.	2	
	9670423	Washer, No. 4 cup	2	
D249	2224721	Retainer spring—Tension cable—Rear	2	
D250	2225176	Cover plate, O/S (R.H.)	1	
D251	2225177	Cover plate, N/S (L.H.)	1	
	2227604	Finisher strip, O/S (R.H.)	1	
D252	2227605	Finisher strip, N/S (L.H.)	1	
	9762085	Screw, No. 6 × 1/2" rsd. hd.	8	
	9670613	Washer, No. 6 cup	8	
	2224916	Weatherstrip, O/S (R.H.)	1	
DF253	2224917	Weatherstrip, N/S (L.H.)	1	
		HARDTOP FITTINGS		
		ROOF PANEL		See Body Panels
EF254	2220766	Sealing rubber—Centre	1	
EF255	2220732	Sealing rubber, O/S (R.H.)	1	
EF256	2220733	Sealing rubber, N/S (L.H.)	1	
EF256/1	2239527	Sealing rubber—Roof panel to body (86")	1	
E256/2	2239534	Seal, O/S (R.H.)	1	
E256/3	2239535	Seal, N/S (L.H.)	1	
	2220720	Toggle clamp, O/S (R.H.)	1	
E257	2220721	Toggle clamp, N/S (L.H.)	1	
	39113041	Screw, No. 10 UNF. × 1/2"	10	
	9050158	Screw, No. 10 × 3/8" csk.	10	
	9666123	Washer, 3/16" shakeproof	10	
	39811041	Screw, No. 6 UNC. × 1/4"	8	
	9663093	Washer, 3/8" shakeproof	8	
		REMARKS		
				Up to intro. hoods c/w velcro strip
				Up to B395008040
				From B395008041
				Up to intro. 9050158 From B395001209 Alpine V and B382001007 "260"

BODY FITTINGS — From Series III

Plate Ref.	Part Number	DESCRIPTION	No. per Veh.	REMARKS
		HARDTOP FITTINGS—continued		
E258	2220722	Seal, O/S (R.H.) } Toggle clamp	1	
	2220723	Seal, N/S (L.H.) } to body	1	
	2220754	s/d by 2233610 } Seal, O/S (R.H.)	1	} Up to B9407019
E259	2220755	s/d by 2233611 } Seal, N/S (L.H.)	1	
	2233610	Seal, O/S (R.H.) } Roof panel (Rear corner) to body	1	} From B9407020 up to B395008040
E259/1	2233611	Seal, N/S (L.H.) }	1	
	2220828	Retainer plate, O/S (R.H.) } Seal to	1	} Up to B395008040
E260	2220829	Retainer plate, N/S (L.H.) } roof panel	1	
	2239536	Retainer plate, O/S (R.H.) } Seal	1	} From B395008041
E256/4	2239537	Retainer plate, N/S (L.H.) }	1	
	9732083	Screw, No. 6 × 1/8" — Retainer plate to roof panel	8	
E261	2220712	Attachment bracket, O/S (R.H.) } Roof panel to	1	
E262	2220713	Attachment bracket, N/S (L.H.) } tonneau panel	1	
	39812062	Screw, No. 8 UNC. × 3/8" }	2	
	9067123	Washer, 3/8" plain	2	
	9663113	Washer, 3/8" shakeproof } Attachment bracket	6	
	39812061	Screw, No. 8 UNC. × 3/8" } to tonneau panel	4	
	9067095	Washer, 3/8" plain	4	
E263	2220727	Seal	2	
E264	2220714	Toggle catch—Roof panel to screen panel	2	
	39313081	Screw, No. 10 UNF. × 1/2" } toggle catch	4	
	9067094	Washer, 3/8" plain } to	4	
	9663123	Washer, 3/8" shakeproof } roof panel	4	
E265	2218428	Striker—Toggle catch... ..	2	
	39213082	Screw, No. 10 UNF. × 1/2" — Striker to screen panel	4	
EF266	2224598	Weatherstrip—Roof panel to screen panel	1	
	2220728	Seal, O/S (R.H.) } Cantrail	1	
EF267	2220729	Seal, N/S (L.H.) }	1	
	9732063	Tapping screw, No. 6 × 3/8" P.H.—Cantrail seal	10	
	2220718	QUARTERLIGHT COMPLETE, O/S (R.H.)	1	
E268	2220719	QUARTERLIGHT COMPLETE, N/S (L.H.)	1	
E269	2225673	Light (Perspex)	2	
E270	H.63579	Glazing rubber (50" long)	A/R	
	5240536	Toggle catch, O/S (R.H.) } Quarterlight to	1	
E271	5240535	s/d by 2220763 } Toggle catch, N/S (L.H.) } inner quarter panel	1	
E272	5240537	Anchor plate—Toggle catch	2	
	5240538	Spacer } Anchor plate	2	
	5240539	Rivet } to toggle catch	2	
E273	5240531	Grommet	4	
E274	5240533	Screw } Toggle catch anchor	2	
E275	5240534	Lockwasher } plate to quarterlight	2	
E276	5240532	Nut	2	
	2220730	Weatherstrip, O/S (R.H.) } Quarterlight	1	
E277	2220731	Weatherstrip, N/S (L.H.) } to roof panel	1	
	9732083	Screw, No. 6 × 1/8" P.H.—Retainer plate to roof panel	8	
	39711062	Screw, No. 6 UNC. × 3/8" —Quarterlight	6	
EF278	2220735	Weatherstrip	2	
	2220736	Finisher, O/S (R.H.) } Quarterlight—Front	1	
E279	2220737	Finisher, N/S (L.H.) }	1	
	39811052	Screw, No. 6 UNC. × 3/8" P.H. } Finisher	6	
	9663091	Washer, 3/8" shakeproof } roof panel	6	

BODY FITTINGS — From Series III

Plate Ref.	Part Number	DESCRIPTION	No. per Veh.	REMARKS
		HARDTOP FITTINGS—continued		
E280	2220725	BACKLIGHT (Perspex)	1	
EF281	2226210	Weatherstrip	1	
E282	2226208	Moulding, O/S (R.H.) } Backlight	1	
E283	2226209	Moulding, N/S (L.H.) }	1	
E284	2226211	Joint cover	2	
		HEADLINING COMPLETE		See Soft Trim
	2220706	Listing rail No. 1 }	1	
	2220707	Listing rail No. 2 } Headlining	1	
	2220708	Listing rail No. 3 }	1	
	2220709	Listing rail No. 4 }	1	
	2220784	s/d by 2226242 Capping, O/S (R.H.) } "B" post	1	
	2220785	s/d by 2226243 Capping, N/S (L.H.) } top	1	
	2226242	Capping, O/S (R.H.) } "B" post	1	
E285	2226243	Capping, N/S (L.H.) }	1	
	2226245	Seal—Capping to "B" post top	2	
	39213061	Screw, No. 10 × 3/8" } Capping to	4	
	39113102	Screw, No. 10 × 3/8" } "B" post	4	
	2220870	s/d by 2235596 Seal, O/S (R.H.)	1	
E286	2220871	s/d by 2235597 Seal, N/S (L.H.)	1	
	2223874	Mounting bracket, O/S (R.H.) } Capping	1	
E287	2223875	Mounting bracket, N/S (L.H.) }	1	
	39303061	Screw, No. 10 UNF. × 3/8" } Mounting	8	
	9663123	Washer, 3/8" shakeproof } bracket to body	8	
		Waist roll		} See Soft Trim
		Furlex piping		
	2220738	Finisher, O/S (R.H.) } Drip	1	
E288	2220739	Finisher, N/S (L.H.) } moulding	1	
G288/1	2214906	Clip—Rear parcel tray pad	6	
		REAR TRUNK		
		TRUNK LID PANEL		See Body Panels
E289	2207640	HINGE, O/S (R.H.) } Trunk lid	1	
E290	2207641	HINGE, N/S (L.H.) } to body	1	
		Gasket		Not supplied
	9050176	Screw, 1/4" UNF. × 3/8" }	2	
	9067017	Washer, 1/4" plain } Hinges to trunk	4	
	9660163	Washer, 1/4" spring } lid and boy	4	
	9664163	Washer, 1/4" shakeproof }	2	
	9510040	Nut, 1/4" UNF.	4	
E291	2201251	FINGER PULL—Trunk lid	1	
	39813061	Screw, No. 10 UNC. × 3/8" } Finger pull	2	
	9660123	Washer, 3/8" spring } to lid	2	
		LOCK COMPLETE—Trunk lid		Not supplied
E292	5240528	Lock mechanism	1	
E293	5037441	Push button assembly less housing	1	
E294	5037442	Locking barrel	1	
E295	H.111746	Key—Rectangular head } F.P. Series 726-750	2	
	5240550	Locking barrel	1	
	5200535	Key—Round head } F.S. Series 876-955	2	
E296	5037443	Push button	1	
E297	5037444	Spring } Push	1	
E298	5037445	Housing } button	1	
	69609163	Rivet, No. 9 × 1/4" O.H.—Housing to bracket	2	

BODY FITTINGS — From Series III

Plate Ref.	Part Number	DESCRIPTION	No. per Veh.	REMARKS
		REAR TRUNK—continued		
	39333081	Screw, No. 10 UNF. × ½"	4	
	9067095	Washer, ⅜" plain	4	
	9663122	Washer, ⅜" shakeproof	4	
E299	2218175	Support bracket—Lock	1	
	19504052	Screw, ¼" UNF. × ½"	8	
	9067112	Washer, ¼" plain	8	
	9664163	Washer, ¼" shakeproof	8	
E300	2201169	Striker plate—Trunk lock	1	
	5220690	Screw, ¼" UNF. × ½"	4	
	9067015	Washer, ¼" plain (⅜" O/D)	4	
	9067018	Washer, ¼" plain (⅜" O/D)	2	
	9660161	Washer, ¼" spring	4	
E301	2201352	Seal—Lock to lower panel	1	
E302	2218262	SUPPORT, O/S (R.H.)	1	
	2218263	SUPPORT, N/S (L.H.)	1	
E303	2218322	Spring—Support	2	
	9067015	Washer, ¼" plain	2	
	9664162	Washer, ¼" shakeproof	2	
	9510040	Nut, ¼" UNF.	2	
	19504042	Bolt, ¼" UNF. × ½"	4	
	9664162	Washer, ¼" shakeproof	4	
E304	2201600	"S"	1	
E305	2201601	"U"	1	
E306	2201602	"N"	1	
E307	2201603	"B"	1	
E308	2201604	"E"	1	
E309	2201605	"A"	1	
E310	2201606	"M"	1	
	2201833	Washer ...	14	
G311	9206502	Spire fix	14	
E312	2225277	Surround	1	
E313	2223849	s/d by 2231258	1	
E313/1	2235992	Insert	1	
G314	9132936	Friction bush—Motif to trunk lid	3	
E315	2227552	s/d by 2233108	1	
	2227553	Fixing bolt	1	
	2233108	Fixing bolt	1	
E316	2201695	Bracket	2	
EF317	5220230	Buffer	2	
	39313051	Screw, No. 10 UNF. × ⅜"	4	
	9067095	Washer, ⅜" plain	4	
	9663123	Washer, ⅜" shakeproof	4	
		REAR TRUNK—continued		
		Screw, No. 10 UNF. × ½"	4	
		Washer, ⅜" plain	4	
		Washer, ⅜" shakeproof	4	
		Support bracket—Lock	1	
		Screw, ¼" UNF. × ½"	8	
		Washer, ¼" plain	8	
		Washer, ¼" shakeproof	8	
		Striker plate—Trunk lock	1	
		Screw, ¼" UNF. × ½"	4	
		Washer, ¼" plain (⅜" O/D)	4	
		Washer, ¼" plain (⅜" O/D)	2	
		Washer, ¼" spring	4	
		Seal—Lock to lower panel	1	
		SUPPORT, O/S (R.H.)	1	
		SUPPORT, N/S (L.H.)	1	
		Spring—Support	2	
		Washer, ¼" plain	2	
		Washer, ¼" shakeproof	2	
		Nut, ¼" UNF.	2	
		Bolt, ¼" UNF. × ½"	4	
		Washer, ¼" shakeproof	4	
		"S"	1	
		"U"	1	
		"N"	1	
		"B"	1	
		"E"	1	
		"A"	1	
		"M"	1	
		Washer ...	14	
		Spire fix	14	
		Surround	1	
		s/d by 2231258	1	
		Insert	1	
		Friction bush—Motif to trunk lid	3	
		s/d by 2233108	1	
		Fixing bolt	1	
		Fixing bolt	1	
		Bracket	2	
		Buffer	2	
		Screw, No. 10 UNF. × ⅜"	4	
		Washer, ⅜" plain	4	
		Washer, ⅜" shakeproof	4	

From Series IV
 Series IV
 From Series V
 From Series IV
 Standard wheels
 up to B395009817
 "Knock-on" wheels
 Standard wheels
 from B395009818

BODY FITTINGS — From Series III

Plate Ref.	Part Number	DESCRIPTION	No. per Veh.	REMARKS
		SOFT TRIM		
		Note. Soft Trim comprises Vynide, Carpets, etc.		
		VYNIDE—VT1173 (50" wide)		
		Cordova Grain 340		
5106366		Black } Without	A/R	Series III
5106379		Azure Blue } overprint	A/R	
5101179		Blue—With overprint	A/R	
		Grain 434		
5109472		Scarlet—Without overprint	A/R	Series III
		VYNIDE—Ambia 306 Grain 341 (50 wide)		
5111450		Black	A/R	Series IV Standard
5111456		New Red	A/R	
5111446		Azure Blue	A/R	
		VYNIDE—Ambia 306 Pigskin Grain (50" wide)		
5114658		Black	A/R	Series IV G.T. and Tiger
5114660		New Red	A/R	
5114659		Tan	A/R	
5114661		Azure Blue	A/R	
		VYNIDE—Ambia 308 Grain 341 (50" wide)		
5115005		Black	A/R	Series V
5115002		New Red	A/R	
5115006		Tan	A/R	
5115003		Azure Blue	A/R	
		VYNIDE—VT1173 (50" wide)		
		Grain 341		
5113005		Black	A/R	Series IV Standard
5113006		New Red	A/R	
5111941		Azure Blue	A/R	
		Pigskin Grain		
5114504		Black	A/R	Series IV G.T. and Tiger
5114506		New Red	A/R	
5114505		Tan	A/R	
5114507		Azure Blue	A/R	
		Front seats		
		VYNIDE—VT1146 (50" wide)		
		Cordova Grain 340		
5106394		Black } Without	A/R	Series III
5106706		Azure Blue } overprint	A/R	
5101229		Blue—With overprint	A/R	
		Grain 434		
5109479		Scarlet—Without overprint	A/R	Series III
		Grain 341		
5111472		Black	A/R	Series IV Standard and Series V
5112933		New Red	A/R	
5112940		Tan	A/R	
5111468		Azure Blue	A/R	

BODY FITTINGS — From Series III

Plate Ref.	Part Number	DESCRIPTION	No. per Veh.	REMARKS
		SOFT TRIM—continued		
		VYNIDE—VT1146—continued		
		Pigskin Grain		
	5114499	Black	A/R	} Series IV G.T. and Tiger
	5114501	New Red	A/R	
	5114500	Tan	A/R	
	5114502	Azure Blue	A/R	
		Glove box lid, crash pad ends, door trim pads, trunk stay spring sleeve, also rear seat cushion and seat back trim pad (Standard cars only)		
		VYNIDE—VT1244 (1½" wide)		
		Grain 378		
	5108464	Black	A/R	} Series III
	5108467	Powder Blue	A/R	
	5108466	Moonstone	A/R	
	5108470	Midnight Blue	A/R	
	5108471	Apple Green	A/R	
		Grain 341		
	5115052	Black	A/R	} Series IV Standard and Series V
	5115049	New Red	A/R	
	5115051	Tan	A/R	
	5115050	Azure Blue	A/R	
		Pigskin Grain		
	5115054	Black	A/R	} Series IV G.T. and Tiger
	5115056	New Red	A/R	
	5115055	Tan	A/R	
	5115057	Azure Blue	A/R	
		Seat piping		
		VYNIDE—VT1244 Pigskin Grain (50" wide)		
	5116243	Black	A/R	} Series IV G.T. and Tiger
	5116244	New Red	A/R	
	5116245	Tan	A/R	
	5116246	Azure Blue	A/R	
		Door trim pads		
		LEATHERCLOTH—X17 (50" wide)		
		Cordova Grain		
	5106410	Black	A/R	} Series III
	5109825	Azure Blue } Without	A/R	
	5101133	Blue—With overprint	A/R	
		Grain 434		
	5109485	Scarlet—Without overprint	A/R	Series III
		Grain 341		
	5111496	Black	A/R	} From Series IV
	5112913	New Red	A/R	
	5112919	Tan	A/R	
	5111491	Azure Blue	A/R	
		Lower support rail end finishers, door inner panel cover, rear seat centre panel, wheelarch cover, scuttle side cover, "B" post trim pad, also hood tray cover trim pad and rear quarter panel cover (Standard cars only)		

BODY FITTINGS — From Series III

Plate Ref.	Part Number	DESCRIPTION	No. per Veh.	REMARKS
		SOFT TRIM—continued		
		VYWELD—(36" wide)		Standard cars only
		Cordova Grain 340		
5107739		Black } Without	A/R	} Series III
5107743		Azure Blue } overprint	A/R	
5107744		Blue—with overprint	A/R	
		Grain 434		
5109492		Scarlet—Without overprint	A/R	Series III
		Grain 341		
5114651		New Red	A/R	} Series IV and V
5114652		Azure Blue	A/R	
		Pigskin Grain		
5114509		Black	A/R	} Tiger
5114510		Tan	A/R	
5114511		New Red	A/R	} No longer available
5114512		Azure Blue	A/R	
		Seat pan		
		VYNIDE—VT1266 (50" wide)		
5101337		Black	A/R	
		Lower support rail cover		
5112000		VYNAIR (50" wide)	A/R	} Up to } Hard } B395015240 } top } From B395015241 } only
5111361	s/d by 5111362	VYNIDE—PERFORATED (50" wide)	A/R	
5111363		VYNIDE—VT1233—Polka dot (50" wide)	A/R	
		Headlining		
2220741		HEADLINING COMPLETE—Vynair	A/R	} Up to } Hard } B395015240 } top } From B395015241 } only
2516288		HEADLINING COMPLETE—Perforated	A/R	
2520853		HEADLINING COMPLETE—Polka Dot	A/R	
		CARPET (Firth 2217)—Rubber backed (40" wide)		
5110478		Light Blue	A/R	} Series III
5110486		Black	A/R	
5110485		Scarlet	A/R	
		Sill, wheelarch, rear tunnel, front crossmember top heelboard, also rear seat squab centre panel (Standard cars only)		
		CARPET (Firth 1185)—Felt backed (27" wide)		"G.T." only
5111827		Light Blue	A/R	} Series III
5111832		Black	A/R	
5111833		Scarlet	A/R	
		Trunk rear floor		
		CARPET (Firth Tufted)—Rubber backed (40" wide)		
5113493		Black	A/R	} From Series IV
5113494		Calypso Red	A/R	
5113487		Light Blue	A/R	
5113495		Tan	A/R	
		Sill, front crossmember top, heelboard		

BODY FITTINGS — From Series III

Plate Ref.	Part Number	DESCRIPTION	No. per Veh.	REMARKS
		SOFT TRIM—continued		
		CARPET (Firth Tufted)—Felt backed (40" wide)		
	5113466	Black	A/R	} From Series IV
	5113467	Calypso Red	A/R	
	5113460	Light Blue	A/R	
	5113468	Tan Front and rear floors	A/R	
		P.V.C. COATED FELT (50" wide)		
	5106422	Black Dash cover	A/R	
		HOOD COMPLETE—Tailored (Welded seams) ready to fit		
	5112280	Black } c/w Tension	1	} Up to intro. 5240779 5240780 and 5240816
	5112281	White } wires	1	
	5240779	Hood assembly c/w Cantrails—Black Cantrails (See Folding Head Fittings)	1	} Fitted from *See Note below
	5240803 5240780	Hood complete—Black—Tailored } c/w Velcro Hood complete—White—Tailored } strips	1 1	
		*Note. Fitted on B94104172, B94104189 and B94104192 onwards except B94104194, B94104197, B94104200, B94104203, B94104205, B94104207, B94104208, B94104210, B94104214, B94104216, B94104217, B94104222, B94104225, B94104226, B94104229, B94104233, B94104240, B94104243, B94104248, B94104249, B94104250—B94104252, B94104254, B94104256, B94104258, B94104294, B94104299, B94104300, B94104304, B94104315, B94104324 and B94104334		} Standard
		Fitted on B9473312, B9473318, B9473319, B9473322, B9473323, B9473325, B9473327, B9473329—99473336 and then from B9473328 onwards except B9473384		
		FURFLEX PIPING		
BF318	5112081	Light Blue	1	} Series III
	5112082	Black } O/S (R.H.)	1	
	5112083	Scarlet	1	
	5112089	Light blue	1	
	5112090	Black } (N/S (L.H.)	1	
	5112091	Scarlet Door aperture—"A" Post and Sill	1	
		FURFLEX PIPING		
F321	5112097	Light Blue	1	} Series III
	5112098	Black	1	
	5112099	Scarlet Door aperture—"B" Post	1	
		FURFLEX PIPING—Pile Type		
BF319	5112750	Light Blue	1	} From Series IV Up to intro. Plastic Type
	5112751	Black	1	
	5112753	Calypso Red } O/S (R.H.)	1	
	5112752	Scarlet	1	
	5112754	Tan	1	

BODY FITTINGS — From Series III

Plate Ref.	Part Number	DESCRIPTION	No. per Veh.	REMARKS
		SOFT TRIM—continued		
		FURFLEX PIPING—Pile Type—continued		
	5112757	Light Blue	1	
	5112758	Black	1	
	5112760	Calypso Red	1	
	5112759	Scarlet	1	
	5112761	Tan	1	
		Door aperture—"A" Post		
BF320		FURFLEX PIPING—Pile Type		From Series IV
	5112764	Light Blue	1	Up to intro. Plastic Type
	5112765	Black	1	
	5112767	Calypso Red	1	
	5112766	Scarlet	1	
	5112768	Tan	1	
		Door aperture—Sill		
		FURFLEX PIPING—Plastic Type		
	5116191	Light Blue	1	Series V from B395005515 Light Blue. B395004020 Black and 395006030 Calypso Red
	5116189	Black	1	
	5116190	Calypso Red	1	
	5116199	Light Blue	1	
	5116197	Black	1	
	5116198	Calypso Red	1	
		Door aperture—"A" Post		
		FURFLEX PIPING—Plastic Type		
	5116206	Light Blue	1	
	5116204	Black	1	
	5116205	Calypso Red	1	
		Door aperture—Sill		
		FURFLEX PIPING—Plastic Type		
	5116220	Light Blue	1	
	5116218	Black	1	
	5116219	Calypso Red	1	
	5116227	Light Blue	1	
	5116225	Black	1	
	5116226	Calypso Red	1	
		Door aperture—"B" Post		
EF322		FURFLEX PIPING—Pile Type		Hardtop only
	5112105	Light Blue	1	
	5112106	Black	1	
	5112108	Calypso Red	1	
	5112107	Scarlet	1	
	5112109	Tan	1	
		Door aperture—Top		
		FURFLEX PIPING—Plastic Type		Hardtop only
	5116214	Light Blue	1	
	5116211	Black	1	
	5116212	Calypso Red	1	
		Door aperture—Top		

BODY FITTINGS — From Series III

Plate Ref.	Part Number	DESCRIPTION	No. per Veh.	REMARKS	
B323		SOFT TRIM—continued			
		MOULDED GEARBOX CARPET		Series III	
	5109694	Light Blue	1	} Standard Transmission	
	5109693	Black	1		
	5109692	Scarlet	1		
	5112741	Light Blue	1	} Automatic Transmission	
	5112742	Black	1		
	5112743	Scarlet	1		
			MOULDED GEARBOX CARPET—Tufted		
	5115024	Light Blue	1	} Standard Transmission Up to B395003297 Std. and B395003555 "G.T."	
	5115022	Black	1		
	5115023	Calypso Red	1		
	5115025	Tan	1		
	5115953	Light Blue	1	} Standard Transmission From B395003298 Std. and B395003556 "G.T."	
	5115952	Black	1		
	5115951	Calypso Red	1		
	5115954	Tan	1		
	5115033	Light Blue	1	} Automatic Transmission	
	5115031	Black	1		
	5115032	Calypso Red	1		
	5115034	Tan	1		
			MOULDED CARPET—Rear Seat Pan		Series V
	5115066	Light Blue	1		
	5115064	Black	1		
	5115065	Calypso Red	1		
	5115067	Tan	1		
			CARPET COMPLETE—Front Floor		Series III
	5112032	Light Blue	} O/S (R.H.)	1	} Standard Transmission
	5112033	Black		1	
	5112034	Scarlet		1	
	5112040	Light Blue	} N/S (L.H.)	1	
	5112041	Black		1	
5112042	Scarlet	1			
5112049	Light Blue	} O/S (R.H.)	1		
5112050	Black		1		
5112051	Scarlet		1		
5112057	Light Blue	} N/S (L.H.)	1		
5112058	Black		1		
5112059	Scarlet		1		
5112771	Light Blue	} O/S (R.H.)	1	} Automatic Transmission	
5112772	Black		1		
5112773	Scarlet		1		
5112778	Light Blue	} N/S (L.H.)	1		
5112779	Black		1		
5112780	Scarlet		1		

BODY FITTINGS — From Series III

Plate Ref.	Part Number	DESCRIPTION	No. per Veh.	REMARKS
		SOFT TRIM—continued		
		CARPET COMPLETE—Front Floor—continued		
5112785		Light Blue	1	Automatic Transmission
5112786		Black } O/S (R.H.)	1	
5112787		Scarlet	1	
5112792		Light Blue } L.H.D.	1	
5112793		Black } (N/S (L.H.))	1	
5112794		Scarlet	1	
		CARPET COMPLETE—Rear Floor		Series III
5112065		Light Blue	1	
5112066		Black } O/S (R.H.)	1	
5112067		Scarlet	1	
5112073		Light Blue } N/S (L.H.)	1	
5112074		Black	1	
5112075		Scarlet	1	
		CARPET COMPLETE—Front Floor—Tufted		From Series IV
5114696		Light Blue	1	Standard
5114694		Black	1	
5114695		Calypso Red } O/S (R.H.)	1	
5114697		Tan	1	
5114704		Light Blue } R.H.D.	1	
5114702		Black	1	
5114703		Calypso Red } N/S (L.H.)	1	
5114705		Tan	1	
5114712		Light Blue	1	
5114710		Black	1	
5114711		Calypso Red } O/S (R.H.)	1	
5114713		Tan	1	
5114720		Light Blue } L.H.D.	1	
5114718		Black	1	
5114719		Calypso Red } N/S (L.H.)	1	
5114721		Tan	1	
5114790		Light Blue	1	
5114788		Black	1	
5114789		Calypso Red } O/S (R.H.)	1	
5114791		Tan	1	
5114806		Light Blue } R.H.D.	1	
5114804		Black	1	
5114805		Calypso Red } N/S (L.H.)	1	
5114807		Tan	1	
5114798		Light Blue	1	
5114796		Black	1	
5114797		Calypso Red } O/S (R.H.)	1	
5114798		Tan	1	
5114814		Light Blue } L.H.D.	1	
5114812		Black	1	
5114813		Calypso Red } N/S (L.H.)	1	
5114815		Tan	1	
				Automatic Transmission

BODY FITTINGS — From Series III

Plate Ref.	Part Number	DESCRIPTION	No. per Veh.	REMARKS
		SOFT TRIM—continued		
		CARPET COMPLETE—Rear Floor—Tufted		From Series IV
5114728		Light Blue	1	
5114726		Black	1	
5114727		Calypso Red	1	
5114729		Tan	1	
5114736		Light Blue	1	
5114734		Black	1	
5114735		Calypso Red	1	
5114737		Tan	1	
		DOOR TRIM PADS		
5112116		Blue	1	
5112114		Black	1	
5112115		Scarlet	1	
5112113		Azure Blue	1	
5112117		New Red	1	
5112118		Tan	1	
5112125		Blue	1	
5112123		Black	1	
5112124		Scarlet	1	
5112122		Azure Blue	1	
5112126		New Red	1	
5112127		Tan	1	
5112133		Blue	1	
5112131		Black	1	
5112132		Scarlet	1	
5112130		Azure Blue	1	
5112134		New Red	1	
5112135		Tan	1	
5112137		Blue	1	
5112139		Black	1	
5112140		Scarlet	1	
5112138		Azure Blue	1	
5115059		New Red	1	
5115060		Tan	1	
5115774		Black	1	
5115777		Azure Blue	1	
5115775		New Red	1	
5115776		Tan	1	
5115781		Black	1	
5115784		Azure Blue	1	
5115782		New Red	1	
5115783		Tan	1	
5115788		Black	1	
5115791		Azure Blue	1	
5115789		New Red	1	
5115790		Tan	1	
5115795		Black	1	
5115798		Azure Blue	1	
5115796		New Red	1	
5115797		Tan	1	

BODY FITTINGS — From Series III

Plate Ref.	Part Number	DESCRIPTION	No. per Veh.	REMARKS	
		SOFT TRIM—continued			
		DOOR TRIM PADS—Pigskin Grain			
	5117929	Black	1	"260" and Tiger II	
	5117930	New Red } O/S (R.H.)	1		
	5117931	Tan	1		
	5117935	Black	1		
	5117936	New Red } N/S (L.H.)	1		
	5117937	Tan	1		
		REAR QUARTER TRIM PADS			
	5112144	Blue	1	"G.T." Series III and IV up to B94100000	
	5112142	Black	1		
	5112143	Scarlet	1		
	5112141	Azure Blue } O/S (R.H.)	1		
	5112145	New Red	1		
	5112146	Tan	1		
	5112152	Blue	1		
	5112150	Black	1		
	5112151	Scarlet	1		
	5112149	Azure Blue } N/S (L.H.)	1		
	5112153	New Red	1		
	5112154	Tan	1		
	5116168	Black	1		"G.T." from B94100001 Series IV and V
	5116169	Azure Blue } O/S (R.H.)	1		
	5116170	New Red	1		
	5116171	Tan	1		
	5116175	Black	1		
	5116176	Azure Blue } N/S (L.H.)	1		
	5116177	New Red	1		
	5116178	Tan	1		
	5117941	Black	1	"260" and Tiger II	
	5117942	Azure Blue } O/S (R.H.)	1		
	5117943	New Red	1		
	5117944	Tan	1		
	5117948	Black	1		
	5117949	Azure Blue } N/S (L.H.)	1		
	5117950	New Red	1		
	5117951	Tan	1		
		REAR SEAT SQUAB TRIM PAD			
	5112160	Blue	1	"G.T." Series III and IV up to B94100000	
	5112158	Black	1		
	5112159	Scarlet	1		
	5112157	Azure Blue	1		
	5116161	Black	1	"G.T." from B94100001 Series IV and V	
	5116162	Azure Blue	1		
	5116163	New Red	1		
	5116164	Tan	1		
	5117955	Black	1	Pigskin Grain "260" and Tiger II	
	5117956	Azure Blue	1		
	5117957	New Red	1		
	5117958	Tan	1		

BODY FITTINGS — From Series III

Plate Ref.	Part Number	DESCRIPTION	No. per Veh.	REMARKS
		SOFT TRIM—continued		
		REAR SEAT SQUAB TRIM PAD—continued		
	5115767	Black	1	} Standard from Series V
	5115770	Azure Blue	1	
	5115768	New Red	1	
	5115769	Tan	1	
		REAR SEAT CUSHION COVER		"G.T."
	5112166	Black with Black piping	1	} Series III and IV
	5112167	Black with Apple Green piping	1	
	5112168	Black with Moonstone piping	1	
	5112169	Black with Powder Blue piping	1	
	5112170	Black with Scarlet piping	1	
	5112171	Scarlet with Black piping	1	
	5112172	Blue with Midnight Blue piping	1	
	5112173	Azure Blue with Midnight Blue piping	1	
	5112174	New Red with New Red piping	1	
	5112175	Tan with Tan piping	1	
		WAIST ROLL—Black		"G.T."
	5115802	Black	1	} Series V
	5115805	Azure Blue	1	
	5115803	New Red	1	
	5115804	Tan	1	
		WAIST ROLL—Black		"G.T."
	2222982	Door, O/S (R.H.)	1	} Standard—Series V
E325	2222983	Door, N/S (L.H.)	1	
	2222930	Rear quarter, O/S (R.H.)	1	
E326	2222931	Rear quarter, N/S (L.H.)	1	
E327	2222929	Rear seat squab	1	
		WAIST ROLL—Hood Stowage		
D327/1	2519726	Stowage cover—Centre	1	} Standard—Series V
	5115761	Stowage cover, O/S (R.H.)	1	
	5115762	Stowage cover, N/S (L.H.) } Outer	1	
	5115763	Stowage cover, O/S (R.H.) } Outer	1	
CCA328	2220806	FACIA CRASH PAD—Black	1	
E329	2222346	TRUNK FLOOR MAT—Black	1	
	5118436	CENTRE ARMREST AND GLOVEBOX LID—Black	1	
	5118437	CENTRE ARMREST AND GLOVEBOX LID—New Red	1	
	5118440	CENTRE ARMREST AND GLOVEBOX LID—Azure Blue	1	

BODY FITTINGS — From Series III

Plate Ref.	Part Number	DESCRIPTION	No. per Veh.	REMARKS
MISCELLANEOUS TRIM AND FITTINGS (Standard Cars)				
Doors				
G330	9131156	Trim Pad		See Soft Trim
G331		Clip—Trim pad to door	28	
		Drive fastener (Plastic)—Trim pad to door		
	5112599	Black	4	
	5112600	Scarlet	4	
	5112601	Blue	4	
	5112602	Azure Blue	4	
G332	9130023	Clip—Inner panel cover	12	
G333	9119622	Sleeve—Clip—Trim pad lower	12	
	2201130	Door seal } "B" Post and	2	Series III
BF334	2228963	Door seal } door bottom	2	From Series IV.
BF335	2220838	Seal—"A" post drain channel	2	
		Furflex piping		See Soft Trim
BF336	H.109776	Cap—Furflex piping ("A" Post top)	2	
BF337	2228966	Finisher, O/S (R.H.) } "B" Post	1	} From Series IV up to intro. } 5116218-227 (See Soft Trim)
	2228967	Finisher, N/S (L.H.) }	1	
Rear Quarter				
		Trim pad—Rear quarter		Not supplied
G338	2220824	Clip—Trim pad to quarter panel	12	
		Trim pad—Wheelarch		Not supplied
G339	9130042	Clip—Trim pad to wheelarch	8	
		Side cover—Hood tray—See Body Panels.		
D340	2220771	Pivot—Front } Side cover	2	} Up to Series V
D341	2220770	Pivot bolt—Rear } to body	2	
DF342	2218466	Buffer—Side cover	2	
	2218474	Finisher, O/S (R.H.) } Side cover	1	
DF343	2218475	Finisher, N/S (L.H.) } rear	1	
	2218468	Rubbing plate, O/S (R.H.) } Side	1	
D344	2218469	Rubbing plate, N/S (L.H.) } cover	1	
G345	9206502	Clip—Rubbing plate to side cover	10	
Rear Seat				
		Cover—Rear seat pan		Not supplied
G346	9128517	Button } Cover	6	
G347	9128509	Socket } fasteners	6	
G348	9128510	Stud—Fasteners to seat pan	6	
		Trim pad—Rear squab panel		Not supplied
	19803032	Screw, No. 10 UNF. × 3/8" hex. hd. }	4	} Trim pad to seat back panel
	9067095	Washer, 3/8" plain	4	
	9660123	Washer, 3/8" spring	4	
G349		Plastic rivet—Trim pad to seat back panel		
	5112272	Black	12	
	5112273	Scarlet	12	
	5112274	Blue	12	
	5112275	Azure Blue	12	
	5112276	New Red	12	
	5112277	Tan	12	

BODY FITTINGS — From Series III

Plate Ref.	Part Number	DESCRIPTION	No. per Veh.	REMARKS
		MISCELLANEOUS TRIM (Standard)—continued		
		Floor		
B350	2222314	Mat, O/S (R.H.) } R.H.D. } 1	1	Standard Transmission
B351	2222316	Mat, N/S (L.H.) } R.H.D. } Front 1	1	
	2222317	Mat, O/S (R.H.) } L.H.D. } 1	1	
	2222315	Mat, N/S (L.H.) } L.H.D. } 1	1	
G352	9128510	Stud—Front mat 4	4	
	9712086	Screw, No. 6 × 1/4" } Stud to 3	3	
	9143015	Rivet floor 2	2	
D353	2222312	s/d by 2228930 Mat, O/S (R.H.) } R.H.D. } 1	1	
D354	2224923	s/d by 2228933 Mat, N/S (L.H.) } R.H.D. } 1	1	
	2224922	s/d by 2228932 Mat, O/S (R.H.) } R.H.D. } Rear 1	1	
	2222313	s/d by 2228931 Mat, N/S (L.H.) } L.H.D. } 1	1	
	2228931	Mat, N/S (L.H.) } L.H.D. } 1	1	
G355	9128510	Stud } Rear 4	4	
G356	9128512	Eyelet } mat 4	4	
		Carpet complete—See Soft Trim.		
G357	9128552	Ring (long prong) } Front and 8	8	Automatic Transmission
G358	9128521	Spring—Ring } rear carpets 8	8	
G359	9128518	Button 2	2	
G360	9128507	Socket } Steering column 2	2	
G361	9128512	Eyelet } strap 2	2	
G362	9128511	Stud } 2	2	
	9128510	Stud—Carpet to floor 4	4	
		Moulded gearbox carpet		See Soft Trim
G363	9128552	Ring (long prong) } Carpet 3	3	See Soft Trim
G364	9128521	Spring—Ring } fasteners 3	3	
G365	9128510	Stud—Fasteners to floor 4	4	
B366	2211427	Filler plug—Gearbox carpet 1	1	
	9128512	Eyelet 4	4	
	9712105	Screw, No. 6 × 1/4" } Moulded 4	4	
	9128534	Stud carpet 4	4	
	9712085	Screw, No. 6 × 1/4" } 4	4	
B367	2201240	s/d by 2225390 Ash tray } Front 1	1	
	2225390	Ash tray } floor 1	1	
	9732086	Screw, No. 6 × 1/4"—Ash tray to tunnel 4	4	
		Centre armrest and glovebox lid		See Soft Trim
	2207656	Hinge-lid 2	2	
	9771063	Screw, No. 4 × 3/8" } Lid to 2	2	
	9067094	Washer, 3/8" plain } box 2	2	
	9732084	Screw, No. 6 × 1/4"—Glove box to floor 6	6	
B368	2207882	Lock—Glovebox lid 1	1	
B369	H.111746	Key—F.P. 726-750 Rectangular head 2	2	
	5200535	Key—F.S. 876-955 Round head 2	2	
	2223886	Tread plate, O/S (R.H.) } Sill 1	1	
B370	2223887	Tread plate, N/S (L.H.) } Sill 1	1	
	9723082	Screw, No. 8 × 1/4" Rsd. hd.—Tread to sill 16	16	
	2201750	Finisher, O/S (R.H.) } Sill 1	1	
B371	2201751	Finisher, N/S (L.H.) } gusset 1	1	
	9712085	Screw, No. 6 × 1/4"—Finisher to gusset 6	6	
A371/1	2236026	Moulding, O/S (R.H.) } Sill 1	1	Series V
	2236027	Moulding, N/S (L.H.) } Sill 1	1	
G371/2	9129523	s/d by 5240465 Clip—Moulding to sill 16	16	

BODY FITTINGS — From Series III

Plate Ref.	Part Number	DESCRIPTION	No. per Veh.	REMARKS
		MISCELLANEOUS TRIM (Standard)—continued		
		Scuttle		
		Trim pad—Scuttle side		Not supplied
	9721082	Screw, No. 4 × ½" } Trim pad	10	
	9670433	Washer, No. 4 cup } scuttle side	10	
	2212549	Seal (49" long) } Bulkhead	1	
F372	2228990	Seal (49" long) } Bulkhead	1	
G373	9130023	Clip—Seal to bulkhead	4	
		Hood		
		Hood cover complete		See Soft Trim
G374	9128535	Button } Side	2	
G375	9128536	Socket } fasteners	2	
G376	9128010	Backplate } Rear	2	
G377	9128014	Socket } fastener	2	
G378	9128011	Stud—Hood to body side	2	
G379	9128012	Stud—Hood to body rear	2	
DF380	2220842	Retainer (Plastic)	1	
DF381	2220843	Retainer, O/S (R.H.) } Hood to	1	
DF382	2220844	Retainer, N/S (L.H.) } body	1	
DF383	2220845	Retainer—Centre	1	
	9772084	Screw, No. 6 × ½"—Retainers to body	25	
G383/1	2237052	Clip—Plastic hood	6	
		Hood stowage cover		See Soft Trim
		Waist roll—Hood stowage		
	9128006	Socket ... } Dot	6	From Series V
	9128010	Backing plate } fastener	6	
	9128535	Button } Fastener	2	
	9128536	Socket }	2	
	2237074	Strap—Hood stowage cover	2	
	P.49394	Zip fastener—8" long	2	
G384	9128012	Stud—Body sides and deck panels	12	
G385	9128011	Stud } "B" Post	2	
	9128013	Stud }	2	
	2228937	Fibre washer—Stud ... } Cockpit	8	
G386	9128048	Stud ... } cover	1	
	9663122	Washer, ⅜" shakeproof } Glovebox	1	
	9600522	Nut, 2 BA. ... }	1	
G387	9128054	Stud—Demister bezel ... }	4	
		Rear Trunk		
		Floor mat—See Soft Trim.		
E388	2226214	Trim pad, O/S (R.H.) } Side (Petrol tank cover)	1	
	2226215	Trim pad, N/S (L.H.) }	1	
E389	2226212	Trim pad, O/S (R.H.) } Rear	1	
E390	2226213	Trim pad, N/S (L.H.) }	1	
	9762063	Screw, No. 6 × ⅜" }	22	
	9762083	Screw, No. 6 × ¼" } Trim pads to body	6	
	9670621	Washer, No. 6 cup }	28	
	5112272	Rivet—Trim pad	28	Alternative
EF391	2217040	Seal—Trunk lid	1	Not supplied
		Curtain—Rear trunk (Front)		
G392	9128518	Button } Curtain	8	
G393	9128509	Socket } fasteners	8	
G394	9128510	Stud—Fasteners to body	8	

BODY FITTINGS — From Series III

Plate Ref.	Part Number	DESCRIPTION	No. per Veh.	REMARKS
MISCELLANEOUS TRIM AND FITTINGS (“G.T.” only)				
Doors				
G395	9131156	Trim pad	...	See Soft Trim
G396	9131156	Clip—Trim pad to door	18	
	5112599	Drive fastener (Plastic)—Trim pad to door.	...	
	5112600	Black...	4	
	5112601	Scarlet	4	
	5112601	Blue	4	
	5112602	Azure Blue	4	
	9762080	Screw, No. 6 × ½" O.H.	4	} Alternative
	9670613	Washer, No. 6 cup	4	
G397	9130023	Clip ... } Inner panel	12	
G398	9119622	Sleeve—Clip } cover	10	
		Waist rolls	...	See Soft Trim
	39811061	Screw, No. 6 × ¾" P. hd.—Waist roll to door	6	
	2201130	Door Seal } “B” Post and	2	
BF399	2228963	Door Seal } door bottom	2	
BF400	2220838	Seal—“A” post drain channel	2	
		Furflex piping	...	See Soft Trim
BF401	H.109776	Cap—Furflex piping (“A” post top)	2	
BF402	2228966	Finisher, O/S (R.H.)	1	} From Series IV up to intro. 5116218-227 (See Soft Trim)
	2228967	Finisher, N/S (L.H.)	1	
Rear Quarter				
		Trim pad—“B” Post	...	Not supplied
G403	2214906	Clip—Trim pad to “B” Post	6	
		Trim Pad—Rear quarter	...	See Soft Trim
G404	9130086	Clip } Trim pad to	8	
G405	2220824	Clip } quarter panel	12	
		Waist roll	...	See Soft Trim
	9067095	Washer, ⅝" plain	4	} to quarter panel
	9663123	Washer, ⅝" shakeproof	4	
	9510031	Nut, No. 10 UNF.	4	
Rear Seat				
		Cushion cover	...	} See Soft Trim
		Trim pad—Squab	...	
G406	2220824	Clip ... } Trim pad to	15	
G407	9119622	Sleeve—Clip } squab panel	5	
		Waist roll	...	See Soft Trim
	39711061	Screw, No. 6 × ⅝" } Waist roll	2	
G408	2220824	Clip ... } to body	3	
Floor				
		Carpet complete	...	See Soft Trim
G409	9128552	Ring (long prong) } Front and	8	
G410	9128521	Spring—Ring } rear carpets	8	
G411	9128518	Button	2	
G412	9128507	Socket } Steering column	2	
G413	9128512	Eyelet } strap	2	
G414	9128511	Stud } ...	2	
	9129001	Eyelet—Turnbutton	1	
G415	9128534	Stud—Carpet to floor	8	
		Moulded gearbox carpet	...	See Soft Trim
G416	9128552	Ring (long prong)	3	
G417	9128521	Spring—Ring	3	

BODY FITTINGS — From Series III

Plate Ref.	Part Number	DESCRIPTION	No. per Veh.	REMARKS
		MISCELLANEOUS TRIM ("G.T.")—continued		
G418	9128534	Stud—Gearbox carpet to floor	3	
B419	2211427	Filler plug—Gearbox carpet	1	
B420	2201240	Ash tray } Front	1	
	2225390	Ash tray } floor	1	
	9732086	Screw, No. 6 × ½"—Ash tray to tunnel	4	
		Centre armrest and glovebox lid		See Soft Trim
	2207656	Hinge—Lid	2	
	9771063	Screw, No. 4 × ¾" } Lid to	2	
	9067094	Washer, ⅜" plain } box	2	
	9732084	Screw, No. 6 × ½"—Glovebox to floor	6	
B421	2207882	Lock—Glovebox lid	1	
B422	H.111746	Key—F.P. 726-750 Rectangular head	2	
	5200535	Key—F.S. 876-955 Round head	2	
	2223886	Tread plate, O/S (R.H.) } Sill	1	
B423	2223887	Tread plate, N/S (L.H.) }	1	
	9732082	Screw, No. 8 × ½"—Rsd. hd.—Tread plate to sill	16	
	2201750	Finisher, O/S (R.H.) } Sill	1	
B424	2201751	Finisher, N/S (L.H.) } gusset	1	
	9712085	Screw, No. 6 × ½"—Finisher to gusset	6	
		Scuttle		
		Trim pad—Scuttle side		Not supplied
	9721082	Screw, No. 4 × ½" } Trim pad to	10	
	9670433	Washer, No. 4 cup } scuttle side	10	
F425	2212549	s/d by 2228990 Seal (49" long)—Bulkhead	1	
G426	P.43870	s/d by 9130023 Clip—Seal to bulkhead	4	
F426/1	9119042	Grommet—Plugging bulkhead holes	A/R	
		Rear Trunk		
		Floor mat		See Soft Trim
	2226214	Trim pad, O/S (R.H.) } Side	1	
E427	2226215	Trim pad, N/S (L.H.) }	1	
E428	2226212	Trim pad, O/S (R.H.) } Rear	1	
E429	2226213	Trim pad, N/S (L.H.) }	1	
	9762063	Screw, No. 6 × ¾" } Trim pads to body	22	
	9762083	Screw, No. 6 × ¾" }	6	
	9670621	Washer, No. 6 cup }	28	
	5112272	Rivet—Trim pad	28	Alternative
EF430	2217040	Seal—Trunk lid	1	

BODY FITTINGS — From Series III

Plate Ref.	Part Number	DESCRIPTION	No. per Veh.	REMARKS
PAINT				
Note. The number in brackets shown against the Paint Name represents Colour Code stamped on Chassis Identification Plate.				
(1 Pint Tins)				
	5115136 s/s 5109899	Wedgwood Blue (53)	A/R	
	5115108 s/s 5101424	Moonstone (19)	A/R	
	5115118 s/s 5107731	Carnival Red (39)	A/R	
	5115072 s/s 5100590	Embassy Black (1)	A/R	
	5115154 s/s 5111155	Autumn Gold Metallic (68)	A/R	
	5115150 s/s 5111146	Quartz Blue Metallic (61)	A/R	
	5115160 s/s 5111351	Light Green Metallic (67)	A/R	
	5115142 s/s 5110357	Midnight Blue (58)	A/R	
	5115166 s/s 5112183	Balmoral Grey (76)	A/R	
	5115182 s/s 5112286	Forest Green (86)	A/R	
	5115206	Arctic White (92)	A/R	
	5115294	Mediterranean Blue (100)	A/R	
	5115549	Polar White (108)	A/R	
	5117873	Gunmetal Metallic (130)	A/R	
	5115302	Torquoise Blue Metallic (127)	A/R	
	5117242	Signal Red (122)	A/R	
	5115210	Oxford Blue (102)	A/R	
	5115559	Holly Green (107)	A/R	
	5115569	Commodore Blue (106)	A/R	
	5115551	Orchid Green (109)	A/R	
(4 Pint Tins)				
	5115137 s/s 5109900	Wedgwood Blue (53)	A/R	
	5115109 s/s 5101425	Moonstone (19)	A/R	
	5115119 s/s 5107732	Carnival Red (39)	A/R	
	5115073 s/s 5100591	Embassy Black (1)	A/R	
	5115155 s/s 5111156	Autumn Gold Metallic (68)	A/R	
	5115151 s/s 5111147	Quartz Blue Metallic (61)	A/R	
	5115161 s/s 5111352	Light Green Metallic (67)	A/R	
	5115143 s/s 5110358	Midnight Blue (58)	A/R	
	5115167 s/s 5112184	Balmoral Grey (76)	A/R	
	5115183 s/s 5112287	Forest Green (86)	A/R	
	5115207	Arctic White (92)	A/R	
	5115295	Mediterranean Blue (100)	A/R	
	5115550	Polar White (108)	A/R	
	5117874	Gunmetal Metallic (130)	A/R	
	5115303	Torquoise Blue Metallic (127)	A/R	
	5117243	Signal Red (122)	A/R	
	5115211	Oxford Blue (102)	A/R	
	5115560	Holly Green (107)	A/R	
	5115570	Commodore Blue (106)	A/R	
	5115552	Orchid Green (109)	A/R	
		Metallichrome Tinters		See Data 2G/154

BODY FITTINGS — From Series III

Plate Ref.	Part Number	DESCRIPTION	No. per Veh.	REMARKS
TINTER COLOURS — 1 Pint Tins				
Note. Items marked * should NOT be used with METALLIC PAINTS.				
	5240730	Scarlet Oxide	A/R	
	5240731	Super Black*	A/R	
	5240732	Prussian Blue*	A/R	
	5240733	White	A/R	
	5240734	Orange*	A/R	
	5240735	Oxide Red*	A/R	
	5240736	Blue Black*	A/R	
	5240737	Deep Purple Blue	A/R	
	5240738	Fast Red	A/R	
	5240739	Fast Maroon	A/R	
	5240740	Fast Blue*	A/R	
	5240741	Fast Green*	A/R	
	5240742	Fast Violet	A/R	
	5240743	Fast Yellow	A/R	
	5240744	Ochre*	A/R	
	5240745	Middle Chrome*	A/R	
	5240746	Fast Green Gold	A/R	
	5240747	Reduced—Ochre	A/R	
	5240748	Reduced—Fast Blue	A/R	
	5240749	Reduced—Fast Green	A/R	
	5240750	Reduced—Blue Black	A/R	
	5240751	Reduced—Red Oxide	A/R	
	5240752	Extra-Fine-Silver	A/R	
	5240753	Fine-Silver	A/R	
	5240754	Bright Silver	A/R	
	5240755	Burnt Sienna	A/R	
	5240756	Permanent Brown	A/R	
	5240778	Fast Blue (Green Tone)	A/R	
ANCILLARY PRODUCTS (Paint)				
	5240695	Cellulose Red Primer— $\frac{1}{2}$ gallon	A/R	
	5240696	Grey Primer/Filler— $\frac{1}{2}$ gallon	A/R	
	5240697	Cellulose Grey—Stopper 7 lbs.	A/R	
	5240698	Cellulose Thinners—5 gallons	A/R	
	5240699	Cellulose Thinners—1 gallon	A/R	
	5240700	Half Hour Thinners—5 gallons	A/R	
	5240701	Half Hour Thinners—1 gallon	A/R	
	5240702	Smoothing Compound—6 lbs.	A/R	
	5240703	Metal Conditioner and Rust Remover—1 gallon	A/R	
	5240759	Paint Remover—1 gallon	A/R	

Publication No. 6600992

SECTION ZU

SPECIAL ACCESSORIES

SPECIAL ACCESSORIES

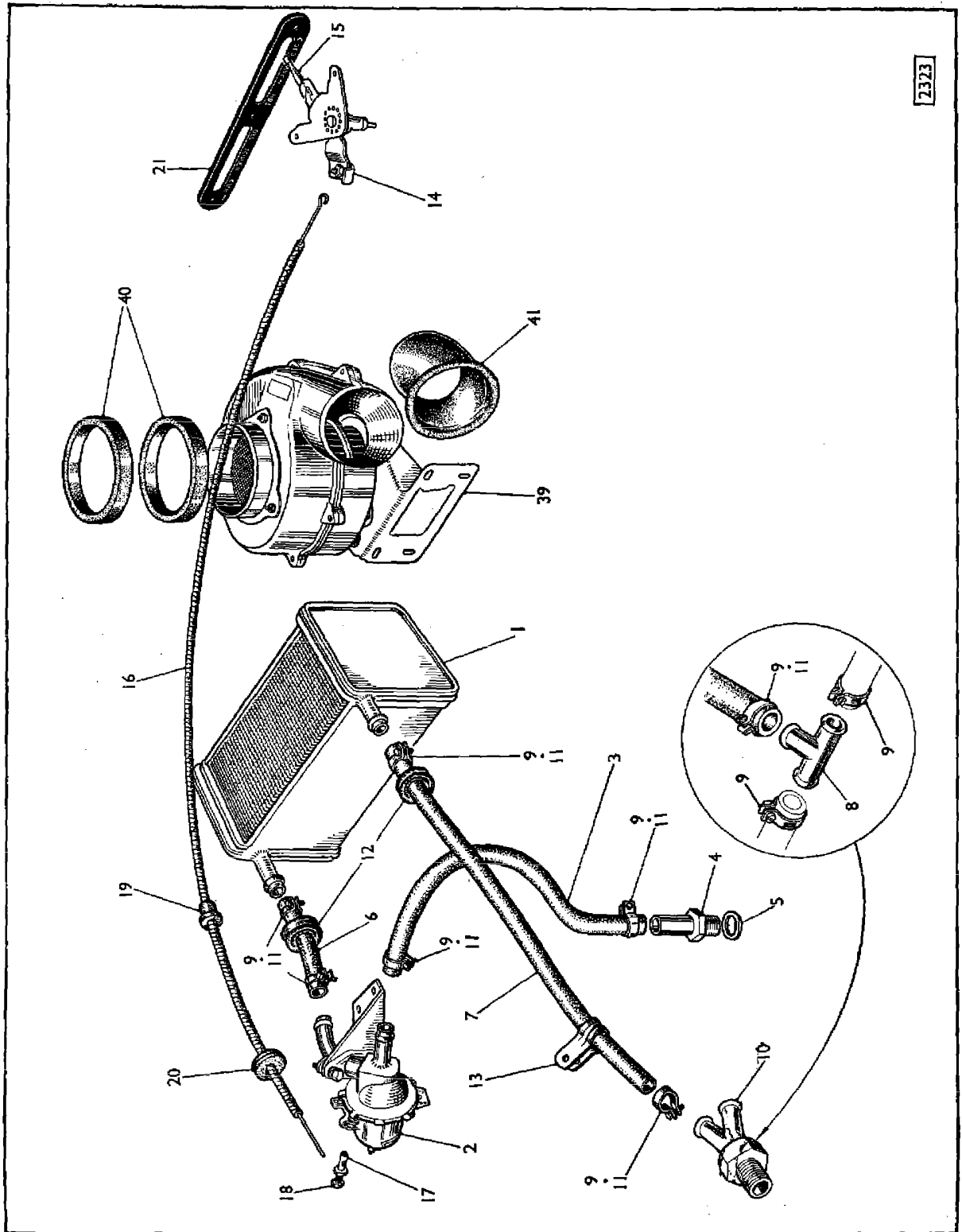


PLATE A—SECTION ZU

SPECIAL ACCESSORIES

2324/1

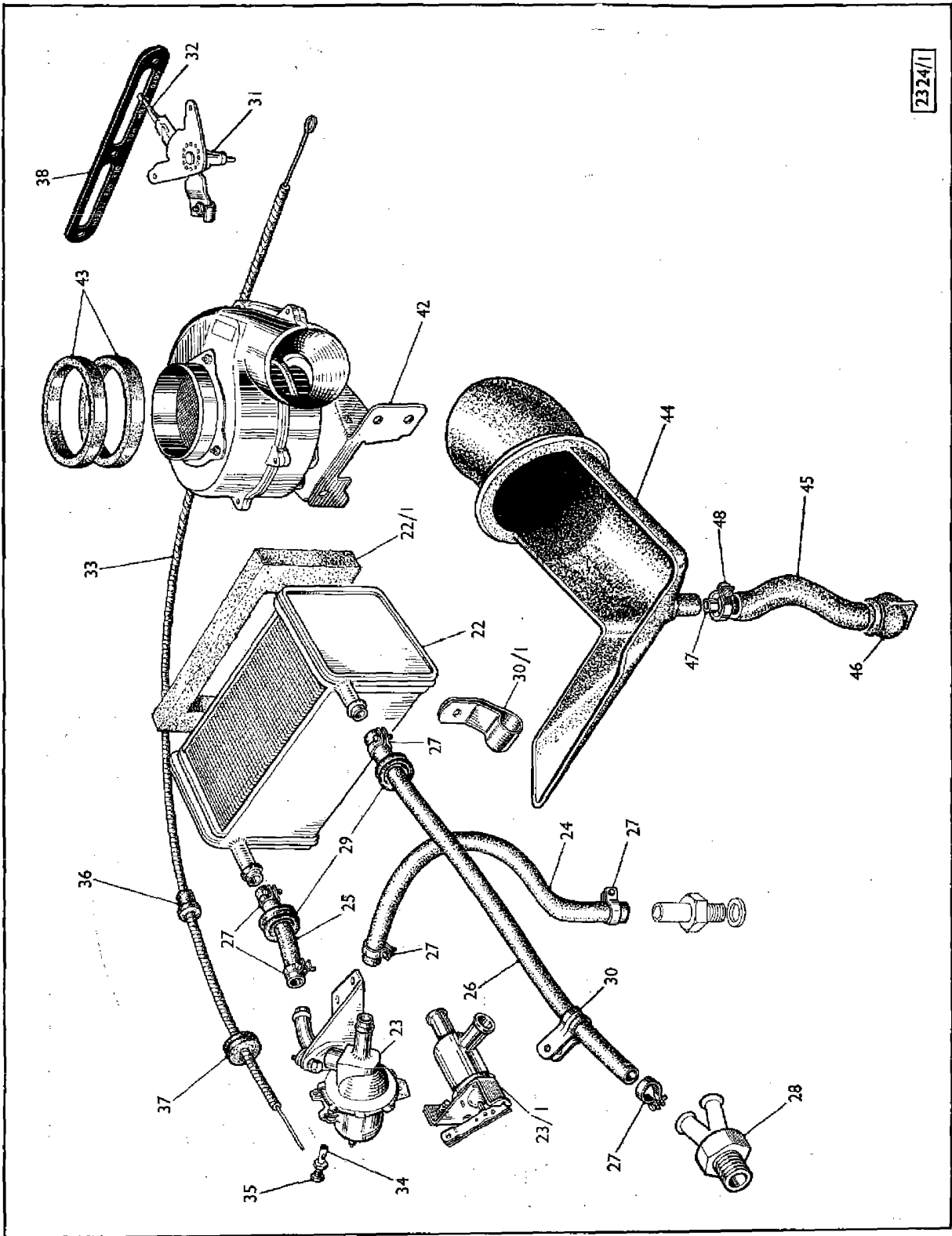


PLATE B — SECTION ZU

SPECIAL ACCESSORIES

Plate Ref.	Part Number	DESCRIPTION	No. per Veh.	REMARKS
HEATER AND DEMISTER				
Series I and II				
Note. Heater is Standard Fitment on Series II "Le-Mans"				
A1	1202166 s/d by 1224276	HEATER AND DEMISTER KIT	1	
A1	1201375	Heater unit	1	
A2	1201377 s/d by 1219570	Water valve c/w bracket	1	
	19503041	Bolt, No. 10 UNF. × 1/2" } Water valve	2	
	9663123	Washer, 3/8" shakeproof } to bulkhead	2	
A3	1201394	Hose—Water valve to cylinder head	1	
A4	9169001	Union—Hose to cylinder head	1	} Series I Early condition
A5	9078031	Washer—Union	1	
A6	1201395 s/d by 9166074	Hose—Water valve to heater	1	
A7	1201567 s/d by P.85798	Hose—Heater to water pump—29"	1	
	9166682 s/d by P.85798	Hose—Heater to water pump	1	
	9166669 s/d by P.85798	Hose—Heater to connecting tube	1	
	K.28759 s/d by 9169039	Connecting tube	1	
	9166669 s/d by P.85798	Hose—Connecting tube to "Y" piece	1	
	P.43225 s/d by 9788121	Clip—Hose	2	
A8	P.116691	T piece—Water pump	1	} Series I Early condition
A9	P.43225 s/d by 9788121	Clip—Hoses	8	
A10	1201564	Y piece—Water pump	1	} Series I Late condition and Series II
A11	P.43225 s/d by 9788121	Clip—Hoses	1	
A12	9117526	Grommet—Hoses through bulkhead	2	
A13	9179050	Clip—Hose to tappet cover	2	
A14	1201378 s/d by 1223546	Control assembly	1	
A15	K.24439	Knob	1	} Water valve
A16	1201379	Control cable	1	
A17	P.117479	Trunnion—Cable	1	
A18	9003006	Screw—Trunnion	1	
	19503032	Screw, No. 10 × 3/8"	2	} Control to facia
	9661123	Washer, 3/8" spring	2	
	5220700	Nut, No. 10 UNF.	2	
	9116020	Grommet } Control cable through	1	
A19	2211916	Grommet } bulkhead	1	Up to 2211916 From B9004951
A20	9116017	Grommet—Heater cable	1	
A21	2217128	Escutcheon—Heater controls (See Data 2G/247)	1	} From B9118780 R.H.D., B9118766 L.H.D.
	49252063	Screw, No. 8 × 3/8" } Escutcheon	3	
	9067011	Washer	4	
HEATER AND DEMISTER				
From Series III				
Note. Heater is Standard Fitment on G.T. (Home) also on Standard (Home) late Series V.				
	1206485 s/d by 1224276	HEATER AND DEMISTER KIT	1	Series III
	1224276	HEATER AND DEMISTER KIT	1	Series IV up to B9410000 BU, B94600000 CKD.
	1229674	HEATER AND DEMISTER KIT	1	From B94100001 BU, B94600001 CKD, up to intro. 1235691 From Series V
B22	1235691	HEATER AND DEMISTER KIT	1	
	1201375	Heater unit	1	

SPECIAL ACCESSORIES

Plate Ref.	Part Number	DESCRIPTION	No. per Veh.	REMARKS
		HEATER AND DEMISTER KIT—From Series III—continued		
		HEATER AND DEMISTER—continued		
B22/1	1235656	*Seal—Heater unit	1	From Series V
B23	1219570	Water valve c/w bracket	1	Up to intro. 1235665
	19503041	Screw, No. 10 UNF. × ½" } Water valve	2	
	9663123	Washer, ⅜" shakeproof } to bulkhead	2	
B23/1	1235665	Water valve	1	From Series V
		Water valve clip	2	Not supplied
	1235690 s/d by 2235422	Clip	2	
	19503042	Screw, No. 10 UNF. × ½"	2	
	9067094	Washer, ⅜" plain	2	From Series V
	9663123	Washer, ⅜" shakeproof	2	
	5220700	Nut, No. 10	2	
		* Note. Fitted on "260", B9473469, 491, 499, 500, 501, 504, 509, 510, 515 and 518 onwards except B9473524.		
B24	9166502 s/d by 9166510	Hose—Water valve to cylinder head	1	Up to B9403233
	9166510	Hose—Water valve to cylinder head	1	From B9403234 up to intro. P.85798
	P.85798	Hose—Water valve to cylinder head	1	From Series V
B25	9166074 s/d by P.85798	Hose—Water valve to heater	1	Up to intro. 1235677
	1235677	Hose—Water valve to heater	1	From Series V
B26	9166682 s/d by P.85798	Hose—"Y" piece to heater	1	Up to B9202757
	9166084 s/d by P.85798	Hose—"Y" piece to heater	1	From B9202758 up to intro. 1236409
	1236409	Hose—Engine to heater	1	From Series V
B27	P.43225 s/d by 9788121	Clip } Hoses	6	
	9788121	Clip } Hoses	6	
B28	1201564	"Y" piece—Water pump to heater and manifold	1	Up to Series V
B29	9117526	Grommet—Hose through bulkhead	2	
B30	9179050	Clip—Hose to valve cover	1	
B30/1	9179064	Clip—Hose to bulkhead	1	
	9773066	Screw, No. 8 × ⅜" } Clip to	1	From Series V
	9067094	Washer, ⅜" plain } bulkhead	1	
B31	1201378 s/d by 1223546	Control assembly }	1	Up to B94100000 BU,
	1223546	Control assembly }	1	B94600000 CKD.
B32	K.24439	Knob	1	
	1224399 s/d by 1235259	Control assembly } Water valve	1	From B94100001 BU,
	1224389 s/d by 1238829	Knob	1	B94600001 CKD. up to intro. 1235259
B33	1201379	Control cable }	1	Up to Series V
	1235259	Control assembly	1	From B94102520 up to Series V
	1235678	Control assembly	1	Series V
	1224389 s/d by 1238829	Knob	1	Series V up to intro 1238829
	1238829	Knob	1	From B395005214 Alpine V & B382001916 "260" and Tiger Series V
	1235679	Control cable	1	
B34	P.117479	Trunnion—Cable	1	
B35	9003006	Screw, No. 8 UNC. × ⅜"—Trunnion	1	

SPECIAL ACCESSORIES

Plate Ref.	Part Number	DESCRIPTION	No. per Veh.	REMARKS
		HEATER AND DEMISTER KIT—From Series III—continued		
		HEATER AND DEMISTER—continued		
	19503051	Screw, No. 10 UNF. × $\frac{1}{8}$ "	2	
	9660122	Washer, $\frac{3}{8}$ " spring	2	
	5220700	Nut, No. 10 UNF.	2	
B36	2211916	Grommet } Control cable through	1	
	9119574	Grommet } bulkhead	1	Alternative
B37	9116017	Grommet—Heater cable	1	
B38	2217130	Escutcheon	1	Series III
	2223121	Escutcheon	1	From Series IV
	9067011	Washer—Heater control	4	
		BLOWER KIT — Series I and II		
A39	1202168	BLOWER KIT	1	No longer available
A40	1201372	Sealing washer—Blower unit	2	
A41	1201373	Grommet—Blower to duct	1	
	9067015	Washer, $\frac{1}{2}$ " plain	4	
	9660161	Washer, $\frac{1}{2}$ " spring	4	
	9510040	Nut, $\frac{1}{2}$ " UNF.	4	
	19504042	Screw, $\frac{1}{2}$ " UNF. × $\frac{1}{2}$ "—Blower to crossmember	2	
		Blower switch		See Body Mounting section
		BLOWER KIT — From Series III		
B42	1206528 s/d by 1229614	BLOWER KIT	1	Up to B94101200
	1229614	BLOWER KIT	1	From B94101201
B43	1201372	Sealing washer—Blower unit	2	
B44	1206542	Drain trough and grommet	1	
B45	1206533	Drain tube	1	
B46	1206532	Valve	1	
B47	1206530	Sleeve } Drain tube	1	
B48	P.43225	Clip } ...	1	
	9067015	Washer, $\frac{1}{2}$ " plain	3	
	9660161	Washer, $\frac{1}{2}$ " spring	3	
	9510040	Nut, $\frac{1}{2}$ " UNF.	3	
	19504042	Bolt, $\frac{1}{2}$ " UNF. × $\frac{1}{2}$ "	3	
		Blower switch		See Body Mounting section up to B94101200
	1228981	Blower switch	1	From B94101201
	1229343	Plate—Blower switch	1	up to intro. B1229413
	1229413	Blower switch	1	
	1229343	Plate } Switch	1	From Series V
	1235821	Bezel } Switch	1	

SPECIAL ACCESSORIES

Plate Ref.	Part Number	DESCRIPTION	No. per Veh.	REMARKS
		MISCELLANEOUS		
	5220370	AIR CLEANER CONVERSION KIT	1	Series I and II
	1201425	Air cleaner	1	
	5037465	Centre bolt	1	
	5037466	Spring	1	
	9067404	Plain washer—Spring seating	1	
	9122201	Sealing washer	1	
	9122182	Rubber gasket	1	
	5037467	Filter element	1	
	1201502	s/d by 1218582 Clip—Cleaner to bracket	1	
	1201426	Support bracket—Air cleaner	1	
	19503041	Bolt, No. 10 UNF. × ½" } Support bracket	3	
	9663123	Washer, ⅜" shakeproof } to	3	
	5220700	Nut, No. 10 UNF. ... } wheelarch	3	
	1201428	Hose—Air cleaner to air box	1	
	9782461	Clip—Hose	2	
	1201429	Air box	1	
	9783381	Clip—Air box to carburetors	2	
	5102810	Metering jet (120)	2	
	5102795	By-pass valve (77)	2	
	K.27803	s/d by 5037776 Economy diaphragm	2	
	K.27804	Spring	2	
	K.24718	Gasket } Diaphragm	4	
	K.26433	Cover	2	
	9050005	Screw, special } Cover to	6	
	9660101	Washer, ⅜" spring } float chamber	6	
	2219987	ANTI-CONDENSATION PANEL (24" × 10")	1	
	2225303	ANTI-CONDENSATION PANEL (35" × 13½")	1	
	5220146	AMMETER KIT	1	Series I and II
	1223648	AMMETER KIT	1	} Series III and IV
	1223605	Ammeter	1	
	1236429	AMMETER KIT—R.H.D.	1	} From Series V
	1236443	AMMETER KIT—L.H.D.	1	
	1235776	Ammeter	1	
	1216602	AUXILIARY LAMP—Driving	1	} For details see page ZU9
	1216603	AUXILIARY LAMP—Fog	1	
	1800381	Single flick switch	1	
	1800176	Double flick switch	1	
	1201420	s/d by 2236185 BADGE BAR	1	Mounted on 1201417
	19005070	Bolt, ⅝" BSF. × ⅜"	4	
	9067022	Washer, ⅜" plain	4	
	9664203	Washer, ⅜" shakeproof	4	
	9600051	Nut, ⅜" BSF.	4	
	2236185	BADGE BAR	1	} Alternative
	2236186	KIT—Lamp bracket	1	
	2223143	Screw—Special	1	
	2226525	FIXING KIT—Badge bar	1	

SPECIAL ACCESSORIES

Plate Ref.	Part Number	DESCRIPTION	No. per Veh.	REMARKS
		MISCELLANEOUS—continued		
	H.101100	BADGE CLIP (Screw fixing)	A/R	
	H.101101	BADGE CLIP (Pillar stud fixing)	A/R	
	1219510	BATTERY CHARGER	1	
	5041438	Fuse—Battery charger (Short)	1	
	5042266	Fuse—Battery charger (Long)	1	
	1201417	BRACKET—Mounting Badge Bar and Driving Lamp—Extension bracket	1	
	19108113	Bolt, $\frac{1}{4}$ " UNF. \times $1\frac{3}{8}$ "—Bracket to frame	2	
	2201416	BONNET FLASH	1	
	9206504	Spire nut—Flash to bonnet	3	
	2513082	BOOT FLOOR MAT	1	Series I and II
	1210393	BOOT LAMP KIT	1	No longer available
		BRUSH-ON PAINTS		
	5110900	Thistle grey	A/R	
	5110897	Glen Green	A/R	
	5110895	Embassy black	A/R	
	5110908	Metallic grey	A/R	
	5110899	Lake blue	A/R	
	5110909	Midnight blue	A/R	
	5110913	Seacrest green	A/R	
	5110912	Carnival red	A/R	
	5110905	Moonstone	A/R	
	5110911	Wedgewood blue	A/R	
	5110925	Autumn gold (metallic)	A/R	
	5110931	Quartz blue (metallic)	A/R	
	5110935	Light green (metallic)	A/R	
	5110938	Balmoral grey	A/R	
	5110946	Forest green	A/R	
	5110909	Midnight blue	A/R	
	5110964	Mediterranean Blue	A/R	
	5110949	Arctic White	A/R	
	5115598	Orchid green	A/R	
	5115599	Polar White	A/R	
	1215413	s/d by 1236757 BRAKE SERVO KIT	1	
	5040220	Servo unit	1	
		Note. A replacement Servo Unit is available in part exchange for the original.		
	5040223	Support bracket } Servo	1	Series I and II
	5040222	Steady bracket } unit	1	
	19605051	Screw, $\frac{5}{16}$ " UNC. \times $\frac{5}{8}$ "	2	
	19505051	Screw, $\frac{5}{16}$ " UNF. \times $\frac{5}{8}$ " } Servo bracket	3	
	9067024	Washer, $\frac{5}{16}$ " plain ... } fixing	1	
	9067486	Washer, $\frac{5}{16}$ " plain ... }	3	

SPECIAL ACCESSORIES

Plate Ref.	Part Number	DESCRIPTION	No. per Veh.	REMARKS
		MISCELLANEOUS—continued		
		BRAKE SERVO KIT—continued		
9661201		Washer, $\frac{1}{8}$ " plain	6	} Series I and II
5220701		Nut, $\frac{1}{8}$ " UNF. } fixing	4	
9166524		Vacuum hose—Manifold to servo	1	
9782121		Hose clips	2	
		Manifold adaptor	(Not supplied)	
5040240		Connection—Vacuum hose to manifold	1	
5039756	s/d by K.21836	Sealing cup (rubber)	1	
9169024		Connection—Vacuum hose to Servo	1	
9160672		Hydraulic pipe assembly, 36" long	1	
9160696		Hydraulic pipe assembly, 48" long	1	
9217318		Adaptor, $\frac{1}{4}$ " UNF.	1	} No longer available
9159232		Banjo	1	
9159520		Bolt, $\frac{1}{4}$ " UNF.—Banjo } Hydraulic pipes	1	
9077037		Copper washer (large)	1	
9077030		Copper washer (small)	1	
9178662		Clip—Pipes	5	
5220054	s/d by 1224171	CIGAR LIGHTER KIT	1	
5030170		Knob and Element	1	
5030171		Element	1	
5038033		Pop-out unit	1	
5037032		Element	1	
5037033		Knob	1	
2513362		COCKPIT COVER } R.H.D.	1	} Series I and II
5240286		COCKPIT COVER } L.H.D.	1	
2513363	s/d by 5240287	COCKPIT COVER—L.H.D.	1	
5240244		Zip fastener	1	} Up to B9107903 From B9107904 up to Series III
9128049		Stud fastener } Screen	2	
9128048		Stud fastener } pillar	2	
9128048		Stud fastener—"B" post glovebox and trunk lid channel } Cockpit cover to Body	5	
9663123		Washer, $\frac{1}{8}$ " shakeproof	5	} Series I and II
9600521		Nut, 2 BA.	5	
2227916		COCKPIT COVER—R.H.D.	1	} Series III and IV up to B94100000 BU, B94600000 CKD.
5112282		COCKPIT COVER (Black) } L.H.D.	1	
5112283		COCKPIT COVER (White) } L.H.D.	1	
2234710		COCKPIT COVER—R.H.D.	1	} From B94100001 BU, B94600001 CKD up to Series V
5114080		COCKPIT COVER (White) } L.H.D.	1	
5114081		COCKPIT COVER (Black) } L.H.D.	1	
2234710		COCKPIT COVER—R.H.D.	1	} From B395000001 BU, B395900001 CKD
5116232		COCKPIT COVER (Black) } L.H.D.	1	
5116233		COCKPIT COVER (White) } L.H.D.	1	
		Note. For details see Body Fittings section.		

SPECIAL ACCESSORIES

Plate Ref.	Part Number	DESCRIPTION	No. per Veh.	REMARKS
		MISCELLANEOUS—continued		
		COMPETITION KITS		
		Engine tuning kit—Stage I (Not supplied)		Series II
	1208620	Camshaft	1	
	P.103613 s/d by P.118772	Thrust plate	1	
	1215139	Distributor	1	
	1216047	Distributor	1	
	5040360	Moulded cover (vertical outlet)	1	
	5220172	Nut—Cover	5	
	K.22438	Carbon and spring	1	
	5037524	Clip—Moulded cover	2	
	K.25986	Contact set	1	
	K.24988	Rotor arm	1	
	K.25987	Condenser	1	
	5037545	Vacuum unit	1	
	P.107014	Pinion	1	
	9227047	Sparking plugs (Set of 4)	1	
	9803045	Plug—Cylinder head	1	
	9077039	Washer	1	
	9805031	Plug—Water pump	1	
	5102807	Metering—Main jet	2	} * See note
	5039275	Main discharge tube	2	
	5109683	High speed bleed	2	} * See note
	K.26431	Return spring—Rear carburettor choke lever	1	
	5107836	Choke	2	} * See note
	5039274	Blanking plug	2	
	5040130	Blanking plates	2	
	K.24718	Diaphragm gasket	2	
	1208711	Air cleaner	2	
	1206312 s/d by 6600960	Instructions—Competition tuning kit	1	
		* Note. The following items are required on vehicles after B9117424 in place of items listed.		
	5102814	Metering—Main jet	2	
	5111969	Main discharge tube	2	
	5109685	High speed bleed (size 50)	2	
	5107837	Choke	2	
	5102839	Pump jet	2	
	K.26387	Needle seat	1	
		Engine tuning kit Stage II ("U.S.A." only)		} Not supplied
		Engine tuning kit Stage II (Except "U.S.A.")		
	1208623	Flywheel (Except "U.S.A.")	1	
	1800247	Clutch cover	1	
	5040147	Thrust spring (Brown)—Clutch	9	
	5038988	Release lever	3	
	1800259	Clutch driven plate	1	
	1206317	Torque restrictor arm	1	
	P.113421	Torque restrictor rubber	1	
	9067037	Washer, plain	1	
	9664242	Washer, shakeproof } Torque restrictor rubber	2	
	5220703	Nut	2	
	1206312 s/d by 6600960	Instructions—Competition tuning	1	

SPECIAL ACCESSORIES

Plate Ref.	Part Number	DESCRIPTION	No. per Veh.	REMARKS
		MISCELLANEOUS—continued		
		COMPETITION KITS—continued		
		Note. Engine Oil Cooler is standard fitment on Series II "Le-Mans".		
		Engine oil cooler kit (Not supplied)		Series II
	1201366	Adaptor plate—Cylinder block	1	
	9152007 s/d by 9152002	Union—Adaptor plate	2	
	9077616 s/d by 5220713	Washer—Union	2	
	1207973	Joint—Adaptor plate	2	
	19105221	Bolt—Filter and adaptor plate	4	
	1201367	Oil cooler	1	
	19004045	Bolt, 1/4" x 1/2" BSF.	4	
	9067015	Washer, 1/4" plain	4	
	9664162	Washer, 1/4" shakeproof	4	
	9600041	Nut, 1/4" BSF.	4	
	1201368	Support bracket—Oil cooler	2	
	19004045	Bolt, 1/4" BSF. x 1/4"	4	
	9664162	Washer, 1/4" shakeproof	4	
	9600041	Nut, 1/4" UNF.	4	
	1201369	Hose—Filter to cooler	1	
	1201370	Hose—Cooler to engine	1	
		Chassis tuning kit (Not supplied)		Series II
	1206310	Spring—Front	2	
	1206311	Anti-roll bar—Front	1	
	1206301	Rubber—Roll bar	4	
	1206306	Shock absorber—Rear, O/S (R.H.)	1	
	1206307	Shock absorber—Rear, N/S (L.H.)	1	
	1206312 s/d by 6600960	Instructions—Competition tuning kit	1	
	1206319 s/d by 5039424	Brake kit	1	Series II
	5039424	Friction pads (Set of 4)	1	
	5039425	Brake shoes (Pair)	2	
	5040142	Brake shoe lining (Set of 4)	1	
		Axle kit (Disc Wheels)—17 splines (Not supplied)		Series II
	5220527	Axle shaft—(17 splines)	2	
	9213033	Key	2	
	1215287 s/d by 1216507	Hub assembly	2	
	1216507 s/d by 1216945	Hub assembly	2	
	1216504	Wheel bolt	8	
		Axle kit (Disc Wheels)—25 splines (Not supplied)		Series II
	5220587	Axle shaft (25 splines)	2	
	9213033	Key	2	
	1216507 s/d by 1216945	Hub assembly	2	
	1216504	Wheel bolt	8	
		Axle kit (Disc Wheels)—25 splines (Not supplied)		Series II
	5220587	Axle shaft	2	
	9213033	Key	2	
	1216945	Hub assembly—Rear	2	
	1216504	Wheel bolt—Rear	8	
	1216504	Wheel bolt—Front	8	
	1216408	Nut—Wheel bolt—Front and rear	16	
	1218007	Wheel brace	1	

SPECIAL ACCESSORIES

Plate Ref.	Part Number	DESCRIPTION	No. per Veh.	REMARKS
		MISCELLANEOUS—continued		
	5220273 s/d by 1216602	DRIVING LAMP c/w CARRIER	2	Series I & II (See Data 5/22)
	5037425	Glass (Lens) c/w cowl	2	
	5037426	Bezel—Glass (Lens)	2	
	5037427	Seating gasket—Glass (Lens)	2	
	5037428	Bulb, 12 volt, 48 watt	2	
	1201418	*Lamp carrier—Driving lamp	2	Mounted on 1201417
	19005070	*Bolt, $\frac{5}{16}$ " BSF, $\times \frac{7}{8}$ "	4	
	9067022	*Washer, $\frac{5}{16}$ " plain	4	} Lamp carrier to mounting bracket
	9664203	*Washer, $\frac{5}{16}$ " shakeproof	4	
	9600051	*Nut, $\frac{5}{16}$ " BSF.	4	
	5220643 s/d by 1216602	DRIVING LAMP KIT	1	From Series III (See Data 5/22)
	5037382	Reflector and glass unit	1	
	5037385	Bulb, 12 volt—Driving lamp	1	
	1201418	*Lamp carrier	1	Mounted on 1201417
	19005070	*Bolt, $\frac{5}{16}$ " BSF, $\times \frac{7}{8}$ "	2	
	9067022	*Washer, $\frac{5}{16}$ " plain	2	} Extension bracket to mounting bracket
	9664203	*Washer, $\frac{5}{16}$ " shakeproof	2	
	9600051	*Nut, $\frac{5}{16}$ " BSF.	2	
	5220644 s/d by 1216603	FOG LAMP KIT	1	From Series III (See Data 5/22)
	5037383	Reflector and glass unit	1	
	5037386	Bulb, 12 volt—Fog lamp	1	
	1201418	†Lamp carrier	1	Mounted on 1201417
	19005070	†Bolt, $\frac{5}{16}$ " BSF, $\times \frac{7}{8}$ "	2	
	9067022	†Washer, $\frac{5}{16}$ " plain	2	} Extension bracket to mounting bracket
	9664203	†Washer, $\frac{5}{16}$ " shakeproof	2	
	9600051	†Nut, $\frac{5}{16}$ " BSF.	2	
		Note. For initial fitting 5220276 Switch Kit (Series I, II & III) 1800381 Switch from Series IV and 1201417 Bracket are also required.		
		†Note. Not supplied with 1216603.		
	5220274 s/d by 1228949	ELECTRIC CLOCK	1	
	5220381 s/d by 1228949	ELECTRIC CLOCK	1	Series I and II
	5220673 s/d by 1228949	ELECTRIC CLOCK	1	
	1228949	ELECTRIC CLOCK	1	Series III and IV
	1235815	ELECTRIC CLOCK	1	From Series V
	9227125	Electric clock feed	1	Series III
		EXTERIOR MIRROR		Not supplied
	P.48790	FIRE EXTINGUISHER (single jet, 8 fl. ozs.)	1	
	1800589	FIRE EXTINGUISHER	1	
	2212925	FIRE EXTINGUISHER (twin jet, 16 fl. ozs.)	1	
	2219401 s/d by 1219506	GEAR LEVER LOCK KIT	1	Series II
	1215429 s/d by 1219506	Gear lever lock	1	
	2219402	Grommet—Gear lever	1	
	1215432	Screw, special, No. 10 UNF. $\times \frac{1}{4}$ "	4	

SPECIAL ACCESSORIES

Plate Ref.	Part Number	DESCRIPTION	No. per Veh.	REMARKS
	1219506	MISCELLANEOUS—continued GEAR LEVER LOCK KIT	1	Series III and IV up to 1229529 From B94100001 BU, B94600001 CKD.
	1219507	Gear lever lock	1	
	2219402	Grommet—Gear lever	1	
	1215432	Screw, special, No. 10 UNF. × ½"	4	
	1229529	GEAR LEVER LOCK KIT	1	
	2237733	Cover—Key	1	
	1229530	Gear lever lock	1	
	2223834	Grommet—Gear lever	1	
	1215432	Screw, special, No. 10 UNF. × ½"	4	
		Note. The above Gear Lever Locks are standard fitting for Germany.		
	2201499 s/d by 2239538	†HARDTOP COMPLETE	1	Series I and II. Not supplied Series III and IV up to 2228979 From B94100001 BU, B94600001 CKD.
	2207886	†HARDTOP COMPLETE	1	
	2220740 s/d by 2239538	†HARDTOP COMPLETE	1	
	2228979 s/d by 2239538	†HARDTOP COMPLETE	1	
	2239538	†HARDTOP COMPLETE † Note. For detail components see Body Fittings.	1	
	5240134	INTERIOR CLEANER	A/R	
	2214729	INTERIOR SUN VISOR KIT (Set of 2)	1	Series I and II
	2223765 s/d by 2236375	INTERIOR SUN VISOR KIT (Vynair)	1	
	2227917 s/d by 2236375	INTERIOR SUN VISOR KIT (VT1233) } Alternatives	1	From Series III
	2236375	INTERIOR SUN VISOR KIT (VT1233) }	1	
	2225773	Sun visor (Vynair) (No longer available)	2	
	2227711 s/d by 2235235	Sun visor (VT1233)	2	
	2235235	Sun visor (VT1233)	2	
	2223759	Hinge bracket—Centre	1	
	2223762	Hinge bracket—R.H.	1	
	2223763	Hinge bracket—L.H.	1	
	9763068	Screw, No. 8 × ½"	4	
	2201303 s/d by 2214710	LUGGAGE GRID	1	
	2214710	LUGGAGE GRID	1	
	2214712	Foot support	4	
	2229913	Luggage grid claw	A/R	
	2233229	MUDFLAP KIT	1	Series IV
	H.111728	MULTI PURPOSE CUSHION	A/R	No longer available
	1207928	MULTI PURPOSE TYRE INFLATOR KIT	1	No longer available
	2214858	MAP POCKET KIT—LAKE BLUE	1	
	2207887	MAP POCKET KIT—SCARLET	1	
	2207888	MAP POCKET KIT—BLACK	1	

SPECIAL ACCESSORIES

Plate Ref.	Part Number	DESCRIPTION	No. per Veh.	REMARKS
		MISCELLANEOUS—continued		
	7105063	MONOPLUG KIT	1	
	7080162	Plug	A/R	
	P.103989 s/d by 1228356	PETROL (Fuel) TANK LOCKING CAP	1	Series I and II
	5240133	POLISH—LIQUID	A/R	
	1215396	PARKING LIGHT	1	
	K.26785	Bulb, 12 volt, 2-2 watt	1	
	1201363	RADIATOR BLIND	1	No longer available
		REAR SEAT CUSHION		
	5240144	Black	2	No longer available
	5240245	Scarlet	2	
	5240288	Blue	2	
	5240244	Zip fastener	1	
	5220149 s/d by 1229729	REVERSE LAMP KIT	1	Series I and II
	1201470	Reverse lamp—R.H.	1	
	1201471	Reverse lamp—L.H.	1	
	1800253	Switch	1	
	P.112542 s/d by 9071126	Washer—Switch	1	
	2224367 s/d by 1229729	REVERSE LAMP KIT	1	Series III and IV up to 1229729
	1800253	Switch	1	
	P.112542 s/d by 9071126	Washer—Switch	1	
	1229729	REVERSE LAMP KIT	1	Series IV from B94100001 NU, B94600001 CKD up to B395013357 Std., B395013398 G.T. and B395013451 U.S.A. & Canada, Tiger Mk. I
	7105102	Reverse lamp	1	
	5041050	Lens and rim	1	
	5043462	Bulb, 12 volt	1	
	1800253	Switch	1	
	P.112542 s/d by 9071126	Washer—Switch	A/R	
		REAR VISION MIRRORS		
	H.119754	O/S (R.H.) } Door	A/R	No longer available
	H.119755	N/S (L.H.) }	A/R	
	2215790	Convex } Wing (Fender)	A/R	
	2213449	Flat ... } or door	A/R	
	H.111727	Convex—Straight stem	A/R	
	5037079	Mirror head	A/R	
	5240132	Convex—Curved stem	A/R	
	2213127	Convex—Continental ... } Rebound type	A/R	
	5042675	Mirror head (Convex glass) } wing (fender)	A/R	
	2213410	Flat—Continental	A/R	
	5042676	Mirror head (Flat glass)	A/R	
	2227520	Convex—R.H.—Standard	A/R	
	2227522	Convex—Continental (Adjustable stem) (Rebound type)	A/R	
	5042675	Mirror head (Convex glass)	A/R	

SPECIAL ACCESSORIES

Plate Ref.	Part Number	DESCRIPTION	No. per Veh.	REMARKS
		MISCELLANEOUS—continued		
		REAR VISION MIRRORS—continued		
2233826		Convex—Continental	A/R	
2233827		Convex—Straight stem	A/R	
2233828		Convex—Continental	A/R	
2233829		Convex—Standard	A/R	
2233830		Convex—Curved stem	A/R	
2233831		Convex—Straight stem	A/R	} Rebound type wing (fender) ...
2233832		Convex—Standard	A/R	
2233833		Convex—Continental	A/R	
2233834		Convex—Standard	A/R	
2233835		Convex—Curved stem	A/R	
2233836		Convex—Straight stem	A/R	
2236395		Flat (Type R8)	A/R	
2236396		Flat (Type S9)	A/R	
2236397		Flat (Type S6)	A/R	
2227557		Panoramic—Rebound type wing (fender)	A/R	Sweden only (No longer available)
2227519		Extension arm—Caravan/Trailer towing	A/R	For use with 2227520/22
9221200		SUMP PLUG SPANNER	1	
2236072		STEERING WHEEL GLOVE (Tan)	1	
2236073		STEERING WHEEL GLOVE (Black)	1	
5220276		SWITCH KIT—DRIVING AND FOG LAMPS	1	} Series I, II and III
1046563		Switch	1	
1201527		Escutcheon—Switch	1	
1046563		SWITCH—Driving and Fog lamps	1	} Series IV
1800381		SWITCH—Driving and Fog lamps } Alternatives	1	
2236478		SPEED (Flat Glass) WING MIRROR	A/R	} From Series IV
2236479		SPEED (Convex Glass) WING MIRROR	A/R	
H.111777		SAFETY BELT—LAP STRAP	2	Series I and II
2219428		SAFETY BELT KIT—3 POINT	1	} Series II (No longer available)
2219124		Reinforcement plate	1	
2223525	s/d by 2235321	SAFETY BELT KIT—LAP STRAP	1	} Series III, IV and V
2235321		SAFETY BELT KIT—LAP STRAP	1	
2223522	s/d by 2243571	SAFETY BELT KIT—3 POINT	1	
2243571		SAFETY BELT KIT—LAP DIAGONAL	1	Series V
2225957		Safety belt harness hook	1	
9762145		Tapping screw—Fixing hook	2	
2235181		Screw—Special, 7/8"	A/R	
2243568		SAFETY BELT KIT—LAP DIAGONAL	1	
2237732		Stowage hook—Safety belt	1	
2244530		SAFETY BELT—Outer	2	} Black
2244532		SAFETY BELT—Inner	2	
2245656		Bolt—Special, 1/8" UNF.	2	} Quarter panel anchorage
2244522		Bolt—Special, 3/8" UNF.	2	

SPECIAL ACCESSORIES

Plate Ref.	Part Number	DESCRIPTION	No. per Veh.	REMARKS
		MISCELLANEOUS—continued		
	1201381 s/d by 1201615	SCREEN WASHER KIT	1	
	1201615	SCREEN WASHER KIT	1	Series I and II
	1201388	Container	1	Part of 1201381
	1202164	Container	1	Part of 1201615
		Bracket—Container		Not supplied
	9734086	Screw, No. 10 × 1/4"—Bracket to body	2	
	1201389 s/d by 1228662	Control assembly	1	
	P.43555	Hose—Control to container, 70"; control to jet, 20"; and control to jet, 41"	A/R	
	2201504	Jet—Screen washer	2	
	9116104 s/d by 9116014	Grommet—Bulkhead	1	
	1217831	SCREEN WASHER KIT (Instant) (No longer available)	1	Series I and II
	5041041	Tee connection	1	
	5041042	Double jet assembly	1	
	P.43555	Plastic hose	A/R	
	P.86109	Rubber hose	A/R	
	1224441	STARTING HANDLE	1	Series V
	1215925 s/d by 1800515	TOOL KIT	1	
	1800515	TOOL KIT	1	
	5220127	UNDER BONNET LAMP KIT	1	No longer available
	1046619	Lamp	1	
	5037424	Glass (Lens)	1	
	K.26795	Bulb, 12 volt, 6 watt	1	
		Bracket—Lamp		Not supplied
	39313061	Screw, No. 10 UNF. × 3/8" } Lamp to	2	
	5220700	Nut, No. 10 UNF. ... } bracket	2	
	P.45208	Switch—Lamp	1	
		Bracket—Switch		Not supplied
	9664203	Washer, 3/8" shakeproof } Switch to	1	
	5220701	Nut, 1/4" UNF. ... } bracket	1	
	5105900	WHITEWALL TYRE TRIMS (Set of 4)		No longer available
	2227825	WHEEL BRACE (Standard Road Wheels)	1	Series III and IV

SPECIAL ACCESSORIES

Plate Ref.	Part Number	DESCRIPTION	No. per Veh.	REMARKS

Publication No. 6600992

SECTION ZV

TOOLS

TOOLS

Plate Ref.	Part Number	DESCRIPTION	No. per Veh.	REMARKS
	P.100976 s/d by 1219610	Tool roll	1	
	1219610	Tool roll	1	
	P.113516	Wheel brace	1	
	P.45610	Grease gun	1	No longer available
	1201342	Lifting jack	1	Up to B395000595
	5220473	Lifting jack	1	From B395000596
	P.49330	Distributor key	1	
	P.42165	Tyre valve key	1	
	9222123	Valve and spark plug gauge	1	
	P.79758	Screwdriver	1	
	P.79756	Pliers	1	
	P.41399	Spanner—Adjustable	1	
	9221515	Spanner (box)—Sparking plugs	1	
	P.53782	Tommy bar—Box spanner	1	
	9221020	Spanner, $\frac{1}{2}$ " \times $\frac{7}{8}$ " UNF.	1	
	9221021	Spanner, $\frac{1}{2}$ " \times $\frac{3}{4}$ " UNF.	1	
	9221024	Spanner, $\frac{7}{8}$ " (bolt) \times $\frac{1}{2}$ " UNF.	1	
	9221025	Spanner, $\frac{7}{8}$ " (nut) \times $\frac{1}{16}$ " (bolt) UNF.	1	
	1201332 s/d by 1224441	Starting handle	1	Up to 1224441
	1224441	Starting handle	1	From B94100001 BU, B94600001 CKD up to Series V
	P.102286	Nave plate extractor	1	
	1201623 s/d by 1206425	Hammer (Copper and nylon)	1	
	1206068 s/d by 1206425	Hammer (Double headed copper)	1	
	1206425	Hammer (Alloy)	1	For use with "Ear" type hub nuts
	1206003	Spanner	1	

TOOLS

Plate Ref.	Part Number	DESCRIPTION	No. per Veh.	REMARKS

SECTION ZW

REPLACEMENT SERVICE UNITS

This section lists collectively the units and components which are serviced by the Rootes Replacement Service Scheme in the Home Market.

Units or components which are the subject of original manufacturers' exchange schemes (e.g., Lucas Electrical Units) are not included.

REPLACEMENT SERVICE UNITS

Plate Ref.	Part Number	DESCRIPTION	No. per Veh.	REMARKS
		Section A — Engine (Motor)		
	5220104	Engine (Motor) Unit	...	
	5220337 s/d by 5220615	Engine (Motor) Unit	...	
	5220485 s/d by 5220615	Engine (Motor) Unit	...	
	5220615	Engine (Motor) Unit	...	
	5220631	Engine (Motor) Unit	...	
	5220741	Engine (Motor) Unit	...	
	5220817	Engine (Motor) Unit	...	
	5220800	Engine (Motor) Unit	...	
	5220813	Engine (Motor) Unit	...	
	5220906 s/d by 5220910	Engine (Motor) Unit	...	
	P.106976 s/d by 1206876	Flywheel and starter ring (Gear)	...	
	1206876	Flywheel and starter ring (Gear)	...	
	1214622	Flywheel and starter ring (Gear)	...	
	1218764 s/d by 5221271	Flywheel and starter ring (Gear)	...	
	1208623	Flywheel and starter ring (Gear)	...	
	P.107857 s/d by 1206893	Oil pump unit	
	1206893	Oil pump unit	
	1206937	Oil pump unit	
	1238013 s/d by 5044739	Oil pump unit	
	P.48726 s/d by P.106963	Water pump unit	...	
	P.106963	Water pump unit	...	
	1206900 s/d by 1214754	Water pump unit	...	
	1214754	Water pump unit	...	
		Section B — Petrol (Fuel) Pump		
	1046803	Petrol (Fuel) pump	...	
	1235900 s/d by 1238591	Petrol (Fuel) pump	...	
		Section F — Clutch and Controls		
	1046593	Clutch cover assembly	...	
	1800247	Clutch cover assembly	...	
	1800016	Clutch cover assembly	...	
	1800598 s/d by 5058630	Clutch cover assembly	...	
	1800749 s/d by 1801565	Clutch cover assembly	...	
	1046594	Clutch driven plate	...	
	1800259	Clutch driven plate	...	
	1800747 s/d by 1801562	Clutch driven plate	...	
	1800761 s/d by 1801562	Clutch driven plate	...	
	1801180 s/d by 1801562	Clutch driven plate	...	
	K.20720	Clutch release bearing and cup	...	
	1800600	Clutch release bearing and cup	...	
	1045233	Clutch release bearing and cup	...	
	P.109952 s/d by 5040361	Clutch slave cylinder	...	
	5040361	Clutch slave cylinder	...	
	1203562	Clutch slave cylinder	...	
	1223552	Clutch slave cylinder	...	
	1202931	Clutch master cylinder	...	
	1201610	Clutch master cylinder	...	
	1206073	Clutch master cylinder	...	
	1217883	Clutch master cylinder	...	
	1223838	Clutch master cylinder	...	
	1228985	Clutch master cylinder	...	
		Section H — Automatic Gearbox (Transmission) Unit		
	1223662	Transmission unit	...	
	5039891	Valve block complete	...	
	5039802	Convertor Assembly	...	

REPLACEMENT SERVICE UNITS

Plate Ref.	Part Number	DESCRIPTION	No. per Veh.	REMARKS
Section J — Overdrive Unit				
	1200440 s/d by 1223665	Overdrive unit		
	1205031 s/d by 1223665	Overdrive unit		
	1207505 s/d by 1223665	Overdrive unit		
	1214331 s/d by 1223665	Overdrive unit		
	1218080 s/d by 1223665	Overdrive unit		
	1218081 s/d by 1223666	Overdrive unit		
	1223665	Overdrive unit		
	1223666	Overdrive unit		
Section M — Front Suspension				
	1201266	Shock absorber		
	5220811	Shock absorber		
Section Q — Brakes and Controls				
	5037683 s/d by 5058299	Brake shoe c/w lining (Pair)		
	5039425	Brake shoe c/w lining (Pair) } Rear		
	5044325 s/d by 5058303	Brake shoe c/w lining (Pair) }		
	1201260 s/d by 1206486	Caliper		
	1206224 s/d by 1206486	Caliper		
	1206486 s/d by 5043689	Caliper } O/S (R.H.)		
	1206254 s/d by 5043687	Caliper		
	5043687	Caliper		
	1201261 s/d by 1206487	Caliper		
	1206225 s/d by 1206487	Caliper		
	1206487 s/d by 5043690	Caliper } N/S (L.H.)		
	1206255 s/d by 5043688	Caliper		
	5043688	Caliper		
	5037343	Friction pads		
	5039424	Friction pads		
	5041087	Friction pads		
	5044372 s/d by 5058302	Friction pads		
	1201339	Master cylinder		
	1206072	Master cylinder } R.H.D.		
	1206366	Master cylinder }		
	5040220	Servo unit		
	1206368 s/d by 1228657	Servo unit		
	1228657	Servo unit		
Section R — Steering and Controls				
	1201274 s/d by 1201684	Steering unit		
	1201684	Steering unit		
	1201666 s/d by 1206262	Steering unit } R.H.D.		
	1206088 s/d by 1206262	Steering unit }		
	1206262	Steering unit }		
	1206390 s/d by 1239026	Steering unit }		
Section S — Rear Suspension				
	1201466	Rear spring		
	1206036	Rear spring		
	1206585	Rear spring		
	1223892	Rear spring		
	1201270	Shock absorber, O/S (R.H.)		
	1201271	Shock absorber, N/S (L.H.) } c/w link		
	1206130	Shock absorber, O/S (R.H.) }		
	1206131	Shock absorber, N/S (L.H.) }		
	5220764	Shock absorber } c/w fixings		
	5220809	Shock absorber }		
Section X — Body Mounting				
	2201290	Bumper bar (Front)		
	2243220	Bumper bar (Rear)		

Publication No. 6600992

SECTION ZX

PARTS AND SERVICE PUBLICATIONS

PARTS AND SERVICE PUBLICATIONS

Plate Ref.	Part Number	DESCRIPTION	No. per Veh.	REMARKS
	6600681	Owner's handbook (English) (IB324)	1	Series I
	6600682	Owner's handbook (French) (IB324F)	1	
	6600683	Owner's handbook (German) (IB324G)	1	
	6600716	Owner's handbook (Spanish) (IB324SP)	1	
	6600806	Owner's handbook (English) (IB344)	1	Series II
	6600820	Owner's handbook (French) (IB344F)	1	
	6600821	Owner's handbook (German) (IB344G)	1	
	6600822	Owner's handbook (Spanish) (IB344SP)	1	
	6600929	Owner's handbook (Italian) (IB344I)	1	
	6600960	Owner's handbook—Special tuning (English)	1	
	6600937	Owner's handbook—Harrington (English) ... (IB369) ...	1	
	6600938	Owner's handbook (English) (IB370) ...	1	Series III
	6601030	Owner's handbook (French) (IB370F) ...	1	
	6601031	Owner's handbook (German) (IB370G) ...	1	
	6601032	Owner's handbook (Spanish) (IB370SP) ...	1	
	6601033	Owner's handbook (Italian) (IB370I) ...	1	
	6601062	Owner's handbook (English) (IB389) ...	1	Series III Supplement for Solex (twin Choke Single carburettor
	6601098	Owner's handbook (French) (IB389/2/F)	1	
	6601099	Owner's handbook (German) (IB389/2/G)	1	
	6601100	Owner's handbook (Spanish) (IB389/2/SP)	1	
	6601101	Owner's handbook (Italian) (IB389/2/I)	1	
	6601205	Owner's handbook (Supplement)—Hood Operating Instructions		
	6601053	Owner's handbook (English) (IB385)		Series IV
	6601111	Owner's handbook (French) (IB385F)		
	6601112	Owner's handbook (German) (IB385G)		
	6601113	Owner's handbook (Spanish) (IB385SP)		
	6601114	Owner's handbook (Italian) (IB385I)		
	6601161	Owner's handbook (English supplement) (IB403)		Series IV All Synchronesh Box
	6601162	Owner's handbook (French supplement) (IB403F)		
	6601163	Owner's handbook (German supplement) (IB403G)		
	6601164	Owner's handbook (Spanish supplement) (IB403SP)		
	6601165	Owner's handbook (Italian supplement) (IB403I)		
	6600964	Owner's handbook (English) (IB376)		Series IV Borg Warner Transmission
	6600997	Owner's handbook (French) (IB376F)		
	6600998	Owner's handbook (German) } Supplement (IB376G)		
	6600999	Owner's handbook (Italian) } (IB376I)		
	6601000	Owner's handbook (Spanish) } (IB376SP)		
	6601245	Owner's handbook (English) (IB429)	1	Series V
	6601266	Owner's handbook (French) (IB429F)	1	
	6601267	Owner's handbook (German) (IB429G)	1	
	6601268	Owner's handbook (Spanish) (IB429SP)	1	
	6601269	Owner's handbook (Italian) (IB429I)	1	
	6601286	Owner's handbook (Swedish) (IB429SW)	1	

PARTS AND SERVICE PUBLICATIONS

Plate Ref.	Part Number	DESCRIPTION	No. per Veh.	REMARKS
	6600865 s/d by 6600988	Workshop manual (English)	1	} Series I and II
	6600766	Workshop manual (French) (WSM124/F)	1	
	6600775	Workshop manual (German) (WSM124/G)	1	
	6600776	Workshop manual (Spanish) (WSM124/SP)	1	
	6600931	Workshop manual (Italian) (WSM124/I)	1	
	6600951	Workshop manual—Harrington (English) (WSM140)	1	
	6600988 s/d by 6601102	Workshop manual (English) (WSM124)	1	
	6601102	Workshop manual (English) (WSM124)	1	
	6600965 s/d by 6601304	Workshop manual (English)—Supplement	1	
	6601211	Workshop manual (Supplement)	1	
	6601231	Workshop manual (English)—Light Car range with 1725 c.c. Engine (WSM124)	1	Series V For WSM124
	6600746	Workshop manual binder	1	} Loose-leaf type 4-Ring type
	6600829	Service bulletin binder—Volume I	1	
	6601133 s/d by 6600829	Service bulletin binder—Volume II	1	
	6600830	Parts list binder—Small (No longer available)	1	
	6601130 s/d by 6601373	Parts list binder—Large	1	
	6600883	Parts data binder	1	
	6600259	Voucher Book (Home) 1000 mile service (MB20/5)	1	} Series I, II and III
	6600771	Voucher Book (Export) 1000 mile service (MB52)	1	
	6600985	Voucher Book—3000 mile service (MB64)	1	
	6601225	Voucher Book—6000 mile service (MB81)	1	Series IV
	6600781 s/d by 6600993	Man-Hour Schedule (MHS18)	1	Series I and II
	6600993	Man-Hour Schedule (MHS24)	1	} Series I Series I and II
	6600791 s/d by 6601005	Man-Hour Schedule (Paintwork) (MHS20)	1	
	6600935 s/d by 6600993	Man-Hour Schedule (MHS23)	1	
	6600975	Lecture chart set—Borg Warner transmission	1	
	6601041	Routes Motoring Guide	1	

Publication No. 6600992

SECTION ZY

SCHEDULE OF BOLTS, SCREWS, NUTS & WASHERS

UNIFIED SCREW THREADS

It became apparent during the war that there was a need for a common standard of screw threads in the United Kingdom, Canada, and the United States. The decision to adopt unified threads follows a series of discussions between the countries concerned, at which agreement was reached that the Unified Threads are of a mutually acceptable form, pitch and diameter.

There is a little difference between the form of the American National Thread and the Unified Thread as many of the A.N.F. and A.N.C. pitches have been retained in the Unified Series. The new threads are, therefore, largely interchangeable with S.A.E. standards. They are not, however, interchangeable with B.S.F., and although B.S.W. have the same number of threads per inch as the Unified Coarse Series, interchanging is not recommended due to a difference in the thread form.

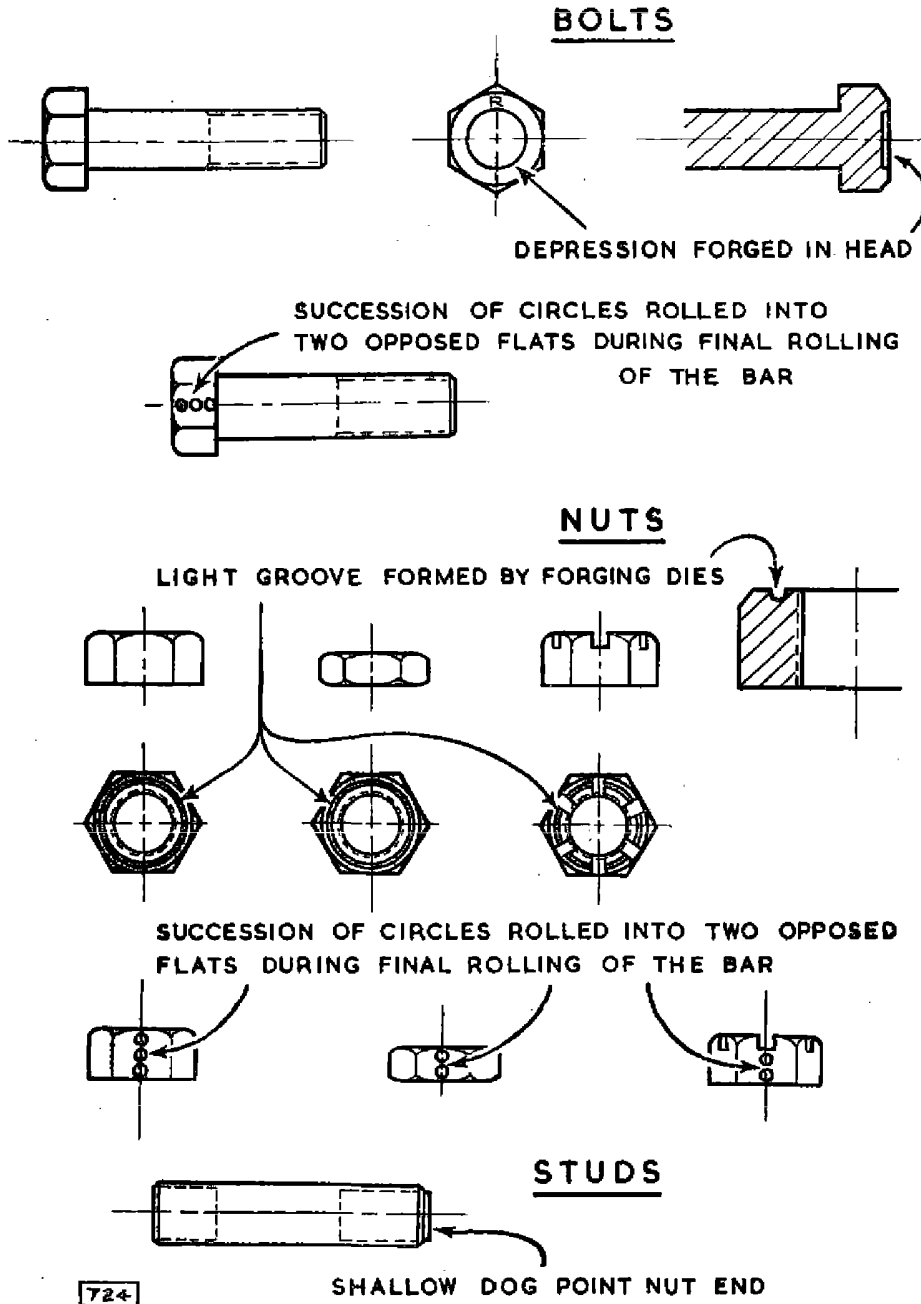
It has been the objective of the industry to ensure that as far as possible, all nuts, bolts and castings on which Unified Threads are used, are clearly identifiable by the markings, as shown on pages ZY2 and ZY3.

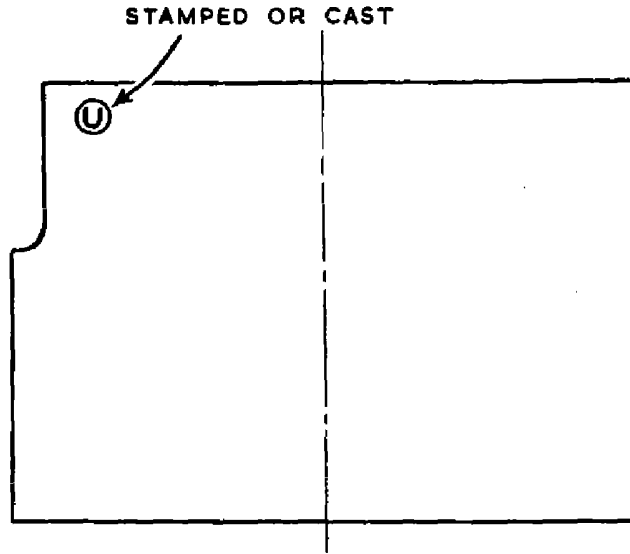
As the use of Unified Threads will undoubtedly spread to all branches of industry, it is desirable that all engaged in the servicing of motor vehicles should familiarise themselves as thoroughly as possible with the details given in the following appendices, with a view to causing as little disruption to normal work as possible.

METHODS OF IDENTIFICATION OF PARTS WITH UNIFIED THREADS

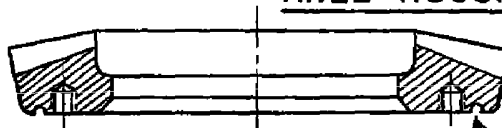
To enable Storekeepers, Inspectors, Service and other personnel easily to recognise parts having Unified Threads it has been necessary to incorporate in the design of such parts an identification feature.

The agreed methods of identification as illustrated below and on page ZY3 are self explanatory. As an alternative to these methods some parts may be dyed green.



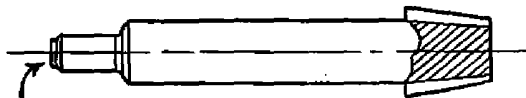


CYLINDER BLOCKS, GEARBOX AND
AXLE HOUSINGS ETC.



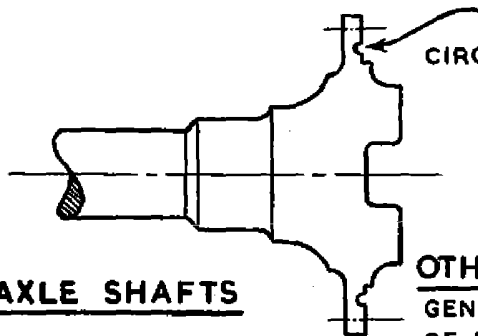
CROWN WHEEL

CIRCULAR RECESS



DOG POINT

PINION



AXLE SHAFTS

CIRCULAR RECESS

OTHER PARTS
GENERAL PATTERN
OF IDENTIFICATION

72B

BOLTS (HEXAGON HEADED)

ABBREVIATIONS

U.N.F.—Unified Fine Thread

B.S.F.—British Standard Fine

U.N.C.—Unified Coarse Thread

Size	Length	Part No.	Size	Length	Part No.
2 B.A.	× ½"	19052045	⅜" U.N.F.	× 2"	9003072
2 B.A.	× ¾"	9000155	⅜" U.N.F.	× 2"	19106161
⅜" B.S.F.	× ½"	19004045	⅜" U.N.F.	× 2"	19106163
⅜" U.N.F.	× 1"	19104081	⅜" U.N.F.	× 2¼"	19106183
⅜" U.N.F.	× 1⅝"	19104112	⅜" U.N.F.	× 2⅝"	9003198
⅜" U.N.F.	× 1⅞"	19104131	⅜" U.N.F.	× 2⅞"	9003246
⅜" U.N.F.	× 1⅞"	19104142	⅜" U.N.F.	× 2⅞"	19106203
⅜" U.N.F.	× 3"	19104241	⅜" U.N.F.	× 2⅞"	19106223
⅜" U.N.F.	× 3"	9003261	⅜" U.N.F.	× 3"	19106241
⅜" B.S.F.	× 3"	19005070	⅜" U.N.F.	× 3¼"	19106261
⅜" U.N.F.	× 3"	9003046	⅜" U.N.F.	× 3⅝"	19106271
⅜" U.N.F.	× 3"	9003047	⅜" U.N.F.	× 4¼"	9003202
⅜" U.N.F.	× 1⅝"	19105091	⅜" U.N.F.	× 1⅝"	19107111
⅜" U.N.F.	× 1⅝"	19105101	⅜" U.N.F.	× 1⅝"	19107113
⅜" U.N.F.	× 1⅝"	19105111	⅜" U.N.F.	× 1⅝"	19107133
⅜" U.N.F.	× 1⅝"	19105121	⅜" U.N.F.	× 1⅝"	19107143
⅜" U.N.F.	× 1⅝"	5220221	⅜" U.N.F.	× 1⅝"	19107153
⅜" U.N.F.	× 1⅝"	19105131	⅜" U.N.F.	× 2"	19107163
⅜" U.N.F.	× 1⅝"	19105141	⅜" U.N.F.	× 2¼"	19107203
⅜" U.N.F.	× 2⅝"	19105171	⅜" U.N.F.	× 2⅝"	19107213
⅜" U.N.F.	× 2⅝"	19105201	⅜" U.N.F.	× 3⅝"	9003091
⅜" U.N.F.	× 2⅝"	19105221	⅜" U.N.F.	× 3⅝"	9003093
⅜" U.N.F.	× 2⅝"	19105223	⅜" U.N.F.	× 3⅝"	19107302
⅜" U.N.F.	× 3"	19105241	⅜" U.N.F.	× 2⅝"	9003218
⅜" U.N.F.	× 3⅝"	19105281	⅜" U.N.F.	× 1⅝"	19108113
⅜" U.N.F.	× 3⅝"	9003064	⅜" U.N.F.	× 1⅝"	19108143
⅜" U.N.F.	× 1"	19106081	⅜" U.N.F.	× 2¼"	19108183
⅜" U.N.F.	× 1⅝"	19106101	⅜" U.N.F.	× 3¼"	9003223
⅜" U.N.F.	× 1⅝"	19106121	⅜" U.N.F.	× 3¼"	9003286
⅜" U.N.F.	× 1⅝"	19106131	⅜" U.N.F.	× 3⅝"	9003222
⅜" U.N.F.	× 1⅝"	19106141			

STUDS

ABBREVIATIONS

U.N.F.—Unified Fine Thread

U.N.C.—Unified Coarse Thread

Nut End—End to which nut is fitted

Metal End—Screws into component

Nut End	Metal End	Length	Part No.	Nut End	Metal End	Length	Part No.
⅜" U.N.F.	× ⅜" U.N.F.	× 1⅝"	29704092	⅜" U.N.F.	× ⅜" U.N.C.	× 1⅝"	29805113
⅜" U.N.F.	× ⅜" U.N.F.	× 1⅝"	29504111	⅜" U.N.F.	× ⅜" U.N.C.	× 1⅝"	29805114
⅜" U.N.F.	× ⅜" U.N.F.	× 1⅝"	29900011	⅜" U.N.F.	× ⅜" U.N.F.	× 1⅝"	29705123
⅜" U.N.F.	× ⅜" U.N.F.	× 1⅝"	29704122	⅜" U.N.F.	× ⅜" U.N.C.	× 1⅝"	29900401
⅜" U.N.F.	× ⅜" U.N.F.	× 2"	29704162	⅜" U.N.F.	× ⅜" U.N.C.	× 1⅝"	29805131
⅜" U.N.F.	× ⅜" U.N.F.	× 2¼"	29704182	⅜" U.N.F.	× ⅜" U.N.C.	× 1⅝"	29805133
⅜" U.N.F.	× ⅜" U.N.C.	× 3⅝"	29804303	⅜" U.N.F.	× ⅜" U.N.C.	× 1⅝"	29805134
⅜" U.N.F.	× ⅜" U.N.C.	× 3⅝"	29804313	⅜" U.N.F.	× ⅜" U.N.C.	× 1⅝"	29805144
⅜" U.N.F.	× ⅜" U.N.C.	× 2⅝"	29900445	⅜" U.N.F.	× ⅜" U.N.F.	× 1⅝"	29505153
⅜" U.N.F.	× ⅜" U.N.C.	× 1⅝"	29805093	⅜" U.N.F.	× ⅜" U.N.C.	× 3"	29805244
⅜" U.N.F.	× ⅜" U.N.F.	× 1⅝"	29505102	⅜" U.N.F.	× ⅜" U.N.C.	× 3⅝"	29805253
⅜" U.N.F.	× ⅜" U.N.C.	× 1⅝"	29805101	⅜" U.N.F.	× ⅜" U.N.C.	× 3¼"	29605263
⅜" U.N.F.	× ⅜" U.N.C.	× 1⅝"	29805103	⅜" U.N.F.	× ⅜" U.N.F.	× 1⅝"	29900416
⅜" U.N.F.	× ⅜" U.N.C.	× 1⅝"	29805104	⅜" U.N.F.	× ⅜" U.N.F.	× 2⅝"	29900249
⅜" U.N.F.	× ⅜" U.N.C.	× 1⅝"	29900442	⅜" U.N.F.	× ⅜" U.N.F.	× 2⅝"	29900426
⅜" U.N.F.	× ⅜" U.N.F.	× 1⅝"	29505111	⅜" U.N.F.	× ⅜" U.N.F.	× 5-44"	29900257
⅜" U.N.F.	× ⅜" U.N.F.	× 1⅝"	29705113	⅜" U.N.F.	× ⅜" U.N.F.	× 3¼"	29900268
⅜" U.N.F.	× ⅜" U.N.C.	× 1⅝"	29805111				

NUTS

ABBREVIATIONS

U.N.F.—Unified Fine Thread

U.N.C.—Unified Coarse Thread

Size	Type	Part No.	Size	Type	Part No.
2 B.A.	Aerotight	9034016	$\frac{3}{16}$ " U.N.F.	Locknut	9520051
2 B.A.	Dotloc	9034050	$\frac{3}{16}$ " U.N.F.	Locknut	9520056
2 B.A.	Plain	9600521	$\frac{3}{16}$ " U.N.C.	Plain	9550051
2 B.A.	Plain	9600522	$\frac{3}{16}$ " U.N.F.	Nyloc	9551050
4 B.A.	Plain	9600541	$\frac{3}{16}$ " U.N.F.	Nyloc	9551053
No. 4 U.N.C.	Square	9558000	$\frac{3}{16}$ " U.N.F.	Nyloc	9552053
No. 6 U.N.C.	Plain	9550011	$\frac{3}{16}$ " U.N.F.	Philidas	9554053
No. 6 U.N.C.	Plain	9550100	$\frac{3}{16}$ " U.N.F.	Oddie	9556053
No. 6 A.N.F.	Domed	9562011	$\frac{3}{16}$ " B.S.F.	Plain	9600051
No. 8 U.N.F.	Plain	9510020	$\frac{3}{16}$ " U.N.F.	Oddie	9034025
No. 8 U.N.C.	Plain	9550020	$\frac{3}{16}$ " U.N.F.	Nyloc	9034026
No. 8 U.N.C.	Square	9558020	$\frac{3}{16}$ " U.N.F.	Plain	5220703
No. 10 U.N.F.	Plain	5220700	$\frac{3}{16}$ " U.N.F.		5220708
No. 10 U.N.F.	Philidas	9034023	$\frac{3}{16}$ " U.N.F.	Plain	9029141
No. 10 U.N.F.	Locknut	9034124	$\frac{3}{16}$ " U.N.F.	Locknut	9029145
No. 10 U.N.F.	Plain	9510030	$\frac{3}{16}$ " U.N.F.	Plain	9510060
No. 10 U.N.F.	Plain	9510031	$\frac{3}{16}$ " U.N.F.	Plain	9510063
No. 10 U.N.F.	Plain	9510034	$\frac{3}{16}$ " U.N.F.	Locknut	9520060
No. 10 U.N.F.	Plain	9510036	$\frac{3}{16}$ " U.N.F.	Locknut	9520061
No. 10 U.N.F.	Square	9557037	$\frac{3}{16}$ " U.N.F.	Slotted	9540060
No. 10 U.N.F.	Square	9564030	$\frac{3}{16}$ " U.N.F.	Nyloc	9551063
No. 10 U.N.F.	Square	9564031	$\frac{3}{16}$ " U.N.F.	Plain	5220704
$\frac{1}{8}$ " B.S.W.	Plain	9020030	$\frac{3}{16}$ " U.N.C.	Plain	9029221
$\frac{1}{8}$ " U.N.F.	Plain	9029192	$\frac{3}{16}$ " U.N.F.	Plain	9510073
$\frac{1}{8}$ " U.N.F.	Plain	9510040	$\frac{3}{16}$ " U.N.F.	Slotted	9540070
$\frac{1}{8}$ " U.N.F.	Plain	9510041	$\frac{3}{16}$ " U.N.F.	Oddie	9555073
$\frac{1}{8}$ " U.N.F.	Plain	9510044	$\frac{3}{16}$ " U.N.F.	Nyloc	9571073
$\frac{1}{8}$ " U.N.F.	Locknut	9520040	$\frac{3}{16}$ " U.N.F.	Locknut	9520072
$\frac{1}{8}$ " U.N.F.	Locknut	9520043	$\frac{3}{16}$ " B.S.P.	Locknut	9029020
$\frac{1}{8}$ " U.N.F.	Nyloc	9551041	$\frac{1}{2}$ " U.N.F.	Slotted	9540080
$\frac{1}{8}$ " U.N.F.	Nyloc	9551043	$\frac{1}{2}$ " U.N.F.	Nyloc	9552083
$\frac{1}{8}$ " U.N.F.	Nyloc	9552044	$\frac{1}{2}$ " U.N.F.	Philidas	9553083
$\frac{1}{8}$ " U.N.F.	Square	9564040	$\frac{1}{2}$ " U.N.F.	Nyloc	9571083
$\frac{1}{8}$ " U.N.F.	Nyloc	9571043	$\frac{1}{8}$ " U.N.C.		5043641
$\frac{1}{8}$ " U.N.F.	Nyloc	9571044	$\frac{1}{8}$ " U.N.F.	Plain	9510090
$\frac{1}{8}$ " B.S.F.	Plain	9600041	$\frac{1}{8}$ " U.N.F.	Locknut	9520093
$\frac{1}{16}$ " U.N.F.	Plain	5220701	$\frac{1}{8}$ " U.N.F.	Slotted	9540090
$\frac{1}{16}$ " U.N.F.		5220702	$\frac{1}{8}$ " U.N.F.	Plain	9510100
$\frac{1}{16}$ " U.N.F.	Square	9024007	$\frac{1}{8}$ " U.N.F.	Slotted	9540100
$\frac{1}{16}$ " U.N.F.	Brass	9029207	$\frac{1}{8}$ " U.N.F.	Slotted	9540103
$\frac{1}{16}$ " U.N.F.	Locknut	9029132	$\frac{1}{8}$ " U.N.F.	Slotted	9032032
$\frac{1}{16}$ " U.N.F.	Plain	9510050	$\frac{1}{8}$ " U.N.F.	Nyloc	9034022
$\frac{1}{16}$ " U.N.F.	Plain	9510051	$\frac{1}{8}$ " U.N.F.	Nyloc	9552123
$\frac{1}{16}$ " U.N.F.	Locknut	9520050	$\frac{1}{8}$ " U.N.F.	Oddie	9556123

SCREWS (HEXAGON HEADED)

ABBREVIATIONS

U.N.F.—Unified Fine Thread

U.N.C.—Unified Coarse Thread

U.N.F.—Unified Fine Thread				U.N.C.—Unified Coarse Thread			
Size		Length	Part No.	Size		Length	Part No.
2 B.A.	×	1/2"	19052045	5/16" U.N.F.	×	5/8"	19505052
2 B.A.	×	3/8"	9050148	5/16" U.N.C.	×	3/4"	19605051
No. 4	×	3/8"	9056035	5/16" U.N.F.	×	3/8"	19805052
No. 10 U.N.F.	×	1/2"	19503021	5/16" U.N.F.	×	1/2"	5220167
No. 10 U.N.F.	×	3/8"	19503031	5/16" U.N.C.	×	3/4"	5220697
No. 10 U.N.F.	×	1/2"	19803032	5/16" U.N.F.	×	3/4"	19505061
No. 10 U.N.F.	×	3/8"	59320626	5/16" U.N.C.	×	3/4"	19405061
No. 10 U.N.F.	×	1/2"	19503041	5/16" U.N.F.	×	7/8"	5220692
No. 10 U.N.F.	×	1/2"	19503042	5/16" U.N.C.	×	7/8"	19605071
No. 10 U.N.F.	×	3/8"	19503051	5/16" U.N.F.	×	7/8"	19505071
No. 10 U.N.F.	×	5/8"	19503052	5/16" U.N.F.	×	1"	19505081
No. 10 U.N.C.	×	5/8"	59321026	5/16" U.N.C.	×	1"	19605081
No. 10 U.N.F.	×	1"	19503081	5/16" U.N.F.	×	1"	59521607
No. 10	×	1 1/2"	9065045	5/16" U.N.F.	×	1 1/2"	19505091
No. 10 U.N.F.	×	2"	59323226	5/16" U.N.C.	×	1 1/2"	19605091
No. 14	×	1 1/2"	9056044	5/16" U.N.F.	×	1 1/2"	19505101
1/4" B.S.W.	×	3/8"	9050065	5/16" U.N.C.	×	1 3/8"	19405111
1/4" U.N.F.	×	1"	19504021	5/16" U.N.F.	×	1 3/8"	19505111
1/4" U.N.F.	×	3/8"	19504031	5/16" U.N.C.	×	1 3/8"	19705111
1/4" U.N.F.	×	3/8"	19504033	5/16" U.N.C.	×	1 3/8"	19405143
1/4" U.N.C.	×	3/8"	19604031	5/16" U.N.C.	×	1 1/2"	19405121
1/4" U.N.F.	×	1 1/8"	9050176	5/16" U.N.F.	×	1 1/2"	19505121
1/4" U.N.F.	×	1 1/2"	5220690	5/16" U.N.F.	×	1 3/4"	19505141
1/4" U.N.F.	×	1 1/2"	19504041	5/16" U.N.C.	×	1 3/4"	59522207
1/4" U.N.F.	×	1 1/2"	19504042	5/16" U.N.F.	×	2 1/2"	19505181
1/4" U.N.F.	×	1 1/2"	19504043	5/16" U.N.C.	×	5 1/2"	19405441
1/2" U.N.C.	×	1 1/2"	19604041	3/8" U.N.F.	×	1 1/2"	19506041
1/2" U.N.F.	×	1 1/2"	9003027	3/8" U.N.F.	×	3 1/2"	5220686
1/2" U.N.F.	×	1 1/2"	59410909	3/8" U.N.F.	×	3 1/2"	9003294
1/2" U.N.F.	×	3/8"	9003029	3/8" U.N.F.	×	3 1/2"	19506061
1/2" U.N.F.	×	3/8"	19504051	3/8" U.N.F.	×	5/8"	9003290
1/2" U.N.F.	×	3/8"	19504052	3/8" U.N.F.	×	5/8"	19506071
1/2" U.N.C.	×	3/8"	19604051	3/8" U.N.F.	×	5/8"	19506073
1/2" U.N.C.	×	3/8"	19604052	3/8" U.N.F.	×	1"	5220688
1/2" U.N.F.	×	3/8"	19804052	3/8" U.N.F.	×	1"	5220694
1/2" U.N.F.	×	3/8"	5220695	3/8" U.N.F.	×	1"	19506081
1/2" U.N.F.	×	3/8"	19504061	3/8" U.N.C.	×	1"	19606081
1/2" U.N.C.	×	3/8"	19604061	3/8" U.N.F.	×	1 1/2"	5220687
1/2" U.N.F.	×	1"	9050101	3/8" U.N.F.	×	1 1/2"	19506101
1/2" U.N.F.	×	1"	19504081	3/8" U.N.C.	×	1 1/2"	19606101
1/2" U.N.F.	×	1 1/8"	5220693	3/8" U.N.F.	×	1 1/2"	19806101
1/2" U.N.C.	×	1 1/8"	59421826	3/8" U.N.C.	×	1 1/2"	19406111
1/2" U.N.F.	×	1 1/8"	19504091	3/8" U.N.F.	×	1 3/8"	19506113
1/2" U.N.F.	×	1 1/2"	9050178	3/8" U.N.C.	×	1 3/8"	19606111
1/2" U.N.C.	×	1 3/8"	59422007	3/8" U.N.C.	×	1 3/8"	59622601
1/2" U.N.C.	×	1 3/8"	59422226	3/8" U.N.F.	×	1 3/8"	19506143
1/2" U.N.F.	×	1 1/2"	19504121	3/8" U.N.C.	×	1 3/8"	19606151
1/2" U.N.C.	×	2"	59423207	3/8" U.N.C.	×	2 1/8"	59623401
5/16" U.N.F.	×	3/8"	19505032	3/8" U.N.C.	×	3 3/8"	19406301
5/16" U.N.F.	×	3/8"	5220691	3/8" U.N.C.	×	5 1/2"	19406441
5/16" U.N.F.	×	1/2"	5220683	3/8" U.N.C.	×	6"	19406481
5/16" U.N.F.	×	1/2"	9000219	7/16" U.N.F.	×	3"	19507063
5/16" U.N.F.	×	1 1/2"	19505041	7/16" U.N.F.	×	1 1/2"	19507103
5/16" U.N.C.	×	1 1/2"	19605041	1/2" U.N.F.	×	1"	19508081
5/16" U.N.C.	×	1 1/2"	19605042	1/2" U.N.F.	×	1 1/2"	19508093
5/16" U.N.F.	×	5/8"	5220684	1/2" U.N.F.	×	1 1/2"	19508123
5/16" U.N.F.	×	5/8"	19505051				

MACHINE SCREWS

ABBREVIATIONS

U.N.F.—Unified Fine Thread
 Csk.—Countersunk
 P.H.—Pan Head
 O.H.—Oval Head
 C.H.—Cheese Head

U.N.C.—Unified Coarse Thread
 F.H.—Fillister Head
 F.Csk.—Flat Countersunk
 Rsd. Hd.—Raised Head
 X. Rec.—Cross Recess Head

Size	Length	Type	Part No.	Size	Length	Type	Part No.		
2 B.A.	×	$\frac{3}{8}$ "	Csk.	39003061	No. 10 U.N.F.	×	$\frac{1}{2}$ "	P.H.	39303081
2 B.A.	×	$\frac{3}{8}$ "	Bdg. Hd.	39023061	No. 10 U.N.F.	×	$\frac{1}{2}$ "	P.H.	39303082
2 B.A.	×	$\frac{3}{8}$ "	C.H.	39033060	No. 10 U.N.F.	×	$\frac{1}{2}$ "	P.H.	39303084
2 B.A.	×	$\frac{7}{8}$ "	C.H.	39033140	No. 10 U.N.F.	×	$\frac{1}{2}$ "	P.H.	39333081
4 B.A.	×	$\frac{1}{2}$ "	Csk.	39001042	No. 10 U.N.F.	×	$\frac{1}{2}$ "	P.H.	39333082
4 B.A.	×	$\frac{5}{16}$ "	Bdg. Hd.	39021050	No. 10 U.N.F.	×	$\frac{1}{2}$ "	P.H.	39313081
4 B.A.	×	$\frac{3}{8}$ "	Rsd. Hd.	39011062	No. 10 U.N.F.	×	$\frac{1}{2}$ "	F.H.	39403081
6 B.A.	×	$\frac{5}{16}$ "	Rsd. Hd.	49016005	No. 10 U.N.C.	×	$\frac{1}{2}$ "	Csk.	39803081
No. 4 U.N.C.	×	$\frac{3}{8}$ "	Csk.	39700106	No. 10	×	$\frac{3}{8}$ "	Rsd. Hd.	39113102
No. 6	×	$\frac{1}{2}$ "	P.H.	49361042	No. 10 U.N.F.	×	$\frac{5}{8}$ "	O.H.	39213102
No. 6 A.N.F.	×	$\frac{1}{2}$ "	Csk.	39201082	No. 10 U.N.F.	×	$\frac{5}{8}$ "	P.H.	39303101
No. 6 U.N.C.	×	$\frac{1}{2}$ "	Csk.	39711042	No. 10 U.N.F.	×	$\frac{5}{8}$ "	P.H.	39313101
No. 6 U.N.C.	×	$\frac{1}{2}$ "	Rsd. Hd.	39811041	No. 10 U.N.F.	×	$\frac{5}{8}$ "	Rsd. Hd.	39313102
No. 6 U.N.C.	×	$\frac{5}{16}$ "	P.H.	39811052	No. 10 U.N.F.	×	$\frac{5}{8}$ "	Csk.	39403100
No. 6 U.N.F.	×	$\frac{3}{8}$ "	O.H.	39711061	No. 10 U.N.F.	×	$\frac{3}{4}$ "	Csk.	39103120
No. 6 U.N.F.	×	$\frac{3}{8}$ "	O.H.	39711062	No. 10 U.N.F.	×	$\frac{3}{4}$ "	O.H.	39213122
No. 6	×	$\frac{3}{8}$ "	P.H.	39811061	No. 10 U.N.F.	×	$\frac{3}{4}$ "	Csk.	39303120
No. 6 U.N.C.	×	$\frac{5}{8}$ "	P.H.	39601101	No. 10	×	$\frac{3}{4}$ "	Rsd. Hd.	39313121
No. 6 U.N.C.	×	$\frac{3}{4}$ "	Rsd. Hd.	39711122	No. 10 U.N.F.	×	$\frac{7}{8}$ "	Csk.	39403142
No. 6 U.N.F.	×	$\frac{7}{8}$ "	F.H.	39403142	No. 10	×	$\frac{7}{8}$ "	Rsd. Hd.	39413142
No. 6 U.N.C.	×	$\frac{7}{8}$ "	O.H.	39731141	No. 10 U.N.F.	×	1"	Csk.	39103160
No. 6 U.N.C.	×	1"	Rsd. Hd.	39611161	No. 10 U.N.F.	×	1"	Csk.	39103162
No. 8 U.N.F.	×	$\frac{1}{2}$ "	P.H.	39302041	No. 10 U.N.F.	×	1"	O.H.	39203160
No. 8 U.N.C.	×	$\frac{1}{2}$ "	F.H.	39902040	No. 10 U.N.F.	×	1"	Csk.	39213162
No. 8	×	$\frac{3}{8}$ "	O.H.	49252063	No. 10 U.N.F.	×	1"	O.H.	39233162
No. 8 U.N.C.	×	$\frac{3}{8}$ "	Rsd. Hd.	39812061	No. 10 U.N.F.	×	1"	Bdg. Hd.	59321626
No. 8 U.N.C.	×	$\frac{3}{8}$ "	P.H.	39812062	No. 10	×	1 $\frac{1}{2}$ "	X Rec.	39413181
No. 8 U.N.C.	×	$\frac{1}{2}$ "	P.H.	39602080	No. 10	×	1 $\frac{1}{2}$ "	C.H.	39233201
No. 8 U.N.F.	×	$\frac{5}{8}$ "	Csk.	39112101	No. 10 U.N.F.	×	1 $\frac{1}{2}$ "	P.H.	39303203
No. 8 U.N.C.	×	$\frac{3}{4}$ "	Csk.	39702120	No. 10 U.N.F.	×	1 $\frac{1}{2}$ "	F.H.	39403200
No. 10 U.N.F.	×	$\frac{1}{2}$ "	Csk.	39113041	No. 10 U.N.F.	×	1 $\frac{1}{2}$ "	Rsd. Hd.	39413201
No. 10 U.N.F.	×	$\frac{1}{2}$ "	P.H.	39303040	No. 10 U.N.F.	×	1 $\frac{1}{2}$ "	Csk.	49353202
No. 10 U.N.F.	×	$\frac{5}{16}$ "	P.H.	39303050	No. 10 U.N.F.	×	1 $\frac{1}{2}$ "	Csk.	39103243
No. 10 U.N.F.	×	$\frac{5}{16}$ "	P.H.	39303051	$\frac{1}{4}$ " U.N.F.	×	$\frac{5}{8}$ "	Rsd. Hd.	39314051
No. 10	×	$\frac{5}{16}$ "	P.H.	39313051	$\frac{1}{4}$ " U.N.F.	×	$\frac{3}{8}$ "	P.H.	39304060
No. 10	×	$\frac{5}{16}$ "	Bdg. Hd.	49313052	$\frac{1}{4}$ " U.N.F.	×	$\frac{3}{8}$ "	P.H.	39304061
No. 10 U.N.F.	×	$\frac{5}{16}$ "	F.H.	39403051	$\frac{1}{4}$ " U.N.C.	×	$\frac{3}{8}$ "	F.H.	39404060
No. 10 U.N.F.	×	$\frac{3}{8}$ "	F.H.	39413061	$\frac{1}{4}$ " U.N.F.	×	$\frac{1}{2}$ "	Csk.	39104080
No. 10 U.N.C.	×	$\frac{3}{8}$ "	Rsd. Hd.	39713062	$\frac{1}{4}$ " U.N.F.	×	$\frac{1}{2}$ "	F. Csk.	39114081
No. 10 U.N.C.	×	$\frac{3}{8}$ "	Rsd. Hd.	39813061	$\frac{1}{4}$ " U.N.F.	×	$\frac{1}{2}$ "	Rsd. Hd.	39214082
No. 10 U.N.F.	×	$\frac{3}{8}$ "	O.H.	39213062	$\frac{1}{4}$ " U.N.F.	×	$\frac{1}{2}$ "	P.H.	39304081
No. 10 U.N.F.	×	$\frac{3}{8}$ "	P.H.	39303060	$\frac{1}{4}$ " U.N.F.	×	$\frac{1}{2}$ "	Rsd. Hd.	39314080
No. 10 U.N.F.	×	$\frac{3}{8}$ "	P.H.	39303061	$\frac{1}{4}$ " U.N.F.	×	$\frac{1}{2}$ "	X Rec.	39314081
No. 10 U.N.F.	×	$\frac{3}{8}$ "	P.H.	39333061	$\frac{1}{4}$ " U.N.F.	×	$\frac{1}{2}$ "	C.H.	39304120
No. 10 U.N.F.	×	$\frac{3}{8}$ "	P.H.	39333062	$\frac{1}{4}$ " U.N.F.	×	$\frac{3}{4}$ "	Csk.	39104120
No. 10 U.N.F.	×	$\frac{3}{8}$ "	P.H.	39313061	$\frac{1}{4}$ " U.N.F.	×	$\frac{3}{4}$ "	F.H.	39404123
No. 10 U.N.F.	×	$\frac{3}{8}$ "	O.H.	39213061	$\frac{1}{4}$ " B.S.F.	×	1"	C.H.	39034160
No. 10 U.N.C.	×	$\frac{3}{8}$ "	P.H.	39803060	$\frac{1}{4}$ " U.N.F.	×	1"	O.H.	39214161
No. 10 U.N.F.	×	$\frac{7}{16}$ "	Csk.	39303071	$\frac{1}{4}$ " B.S.F.	×	1 $\frac{1}{8}$ "	C.H.	39084180
No. 10 U.N.F.	×	$\frac{7}{16}$ "	P.H.	39303072	$\frac{1}{4}$ " U.N.F.	×	1 $\frac{1}{8}$ "	Rsd. Hd.	39214202
No. 10 U.N.F.	×	$\frac{7}{16}$ "	Csk.	39403070	$\frac{1}{4}$ " U.N.F.	×	1 $\frac{1}{8}$ "	C.H.	39234201
No. 10 U.N.F.	×	$\frac{1}{2}$ "	Csk.	39103082	$\frac{1}{4}$ " B.S.F.	×	2 $\frac{1}{2}$ "	Csk.	39004400
No. 10 U.N.F.	×	$\frac{1}{2}$ "	Csk.	39103080	$\frac{5}{16}$ " U.N.F.	×	$\frac{7}{8}$ "	F.H.	39405140
No. 10 U.N.F.	×	$\frac{1}{2}$ "	Rsd. Hd.	39213082	$\frac{5}{16}$ " U.N.F.	×	1 $\frac{1}{2}$ "	Csk.	39105243
No. 10 U.N.F.	×	$\frac{1}{2}$ "	O.H.	39233082	$\frac{11}{16}$ " U.N.F.	×	1 $\frac{1}{2}$ "	X Rec.	39115241
No. 10 U.N.F.	×	$\frac{1}{2}$ "	P.H.	39303080					

TAPPING SCREWS

ABBREVIATIONS

Bdg. Hd.—Binding Head
 O.H.—Oval Head
 P.H.—Pan Head

F. Csk.—Flat Countersunk Head
 Rsd. Hd.—Raised Head
 X. Rec.—Cross Recessed Head

Size	Length	Type	Part No.	Size	Length	Type	Part No.		
No. 4	×	1/4"	Bdg. Hd.	9731046	No. 6	×	1/4"	X. Rec.	9772086
No. 4	×	1/4"	X. Rec.	9771046	No. 6	×	1/4"	P.H.	9732083
No. 4	×	3/8"	Bdg. Hd.	9731063	No. 6	×	3/8"	Bdg. Hd.	9732106
No. 4	×	3/8"	X. Rec.	9771063	No. 6	×	3/8"	X. Rec.	9772106
No. 4	×	3/8"	Bdg. Hd.	9731064	No. 6	×	3/8"	F. Csk.	9712105
No. 4	×	3/8"	F. Csk.	9711066	No. 6	×	3/8"	O.H.	9762105
No. 4	×	3/8"	Bdg. Hd.	9731068	No. 6	×	3/8"	Rsd. Hd.	9722105
No. 4	×	1/2"	O.H.	9721085	No. 6	×	3/8"	Rsd. Hd.	9762145
No. 4	×	1/2"	O.H.	9761085	No. 6	×	3/4"	Rsd. Hd.	9722125
No. 4	×	1/2"	O.H.	9721082	No. 6	×	1/2"	P.H.	9732125
No. 4	×	1/2"	F. Csk.	9711085	No. 6	×	1/2"	P.H.	9772126
No. 4	×	1/2"	P.H.	9731085	No. 6	×	1"	P.H.	9732166
No. 4	×	5/8"	F. Csk.	9711106	No. 6	×	1 1/4"	Bdg. Hd.	9732183
No. 4	×	5/8"	F. Csk.	9711109	No. 8	×	3/8"	O.H.	9763068
No. 4	×	5/8"	Rsd. Hd.	9721105	No. 8	×	3/8"	X. Rec.	9773066
No. 4	×	5/8"	X. Rec.	9761105	No. 8	×	1/2"	X. Rec.	9773083
No. 4	×	2"	Bdg. Hd.	9731126	No. 8	×	1/2"	Bdg. Hd.	9733086
No. 6	×	1/4"	Bdg. Hd.	9732042	No. 8	×	1/2"	X. Rec.	9773086
No. 6	×	1/4"	Bdg. Hd.	9732046	No. 8	×	1/2"	F. Csk.	9713085
No. 6	×	3/8"	O.H.	9762063	No. 8	×	1/2"	Rsd. Hd.	9723082
No. 6	×	3/8"	F. Csk.	9712066	No. 8	×	3/4"	Rsd. Hd.	9723125
No. 6	×	3/8"	Bdg. Hd.	9732066	No. 8	×	1"	O.H.	9763125
No. 6	×	3/8"	X. Rec.	9772066	No. 8	×	1"	Bdg. Hd.	9733123
No. 6	×	3/8"	Bdg. Hd.	9732063	No. 8	×	3/4"	X. Rec.	9773126
No. 6	×	1/2"	Rsd. Hd.	9762085	No. 10	×	3/8"	Bdg. Hd.	9734065
No. 6	×	1/2"	X. Rec.	9772086	No. 10	×	3/8"	Bdg. Hd.	9734066
No. 6	×	1/2"	F. Csk.	9712086	No. 10	×	3/8"	X. Rec.	9774065
No. 6	×	1/2"	F. Csk.	9712085	No. 10	×	1/2"	Hex. Hd.	9744083
No. 6	×	1/2"	X. Rec.	9772084	No. 10	×	1/2"	Bdg. Hd.	9734083
No. 6	×	1/2"	O.H.	9762083	No. 10	×	1/2"	X. Rec.	9774083
No. 6	×	1/2"	Bdg. Hd.	9732084	No. 10	×	1/2"	Bdg. Hd.	9734086
No. 6	×	1/2"	O.H.	9722085	No. 10	×	1/2"	X. Rec.	9774086
No. 6	×	1/2"	O.H.	9762085	No. 12	×	1/2"	X. Rec.	9775086
No. 6	×	1/2"	P.H.	9732085	No. 12	×	1/2"	Bdg. Hd.	9775089
No. 6	×	1/2"	Bdg. Hd.	9732086	No. 12	×	3/4"	Bdg. Hd.	9735126

WASHERS

ABBREVIATIONS

I.D.—Inside Dimension
 O.D.—Outside Dimension
 I.S.—Internal Shakeproof
 D.C.—Double Coil Spring

S.C.F.—Single Coil Flat
 S.W.G.—Standard Wire Gauge
 S.C.S.—Single Coil Square

I.D.	O.D.	Thickness	Type	Part No.	I.D.	O.D.	Thickness	Type	Part No.
No. 6			I.S.	9663092	5/16"	1/8"	16 S.W.G.	Plain	9067005
No. 6			S.C.S.	9663093	5/16"	5/8"	16 S.W.G.	Plain	9067006
1/8"	3/16"	20 S.W.G.	Plain	9067000	3/16"			S.C.F.	9660101
1/8"			I.S.	9663082	3/16"			S.C.S.	9660111
5/16"	3/8"	20 S.W.G.	Plain	9067091	5/16"			I.S.	9663113
5/16"	3/8"	18 S.W.G.	Plain	9067004	5/16"	5/16"	16 S.W.G.	Plain	9067007

WASHERS—continued

I.D.	O.D.	Thickness	Type	Part No.	I.D.	O.D.	Thickness	Type	Part No.
$\frac{5}{16}$ "	$\frac{3}{8}$ "	20 S.W.G.	Plain	9067008	$\frac{5}{16}$ "	$\frac{1}{2}$ "	10 S.W.G.	Plain	9067028
$\frac{5}{16}$ "	$\frac{3}{8}$ "	20 S.W.G.	Plain	9067094	$\frac{5}{16}$ "	1"	16 S.W.G.	Plain	9067029
$\frac{5}{16}$ "	$\frac{3}{8}$ "	16 S.W.G.	Plain	9067088	$\frac{5}{16}$ "	1"	10 S.W.G.	Plain	9067032
$\frac{5}{16}$ "	$\frac{3}{8}$ "	21 S.W.G.	Plain	9067009	$\frac{5}{16}$ "	$1\frac{1}{4}$ "	14 S.W.G.	Plain	9068015
$\frac{5}{16}$ "	$\frac{1}{2}$ "	20 S.W.G.	Plain	9067010	$\frac{5}{16}$ "	$1\frac{1}{2}$ "	16 S.W.G.	Plain	9067486
$\frac{5}{16}$ "	$\frac{1}{2}$ "	20 S.W.G.	Plain	9096073	$\frac{5}{16}$ "	1"	16 S.W.G.	Plain	9067089
$\frac{5}{16}$ "	$\frac{1}{2}$ "	16 S.W.G.	Plain	9067011	$\frac{5}{16}$ "	$1\frac{1}{8}$ "	8 S.W.G.	Plain	9067483
$\frac{5}{16}$ "	$\frac{1}{2}$ "	20 S.W.G.	Plain	9067095	$\frac{5}{16}$ "			S.C.F.	9661201
$\frac{5}{16}$ "	$\frac{1}{2}$ "	16 S.W.G.	Plain	9067096	$\frac{5}{16}$ "			S.C.F.	9661203
$\frac{5}{16}$ "	$\frac{1}{2}$ "	20 S.W.G.	Plain	9067123	$\frac{5}{16}$ "			S.C.F.	9660203
$\frac{5}{16}$ "	$\frac{1}{2}$ "	18 S.W.G.	Plain	9067012	$\frac{5}{16}$ "			S.C.S.	9660201
$\frac{5}{16}$ "	$\frac{1}{2}$ "	18 S.W.G.	Plain	9067013	$\frac{5}{16}$ "			D.C.	9086004
$\frac{5}{16}$ "			S.C.F.	9661123	$\frac{5}{16}$ "			D.C.	9086005
$\frac{5}{16}$ "			S.C.F.	9661121	$\frac{5}{16}$ "			I.S.	9664202
$\frac{5}{16}$ "			S.C.F.	9660122	$\frac{5}{16}$ "			I.S.	9664203
$\frac{5}{16}$ "			S.C.F.	9661122	$\frac{5}{16}$ "	$\frac{3}{8}$ "		Plain	9067244
$\frac{5}{16}$ "			S.C.S.	9660123	$\frac{5}{16}$ "	$\frac{13}{16}$ "	20 S.W.G.	Plain	9067254
$\frac{5}{16}$ "			S.C.S.	9660121	$\frac{5}{16}$ "	$\frac{3}{8}$ "	16 S.W.G.	Plain	9067034
$\frac{5}{16}$ "			I.S.	9663091	$\frac{5}{16}$ "	$\frac{3}{8}$ "	14 S.W.G.	Plain	9067035
$\frac{5}{16}$ "			I.S.	9663122	$\frac{5}{16}$ "	$\frac{3}{8}$ "	16 S.W.G.	Plain	9067037
$\frac{5}{16}$ "			I.S.	9663113	$\frac{5}{16}$ "	$\frac{3}{8}$ "	14 S.W.G.	Plain	9067036
$\frac{5}{16}$ "			I.S.	9666123	$\frac{5}{16}$ "	$\frac{3}{8}$ "	15 S.W.G.	Plain	9068016
$\frac{5}{16}$ "			I.S.	9662122	$\frac{5}{16}$ "	$\frac{7}{8}$ "	16 S.W.G.	Plain	9067038
$\frac{5}{16}$ "			I.S.	9663123	$\frac{5}{16}$ "	$\frac{7}{8}$ "	10 S.W.G.	Plain	9067039
$\frac{5}{16}$ "			I.S.	9663121	$\frac{5}{16}$ "	1"	16 S.W.G.	Plain	9067041
$\frac{5}{16}$ "	$\frac{1}{2}$ "	10 S.W.G.	Plain	9067468	$\frac{5}{16}$ "	1"	8 S.W.G.	Plain	9067256
$\frac{5}{16}$ "			Waved	9075008	$\frac{5}{16}$ "	$1\frac{1}{4}$ "	14 S.W.G.	Plain	9067043
$\frac{5}{16}$ "			Fibre	9078008	$\frac{5}{16}$ "	$1\frac{1}{2}$ "	14 S.W.G.	Plain	9067045
$\frac{5}{16}$ "	$\frac{1}{2}$ "	20 S.W.G.	Plain	9067014	$\frac{5}{16}$ "			S.C.F.	5200486
$\frac{5}{16}$ "	$\frac{1}{2}$ "	16 S.W.G.	Plain	9067015	$\frac{5}{16}$ "			S.C.F.	9660241
$\frac{5}{16}$ "	$\frac{1}{2}$ "	17 S.W.G.	Plain	9067016	$\frac{5}{16}$ "			S.C.F.	9660242
$\frac{5}{16}$ "	$\frac{1}{2}$ "	20 S.W.G.	Plain	9067098	$\frac{5}{16}$ "			S.C.S.	9661241
$\frac{5}{16}$ "	$\frac{1}{2}$ "	20 S.W.G.	Plain	9067017	$\frac{5}{16}$ "			S.C.S.	9661242
$\frac{5}{16}$ "	$\frac{3}{4}$ "	16 S.W.G.	Plain	9067018	$\frac{5}{16}$ "			D.C.	9086007
$\frac{5}{16}$ "	$\frac{3}{4}$ "	17 S.W.G.	Plain	9068010	$\frac{5}{16}$ "			I.S.	9664242
$\frac{5}{16}$ "	1"	20 S.W.G.	Plain	9067019	$\frac{5}{16}$ "			I.S.	9664243
$\frac{5}{16}$ "	1"	20 S.W.G.	Plain	9067125	$\frac{5}{16}$ "	$\frac{1}{2}$ "	16 S.W.G.	Plain	9067046
$\frac{5}{16}$ "	$\frac{1}{2}$ "	16 S.W.G.	Plain	9067112	$\frac{5}{16}$ "	$\frac{7}{8}$ "	16 S.W.G.	Plain	9067047
$\frac{5}{16}$ "			Plain	9067113	$\frac{5}{16}$ "	$\frac{7}{8}$ "	10 S.W.G.	Plain	9067049
$\frac{5}{16}$ "			S.C.S.	9660161	$\frac{5}{16}$ "	$\frac{7}{8}$ "	13 S.W.G.	Plain	9068019
$\frac{5}{16}$ "			S.C.F.	9661161	$\frac{5}{16}$ "	1"	18 S.W.G.	Plain	9067051
$\frac{5}{16}$ "			S.C.F.	9661163	$\frac{5}{16}$ "	$\frac{3}{4}$ "	16 S.W.G.	Plain	9067109
$\frac{5}{16}$ "			I.S.	9663163	$\frac{5}{16}$ "	1"	17 S.W.G.	Plain	9067500
$\frac{5}{16}$ "			I.S.	9664162	$\frac{5}{16}$ "			S.C.S.	9660281
$\frac{5}{16}$ "			I.S.	9664163	$\frac{5}{16}$ "			I.S.	9664282
$\frac{5}{16}$ "			I.S.	9666163	$\frac{5}{16}$ "			Copper	5220713
$\frac{5}{16}$ "			D.C.	9086003	$\frac{5}{16}$ "			Waved	9075033
$\frac{5}{16}$ "	$\frac{3}{8}$ "	$\frac{1}{8}$ "	Fibre	9078012	$\frac{5}{16}$ "	$1\frac{1}{2}$ "	10 S.W.G.	Plain	9067062
$\frac{5}{16}$ "	$\frac{1}{2}$ "	16 S.W.G.	Plain	9067227	$\frac{5}{16}$ "	$1\frac{3}{8}$ "	12 S.W.G.	Plain	9067426
$\frac{5}{16}$ "	$\frac{3}{4}$ "	15 S.W.G.	Plain	9068013	$\frac{5}{16}$ "	$\frac{3}{4}$ "	19 S.W.G.	Plain	9067423
$\frac{5}{16}$ "	$\frac{1}{2}$ "	.062"	Plain	9077014	$\frac{5}{16}$ "	$\frac{7}{8}$ "	16 S.W.G.	Plain	9067056
$\frac{5}{16}$ "	$\frac{3}{4}$ "	15 S.W.G.	Plain	9067024	$\frac{5}{16}$ "	1"	16 S.W.G.	Plain	9067057
$\frac{5}{16}$ "	$\frac{3}{4}$ "	16 S.W.G.	Plain	9067128	$\frac{5}{16}$ "	1"	16 S.W.G.	Plain	9067058
$\frac{5}{16}$ "	$\frac{3}{4}$ "	12 S.W.G.	Plain	9067025	$\frac{5}{16}$ "	1"	12 S.W.G.	Plain	9067059
$\frac{5}{16}$ "	$\frac{3}{4}$ "	16 S.W.G.	Plain	9067023	$\frac{5}{16}$ "	$1\frac{1}{4}$ "	6 S.W.G.	Plain	9067509
$\frac{5}{16}$ "	$\frac{3}{4}$ "	20 S.W.G.	Plain	9067101	$\frac{5}{16}$ "	$1\frac{1}{4}$ "	6 S.W.G.	Plain	9067512
$\frac{5}{16}$ "	$\frac{3}{4}$ "	12 S.W.G.	Plain	9067103	$\frac{5}{16}$ "	$1\frac{3}{8}$ "	12 S.W.G.	Plain	9067424
$\frac{5}{16}$ "	$\frac{3}{4}$ "	15 S.W.G.	Plain	5200482	$\frac{5}{16}$ "			S.C.S.	9660321
$\frac{5}{16}$ "	$\frac{3}{4}$ "	20 S.W.G.	Plain	9067022	$\frac{5}{16}$ "			D.C.	9086011
$\frac{5}{16}$ "	$\frac{3}{4}$ "	20 S.W.G.	Plain	9067026	$\frac{5}{16}$ "			I.S.	9664322
$\frac{5}{16}$ "	$\frac{1}{2}$ "	16 S.W.G.	Plain	9067027	$\frac{5}{16}$ "	$\frac{1}{4}$ "	.062"	Copper	9077015

WASHERS—continued

I.D.	O.D.	Thickness	Type	Part No.	I.D.	O.D.	Thickness	Type	Part No.
$\frac{3}{4}$ "	$1\frac{1}{2}$ "	14 S.W.G.	Plain	9067075	No. 4 CUP				9670423
$\frac{3}{4}$ "	$1\frac{1}{2}$ "	10 S.W.G.	Plain	9067079	No. 4 CUP				9670433
$\frac{3}{4}$ "	$1\frac{1}{2}$ "		Plain	9067314	No. 4 CUP				9670413
$\frac{3}{4}$ "			D.C.	9086015	No. 6 CUP				9670613
$\frac{7}{8}$ "	$1\frac{7}{8}$ "	16 S.W.G.	Plain	9067330	No. 6 CUP				9670621
$\frac{7}{8}$ "			S.C.S.	9661562	No. 6 CUP				9670633

Publication No. 6600992

SECTION ZZ

NUMERICAL INDEX

NOTE

Items marked "S" are those parts which are recommended for initial stock by dealers.

5th Issue

NUMERICAL INDEX

<i>Part No.</i>	<i>Page No.</i>	<i>Part No.</i>	<i>Page No.</i>	<i>Part No.</i>	<i>Page No.</i>	<i>Part No.</i>	<i>Page No.</i>
7-FIGURE SECTION		1046741	W4	1200443	G2	1201252	M1
1044417	S F3		W5		G3	1201259	M3
1044930	W21	1046803	S B1	1200444	G2	1201260	Q1
1045233	S F3		ZW1	1200445	G2	1201261	Q1
1045489	ZW1	1046807	W5		G3		ZW2
	D1		W6	1200455	E1	1201262	S M3
	E1	1046814	W5		E2	1201264	Q1
	E2		W6		DA1	1201265	Q1
	DA1	1046821	C1		DA2	1201266	S M4
	DA2	1046937	W4		DB1		ZW2
	DB1	1046939	W24	1200467	Q3	1201269	S N6
1046553	W13	1046943	W9	1200468	Q3	1201270	S S3
1046555	W8	1046963	W22	1200576	N1		ZW2
1046557	W3	1046964	W22	1200577	N2	1201271	S S3
1046558	W3	1046983	S W13	1201047	G2		ZW2
1046559	S W3	1046984	Q7	1201048	G2	1201273	P1
1046560	W1	1046988	W13	1201049	G2	1201274	S R1
1046561	W2	1046994	W21	1201050	G2		ZW2
1046563	S W12	1056563	W13	1201059	S A16	1201275	S R1
	ZU12	1108015	M3	1201082	S A16	1201276	R2
1046564	W12		N5	1201083	S A6	1201278	R2
	W13		MA3	1201091	S A11	1201281	F6
1046566	X2	1115138	M4	1201122	A8		Q14
1046568	W2	1124650	X7		AA4	1201284	Q12
1046591	U1	1200025	S G3	1201152	A7	1201285	Q12
1046593	S F1	1200057	S G6	1201167	S A16	1201286	Q12
	ZW1	1200069	A22	1201168	A16	1201287	Q12
1046594	S F3		AA10	1201171	A8	1201288	Q12
	ZW1	1200077	A11	1201193	S A22	1201289	Q12
1046608	U1		AA5	1201200	N6	1201299	U1
1046609	W1	1200116	S M4	1201204	M4	1201302	T1
1046610	W1	1200154	M2	1201205	M4	1201304	T1
1046611	W1	1200155	M2	1201206	M4	1201305	T1
1046612	W1	1200199	W14		Q17	1201308	T1
1046613	W1	1200210	A16	1201208	Q15	1201309	T1
1046616	W2	1200236	A23	1201209	U1	1201314	T1
1046618	S W13	1200257	S G4	1201212	Q15	1201318	T1
1046619	ZU13	1200267	W3	1201214	R2	1201320	S T2
1046629	S W13	1200356	D1		RA2	1201327	YV8
1046630	S W12		E1	1201215	R3		YW5
1046632	W19		E2	1201216	U1		YX10
1046633	W22		DA1	1201217	F6	1201328	R3
1046640	W24		DB1		Q13	1201329	R3
1046642	W24	1200362	A22	1201218	R1	1201332	ZV1
1046643	W14	1200376	S N4	1201224	U1	1201334	A24
1046644	W22	1200395	Q2	1201227	S N6	1201338	W9
1046646	W13	1200402	N2	1201228	M2	1201339	Q5
1046647	W20	1200403	N3	1201229	M2		ZW2
1046648	W14	1200404	N4	1201233	R3	1201340	F8
1046668	W15	1200422	S G2		RA2	1201342	ZV1
1046669	W19	1200429	S G3	1201234	R3	1201346	W23
1046673	C1	1200435	S G3	1201238	R3	1201347	W24
1046674	C1	1200440	J1		RA3	1201349	F8
1046681	W18		ZW2	1201239	R3	1201350	Q12
1046716	W3	1200442	G2		RA3	1201354	F6
1046717	U1		G3	1201249	Q1		Q13

NUMERICAL INDEX

Part No.	Page No.	Part No.	Page No.	Part No.	Page No.	Part No.	Page No.
1201356	A24	1201436	G7	1201538	M3	1201658	YV10
1201361	N6	1201437	A24		MA3		YW6
1201363	S ZU11		AA11	1201550	W22		YX12
1201366	A21	1201440	M1	1201561	Q18		YX13
	ZU8		MA1	1201564	A15	1201660	R3
1201367	A21	1201441	M1		A19	1201661	R3
	ZU8		MA1		ZU1	1201663	S W13
1201368	A21	1201465	S M1		ZU2	1201666	R1
	ZU8	1201466	S1	1201565	S V2		ZW2
1201369	A21		ZW2	1201567	ZU1	1201667	R1
	ZU8	1201470	ZU11	1201580	Q17	1201673	D1
1201370	A21	1201471	ZU11	1201583	S D1	1201675	D1
	ZU8	1201473	Q7		F6	1201678	D1
1201372	ZU3	1201474	U2		Q14	1201682	Q15
1201373	ZU3	1201475	U2	1201585	U1	1201683	Q15
1201375	ZU1	1201476	Q7	1201590	M3	1201684	R1
1201377	ZU1	1201477	V1	1201593	D1		ZW2
1201378	ZU1	1201478	S V1	1201594	D2	1201685	S R1
	ZU2		VA1	1201596	D1	1201686	S W14
1201379	X2		VA2	1201601	D1	1201687	S W14
	ZU1	1201479	S V1	1201605	D1	1201689	Q13
	ZU2	1201480	T1	1201606	R3	1201690	M4
1201381	S ZU13	1201481	S T2	1201607	T1	1201691	M4
1201388	ZU13	1201482	S S1	1201608	R3	1201714	S G4
1201389	YW12		S2	1201609	S F7	1201716	A16
	ZU13	1201484	S2		Q14		A19
1201394	ZU1	1201485	Q12	1201610	F7		AA8
1201395	ZU1	1201486	Q12		ZW1	1201720	R2
1201398	Q1	1201487	S2	1201612	W23	1201729	G1
1201399	Q1	1201488	V2	1201615	S ZU13	1201820	G6
1201400	Q1	1201490	Q5	1201622	U1	1201821	G6
1201401	M3	1201491	Q7	1201623	ZV1	1201858	N4
1201402	M3	1201492	M4	1201624	M3	1201859	N4
1201403	N5	1201496	D2		MA3	1201860	N4
1201404	N5	1201498	D2	1201625	M3	1201870	N4
1201405	M3	1201502	A17		MA3	1201888	N5
	N5		ZU4	1201627	D1	1201901	A11
	MA3	1201514	R4	1201633	YV10		AA5
1201406	M3	1201515	R4		YW6	1201903	A12
	N5	1201522	R4	1201634	R2	1202029	M2
	MA3		RA3	1201635	R2	1202038	A14
1201409	Q2	1201523	R4	1201637	R2	1202043	A17
1201411	P1		RA3	1201638	R3	1202164	YW12
1201417	S ZU5	1201524	YV8	1201639	R3		YX8
1201418	ZU9		YX9	1201640	R1		ZU13
1201420	S ZU4	1201525	YV8		RA1	1202166	ZU1
1201425	A17		YW5	1201641	R1	1202168	ZU3
	ZU4		YX9		RA1	1202169	A12
1201426	A17	1201526	YV8	1201644	R3		AA5
	ZU4		YW5	1201645	YV8	1202187	A12
1201428	S A17		YX9		YW5	1202204	A8
	ZU4	1201527	ZU12	1201646	Q7		AA4
1201429	A17	1201532	N6	1201652	W23	1202232	Q17
	ZU4	1201533	N6	1201657	YV10	1202233	Q17
1201432	YV8	1201534	N6		YW6	1202235	N1
1201434	M4	1201535	N6		YX12	1202246	N1
1201435	M4	1201538	M2		YX13	1202288	C4

NUMERICAL INDEX

<i>Part No.</i>	<i>Page No.</i>	<i>Part No.</i>	<i>Page No.</i>	<i>Part No.</i>	<i>Page No.</i>	<i>Part No.</i>	<i>Page No.</i>
1202288	CA3	1203667	N2	1206061	T1	1206165	U2
1202354	G3	1203668	N2	1206068	ZV1	1206169	S M4
1202355	G3	1205012	G6	1206069	S F6		MA3
1202356	G2	1205031	J1		Q14	1206177	U2
1202357	G2		ZW2	1206070	F6	1206196	M1
1202363	G2	1205052	Q2		Q13	1206200	W20
1202367	G3	1205068	D1	1206072	Q5	1206212	U1
1202370	G2	1205069	D1		ZW2	1206213	S M1
1202371	G2	1205099	S G3	1206073	F7	1206214	Q7
1202412	A17	1205165	G1		ZW1	1206215	Q12
1202443	A6	1205202	S G6	1206074	F8	1206216	S V1
	AA2	1205203	S G7		Q14		VA1
1202456	G2		GA4	1206075	D1	1206221	W2
1202457	G2	1205382	S G6	1206077	F6	1206222	Q1
1202705	W16	1205464	M3		Q13	1206224	Q1
1202716	A13	1205469	G6	1206079	Q5		ZW2
	AA6	1205470	G6	1206080	D1	1206225	Q1
1202717	Q16	1205477	W10	1206088	R1		ZW2
1202916	G3	1205531	S G3		ZW2	1206242	D2
1202931	F7	1205543	S E1	1206089	R1	1206249	Q1
	ZW1		E2	1206094	P1	1206254	Q2
1203010	E1		DA1	1206095	P1		ZW2
	E2		DB1	1206111	W23	1206255	Q2
	DA1	1205552	S W3	1206114	Q1		ZW2
	DA2	1205576	W3	1206115	W11	1206256	Q1
1203030	Q17	1205705	G6	1206118	YW8	1206257	Q1
1203035	Q17	1205771	W2		YW5	1206258	M4
1203037	Q17	1205772	G5	1206129	YW8		MA3
	Q18	1205846	Q15		YW5	1206259	M4
1203039	Q17	1205876	G2	1206130	S S3		MA3
	Q18	1205877	S G3		ZW2	1206260	U1
1203056	G5	1205878	G3	1206131	S S3	1206261	R1
1203057	G5	1205886	S G5		ZW2	1206262	S R1
	GA4		GA4	1206134	M3		ZW2
1203067	G6	1205891	G5		N5	1206263	S R1
1203071	G7	1205946	MA2	1206135	M3	1206264	S W1
	GA4	1205949	MA1		N5		W1
1203072	G7	1205975	G3	1206136	M3	1206265	W1
1203073	G6	1206002	M3		N5	1206266	W2
1203074	G6	1206003	ZV1		MA3	1206269	Q15
1203076	G5	1206004	M3	1206137	M3	1206270	Q16
	GA4		N5		N5	1206271	M1
1203118	Q14	1206005	M3		MA3	1206272	RA1
1203225	W2		N5	1206139	D2	1206273	RA1
1203244	G6	1206006	S U1	1206141	S V1	1206274	RA1
1203455	Q18	1206011	V2	1206142	S V2	1206282	W13
1203524	G6	1206012	R2	1206143	S V2	1206294	RA3
1203562	F5	1206036	S1	1206146	Q1	1206295	RA3
	ZW1		ZW2	1206147	Q1	1206297	RA3
1203571	S Q15	1206038	S T2	1206152	Q1	1206299	M1
1203637	F6	1206039	S T2	1206158	D1	1206301	ZU8
1203645	S D2	1206045	S S2		E1	1206306	ZU8
1203646	C1	1206050	S2		DA1	1206307	ZU8
1203662	G6	1206056	T1	1206162	Q12	1206310	ZU8
1203664	N2	1206057	T1	1206163	Q12	1206311	ZU8
1203665	N2	1206058	T1	1206164	U2	1206312	ZU7
1203666	N2	1206060	T1				ZU8

NUMERICAL INDEX

<i>Part No.</i>	<i>Page No.</i>	<i>Part No.</i>	<i>Page No.</i>	<i>Part No.</i>	<i>Page No.</i>	<i>Part No.</i>	<i>Page No.</i>
1206317	A24	1206480	W20	1206621	RA2	1206937	S A7
	ZU7	1206485	S ZU1	1206623	U1		ZW1
1206319	ZU8	1206486	Q1	1206624	U1	1206948	T1
1206326	W24		ZW2	1206625	U1	1207031	T1
1206332	UA1	1206487	Q1	1206701	RA1	1207032	T1
1206333	UA1		ZW2	1206703	Q6	1207033	T1
1206336	UA1	1206489	Q11	1206705	Q7	1207034	S T1
1206340	UA1	1206490	W12		E1	1207035	T1
1206352	D1	1206494	W14		E2	1207036	S T1
	E1	1206495	R2		DA1	1207040	S T1
	DA1	1206496	S W14		DA2	1207041	S A13
	DB1	1206497	S W14	1206708	DA1	1207042	A6
1206353	D1	1206503	Q1	1206710	DA1		AA2
1206355	D1	1206506	U1	1206716	E1	1207074	S A13
1206357	Q7	1206507	U1		DA1		AA6
1206366	Q6	1206508	Q11	1206720	E1	1207095	F4
	ZW2	1206509	RA2		E2		H6
1206368	Q8	1206510	RA2		DA1	1207096	F4
	ZW2	1206512	S VA2		DA2	1207097	F4
1206369	Q11	1206513	S VA2		DB1	1207099	A14
1206370	Q11	1206516	R3	1206726	E2	1207115	A14
1206377	M1		RA2		DA2	1207164	G1
	MA1	1206517	R3	1206741	N6	1207165	G1
1206378	S M1		RA2	1206753	UA1	1207239	S2
1206380	W23	1206518	U2	1206754	UA2	1207244	S N6
1206388	RA2	1206519	Q12	1206755	UA1	1207438	R5
1206389	A17	1206520	Q12	1206763	S MA1	1207442	F5
1206390	S RA1	1206521	RA2	1206766	A16	1207471	N1
	ZW2	1206522	F6	1206770	A21	1207505	J1
1206391	S RA1		Q14	1206787	A12		ZW2
1206400	D2	1206524	RA2		AA5	1207530	E1
1206401	D2	1206528	S ZU3	1206789	A16		DA1
1206403	D2	1206530	ZU3	1206790	A16	1207563	S M2
	DB1	1206532	X4	1206796	A9	1207582	S M3
1206404	D1		ZU3	1206872	A12		N5
1206406	D2	1206533	ZU3	1206873	S A12	1207586	GA5
1206408	S VA1	1206535	S UA1	1206876	S A6	1207587	GA5
1206410	RA3	1206536	W12		ZW1	1207591	MA3
1206411	W24	1206538	Q7	1206880	A4	1207633	G5
1206418	W1	1206542	ZU3	1206882	S A4	1207648	N2
1206419	W3	1206548	UA2	1206884	S A4	1207649	N3
1206420	W24	1206550	Q7	1206893	S A7	1207793	MA2
1206421	W24	1206555	N4		ZW1	1207806	MA2
1206423	W8	1206560	RA2	1206897	A8	1207811	W2
1206425	ZV1		RA2	1206899	S A11	1207927	S N3
1206427	D2	1206563	RA2	1206900	S A13	1207928	S ZU10
1206429	RA2	1206579	D2		ZW1	1207968	A24
1206431	W23	1206582	G7	1206901	A13		AA11
1206437	W3		H7		AA6	1207973	S A10
1206439	TA1		GA5	1206902	A22		A21
1206455	Q1	1206585	S S1		AA10		ZU8
1206456	S Q15		ZW2	1206903	F5	1208021	E1
1206462	RA1	1206586	U1	1206904	A6		DA1
1206464	UA1	1206593	S Q16	1206906	S A13	1208260	J4
1206471	X3	1206594	S Q16		AA6	1208297	G6
1206478	X3	1206605	F5	1206909	A1		GA4
		1206611	Q6		AA1		

NUMERICAL INDEX

<i>Part No.</i>	<i>Page No.</i>	<i>Part No.</i>	<i>Page No.</i>	<i>Part No.</i>	<i>Page No.</i>	<i>Part No.</i>	<i>Page No.</i>
1208351	G5	1214047	G2	1214656	A21	1216074	G7
1208352	G6		G3	1214675	S A22	1216091	S G4
	GA4	1214048	G2		AA10	1216101	S G4
1208353	G6		G3	1214677	S A13	1216103	G7
1208354	G6	1214049	G2		AA6		GA4
1208368	F4		G3	1214684	W18	1216108	G1
1208406	E1	1214050	G2	1214742	UA2	1216120	GA1
1208418	F4		G3	1214744	CA1	1216181	S G4
1208472	MA2	1214085	S G2	1214753	A8	1216194	TA1
1208473	MA2		G2	1214754	S A13	1216198	Q17
1208620	A6		G3		AA6		Q18
	ZU7	1214233	W9		ZW1	1216199	Q17
1208623	A6	1214234	W9	1214758	S A22		Q18
	ZU7	1214236	W9	1214765	A11	1216235	TA1
	ZW1	1214239	N1		AA7	1216236	TA1
1208707	S A8	1214253	F4	1214783	A11	1216237	TA1
1208711	A17	1214255	F4	1214812	S MA2	1216238	TA1
	ZU7	1214266	F5	1214813	S MA2	1216343	A5
1208727	A7	1214295	M1	1214902	S S2	1216408	ZU8
1208737	A8	1214331	J1	1214930	S N6	1216417	H7
1208756	A7		ZW2	1214933	MA1	1216451	Q17
1208764	A16	1214395	W16	1215139	ZU7	1216452	Q16
1208767	A9	1214407	S M3	1215147	S G6		Q18
1208782	A7		N5	1215176	N2	1216453	G6
	AA3		MA3	1215191	D1		GA4
1208783	A7	1214432	S M3		E1	1216504	ZU8
	AA3	1214433	S M3		DA1	1216507	ZU8
1208784	A7	1214491	M1		DB1	1216520	G5
	AA3		MA1	1215287	ZU8		GA4
1208792	A6	1214524	S A17	1215384	W3	1216602	S ZU4
1208795	S A16	1214539	A16	1215396	S ZU11		ZU9
1208796	A16	1214554	A11	1215413	S ZU5	1216603	S ZU4
1208798	A16		AA7	1215425	S VA1		ZU9
1208802	S A9	1214572	F4	1215427	MA1	1216610	G1
1208809	A16		H6	1215429	ZU9	1216611	G1
1208817	A12	1214573	F4	1215432	ZU9	1216727	RA3
1208854	A17		H6		ZU10	1216728	S RA3
1208861	A23	1214579	A6	1215484	S G6	1216732	TA1
1208868	A6	1214585	F4	1215507	W16	1216739	W23
	AA2		H6	1215576	Q3	1216793	H5
1208876	A12	1214592	A17		Q4	1216794	H5
1208878	S A17	1214598	S A17	1215577	Q3	1216798	J4
1210144	N1	1214622	S A6		Q4	1216816	H3
	N2		ZW1	1215581	G6	1216831	N5
1210195	N1	1214624	S A11	1215582	S G6	1216832	N5
	N1		AA5	1215595	E1	1216837	H5
1210201	S G3	1214643	A16		E2	1216841	H5
	GA2		A19		DA1	1216869	Q2
1210241	MA3	1214647	A14		DA2	1216908	N1
1210242	M4		AA6	1215925	S ZU13	1216915	GA3
	MA3	1214648	A14	1216006	H1	1216920	UA2
1210243	MA3		AA6	1216041	G5	1216926	Q17
1210253	Q17	1214649	S A14	1216043	G5	1216945	ZU8
1210258	N6		AA6	1216044	G5	1216947	N5
1210392	F4	1214651	S A14	1216047	W16	1216949	S S2
1210393	S ZU5		AA6		ZU7	1217136	TA1
1210473	M4	1214652	S A14	1216064	G5	1217139	TA1

NUMERICAL INDEX

<i>Part No.</i>	<i>Page No.</i>	<i>Part No.</i>	<i>Page No.</i>	<i>Part No.</i>	<i>Page No.</i>	<i>Part No.</i>	<i>Page No.</i>
1217200	TA1	1218400 S	W18	1218771	AA4	1223588 S	W1
1217201	TA1	1218401 S	W18	1218782	A20	1223598 S	VA2
1217202	TA1	1218402 S	W18	1218784	A6	1223605	ZU4
1217203	TA1	1218403 S	W18	1218786	AA5	1223615	X3
1217206	TA1	1218426	A12	1218787	AA5	1223628	Q14
1217376	TA1		AA6	1218989	N1	1223634	Q14
1217377	TA1	1218435	A10		N2	1223642	W23
1217405	TA1	1218447	A20	1218990	N2	1223643	W23
1217466	TA1	1218452	A20	1219354	RA3	1223648 S	ZU4
1217820	YX8		A21	1219368	N5	1223662	H1
1217831 S	ZU13	1218453	A20	1219400	N2		ZW1
1217848	W11	1218455	A20	1219407	M1	1223665	J1
1217859	F6	1218465	UA2		MA1		ZW2
	Q14	1218467	A10	1219440	H1	1223666	J1
1217862	W11	1218538	A23	1219441	H1		ZW2
1217883	F7		AA11	1219448	W12	1223679	F4
	ZW1	1218539	A23	1219485	D2	1223701	W2
1217909	W1		AA11	1219501	U1	1223703	W16
1217910	W1	1218561	A23	1219504	UA1	1223742 S	W13
1217937	H7	1218568	A6	1219505	UA1		M2
1217954	G5	1218578	A20	1219506	ZU9	1223764	W23
1217955 S	G3	1218579	A20		ZU10	1223772	CB1
1217970	GA2	1218582	A17	1219507	ZU10	1223774	E2
1217989	W3		A20	1219510 S	ZU5	1223777	E2
1217994 S	W7		ZU4	1219552	W20	1223780	E2
1218007	ZU8	1218586	A20	1219553	W20	1223784	E2
1218016 S	U1	1218587	A14	1219554	W21	1223789	W9
1218031	W1	1218589	A19	1219555	W21	1223822	E1
1218032	W1	1218594 S	A13	1219556	W21	1223831	E2
1218035	W3		AA6	1219568 S	RA3	1223832	RA2
1218036	W3	1218621	A19	1219570	ZU1	1223838	F7
1218080	J1	1218624 S	A10		ZU2		ZW1
	ZW2		AA4	1219610	ZV1	1223840	W3
1218081	J1	1218625	W17	1219611	N1	1223841	W3
	ZW2	1218626	W17	1219625	W8	1223842	W3
1218100	W23	1218646	A19	1219626	W8	1223843	W3
1218101	W23	1218655 S	VA2	1219627	W8	1223892 S	S2
1218103	W3	1218661	A19	1219628	W8		ZW2
1218158	W5	1218672 S	A14	1219630 S	RA4	1223930	RA3
1218166	W16		A14	1219684 S	H5	1223931	RA3
1218172	G4		AA6		GA3	1223936	RA3
	GA2	1218678	F5	1219876	GA3	1223937	RA3
1218180	N4	1218681 S	A8	1223513	N1	1223942 S	RA3
1218202	RA2	1218696	A19	1223531	N4	1223946	H6
1218214	F4	1218715	AA4	1223540	W1	1223947	H6
1218220	N1	1218716	AA4	1223541	W1	1223948	H6
1218267	M3	1218717	AA4	1223545	X3	1223949	H6
	MA3	1218718	A8	1223546	ZU1	1223954	H6
1218272	N5	1218727	A18		ZU2	1223957	H6
1218273	N5	1218747	F5	1223552	F6	1223958	H6
1218347 S	A9	1218752	A19		ZW1	1223962	H6
1218378	A12	1218764	A6	1223555 S	A5	1223963	H6
1218380	A17		AA2	1223564	W18	1223964	H6
1218381	A17		ZW1	1223569	UA1	1223968	H7
1218382 S	A12	1218769	A20	1223574	VA2	1223969	H7
1218383 S	A12	1218770	A20	1223580	YX8	1223972	H7
1218394	A12	1218771	F4	1223587 S	W1	1223973	H5

NUMERICAL INDEX

<i>Part No.</i>	<i>Page No.</i>	<i>Part No.</i>	<i>Page No.</i>	<i>Part No.</i>	<i>Page No.</i>	<i>Part No.</i>	<i>Page No.</i>
1224155	W23	1224525	W1	1228282	DB1	1229355	DB1
1224162	Q7	1224527 S	GA2	1228356	ZU11	1229356	E2
1224171	ZU6	1224530 S	GA2	1228371 S	GA4		DA2
1224172	W18	1224532 S	GA2	1228390	W10	1229377	E1
1224173	W18	1224540 S	GA2	1228510	W23		DA1
1224174	W18	1224544 S	GA2	1228521	W9	1229378	DA1
1224175	W18	1224545	GA2	1228570	W18	1229379	DA1
1224176	W18	1224547 S	GA2	1228571	W18		DB1
1224207	RA3	1224548	Q10	1228572	W18	1229380	E1
1224211	TA1	1224578	GA2	1228573	W18		DA1
1224224	MA2	1224586	GA1	1228574	W18		DB1
1224225	MA1	1224593 S	GA2	1228638	W24	1229398	YX8
1224228	H7	1224595 S	GA1	1228639	W24	1229399	YX8
1224230	H7	1224599	GA3	1228640	F8	1229400	YX8
1224231	H7	1224603	M1		Q14	1229401	YX8
1224240	G6		MA1	1228657	Q8	1229405	E1
1224260 S	G2	1228000	A10		ZW2	1229408	H7
1224276 S	ZU1		AA4	1228660	Q13	1229412	H7
1224291	A18	1228003 S	A18	1228662	YX8	1229413	W12
1224295	UA2	1228004	A18		ZU13		W13
1224301	H5		AA8	1228688	RA2		ZU3
1224302	W1	1228005	A12	1228718 S	GA4	1229418 S	GA2
1224312	N1	1228009 S	A18	1228719 S	GA4	1229419 S	GA2
1224329	G5	1228010 S	A18	1228720 S	GA4	1229441	MA3
1224354	V1	1228011	A18	1228732	UA2	1229445	E1
	VA1	1228012	A18	1228778	W2	1229454 S	GA2
	VA2	1228017	A18	1228779	W2	1229456 S	GA2
1224355	W24	1228018	A18	1228806	W7	1229529 S	ZU10
1224358	Q17	1228027	A5	1228837	H7	1229530	ZU10
1224359	N1		AA2	1228853	H7	1229538 S	GA3
	Q17	1228028	A5	1228905 S	GA2	1229614 S	ZU3
1224377 S	VA2		AA2	1228906 S	GA2	1229650	MA2
1224380	W24	1228055	F4	1228908	YX8	1229651	MA2
1224381	W24	1228078	A12	1228910	YX8	1229674 S	ZU1
1224389	X3		AA6	1228933	S2	1229679	W16
	ZU2	1228103	A21	1228938	Q15	1229692	E2
1224399	ZU2	1228104	A21	1228949	ZU9		DA2
1224440	Q16	1228106	A21	1228981	W12	1229698	N4
1224441	ZU13	1228119	A19		W13	1229702	N4
	ZV1	1228153	A6		ZU3	1229719	N4
1224457	H6		AA2	1228982	W12	1229724	N4
1224460	Q2	1228163	F4	1228985	F8	1229729 S	ZU11
1224461	E1		H6		ZW1	1229750	Q16
1224463	H6	1228189	A6	1229068	GA4	1229782	Q16
1224500	GA1	1228194	AA4	1229289	AA1	1235073	A8
1224501	GA3	1228204	GA3	1229301	GA3		AA4
1224502	GA2	1228222	GA4	1229302	GA3	1235079	AA4
1224503 S	GA3	1228226	GA4	1229303	GA3	1235083	AA3
1224504 S	GA3	1228227 S	GA4	1229304	GA3	1235099	W18
1224505 S	GA3	1228256	W14	1229305	GA3	1235100	W18
1224506 S	GA3	1228258	GA4	1229312	W11	1235101	W18
1224509	GA3	1228259	GA4	1229318	H5	1235102	W18
1224510 S	GA2	1228270	GA4	1229320	H5	1235104	AA5
1224511 S	GA2	1228274	GA4	1229331	X3	1235105	AA5
1224513	GA3	1228281	E2	1229343	ZU3	1235108	A18
1224524	W1	1228282	E1	1229355	E2		AA8
			DA1		DA2	1235116	AA4

NUMERICAL INDEX

<i>Part No.</i>	<i>Page No.</i>	<i>Part No.</i>	<i>Page No.</i>	<i>Part No.</i>	<i>Page No.</i>	<i>Part No.</i>	<i>Page No.</i>
1235118	AA3	1235745	Q7	1236791	F8	1239717	P1
1235122	A6	1235746	N4	1236798	F8	1239718	N1
	AA2	1235747	N4	1237331	VA2	1239719	N2
1235133	W17	1235750	N4	1237332	VA2	1239752	W24
1235134	F4	1235766	N5	1237703	Q11	1239753	W24
	AA4	1235767	N5	1238000	AA4	1239754	W24
1235144	AA8	1235768	S N5	1238004	A4	1239812	W3
1235145	AA9	1235772	W3		AA1	1240002	AA9
1235148	S AA9	1235774	W3	1238007	AA9	1240007	AA3
1235149	S AA9	1235775	W3	1238013	AA3	1240012	AA7
1235151	A19	1235776	ZU4		ZW1	1240036	UA2
	AA8	1235778	W3	1238047	AA3	1240094	AA3
1235158	CC1	1235794	W24	1238066	AA9	1800016	F1
1235160	S AA8	1235795	W24	1238332	GA3		ZW1
1235176	AA9	1235806	W24	1238338	Q11	1800023	C1
1235178	AA9	1235815	S ZU9	1238388	GA2	1800024	C1
1235179	AA9	1235818	W12	1238390	GA4	1800082	W19
1235180	S AA10	1235821	ZU3	1238404	A12	1800101	C1
1235181	S UA2	1235822	DB1		AA6	1800102	C1
1235200	W13	1235840	W1	1238510	AA5	1800116	C1
	W14	1235841	W1	1238560	AA7	1800117	C1
1235202	W14	1235842	W1	1238581	A23	1800118	C1
1235203	W14	1235843	W1		AA11	1800119	C1
1235259	ZU2	1235900	B1	1238591	B1	1800176	ZU4
1235274	GA2		ZW1		ZW1	1800231	W19
1235291	F7	1235907	CC2	1238594	A10	1800247	F1
	Q14	1235909	AA3	1238595	A10		ZU7
1235292	F7	1235915	AA8	1238650	N1		ZW1
	Q14	1235930	AA2	1238651	N2	1800253	W11
1235331	H6	1235936	AA3	1238811	W2		W14
1235338	AA9	1235939	W18	1238829	X3		ZU11
1235479	W21	1235940	W17		ZU2	1800258	W8
1235513	N6	1235977	A13	1238848	UA1	1800259	F3
1235514	N6		AA6	1238861	W3		ZU7
1235515	N6	1235996	AA4	1238990	W24		ZW1
1235516	N6	1236344	S GA1	1238991	W24	1800261	W22
1235628	W15	1236364	W21	1239011	GA4	1800262	W22
1235640	W24	1236382	N1	1239013	GA4	1800274	W14
1235641	W24	1236409	ZU2	1239026	RA1	1800298	W13
1235648	S Q6	1236429	S ZU4		ZW2	1800354	C1
1235656	ZU2	1236443	S ZU4	1239027	RA1	1800355	C1
1235665	ZU2	1236454	F6	1239133	N1	1800356	W3
1235666	DB1		Q13		N2	1800376	W5
1235670	DB1	1236455	F6	1239134	N1		W6
1235674	DB1		Q13		N2	1800381	S W12
1235676	DB1	1236476	VA2	1239230	YX8		ZU4
1235677	ZU2	1236483	E2	1239234	AA9		ZU12
1235678	ZU2	1236490	S W7	1239235	AA9	1800385	W22
1235679	ZU2	1236600	GA2	1239238	W22	1800386	CA1
1235690	ZU2	1236602	GA2	1239314	N2	1800387	CA1
1235691	ZU1	1236608	Q2	1239414	GA2	1800388	CA1
1235712	GA1	1236702	N4	1239415	GA2	1800389	CA1
1235730	S GA1	1236713	GA3	1239455	AA2	1800390	W13
1235731	GA1	1236732	Q17	1239485	AA10	1800391	W13
1235732	GA1	1236757	ZU5	1239549	AA8	1800394	YX8
1235733	J4	1236783	F8	1239563	W11	1800399	W13
1235738	W20	1236790	F8			1800439	W8

NUMERICAL INDEX

<i>Part No.</i>	<i>Page No.</i>	<i>Part No.</i>	<i>Page No.</i>	<i>Part No.</i>	<i>Page No.</i>	<i>Part No.</i>	<i>Page No.</i>
1800439	W10	2117201	YV8	2200955	YV3	2201167	YV18
1800465	W5		YX8		YX3	2201169	S YV13
1800465	W7	2122320	YV1	2200962	S YV3		YX17
1800470	CB1		YW1	2200963	YV2	2201170	YV3
1800503	CB1		YX1		YW1	2201203	YV18
1800515	S ZU13	2122321	YV1	2200991	S YV2	2201206	YV9
1800521	W5		YW1		YW1	2201208	YV9
	W6	2122346	YV1	2200999	YV2	2201209	YV9
1800522	W6		YX1	2201008	YV4	2201211	W21
1800528	W6		YW1		YW2	2201212	X3
1800539	Q11	2122347	YV1		YX4	2201225	W21
1800540	Q11		YW1	2201009	YV4	2201229	X1
1800542	S F3	2122350	S YV1		YW2	2201232	X2
1800587	W22		YW1		YX4	2201233	X2
1800588	W22	2122358	S YV1	2201010	YV4	2201234	X2
1800589	S ZU9		YW1		YW2	2201236	YV8
1800592	CB1	2122359	S YV1	2201011	YV4	2201237	YV8
1800598	S F1		YW1		YW2	2201240	YV18
	ZW1	2122362	YV1	2201015	S YV3		YW11
1800600	S F3	2122363	YV1	2201030	YV14		YX29
	ZW1	2122364	YV1	2201031	YV14		YX32
	Q12		YW1	2201032	S YV1	2201243	YV13
1800628	Q12	2122365	YV1		YW1	2201246	S YV4
1800656	YX8	2122368	YV1	2201036	S YV2		YW3
1800699	CB1	2122369	YV1	2201037	S YV2	2201247	S YV4
1800702	CB1	2122373	YV1	2201038	YV2		YW3
1800703	CB1	2122380	YV1	2201039	YV2	2201248	W21
1800744	W15		YW1	2201046	YV2	2201251	S YV13
1800745	W15	2122382	YV1	2201047	YV2		YX16
1800746	W15	2122392	YV1	2201056	S YV3	2201262	S YV7
1800747	F3		YW1		YW2		YW4
	ZW1	2122393	YV1	2201057	S YV3	2201263	S YV7
1800749	F2		YW1		YW2	2201267	X5
	ZW1	2200900	X3	2201062	YV3	2201268	X5
1800761	F3		X4		YW2	2201270	X5
	ZW1	2200910	YV3	2201063	YV3	2201271	X5
1800881	CB1		YW2		YW2	2201273	YV16
1800892	W15	2200911	YV1	2201086	YV18		YW5
1800915	W17		YW1	2201115	YV14	2201274	X2
1800919	CB1	2200930	S YV2	2201116	W13		X3
1801080	F2	2200931	S YV2	2201117	YV5	2201275	X4
1801169	W21	2200936	S YV3	2201118	S YV4	2201276	X3
1801176	N4		YW2		YW3	2201279	X3
1801180	F3	2200937	S YV3	2201119	S YV4	2201282	X1
	ZW1		YW2		YW3	2201283	X5
1801188	W17	2200938	S YV3	2201120	S YV6	2201284	X4
1801190	CC1		YW2	2201121	S YV6	2201286	X2
1801191	CC1	2200939	S YV3	2201129	YV6		X3
1801197	W3		YW2	2201130	S YV17	2201287	X2
1801304	F2	2200944	S YV3		YW10	2201288	X2
1801306	F3		YW2		YX28	2201290	S X6
1801306	F3	2200945	S YV3		YX31		ZW2
1801562	F3		YW2	2201161	S YV18	2201292	S X6
	ZW1	2200948	S YV3	2201162	YV13	2201294	X6
1801565	F3		YW2	2201163	YV13	2201295	X6
	ZW1	2200949	S YV3	2201166	YV18	2201296	S X6
1801566	F3		YW2				
1801573	W13		YW2				
1801574	W13		YW2				

NUMERICAL INDEX

<i>Part No.</i>	<i>Page No.</i>	<i>Part No.</i>	<i>Page No.</i>	<i>Part No.</i>	<i>Page No.</i>	<i>Part No.</i>	<i>Page No.</i>
2201297	X6	2201400	YX11	2201525	YV9	2201638	YV16
2201299	X6	2201401	YV9	2201534	YV13		YV17
2201300	X6		YW5	2201535	YV13	2201642	YV12
2201301	S YV8		YX11	2201544	YV13	2201648	YV3
2201303	ZU10	2201402	YV9	2201545	YV13	2201649	YV3
2201308	YV1		YW5	2201546	YV13	2201657	YV17
2201316	YV7		YX10	2201552	YV10	2201670	X6
2201317	YV7	2201403	YV9	2201553	YV10	2201671	X6
2201318	YV7		YW5	2201559	YV10	2201695	YX17
	YW4		YX10	2201563	YV11	2201729	X6
2201319	YV7	2201405	YV12	2201565	YV16	2201732	YV17
2201328	YV3	2201406	X3	2201566	YV16	2201734	S YV5
	YX3		X4	2201567	YV16		YW3
2201329	YV3	2201416	ZU5	2201570	YV12		YX5
	YX3	2201418	YV12	2201572	YV16	2201735	S YV7
2201332	YV5	2201427	YV12	2201586	X4		YW4
2201333	YV5	2201432	YW5	2201587	X6	2201750	YV18
2201344	S YV5		YX10		YV10		YW11
	YW3	2201442	X6		YW6		YX29
	YX5	2201443	YV12	2201589	YV10		YX32
2201345	S YV5	2201444	YV12	2201590	YV7	2201751	YV18
	YW3	2201452	YV9	2201591	YV7		YW11
	YX5	2201453	YV9	2201592	X4		YX29
2201348	S YV3	2201454	S YV17	2201593	YV12		YX32
	YW2		YW10	2201594	YV11	2201758	W21
2201349	S YV3	2201455	S YV17	2201595	YV7	2201789	W21
	YW2		YW10	2201597	YV17	2201798	YV7
2201350	YV5	2201458	X2	2201597	YV17	2201799	YV16
	YW3	2201462	X1	2201600	X5	2201800	YV3
	YX5	2201463	YV13		YV14		YW2
2201352	YV13	2201464	YV12		YW7	2201801	YV3
	YX17	2201465	YV12	2201601	YX17		YV3
2201355	S YV7	2201465	YV12		X5		YW2
	YW4	2201467	YV12		YV14		YX4
2201358	X2	2201468	YV12		YV14	2201806	YV17
2201359	X2	2201469	YV12		YW7		YW10
2201360	X2	2201470	YV12	2201602	YX17	2201807	YV17
2201361	X2	2201471	YV12		X5		YW10
	X3	2201472	YV13		YV14	2201811	YV16
2201362	X2	2201473	YV13		YW7	2201814	YV4
	X3	2201474	S YV12	2201603	YX17		YV4
2201364	YV18	2201478	YV13		X5		YW2
2201365	YV18	2201479	YV13		YV14	2201816	YV17
2201378	YV9	2201480	YV13		YW7		YW10
	YW5	2201481	YV11	2201604	YX17	2201817	YV17
2201379	YV9	2201484	YV11		X5		YV17
	YW5	2201492	YV11		YV14		YW10
2201388	W13	2201493	YV11		YW7	2201818	YV16
2201389	YV12	2201495	X2	2201605	YX17	2201824	X5
2201392	R2	2201499	S ZU10		X5	2201832	YV14
2201393	YV5	2201502	YV12		YV14		YW7
2201394	S YV6	2201503	YV12		YW7	2201833	X5
2201395	S YV6	2201504	YW12	2201606	YX17		YV14
2201398	YV9		YX8		X5		YW7
2201399	YV9		ZU13		YV14		YX17
2201400	YV9	2201507	YV7		YW7	2201834	YV11
	YW5	2201517	YV12	2201616	YX17	2201836	YV6
		2201524	YV9	2201617	YV17	2201837	YV6
					YV17	2201838	YV18

NUMERICAL INDEX

<i>Part No.</i>	<i>Page No.</i>	<i>Part No.</i>	<i>Page No.</i>	<i>Part No.</i>	<i>Page No.</i>	<i>Part No.</i>	<i>Page No.</i>
2201839	YV18	2207563	YV9	2207775	YW6	2211904	S YV7
2201845	YV14	2207568	YV9	2207780	S YV7	2211905	S YV7
2201849	YV17	2207569	YV9	2207786	YV9	2211906	YV8
2201857	X4	2207577	YV12	2207787	YV9	2211907	YV8
2201869	X5	2207578	YV12	2207795	YV15	2211912	S YV7
2201870	X5	2207585	YV11	2207812	S X1	2211913	S YV7
2201872	YV7	2207590	YV6	2207814	S YV12	2211914	YV7
2201874	YV7	2207591	YV6	2207815	YV8	2211916	ZU1
2201875	YV12	2207592	YV8		YW5		ZU3
2201880	YV5	2207593	YV8	2207818	YV8	2211918	YV12
2201882	X4	2207604	YV7	2207819	YV8	2211919	YV12
2201892	X4	2207605	YV7	2207824	YV11	2211922	YV12
2201894	YV9	2207620	S X4	2207833	YV16	2211924	YV18
2201895	YV9	2207627	YV7	2207838	YV6	2211925	YV18
2201897	YV9	2207629	YV11		YW4	2211926	YV18
2201899	X3	2207630	YV11		YX7	2211927	YV18
	YX8	2207640	YV13	2207840	YV12	2211928	YV6
2202405	YV1		YX16	2207841	YV3	2211929	YV6
	YW1	2207641	YV13		YX3	2211932	S YV2
	YX1		YX16	2207842	YV9		YW1
2203386	YX10	2207644	YV2	2207843	YV9	2211933	S YV2
2203571	YV13	2207645	YV2	2207850	S YV2		YW1
2203939	YV18	2207648	S YV12	2207851	S YV2	2211934	YV2
2204299	X7	2207649	S YV12	2207868	YV9		YW1
2204300	X7	2207656	YV18		YW5	2211935	YV2
2204512	YX10		YW11	2207869	YV9		YW1
2206242	YV4		YX29		YW5	2211953	YV16
	YW3		YX32	2207873	YV14	2211954	YV16
	YX5	2207661	S YV8		YW9	2211955	YV16
2206243	YV4		YW5	2207874	YV14	2211966	YV10
	YW3	2207682	YV9		YW9		YW6
	YX5	2207683	YV9	2207875	X4		YX12
2206278	YV4	2207688	YV14	2207876	YV9		YX13
2206279	YV4	2207689	YV14	2207877	YV9	2212060	YV7
2207501	YV17	2207690	X4	2207878	YV18	2212061	YV7
2207502	YV17	2207691	X4		YW11	2212064	YV7
2207503	YV17	2207695	YV16		YX29	2212066	YV7
2207509	X5	2207696	YV16		YX32		YW4
2207510	X5	2207698	YV2	2207884	YV17	2212067	YV7
2207514	S YV2		YW1	2207886	ZU10		YW4
2207515	S YV2	2207705	S YV3	2207887	S ZU10	2212108	YV12
2207522	YV12	2207708	S YV2	2207888	S ZU10	2212120	S YV6
2207536	YV10	2207711	YV2	2207890	YV2	2212121	S YV6
2207537	YV10	2207713	S YV2	2207891	YV2	2212123	YV7
2207539	S YV11	2207718	S YV2	2208052	X7	2212138	YV11
	YV12	2207719	YV2	2208250	YV1	2212144	YV16
2207542	YV12	2207728	YW6		YW1	2212159	YV6
2207543	YV3	2207731	YV8	2208844	YV1		YW4
2207544	YV3	2207754	YV5		YW1		YX7
2207545	YV3		YW3	2208845	YV1	2212198	X1
2207549	YV12		YX5		YW1	2212202	YV16
2207556	YV9	2207755	YV5	2211054	X5	2212203	YV16
2207557	YV9		YW3	2211427	YV18	2212204	YV2
2207559	YV11		YX5		YX29		YW1
2207560	YV8	2207774	YV10		YX32	2212205	YV2
2207561	YV8		YW6	2211902	YV5		YW1
2207562	YV9	2207775	YV10	2211903	YV5	2212214	YV11

NUMERICAL INDEX

<i>Part No.</i>	<i>Page No.</i>	<i>Part No.</i>	<i>Page No.</i>	<i>Part No.</i>	<i>Page No.</i>	<i>Part No.</i>	<i>Page No.</i>
2212216	YV15	2212403	YV11	2212542	S YV6	2217071	YV18
2212225	S YV17	2212404	YV11		YW4	2217072	S YX8
2212232	YV2	2212412	YV5	2212543	S YV6	2217075	X5
	YW1		YW4		YW4	2217076	S3
2212233	YV2	2212413	YV5	2212549	YV17	2217086	YX10
	YW1		YW4		YX30	2217087	YX10
2212256	S YV6	2212414	YV9		YX32	2217127	YV8
	YW4	2212415	YV9	2212550	YW2	2217128	ZU1
2212257	S YV6	2212421	YV11	2212551	YW2	2217129	YX9
	YW4	2212426	S YV7	2212552	YV8	2217130	ZU3
2212260	YV6		YW4		YX9	2217131	YX9
	YW4	2212427	S YV7	2212553	YX9	2217134	YX9
2212261	YV6		YW4	2212560	S YV7	2217135	YX9
	YW4	2212428	YV6		YW4	2217136	YX9
2212262	YV5		YW4	2212563	YV7	2217138	YX11
2212266	YV6	2212436	YV17		YW4	2217143	YV2
	YW4	2212437	YV17	2212566	Q15		YV1
2212267	YV6	2212443	YV11	2212567	Q15		YX2
	YW4	2212448	YV11	2212589	X4	2217153	YV8
2212274	YV3	2212449	YV11	2212594	S X1	2217163	S YX1
2212275	YV3	2212458	YV3	2212925	S ZU9	2217166	S YX2
2212296	YV10	2212459	YV3	2213025	G7	2217167	S YX2
2212297	YV10	2212460	YV12		GA5	2217178	YV8
2212298	YV3	2212464	YV6	2213127	S ZU11	2217186	YX13
2212299	YV3	2212465	YV6	2213410	S ZU11	2217192	YX6
2212302	YV10	2212467	YV15	2213449	ZU11	2217193	YX6
2212304	YV10	2212470	YV11	2214327	GA4	2217195	YX6
2212307	YV10	2212472	YV11	2214710	S ZU10	2217196	YX6
2212308	YV8	2212474	YV11	2214712	ZU10	2217197	YX6
2212309	YV8	2212475	YV11	2214729	S ZU10	2217654	YV4
2212311	YV9	2212488	YX4	2214858	S ZU10		YV3
2212312	YV9	2212489	YX4	2214906	YX16		YX5
2212313	YV9	2212498	YV12		YX31	2217655	YV4
2212324	YV4		YW7	2215790	ZU11		YV3
	YW2	2212500	S YV11	2216406	YV4		YX5
2212332	YV7	2212506	YV6	2216407	YV4	2218044	YX2
2212333	YV7		YW3	2217010	YV7	2218045	YX2
2212344	YV5	2212507	YV6	2217011	YV7	2218048	YX2
	YW3		YW3	2217028	YV1	2218049	YX2
2212345	YV5	2212512	X4		YX1	2218058	S YV3
	YW3	2212513	X4	2217033	YV7		YW2
2212348	YV8	2212514	YV2	2217040	S YV18		YX3
2212349	YV8	2212522	YV3		YX30	2218059	S YV3
2212350	YV3	2212523	YV3		YX32		YW2
2212355	YV15	2212530	YV2	2217045	S YV2		YX3
2212358	YW7		YV3		YW1	2218076	YX1
2212362	YV1		YW1	2217047	X4	2218077	YX1
2212363	YV6	2212531	S YV3		YV2	2218092	YX2
	YW4		YW1		YX2	2218093	YX2
	YX7	2212532	YV6	2217050	X4	2218102	S YV3
2212374	YV11	2212533	YV6	2217064	S YV7		YW2
2212375	YV11	2212534	YV5		YW4		YX3
2212379	YV11	2212535	YV5	2217065	S YV7	2218103	S YV3
2212380	YV11	2212538	YV6		YW4		YW2
2212392	X2		YW4	2217068	X3		YX3
2212393	X2	2212539	S YV6	2217069	X3	2218108	YX1
2212402	YV11		YW4	2217070	YV18	2218109	YX1

NUMERICAL INDEX

<i>Part No.</i>	<i>Page No.</i>	<i>Part No.</i>	<i>Page No.</i>	<i>Part No.</i>	<i>Page No.</i>	<i>Part No.</i>	<i>Page No.</i>
2218138	YX2	2218456	YW1	2220743	UA1	2220911	YW2
2218139	YX2		YX2	2220754	S YX15	2220912	YW2
2218175	YX17	2218466	YX28	2220755	S YX15	2220913	YW2
2218190	S YX3	2218468	YX28	2220763	YX15	2220914	YW2
2218191	S YX3	2218469	YX28	2220766	S YX14	2220915	YW2
2218210	S YX2	2218471	YX12	2220768	YX12	2220916	YW7
2218211	S YX2	2218474	YX28	2220769	YX12	2220917	YW7
2218220	YX3	2218475	YX28	2220770	YX28	2220918	YW7
2218221	YX3	2218484	YX6	2220771	YX28	2220919	YW12
2218240	YX1	2218485	YX6	2220782	YX13	2220920	YW12
2218244	YX1	2218488	S YX6	2220783	YX13	2220922	YW12
2218262	YX17	2218489	S YX6	2220784	YX13	2220923	YW12
2218263	YX17	2218495	YX12		YX16	2220924	YW12
2218278	YX2	2218784	YV1	2220785	YX13	2220925	YW3
2218279	YX2		YW1		YX16	2220926	YW7
2218290	YX1		YX1	2220786	YX11	2220927	YW7
2218291	YX1	2218785	YV1	2220787	YX11	2220928	YW7
2218307	S YV3		YW1	2220806	YX27	2220929	YW7
	YW2		YX1	2220807	YX7	2220930	YW6
	YX3	2219124	ZU12	2220808	YX7	2220931	YW6
2218322	YX17	2219402	S ZU9	2220818	YX10	2220932	G6
2218326	YX4	2219402	ZU9	2220819	YX10	2220933	R2
2218358	W21		ZU10	2220820	YX10	2220934	X1
2218376	YV3	2219428	S ZU12	2220824	YX28	2220935	X1
2218376	YW2	2219987	S ZU4		YX31	2220936	R2
	YX4	2220700	X3	2220825	YX12	2220937	R2
2218380	YX12	2220701	X3	2220827	S YX7	2220938	X1
2218381	YX12	2220706	YX16	2220828	YX15	2220939	W14
2218387	S YX1	2220707	YX16	2220829	YX15	2220940	YW6
2218397	YX4	2220708	YX16	2220833	S YX7	2220941	YW5
2218398	YX4	2220709	YX16	2220838	YX28	2220942	YW5
2218399	YX4	2220712	YX15		YX31	2220943	YW6
2218404	X7	2220713	YX15	2220842	YX30	2220944	YW6
2218405	X7	2220714	YX13	2220843	YX30	2220945	U1
2218410	YV3		YX15	2220844	YX30	2220946	YW8
	YX3	2220716	UA1	2220845	YX30	2220947	YW8
2218418	S YX7	2220718	YX15	2220870	S YX13	2220948	YW8
2218419	S YX7	2220719	YX15		YX16	2220949	YW8
2218420	S YX7	2220720	YX14	2220871	S YX13	2220950	YW8
2218421	S YX7	2220721	YX14		YX16	2220951	YW8
2218423	S YX7	2220722	YX15	2220875	X5	2220955	YW5
2218425	S YX7	2220723	YX15	2220880	X5	2220956	YW5
2218426	YX7	2220725	YX16	2220885	YX5	2220958	YW7
2218427	YX7	2220727	YX15		YX7	2220960	R2
2218428	YX13	2220728	S YX15	2220886	S YX7	2220961	YW9
	YX15	2220729	S YX15	2220887	S YX7	2220963	YW8
2218429	YX6	2220730	S YX15	2220889	YX12	2220964	YW8
2218430	YX1	2220731	S YX15	2220891	YX7	2220965	YW7
2218431	S YX7	2220732	S YX14	2220900	YW2	2220966	YW7
2218432	YX6	2220733	S YX14	2220901	YW7		YW10
2218433	YX6	2220735	S YX15	2220902	YW2	2220967	YW10
2218439	YX4	2220736	YX15	2220903	YW7	2220968	YW6
2218446	YX3	2220737	YX15	2220904	YW7	2220969	YW11
2218447	YX3	2220738	YX16	2220905	YW8	2220971	YW11
2218454	YX6	2220739	YX16	2220906	YW8	2220974	YW9
2218455	YX6	2220740	ZU10	2220907	YW8	2220975	YW9
2218456	S YV2	2220741	YX20	2220910	YW8	2220976	YW9

NUMERICAL INDEX

<i>Part No.</i>	<i>Page No.</i>	<i>Part No.</i>	<i>Page No.</i>	<i>Part No.</i>	<i>Page No.</i>	<i>Part No.</i>	<i>Page No.</i>
2220977	YW9	2222929	YX27	2224720	YX1	2225853	S YX1
2220978	YW9	2222930	YX27	2224721	YX14	2225854	S YV1
2220979	YW9	2222931	YX27	2224728	YX14		YW1
2220980	YW9	2222976	YX5	2224729	YX14		YX1
2220981	YW9	2222977	YX5	2224730	YX14	2225856	S YV2
2220982	YW9	2222982	YX27	2224731	YX14		YW1
2220983	YW9	2222983	YX27	2224732	YX14		YX2
2220984	YW9	2223115	YX9	2224735	YX14	2225857	S YV2
2220985	YW9	2223121	YX10	2224740	YX14		YW1
2220986	YW10		ZU3	2224741	YX14		YX2
2220987	YW10	2223122	YX9	2224914	YX14	2225858	YW1
2220988	YW10		YX10	2224915	YX14	2225860	YV3
2220989	YW10	2223143	ZU4	2224916	S YX14		YW1
2220990	YW10	2223522	S ZU12	2224917	S YX14	2225861	YV3
2220991	YW10	2223525	ZU12	2224918	S YX14		YW1
2220992	YW10	2223590	X4	2224919	S YX14	2225869	YX4
2220993	YW10	2223684	S YX4	2224920	YX12	2225890	YX11
2220994	YW10	2223685	S YX4		YX13	2225891	YX11
2220995	YW10	2223759	YX8	2224921	YX12	2225892	YX11
2220996	YW10		ZU10		YX13	2225894	YX11
2220997	YW10	2223762	YX8	2224922	YX29	2225895	YX11
2220998	YW5		ZU10	2224923	YX29	2225896	YX11
2220999	YW5	2223763	YX8	2225150	YX7	2225898	YX11
2221000	YW5		ZU10	2225152	YX5	2225899	YX11
2221028	YW4	2223764	YX8	2225176	YX14	2225900	YX11
2221029	YW4	2223765	S ZU10	2225177	YX14	2225902	YX11
2221030	YW4	2223834	ZU10	2225184	S YV3	2225913	YX11
2221031	YW2	2223849	X1	2225185	S YV3	2225915	YX11
2221032	YW2		YX17		YX3	2225920	YX11
2221054	YW8	2223867	YX7	2225186	S YV2	2225921	YX11
2221056	YW8	2223872	YX4		YW1	2225925	YX11
2221057	YW11	2223873	YX4		YX2	2225926	YX11
2221058	YW11	2223874	YX16	2225187	S YV2	2225957	ZU12
2221067	YW6	2223875	YX16		YW1	2226200	YX1
2221068	YW6	2223886	YX29		YX2	2226203	YX7
2221073	YW6		YX32	2225188	YX1	2226208	YX16
2221074	YW6	2223887	YX29	2225189	YX1	2226209	YX16
2221117	YW6		YX32	2225190	YX1	2226210	YX16
2221130	YW12	2223890	X4	2225191	YX2	2226211	YX16
2221131	YW12	2223898	X4	2225277	X1	2226212	YX30
2221197	YW2	2224367	S ZU11		YX17		YX32
2221198	YW2	2224560	YX14	2225278	X1	2226213	YX30
2221199	YW2	2224570	YX14	2225303	S ZU4		YX32
2221860	YV4	2224571	YX14	2225390	YX29	2226214	YX30
2221861	YV4	2224572	YX14		YX32		YX32
2222312	YX29	2224578	YX14	2225673	YX15	2226215	YX30
2222313	YX29	2224586	YX14	2225751	W22		YX32
2222314	YX29	2224587	YX14	2225773	YX8	2226219	S YX7
2222315	YX29	2224597	YX13		ZU10	2226232	YX12
2222316	YX29	2224598	S YX13	2225850	YX2	2226242	YX13
2222317	YX29		YX15	2225851	YX2		YX16
2222334	YX12	2224702	S YV3	2225852	S YV2	2226243	YX13
2222346	YX27		YX4		YW1		YX16
2222348	S YX4	2224704	S YX2		YX2	2226245	YX13
2222349	S YX4	2224705	S YX2	2225853	S YV1		YX16
2222498	YX9	2224706	YV3		YW1	2226248	YX7
2222499	YX9		YX3				

NUMERICAL INDEX

<i>Part No.</i>	<i>Page No.</i>	<i>Part No.</i>	<i>Page No.</i>	<i>Part No.</i>	<i>Page No.</i>	<i>Part No.</i>	<i>Page No.</i>
2226257	YX4	2228922 S	YX3	2233182	YX9	2235597	YX16
2226272	YX3	2228923 S	YX3	2233229 S	ZU10	2235598	YX7
2226283	YX1	2228926	YX11	2233271	X7	2235599	YX7
2226284	X1	2228927	YX11	2233567	X7	2235704	YX6
2226288 S	X1	2228930	YX29	2233606	YX4	2235705	YX6
2226289 S	X1	2228931	YX29	2233608	YX4	2235707	YX6
2226290 S	X2	2228932	YX29	2233610	YX15	2235714	YX6
2226291 S	X1	2228933	YX29	2233611	YX15	2235715	YX6
2226293	YX13	2228937	YX30	2233614	YX7	2235717	YX7
2226304	UA1	2228938	YX6	2233631	X5	2235725	YX2
2226305	UA1	2228959	YV1	2233826 S	ZU12	2235728	YX10
2226310 S	UA1		YX1	2233827 S	ZU12	2235729	YX10
2226360	X6	2228963 S	YX28	2233828 S	ZU12	2235740	YX2
2226426	YX11		YX31	2233829 S	ZU12	2235741	YX2
2226427	YX11	2228966	YX28	2233830 S	ZU12	2235746	X4
2226483 S	X6		YX31	2233831 S	ZU12	2235747	X4
2226525	ZU4	2228967	YX28	2233832 S	ZU12	2235748	X4
2226542	YV1		YX31	2233833 S	ZU12	2235749	X4
	YW1	2228974	X5	2233834 S	ZU12	2235992	X1
	YX1	2228979 S	ZU10	2233835 S	ZU12		YX17
2226543	YV1	2228990	YX30	2233836 S	ZU12	2236004	X4
	YW1		YX32	2234651	X7	2236006	YX1
	YX1	2228999	UA1	2234710 S	ZU6	2236026	YX29
2226612	H7	2229913 S	ZU10	2234822	YX3	2236027	YX29
2226614	YX1	2230164	YX11	2234823	YX3	2236031	YV1
2226615	YX1	2230165	YX11	2235002	YX2		YW1
2227512	YX5	2230166	YX11	2235003	YX1		YX1
2227513	YX5	2230167	YX11	2235004	YX2	2236072 S	ZU12
2227519 S	ZU12	2230236	YX11	2235005	YX2	2236073 S	ZU12
2227520 S	ZU11	2230237	YX11	2235014	YX2	2236082	W11
2227522 S	ZU11	2230798	YX5	2235033	YX4	2236185 S	ZU4
2227552	YX17	2230799	YX6	2235034	YX3	2236186 S	ZU4
2227553	YX17	2230800	YX6	2235181	ZU12	2236312	YX9
2227556 S	YX8	2230801	YX6	2235188	YX8	2236375 S	ZU10
	YX8	2230808	YX6	2235235	YX8	2236395 S	ZU12
2227557	ZU12	2231205	W11		ZU10	2236396 S	ZU12
2227560	YX10	2231220	YX9	2235321	ZU12	2236397 S	ZU12
2227561	YX10		YX10	2235390	W21	2236478 S	ZU12
2227604	YX14	2231230	YX9	2235391	W21	2236479 S	ZU12
2227605	YX14	2231231	YX9	2235402	YV1	2237052	YX30
2227681	YX9	2231258	X1		YW1	2237056	YX1
2227692	YX9		YX17		YX1	2237057	YX1
	YX10	2231259	X2	2235422	ZU2	2237058	YX3
2227711	ZU10	2231459	YX1	2235436	YX7	2237059	YX3
2227756	YX9	2232380	YV8	2235480	X4	2237074	YX30
2227757	YX9		YX10	2235481	X4	2237079	X5
2227758	X2	2232382	YX2	2235482	X4	2237684	YX8
2227790	YX9	2232383	YX2	2235483	X4	2237732	ZU12
2227791	YX9	2232446	YX1	2235552	UA1	2237733	ZU10
2227792	YX9	2232816	YX9	2235553	UA2	2237754	YX1
2227793	YX9	2232817	YX9	2235554	UA1	2237755	YX1
	YX10	2233012	YV4	2235555	UA1	2237772	YX2
2227794	YX9		YX4	2235594	YX13	2237773	YX2
	YX10	2233013	YV4	2235595	YX13	2237776	YX2
2227825 S	ZU13		YX4	2235596	YX13	2237777	YX2
2227916	ZU6	2233108	YX17		YX16	2237778	YX7
2227917	ZU10			2235597	YX13	2239056	X3

NUMERICAL INDEX

<i>Part No.</i>	<i>Page No.</i>	<i>Part No.</i>	<i>Page No.</i>	<i>Part No.</i>	<i>Page No.</i>	<i>Part No.</i>	<i>Page No.</i>
2239079	W22	5030669	Q5	5037259 S	S1	5037357	Q3
2239502	YX3		Q6	5037260	S1	5037358 S	Q3
2239503	YX3	5030670	Q5	5037261	S1		Q5
2239520	YX2		Q6	5037262	S1	5037359	Q3
2239521	YX2	5030671	Q5	5037263	S1	5037360	Q3
2239522	X4		Q6	5037268	Q15	5037361	Q3
2239524	YX4	5030672	Q5	5037269	Q15		Q5
2239525	YX4		Q6	5037270	Q15	5037362	Q3
2239527	YX14	5030673	Q6	5037271 S	Q15	5037363	Q5
2239534	YX14	5030674	Q6	5037272 S	Q15		Q6
2239535	YX14	5030686 S	Q8	5037273	Q15	5037364	Q5
2239536	YX15	5030686	Q10	5037274 S	W8		Q6
2239537	YX15	5030694	Q10	5037275 S	W8	5037365	Q6
2239538	ZU10	5030713	Q6	5037276 S	W8	5037367	Q6
2239543	YX1	5030717	W8	5037277	W8	5037368	Q6
2239544	YX1	5030775	W14	5037278	W9	5037369	Q6
2239546	W7	5030856 S	W17	5037280 S	W20	5037370 S	Q6
2239548	YV1	5030868	W15	5037281 S	W20	5037371	Q7
	YX1	5031039	B1	5037284	W25	5037372 S	D2
2239562	UA1	5031040	B1	5037285	W25	5037373 S	D2
	UA2	5031043	B1	5037286	W13	5037374 S	J1
2239563	UA1	5031044	B1	5037287	W13	5037382	ZU9
2239757	YX8	5031048	YX5	5037288	W13	5037383	ZU9
2239866	X2	5031066	J4	5037291	W17	5037385 S	ZU9
2243220	X6	5031068	J4	5037292	W4	5037386 S	ZU9
	ZW2	5031113	J4	5037293	W4	5037400	J3
2243568	ZU12	5036981	R4	5037294 S	W4	5037401	J3
2243571	ZU12	5036982	R4		W5	5037402	J3
2244430	YX8	5037032	ZU6		W7	5037403	J3
2244431	YX8	5037033	ZU6	5037338	W1	5037404	J4
2244522	ZU12	5037045	J1		W2	5037405	J4
2244530	ZU12	5037048 S	W4	5037339	W3	5037406	J4
2244532	ZU12	5037060 S	W4	5037340 S	W2	5037415	J3
2245593	YV1		W5		W5	5037416	J3
	YX1		W6	5037341 S	W2	5037420	J3
2245656	ZU12		W7	5037342	U1	5037421	W23
2513082 S	ZU5	5037061	W4	5037343 S	Q1	5037422	W23
2513132	YV15		W5		ZW2	5037424	ZU13
2513157	YV11		W6	5037344	Q1	5037425	ZU9
	YV15	5037063 S	W4		Q2	5037426	ZU9
2513315	YV15		W5	5037345	Q1	5037427	ZU9
2513362	ZU6		W6		Q2	5037428 S	ZU9
2513363 S	ZU6	5037063	W7	5037346	Q1	5037441 S	YV13
2516288	YX20	5037064	J3		Q2		YX16
2519726	YX27	5037069	J2	5037347 S	Q1	5037442 S	YV13
2520853	YX20	5037072	CB1		Q2		YX16
3001060	YV13	5037079	ZU11	5037348	Q1	5037443	YV13
3059885	U1	5037080	J3		Q2		YX16
5030133	W10	5037087 S	R2	5037349	Q1	5037444	YV13
5030142	W22		RA2		Q2		YX16
	W23	5037252 S	P1	5037351 S	Q3	5037445	YV13
5030170	ZU6	5037253	R1		Q5		YX16
5030171	ZU6	5037254	R1	5037352 S	Q3	5037446	YV13
5030173	F7	5037255 S	R1		Q5	5037453	C1
5030224 S	A9	5037256 S	R1	5037355	Q3		CA1
5030240 S	W2	5037257	R1		Q5	5037455	C2
5030668	Q5	5037258	R1	5037356	Q3	5037456	C2

NUMERICAL INDEX

<i>Part No.</i>	<i>Page No.</i>	<i>Part No.</i>	<i>Page No.</i>	<i>Part No.</i>	<i>Page No.</i>	<i>Part No.</i>	<i>Page No.</i>
5037456	CA1	5037677	Q3	5038344	S1	5038918	W19
5037463	W22	5037678 S	Q4		S2	5038920	W19
5037464	W22	5037683 S	Q3	5038345	S1	5038928	W5
5037465	A17		ZW2	5038346	S1		W7
	ZU4	5037684	Q3		S2	5038933	F7
5037466	A17	5037753	Q9	5038347	S1	5038988	F1
	ZU4	5037754 S	Q9	5038375	F7		ZU7
5037467	A17	5037755 S	Q8		F8	5039057	J3
	ZU4	5037758	Q9	5038376 S	F7	5039059	Q7
5037490	C1	5037760 S	Q9	5038377	F1	5039062	Q6
5037491	C1		Q10	5038378	F1	5039190	J1
5037492	C1	5037771	C1	5038379	F1	5039191	J2
	CA1	5037772	C1	5038380	F1	5039199	C3
5037493	C1	5037774	C3	5038381	F1		CA2
5037494	C1		CA2	5038382	F1	5039200	C3
5037495	C3	5037776	ZU4	5038383	F1		CA2
5037501	W19	5037785	F5	5038384	F1	5039201	C1
5037516	C1		F6	5038385	D2	5039202	C1
	CA1	5037786	F5		DA2	5039204	C1
5037517	C1		F6	5038386	D2		CA1
	CA1	5037856	Q9	5038417	J2	5039205	C1
5037518	C3	5037925	A9	5038418 S	J2		CA1
	CA2	5037926 S	A9	5038424	Q5	5039206	C1
5037519	W20	5037927 S	A9		Q6	5039207	C4
5037520	W20	5037928	A9	5038425	Q6		CA2
5037521 S	W20	5037929 S	A9	5038483 S	A17	5039208	C4
5037524	W16	5037930	A9		A20		CA2
	W17	5037931	A9	5038484	W2	5039215	F7
	ZU7	5037932	A9	5038495 S	P1	5039221	C2
5037533	F7	5037935	J2	5038500	Q5		CA1
5037542	F7	5037936 S	J2		Q6	5039222	C2
5037543 S	W15	5037937 S	J2	5038504	J2		CA1
5037544	W15	5037973	J2	5038513	Q6	5039250	W15
5037545	W16	5037980	F7	5038514 S	Q7	5039274	C2
	ZU7	5037982	W19	5038548	CC1		CA1
5037550 S	Q3	5037985	W17	5038743	YX5		ZU7
5037568	R4	5037988	J2		YX7	5039275	C2
5037599	W4	5038012	W1	5038860	J2		ZU7
	W5	5038033	ZU6	5038861	MA2	5039329	Q8
	W8	5038067	W14	5038862	MA2		Q10
	W10	5038069	W2	5038863	MA1	5039330	Q8
5037603	M2	5038137 S	RA1	5038864	R5		Q10
5037604	R5	5038172	W22		RA4	5039332	Q8
5037606	W20	5038192 S	F5	5038865	MA1		Q10
5037607	E2		F6	5038866	MA2	5039335	Q9
5037612 S	R1	5038243 S	R5	5038867	MA2		Q10
	RA1	5038245 S	R5	5038868	MA2	503933	Q9
5037613 S	R1	5038247	R5	5038869	Q15		Q10
	RA1	5038319	J4	5038872 S	J3	5039339	Q10
5037620 S	W9	5038320	M2	5038875	M4	5039340	Q10
5037621 S	W9		MA2		S3	5039341	Q10
5037622	W9	5038321	M2		MA3	5039342	Q10
5037625	W9		MA2	5038876	M4	5039343	Q10
5037628	C1	5038324	S3		S3	5039344	Q9
5037666	W4	5038340 S	W20		MA3		Q10
5037675 S	Q3	5038341	W20	5038897	W20	5039345	Q10
5037676 S	Q3	5038343 S	S1	5038898	W10	5039385 S	Q9

NUMERICAL INDEX

<i>Part No.</i>	<i>Page No.</i>	<i>Part No.</i>	<i>Page No.</i>	<i>Part No.</i>	<i>Page No.</i>	<i>Part No.</i>	<i>Page No.</i>
5039385 S	Q10	5039819	H2	5039874	H4	5039956 S	H4
5039388	Q8	5039820	H1	5039875 S	H4	5039957	H5
	Q10		H8	5039876	H4	5039958 S	H5
5039424	ZU8	5039821	H2	5039877	H4		H8
	ZW2		H8	5039878	H4	5039960	H5
5039425	ZU8	5039822 S	H2	5039879 S	H4	5039969	H3
	ZW2	5039823	H1	5039880	H4		H8
5039453	R5		H8	5039881 S	H4	5039971	H4
	RA4	5039824 S	H2	5039882	H4	5039972 S	H4
5039455	R5	5039825 S	H2	5039883	H4	5039973	H2
	RA4	5039826 S	H2	5039884 S	H4		H8
5039460	CB1	5039829 S	H2	5039885	H4	5039976	W22
5039492 S	W9	5039830	H2	5039886 S	H4		W23
5039493	W9	5039831	H2	5039887	H4	5040105	W8
5039494	W9		H8	5039888 S	H4	5040106	W8
5039495	W9	5039832	H2	5039889 S	H3	5040107	W8
5039496	W9		H8	5039890	H3	5040130	ZU7
5039497	W9	5039833	H2	5039891 S	H4	5040139	P1
5039533	W14		H8		ZW1	5040142	ZU8
5039534	W14	5039834	H2	5039896	H4	5040146	W8
5039585	W11	5039835	H2		H8	5040147	F1
5039586	W11		H8	5039898	H4		ZU7
5039588	J1	5039836	H2		H8	5040149	J1
5039594	RA4		H8	5039903	H4	5040154	W9
5039657	M2	5039837	H2		H8	5040155	W9
	MA2		H8	5039904	H4	5040194 S	Q3
5039658	MA2	5039838	H2	5039906	H4	5040207	C1
5039665	J2		H8		H8	5040209	C1
5039666	J3	5039839	H2	5039909	H4	5040210	C1
5039685	W4	5039840 S	H2		H8	5040216	C3
	W5	5039841 S	H2	5039915	H4		CA2
5039704 S	W4	5039842 S	H2		H8	5040220	Q8
	W5	5039843 S	H2	5039919	H4		ZU5
5039708	Q3	5039844 S	H2		H8		ZW2
	Q5	5039845	H2	5039925	H4	5040221	W22
5039709 S	Q3	5039848 S	H2		H8	5040222	Q8
5039710	Q3	5039850	H2	5039928	H4		ZU5
5039747	W14	5039851 S	H3	5039930	H4	5040223	Q8
5039756	Q8	5039852	H3	5039932	H4		ZU5
	ZU6		H8		H8	5040226	C2
5039757	W8	5039853 S	H3	5039933	H4	5040227	C4
5039759 S	Q1	5039854	H3		H8	5040229 S	CA3
	Q2	5039855	H3	5039937 S	H4	5040239	Q10
5039800	H1	5039857	H3	5039938 S	H4	5040240	Q8
5039801	H1	5039860 S	H3	5039939	H4		ZU6
5039802 S	H1	5039861	H3	5039944 S	H5	5040241	W19
	ZW1	5039862 S	H2	5039945 S	H5	5040256	W5
5039805	H1	5039863	H3	5039946 S	H5		W7
5039806 S	H1	5039864	H3	5039947	H5	5040279	Q8
5039811 S	H1	5039866 S	H3	5039948	H5	5040287	Q10
5039811	H8	5039867	H3	5039949	H5	5040288	Q8
5039812	H1	5039868	H3	5039950 S	H5		Q10
	H8	5039870 S	H3	5039951 S	H5	5040345	W8
5039813	H2		H3	5039952 S	H4		W9
5039814	H2	5039871 S	H3	5039953	H4	5040346	W9
5039815 S	H2	5039872 S	H4	5039954 S	H4	5040360	W16
5039816 S	H2	5039873	H4	5039955	H4		W17

NUMERICAL INDEX

<i>Part No.</i>	<i>Page No.</i>	<i>Part No.</i>	<i>Page No.</i>	<i>Part No.</i>	<i>Page No.</i>	<i>Part No.</i>	<i>Page No.</i>
5040360	ZU7	5041041	ZU13	5041267	CB1	5041420	W6
5040361	F5	5041042	ZU13	5041275 S	Q3	5041438	ZU5
	ZW1	5041043 S	W5		Q5	5041477	CB3
5040362 S	H1		W6	5041276 S	Q3	5041478 S	CB3
	H8	5041046 S	RA4		Q4	5041479	CB3
5040363 S	H1	5041047 S	RA4		Q5	5041480	CB3
5040364	H1	5041048	W5	5041277 S	Q4	5041522	B1
5040365	H2		W7		Q5	5042020 S	CB3
	H8	5041050	ZU11	5041280	CB1	5042053	DA2
5040366 S	H8	5041067	R1	5041281	CB1	5042054	W6
5040367 S	H8		RA1	5041282	CB1	5042059	F7
5040368 S	H8	5041068	R1	5041283	CB1		F8
5040369 S	H8		RA1	5041284	CB2	5042061	W5
5040370	H2	5041069 S	RA1	5041285	CB2		W7
	H8	5041070 S	RA1	5041286	CB2	5042062 S	S2
5040379	H8	5041072 S	RA1	5041287	CB2	5042063	S2
5040413	J3	5041073 S	RA1	5041288	CB2	5042064	S2
5040453	CB2	5041075 S	RA1	5041289	CB2	5042065	W16
5040454	CB2	5041077	RA1		CB3		W17
5040459 S	CB3	5041078	RA1	5041290	CB2	5042066 S	S2
5040472	CB3	5041080	W11	5041291	CB2	5042175	W13
5040539	A9	5041084	D2	5041292	CB2		W14
5040540 S	A9	5041087 S	Q2	5041293	CB3	5042225	H3
5040541 S	A9		ZW2	5041294 S	CB3	5042226	H3
5040609	W16	5041092 S	Q3	5041295	CB3	5042230 S	W1
	W17		Q5	5041296	CB3	5042266	ZU5
5040629	W16	5041104	Q4	5041297	CB3	5042268	F8
5040662	UA1		Q5	5041298	CB3	5042269	CB2
5040663	UA1	5041105	Q4	5041299	CB3	5042287	UA1
5040667	A17		Q5	5041300	CB3	5042288 S	UA1
	A20	5041106 S	Q4	5041301 S	CB3	5042291	W1
5040706	Q6		Q5	5041307	H1	5042317 S	W8
5040707	W11	5041107	Q6	5041314	W8	5042318 S	W8
5040799	Q10	5041108	Q6	5041315 S	A10	5042319 S	W8
5040876	MA1	5041109	J4		AA4	5042320	W8
5040902 S	E2	5041112	Q9	5041316	A10	5042321	W8
5040905	F8	5041113	Q9		AA4	5042322 S	W8
5040954	F8	5041114	Q9	5041317 S	A10		W10
5040956 S	F8	5041115	Q9		AA4	5042323	W8
5040957 S	F8	5041116 S	Q9	5041318 S	A10	5042331	W1
5040958 S	F8	5041117 S	Q9		AA4	5042351	F2
5040960 S	F8	5041118 S	Q9	5041388	CB1	5042355	F1
5040964	CA1	5041120 S	S1	5041389	CB1	5042356	F1
5040965	CA1	5041121	W20	5041390	CB1	5042357	F2
5040966	CA1	5041204 S	Q8	5041391	CB1	5042358	F2
5040967	CA1	5041215 S	W20	5041392	CB1	5042359	W8
5040969	CA2		W21	5041393	CB1	5042415	W10
5040986	CA2	5041216 S	W20	5041394	CB2	5042418	W10
5041012	J3		W21	5041395	CB3	5042420	F3
5041013	J3	5041217 S	W20	5041396	CB3	5042421	Q9
5041014	J4		W21	5041397	CB3		Q10
5041015	J1	5041218	P1	5041398	CB3	5042422	Q10
5041019	Q7	5041254	W12	5041399	CB3	5042423	Q9
5041029	C1	5041255	W12	5041400	Q6		Q10
5041030	C1	5041256	W23	5041401	Q6	5042424	Q9
5041031	C1	5041257	W23	5041417	W5		Q10
5041040	RA4	5041258	W23	5041419	Q7	5042425	Q10

NUMERICAL INDEX

<i>Part No.</i>	<i>Page No.</i>	<i>Part No.</i>	<i>Page No.</i>	<i>Part No.</i>	<i>Page No.</i>	<i>Part No.</i>	<i>Page No.</i>
5042488	Q15	5043215	CC1	5043709	W17	5044251	CC2
5042552	A21	5043222	CC1	5043735	CB3	5044252	CC2
5042584	Q10	5043224	CC2	5043741	W20	5044253	CC2
5042587	CB2	5043226	CC2		W21	5044254	CC2
5042601	F2	5043228	CC2	5043751	F8	5044255	CC1
	F3	5043229	CC2	5043761	H3	5044256	CC2
5042602	F2	5043230	CC2	5043762	S H3	5044257	CC1
5042603	F2	5043231	CC2	5043780	W4	5044258	CC1
	F3	5043232	CC2		W5	5044259	CC2
5042604	F2	5043235	CC2		W6	5044260	CC2
5042605	F2	5043236	CC2	5043787	F3	5044261	CC2
5042606	F2	5043239	CC2	5043797	F2	5044262	CC2
5042607	F1	5043243	CC2		F3	5044264	CC2
	F2	5043247	CC2	5043839	B1	5044265	CC2
5042608	F2	5043248	CC1	5043840	B1	5044266	CC1
5042609	F2	5043249	CC1	5043855	W14	5044267	CC1
5042610	F2	5043273	H3	5043856	W14	5044268	CC1
	F3	5043274	H3	5043857	W14	5044270	CC1
5042613	W20	5043275	H3	5043860	A18	5044271	CC2
5042631	J2	5043276	H2		AA8	5044273	CC2
5042632	J2	5043277	H2	5043889	CC1	5044277	CC2
5042675	ZU11	5043284	RA1	5043895	AA3	5044280	CC2
5042676	ZU11	5043367	MA2	5043897	AA3	5044281	CC1
5042704	H4	5043368	MA2	5043898	AA3	5044282	CC1
5042706	Q7	5043370	A21	5043899	AA3	5044283	CC1
5042714	MA2	5043371	A21	5043900	AA3	5044284	CC1
5042715	MA2	5043372	A21	5043901	AA3	5044285	CC1
5042722	W5	5043381	F2	5043902	AA3	5044324	W22
	W7	5043414	H1	5043916	H4		W23
5042790	RA4	5043462	ZU11	5043928	H1	5044325	Q4
5042791	RA4	5043463	F1	5043930	H5		ZW2
5042937	J3	5043464	F1	5043932	B1	5044327	Q4
5042945	W20		F2	5043949	AA4	5044328	Q4
5042955	F1	5043465	F1	5044107	H2	5044329	Q4
	F2	5043466	F1	5044108	H2	5044330	Q4
5042957	F1	5043467	F1	5044109	H2	5044331	Q4
5042958	F1		F2	5044115	H4	5044332	Q4
5042959	F2	5043509	W15	5044124	H8	5044333	Q4
5042960	F2	5043510	W15	5044134	W19	5044335	Q4
5042961	F2	5043511	W15	5044159	B1	5044336	Q4
5042962	F2	5043565	W5	5044221	DB1	5044337	Q4
5042970	Q9		W6	5044222	DB1	5044338	Q4
5042971	Q9	5043578	H3	5044227	H1	5044349	W15
5042972	Q9	5043626	W15	5044229	H1	5044372	Q2
5042973	Q9	5043641	H1	5044230	H1		ZW2
5043064	MA2	5043668	B1	5044231	H1	5044570	F1
5043065	M2	5043684	Q4	5044237	Q6	5044629	F8
	MA2		Q5	5044241	CC1	5044713	W1
5043086	CB3	5043687	Q2	5044242	CC1	5044714	W20
5043129	Q15		ZW2	5044243	CC1	5044739	AA3
5043198	CC1	5043688	Q2	5044244	CC1		ZW1
5043200	CC1		ZW2	5044245	CC1	5044746	Q4
5043206	CC1	5043689	Q1	5044246	CC1	5044747	Q4
5043207	CC1		ZW2	5044247	CC1	5044748	Q4
5043211	CC1	5043690	Q1	5044248	CC1	5044749	Q4
5043212	CC1		ZW2	5044249	CC1	5044750	Q4
5043214	CC1	5043708	W17	5044250	CC1	5044751	Q4

NUMERICAL INDEX

<i>Part No.</i>	<i>Page No.</i>	<i>Part No.</i>	<i>Page No.</i>	<i>Part No.</i>	<i>Page No.</i>	<i>Part No.</i>	<i>Page No.</i>
5044752	Q4	5059037	F3	5102795	C2	5107310	A11
5044765	W2	5059248	F3		ZU4	5107311	A11
5044942	P1	5059249	F3	5102798	C2	5107312	A11
5044957	F2	5059250	F3	5102802	CA1	5107314	A11
	F3	5059371	W15	5102806	C2	5107315	A11
5044974	F2	5059516	Q2	5102807	C2	5107316	A11
5057511	P1	5059517	Q2		ZU7	5107319	A11
5057562	RA2	5059518	Q3	5102809	C2		AA5
5057780	W16		Q4	5102810	C2	5107320	A11
5057920	F2	5059519	Q4		ZU4		AA5
	F3	5059534	Q3	5102813	C2	5107321	A11
5057921	F2		Q4	5102814	ZU7		AA5
5057957	A10	5059535	Q4	5102815	CA1	5107327	A11
	AA4	5100590	YV19	5102816	CA1	5107328	A11
5057966	X5		YW11	5102838	C3	5107329	A11
5057967	X5		YX33	5102839	C3	5107731	YV19
5058081	RA1	5100591	YV19		ZU7		YW11
5058172	F2		YW11	5102864	C2		YX33
5058173	F2		YX33	5102865	C2	5107732	YV19
	F3	5100772	YV19		CA1		YW11
5058174	F2	5100773	YV19	5102866	C2		YX33
5058194	CC1	5101040	YV19	5105597 S	A5	5107739	YV15
5058195	CC2		YW11	5105598 S	A5		YX20
5058196	CC2	5101041	YV19	5105645	A2	5107740	YV15
5058198	W4		YW11	5105646	A2	5107742	YV15
	W5	5101051	YW10	5105647	A2	5107743	YX20
	W6	5101053	YV15	5105648	A2	5107744	YX20
5058200	AA4		YW10	5105659 S	A5	5107835	C2
5058201	AA4	5101062	YW10	5105660 S	A5		CA1
5058202	A10	5101132	YW9	5105661 S	A5	5107836	C2
	AA4	5101133	YX19	5105662 S	A5		ZU7
5058299	ZW2	5101176	YV14	5105726	A4	5107837	CA1
5058302	Q2	5101179	YX18	5105727	A4		ZU7
	ZW2	5101203	YV14	5105728	A4	5107841 S	A2
5058303	Q4	5101206	YV14	5105729	A4	5107842 S	A2
	ZW2		YW9	5105867	A4	5107843 S	A2
5058304	Q4	5101227	YV14	5105868	A4	5107844 S	A2
5058314	A9	5101229	YX18	5105869	A4	5107845 S	A2
5058419	W6	5101337	YV15	5105900 S	ZU13	5107846 S	A2
5058600	W7		YX20	5106366	YV14	5107847 S	A2
5058614	F2	5101421	YV15		YW9	5107848 S	A2
5058615	F2	5101424	YV19		YX18	5107849 S	A2
	F3		YW11	5106377	YV14	5107861 S	A2
5058630	F1		YX33		YW9	5107862 S	A2
	F2	5101425	YV19	5106379	YX18	5107863 S	A2
	ZW1		YW11	5106382	YW9	5107864 S	A2
5058631	F2		YX33	5106394	YV14	5107868 S	A2
5058632	F2	5102491	CB2		YW9	5107869 S	A2
5058810	H4	5102518	CB2		YX18	5107870 S	A2
5058811	CC1	5102522	CB1	5106410	YV15	5107871 S	A2
5058812	CC1	5102523	CB1		YW9	5107875 S	A2
5058813	CC2	5102532	CB1		YX19	5107876 S	A2
5058814	CC1	5102534	CB2	5106422	YX21	5107877 S	A2
5058887	CC2	5102580	CB2	5106702	YV14	5107878 S	A2
5058888	CC2	5102592	CB2		YW9	5107910	YV19
5058921	W11	5102701	CB2	5106706	YX18	5107911	YV19
5058922	W11			5107304	A5	5108355	YV16

NUMERICAL INDEX

<i>Part No.</i>	<i>Page No.</i>	<i>Part No.</i>	<i>Page No.</i>	<i>Part No.</i>	<i>Page No.</i>	<i>Part No.</i>	<i>Page No.</i>
5108355	YW10	5109404 S	A3	5109535 S	A5	5110418	AA1
5108356	YV16	5109405	A3	5109536 S	A5	5110419	A4
	YW10	5109406 S	A3	5109537 S	A5		AA1
5108357	YV16	5109407 S	A3	5109546 S	A5	5110420	A4
	YW10	5109408	A3	5109547 S	A5		AA1
5108379	YV17	5109409 S	A3	5109550 S	A4	5110421	A3
	YW10	5109412 S	A3	5109551 S	A4		A4
5108380	YV17	5109413 S	A3	5109552 S	A4		AA1
	YW10	5109414 S	A3	5109553 S	A4	5110478	YV15
5108381	YV17	5109415 S	A3	5109682	C2		YX20
5108388 S	A2	5109416 S	A3	5109683	C2	5110485	YV15
5108389 S	A2	5109417 S	A3		ZU7		YX20
5108390 S	A2	5109418 S	A3	5109684	C2	5110486	YX20
5108391 S	A2	5109419 S	A3	5109685	ZU7	5110895 S	ZU5
5108392 S	A2	5109420	A3	5109692	YV16	5110897 S	ZU5
5108393 S	A2	5109421 S	A3		YW10	5110899 S	ZU5
5108394 S	A2	5109424 S	A3		YX23	5110900 S	ZU5
5108395 S	A2		AA4	5109693	YV16	5110905 S	ZU5
5108396 S	A2		AA1		YW10	5110908 S	ZU5
5108464	YV15	5109425 S	A3		YX23	5110909 S	ZU5
	YW9	5109426 S	A3	5109694	YV16	5110911 S	ZU5
	YX19	5109427	A3		YW10	5110912 S	ZU5
5108465	YV15	5109428 S	A3		YX23	5110913 S	ZU5
	YW9		A3	5109823	YW9	5110925 S	ZU5
5108466	YV15		AA4	5109825	YX19	5110931 S	ZU5
	YW9		AA1	5109897	YV19	5110935 S	ZU5
	YX19	5109431 S	A3		YW11	5110938 S	ZU5
5108467	YX19		A4	5109898	YV19	5110946 S	ZU5
5108470	YX19	5109432 S	A3		YW11	5110949 S	ZU5
5108471	YX19	5109433 S	A3	5109899	YV19	5110964 S	ZU5
5108507	YV15	5109434	A3		YW11	5111146	YX33
5108970	YV19	5109435 S	A3		YX33	5111147	YX33
	YW11		A4	5109900	YV19	5111152 S	A5
5108971	YV19	5109438 S	A3		YW11	5111153 S	A5
	YW11		A4		YX33	5111154	A5
5109352	YV15		AA1	5109946	YV17	5111155	YX33
	YW10	5109439 S	A3	5109947	YV17	5111156	YX33
5109353	YV15	5109440 S	A3	5109948	YV17	5111351	YX33
	YW10	5109441	A3		YW10	5111352	YX33
5109354	YV15	5109442 S	A3	5109950	YV17	5111361	YX20
	YW10		AA4	5109951	YV17	5111362	YX20
5109371 S	A2		AA1	5109952	YV17	5111363	YX20
5109373	A2	5109445	A3		YW10	5111446	YX18
5109374	A2	5109446	A3	5110259 S	CA1	5111450	YX18
5109377	A4	5109447	A3	5110357	YX33	5111456	YX18
5109378	A4	5109448	A3	5110358	YX33	5111468	YX18
5109379	A4	5109472	YV14	5110407	A4	5111472	YX18
5109388	A5		YW9	5110408	A3	5111491	YX19
5109395 S	A5		YX18		A4	5111496	YX19
5109396 S	A5	5109479	YV14	5110409	A4	5111708	CA2
5109397 S	A5		YW9	5110410	A4	5111827	YX20
5109398 S	A5		YX18	5110411	A4	5111832	YX20
5109400 S	A2	5109485	YV15	5110413	A4	5111833	YX20
5109401 S	A2		YX19	5110417	A3	5111941	YX18
5109402 S	A2	5109492	YV15		A4	5111969	ZU7
5109403 S	A2		YX20		AA1	5112000	YX20
		5109534 S	A5	5110418	A4	5112014	A5

NUMERICAL INDEX

<i>Part No.</i>	<i>Page No.</i>	<i>Part No.</i>	<i>Page No.</i>	<i>Part No.</i>	<i>Page No.</i>	<i>Part No.</i>	<i>Page No.</i>
5112015	A5	5112141	YX26	5112461	S A3	5112940	YX18
5112016	A5	5112142	YX26	5112465	A4	5112972	A5
5112017	A5	5112143	YX26	5112466	A4	5112973	A5
5112032	YX23	5112144	YX26	5112467	A4	5112976	A3
5112033	YX23	5112145	YX26	5112468	A4		A4
5112034	YX23	5112146	YX26	5112599	YX28		AA1
5112040	YX23	5112149	YX26		YX31	5112977	A3
5112041	YX23	5112150	YX26	5112600	YX28		A4
5112042	YX23	5112151	YX26		YX31		AA1
5112049	YX23	5112152	YX26	5112601	YX28	5113005	YX18
5112050	YX23	5112153	YX26		YX31	5113006	YX18
5112051	YX23	5112154	YX26	5112602	YX28	5113460	YX21
5112057	YX23	5112157	YX26		YX31	5113466	YX21
5112058	YX23	5112158	YX26	5112741	YX23	5113467	YX21
5112059	YX23	5112159	YX26	5112742	YX23	5113468	YX21
5112065	YX24	5112160	YX26	5112743	YX23	5113487	YX20
5112066	YX24	5112166	YX27	5112750	YX21	5113493	YX20
5112067	YX24	5112167	YX27	5112751	YX21	5113494	YX20
5112073	YX24	5112168	YX27	5112752	YX21	5113495	YX20
5112074	YX24	5112169	YX27	5112753	YX21	5113831	CC2
5112075	YX24	5112170	YX27	5112754	YX21	5114080	ZU6
5112081	YX21	5112171	YX27	5112757	YX22	5114081	ZU6
5112082	YX21	5112172	YX27	5112758	YX22	5114499	YX19
5112083	YX21	5112173	YX27	5112759	YX22	5114500	YX19
5112089	YX21	5112174	YX27	5112760	YX22	5114501	YX19
5112090	YX21	5112175	YX27	5112761	YX22	5114502	YX19
5112091	YX21	5112183	YX33	5112764	YX22	5114504	YX18
5112097	YX21	5112184	YX33	5112765	YX22	5114505	YX18
5112098	YX21	5112189	CB1	5112766	YX22	5114506	YX18
5112099	YX21	5112195	CB2	5112767	YX22	5114507	YX18
5112105	YX22	5112201	CB2	5112768	YX22	5114509	YX20
5112106	YX22	5112207	CB2	5112771	YX23	5114510	YX20
5112107	YX22	5112223	A12	5112772	YX23	5114511	YX20
5112108	YX22		AA5	5112773	YX23	5114512	YX20
5112109	YX22	5112224	A12	5112778	YX23	5114651	YX20
5112113	YX25		AA5	5112779	YX23	5114652	YX20
5112114	YX25	5112272	YX28	5112780	YX23	5114658	YX18
5112115	YX25		YX30	5112785	YX24	5114659	YX18
5112116	YX25		YX32	5112786	YX24	5114660	YX18
5112117	YX25	5112273	YX28	5112787	YX24	5114661	YX18
5112118	YX25	5112274	YX28	5112792	YX24	5114666	AA5
5112122	YX25	5112275	YX28	5112793	YX24	5114667	AA5
5112123	YX25	5112276	YX28	5112794	YX24	5114668	AA5
5112124	YX25	5112277	YX28	5112800	AA2	5114671	AA5
5112125	YX25	5112280	YX21	5112801	AA2	5114672	AA5
5112126	YX25	5112281	YX21	5112802	AA2	5114673	AA5
5112127	YX25	5112282	ZU6	5112804	AA2	5114694	YX24
5112130	YX25	5112283	ZU6	5112808	S AA2	5114695	YX24
5112131	YX25	5112286	YX33	5112809	AA2	5114696	YX24
5112132	YX25	5112287	YX33	5112810	AA2	5114697	YX24
5112133	YX25	5112288	T2	5112814	S AA2	5114702	YX24
5112134	YX25		TA1	5112815	AA2	5114703	YX24
5112135	YX25	5112455	S A3	5112816	AA2	5114704	YX24
5112137	YX25	5112456	S A3	5112818	AA2	5114705	YX24
5112138	YX25	5112457	S A3	5112913	YX19	5114710	YX24
5112139	YX25	5112458	S A3	5112919	YX19	5114711	YX24
5112140	YX25	5112459	S A3	5112933	YX18	5114712	YX24

NUMERICAL INDEX

Part No.	Page No.	Part No.	Page No.	Part No.	Page No.	Part No.	Page No.
5114713	YX24	5115006	YX18	5115211	YX33	5116168	YX26
5114718	YX24	5115022	YX23	5115294	YX33	5116169	YX26
5114719	YX24	5115023	YX23	5115295	YX33	5116170	YX26
5114720	YX24	5115024	YX23	5115302	YX33	5116171	YX26
5114721	YX24	5115025	YX23	5115303	YX33	5116175	YX26
5114726	YX25	5115031	YX23	5115347	S X6	5116176	YX26
5114727	YX25	5115032	YX23	5115549	YX33	5116177	YX26
5114728	YX25	5115033	YX23	5115550	YX33	5116178	YX26
5114729	YX25	5115034	YX23	5115551	YX33	5116189	YX22
5114734	YX25	5115040	A2	5115552	YX33	5116190	YX22
5114735	YX25		A3	5115559	YX33	5116191	YX22
5114736	YX25	5115041	A2	5115560	YX33	5116197	YX22
5114737	YX25		A3	5115569	YX33	5116198	YX22
5114788	YX24	5115042	A2	5115570	YX33	5116199	YX22
5114789	YX24		A3	5115598	ZU5	5116204	YX22
5114790	YX24	5115043	A2	5115599	ZU5	5116205	YX22
5114791	YX24		A3	5115761	YX27	5116206	YX22
5114796	YX24	5115044	A3	5115762	YX27	5116211	YX22
5114797	YX24	5115045	A3	5115763	YX27	5116212	YX22
5114798	YX24	5115049	YX19	5115767	YX27	5116214	YX22
5114804	YX24	5115050	YX19	5115768	YX27	5116218	YX22
5114805	YX24	5115051	YX19	5115769	YX27	5116219	YX22
5114806	YX24	5115052	YX19	5115770	YX27	5116220	YX22
5114807	YX24	5115054	YX19	5115774	YX25	5116225	YX22
5114812	YX24	5115055	A3	5115775	YX25	5116226	YX22
5114813	YX24		YX19	5115776	YX25	5116227	YX22
5114814	YX24	5115056	YX19	5115777	YX25	5116232	ZU6
5114815	YX24	5115057	YX19	5115781	YX25	5116233	ZU6
5114875	S A3	5115059	YX25	5115782	YX25	5116243	YX19
	A4	5115060	YX25	5115783	YX25	5116244	YX19
	AA1	5115064	YX23	5115784	YX25	5116245	YX19
5114876	S AA1	5115065	YX23	5115788	YX25	5116246	YX19
5114877	S A3	5115066	YX23	5115789	YX25	5117242	YX33
	A4	5115067	YX23	5115790	YX25	5117243	YX33
	AA1	5115072	YX33	5115791	YX25	5117873	YX33
5114878	S A3	5115073	YX33	5115795	YX25	5117874	YX33
	A4	5115108	YX33	5115796	YX25	5117929	YX26
	AA1	5115109	YX33	5115797	YX25	5117930	YX26
5114879	S A3	5115118	YX33	5115798	YX25	5117931	YX26
	A4	5115119	YX33	5115802	YX27	5117935	YX26
	AA1	5115136	YX33	5115803	YX27	5117936	YX26
5114880	A3	5115137	YX33	5115804	YX27	5117937	YX26
	A4	5115142	YX33	5115805	YX27	5117941	YX26
	AA1	5115143	YX33	5115806	YX27	5117942	YX26
5114976	AA5	5115150	YX33	5115951	YX23	5117943	YX26
5114977	AA5	5115151	YX33	5115952	YX23	5117944	YX26
5114978	AA5	5115154	YX33	5115953	YX23	5117948	YX26
5114980	A5	5115155	YX33	5115954	YX23	5117949	YX26
5114981	A5	5115156	YX33	5116040	A3	5117950	YX26
5114982	A5	5115161	YX33		A4	5117951	YX26
5114983	A5	5115166	YX33	5116041	AA1	5117955	YX26
5114986	A5	5115167	YX33		A3	5117956	YX26
5114987	A5	5115182	YX33		A4	5117957	YX26
5114988	A5	5115183	YX33		AA1	5117958	YX26
5115002	YX18	5115183	YX33	5116161	YX26	5117958	YX26
5115003	YX18	5115206	YX33	5116162	YX26	5118436	YX27
5115005	YX18	5115207	YX33	5116163	YX26	5118437	YX27
		5115210	YX33	5116164	YX26	5118440	YX27

NUMERICAL INDEX

<i>Part No.</i>	<i>Page No.</i>	<i>Part No.</i>	<i>Page No.</i>	<i>Part No.</i>	<i>Page No.</i>	<i>Part No.</i>	<i>Page No.</i>
52200482	Q8	5220239 S	RA2	5220512	M2	5220684	Q17
52200486	MA3	5220240 S	R2	5220513	M2		U1
	RA3		RA2	5220523 S	N4		X3
	RA4	5220241	R2	5220524	N2		AA2
5200521	CB3		RA2	5220527	ZU8		AA3
5200522	CB1	5220273 S	ZU9	5220578	P1		AA11
5200535	YX16	5220274	ZU9	5220579	P1	5220686	A6
	YX29	5220276 S	ZU12	5220580	A15		A21
	YX32	5220283	A1	5220587	ZU8		H7
5220054 S	ZU6	5220288	G1	5220588 S	A8		Q17
5220069	W3	5220289	G1	5220591 S	A8		AA2
	W24	5220305 S	N4	5220593 S	M2		GA5
5220070	G2	5220324 S	N4	5220600	G1	5220687	AA9
	G4	5220327 S	A12	5220609	A10	5220688	MA3
5220094	U2		AA5	5220615	A1	5220690	A7
5220097 S	A1	5220337	A1		ZW1		A10
5220099	A8		ZW1	5220616	A1		M1
5220100	A15	5220338	A1	5220617 S	A15		W19
5220104	A1	5220339	A1	5220620 S	G2		W21
	ZW1	5220340 S	A7	5220630	A10		X5
5220105	G1	5220342 S	A13	5220631	A1		AA3
5220106	G1		AA6		ZW1		AA4
5220107 S	N3	5220355	G1	5220632	P1		YX17
5220108 S	N3	5220356	G1	5220633	P1	5220691	GA3
5220111	N2	5220370	ZU4	5220637	G1	5220692	A7
5220112 S	N2	5220371	A15	5220638	G1		F6
5220120	U2	5220372	N6	5220639 S	N3		H6
5220124 S	A12	5220373	N6	5220640 S	N3		AA3
	AA5	5220374	N6	5220643 S	ZU9	5220693	Q13
5220125 S	A12	5220379 S	D1	5220644 S	ZU9		W22
	AA5		F6	5220646 S	A16	5220694	Q15
5220127 S	ZU13		Q14		A19		RA3
5220136 S	A15	5220381 S	ZU9		AA8		RA4
5220137	A10	5220397 S	W12	5220647	A15	5220695	A8
5220146 S	ZU4		YV5	5220673 S	ZU9		A22
5220148	A15		YX5	5220675	TA1		E1
	A18	5220404	A1	5220677	M2		J2
5220149 S	ZU11	5220424 S	MA1	5220678	M2		AA3
5220156	Q5		MA2	5220680 S	TA1		AA10
5220158	Q6	5220425 S	MA2	5220681 S	TA1		DA1
5220167	Q9	5220433 S	G2	5220683	E1		RA2
	Q10	5220434 S	G3		E2	5220697	A23
5220172	W16	5220439 S	N3		Q11		G1
	W17	5220450	A1		Q17		AA9
	ZU7	5220452	A12		DA1	5220700	A11
5220189	W20	5220455 S	A15		DB1		A17
5220190	Q3	5220473	ZV1		YX4		A18
	Q5	5220474	A10	5220684	A2		H6
5220199	B1	5220475	A15		A6		Q1
5220201 S	B1	5220478 S	MA1		A7		Q18
5220202	B1	5220479 S	MA2		A23		W2
5220204	B1	5220485	A1		A24		W11
5220221	A14		ZW1		G6		W14
5220230	YX17	5220487	TA1		G7		X1
5220235	R1	5220490 S	G2		Q8		X2
	RA1	5220506	A15		Q11		X3
5220239 S	R2						X6

NUMERICAL INDEX

Part No.	Page No.	Part No.	Page No.	Part No.	Page No.	Part No.	Page No.
5220700	X7	5220703	A24	5220800	A1	5220957	N4
	UA2		F4		ZW1	5220960	N1
	YV5		H5	5220801	A1	5220965	A1
	YV8		M3	5220806	A10	5220966	S AA9
	YX5		M4		A11	5220967	S AA9
	YX9		Q11	5220807	A18	5220968	AA5
	YX10		S3	5220809	S S3	5220970	S AA8
	ZU1		V1		ZW2	5220974	GA1
	ZU2		V2	5220810	TA1	5220975	GA1
	ZU3		W19	5220811	S MA3	5220976	RA4
	ZU4		AA10		ZW2	5220977	W12
	ZU13		MA1	5220813	A1		YV5
5220701	A7		MA2		ZW1		YX5
	A12		MA3	5220816	S A8	5220996	AA1
	A13		RA2	5220817	A1	5220998	GA1
	A14		RA3		ZW1	5220999	GA1
	A17		RA4	5220818	A1	5221011	A5
	A20		VA2	5220819	A18	5221220	MA3
	A21		ZU7	5220822	A15	5221221	S3
	A23	5220704	S2	5220824	AA5	5221228	A13
	A24		X6	5220825	G1	5221233	AA1
	B1	5220708	RA4	5220826	G1	5221234	AA1
	F4	5220713	A1	5220833	A5	5221237	AA2
	F6		A8	5220835	A5	5221245	GA2
	G2		A21	5220846	A4	5221246	GA2
	G7		G1		AA1	5221254	A21
	H5		N1	5220867	P1		A22
	H6		AA1	5220868	S GA3		F4
	H7		AA4	5220875	S GA2		H3
	M4		GA1	5220878	GA1		H5
	N1		ZU8	5220879	GA1		Q17
	N4	5220715	A6	5220886	G1		AA8
	P1		AA2		GA1		VA2
	Q8	5220716	F3	5220887	N2	5221255	N2
	Q14	5220717	A22	5220897	N1	5221256	N3
	Q17		U2	5220906	A1	5221271	A6
	U1		AA10		ZW1		AA2
	V1		UA2	5220910	A1		ZW1
	V2	5220718	A16		ZW1	5221289	GA1
	AA3	5220730	S G2	5220914	A18	5221290	GA1
	AA5		G3	5220922	A18	5240132	S ZU11
	AA6	5220736	S A15	5220936	A14	5240133	S ZU11
	AA9	5220737	G1		AA7	5240134	S ZU10
	AA10	5220738	G1	5220937	W18	5240140	YV1
	AA11	5220741	A1	5220938	W18	5240141	YV1
	GA1		ZW1	5220939	W18	5240144	S ZU11
	GA5	5220742	A1	5220940	W18	5240145	YV2
	VA1	5220745	S RA4	5220943	W18	5240146	YV2
	VA2	5220759	A5	5220944	A8	5240147	S YV2
	YV8	5220764	S S3	5220945	G1	5240148	YV2
	ZU6		ZW2		J4		YW1
	ZU13	5220770	S MA1		GA1	5240149	YV2
5220702	A16	5220785	A1	5220948	AA1		YW1
	A19		AA1	5220949	AA2	5240150	S YV3
	AA8	5220787	S A15	5220951	AA4	5240151	S YV3
5220703	A19	5220790	W12	5220955	AA5	5240152	YV3
	A22	5220795	G4	5220956	S GA1	5240161	S YV1

NUMERICAL INDEX

<i>Part No.</i>	<i>Page No.</i>	<i>Part No.</i>	<i>Page No.</i>	<i>Part No.</i>	<i>Page No.</i>	<i>Part No.</i>	<i>Page No.</i>
5240234	YV16	5240537	YX15	5240782	YX13	6601101	ZX1
5240244	ZU6	5240538	YX15	5240785	YX11	6601102	ZX2
	ZU11	5240539	YX15	5240786	YX11	6601111	ZX1
5240245	S ZU11	5240540	YX13	5240787	YX11	6601112	ZX1
5240246	S YV2	5240541	YX13	5240788	YX11	6601113	ZX1
5240247	S YV2	5240550	YX16	5240803	YX21	6601114	ZX1
5240248	YV1	5240555	YX11	5240816	YX21	6601130	ZX2
	YW1	5240556	YX11	6600259	ZX2	6601133	ZX2
5240255	S YV12	5240590	YX1	6600681	ZX1	6601161	ZX1
5240258	YV4	5240591	YX1	6600682	ZX1	6601162	ZX1
	YX5	5240592	YX1	6600683	ZX1	6601163	ZX1
5240259	YV4	5240595	YX11	6600716	ZX1	6601164	ZX1
	YX5	5240596	YX11	6600746	ZX2	6601165	ZX1
5240269	S YV2	5240597	YX11	6600766	ZX2	6601205	ZX1
	YW1	5240598	YX11	6600771	ZX2	6601211	ZX2
5240270	S YV2	5240695	YX34	6600775	ZX2	6601225	ZX2
	YW1	5240696	YX34	6600776	ZX2	6601231	ZX2
5240271	YV2	5240697	YX34	6600781	ZX2	6601245	ZX1
	YW1	5240698	YX34	6600791	ZX2	6601266	ZX1
5240274	YX5	5240699	YX34	6600806	ZX1	6601267	ZX1
5240275	YX5	5240700	YX34	6600820	ZX1	6601268	ZX1
5240286	S ZU6	5240701	YX34	6600821	ZX1	6601269	ZX1
5240287	ZU6	5240702	YX34	6600822	ZX1	6601286	ZX1
5240288	S ZU11	5240703	YX34	6600829	ZX2	6601304	ZX2
5240317	YV13	5240710	YX5	6600830	ZX2	6601373	ZX2
5240377	YX6	5240730	YX34	6600865	ZX2	7080027	Q4
5240380	W12	5240731	YX34	6600883	ZX2	7080028	Q4
5240381	YV5	5240732	YX34	6600929	ZX1	7080043	W14
	YX5	5240733	YX34	6600931	ZX2	7080044	W14
5240411	S YV3	5240734	YX34	6600935	ZX2	7080045	W14
5240412	YV3	5240735	YX34	6600937	ZX1	7080062	W20
5240413	W12	5240736	YX34	6600938	ZX1	7080101	CB1
5240414	YV5	5240737	YX34	6600951	ZX2	7080133	CB1
	YW3	5240738	YX34	6600960	ZU7	7080162	S ZU11
	YX5	5240739	YX34		ZU8	7080193	Q4
5240415	S W12	5240740	YX34		ZX1	7080270	CC1
	YV5	5240741	YX34	6600964	ZX1	7080323	CC1
	YW3	5240742	YX34	6600965	ZX2	7080428	P1
	YX5	5240743	YX34	6600975	ZX2	7100544	CC2
5240463	YW12	5240744	YX34	6600985	ZX2	7100882	A1
5240465	YX29	5240745	YX34	6600988	ZX2		AA1
5240471	S YV1	5240746	YX34	6600993	ZX2	7105063	S ZU11
	YW1	5240747	YX34	6600997	ZX1	7105102	ZU11
5240476	YV1	5240748	YX34	6600998	ZX1	7105349	W11
5240477	YW1	5240749	YX34	6600999	ZX1	9000155	YW8
5240487	YW7	5240750	YX34	6601000	ZX1	9000218	A20
5240489	YX1	5240751	YX34	6601005	ZX2	9000219	A20
5240492	YV6	5240752	YX34	6601030	ZX1	9000280	C4
	YX6	5240753	YX34	6601031	ZX1		CA2
5240528	YX16	5240754	YX34	6601032	ZX1	9003006	X2
5240529	YX5	5240755	YX34	6601033	ZX1		X3
5240531	YX15	5240756	YX34	6601041	ZX2		ZU1
5240532	YX15	5240759	YX34	6601053	ZX1		ZU2
5240533	YX15	5240778	YX34	6601062	ZX1	9003027	A8
5240534	YX15	5240779	YX21	6601098	ZX1	9003029	A8
5240535	YX15	5240780	YX21	6601099	ZX1	9003041	R2
5240536	YX15	5240781	YX13	6601100	ZX1		RA2

NUMERICAL INDEX

Part No.	Page No.	Part No.	Page No.	Part No.	Page No.	Part No.	Page No.
9003046	F1	9029005	CC1	9050022	CB1	9067011	D2
9003047	P1	9029020	AA9	9050065	YW8		X2
9003062	N3	9029036	M2	9050067	X3		X3
9003064	M2	9029038	R2	9050095	B1		UA2
	M4		RA2	9050101	YV4		YX5
9003072	M3	9029062	G3		YW3		ZU1
	MA2	9029132	H7	9050115	A17		ZU3
9003091	S2	9029141	S A16		A20	9067012	YV10
9003093	A1		A20	9050147	X2	9067013	X7
	AA1		VA1	9050148	YW8	9067014	A7
9003179	YV5	9029145	A11	9050158	YX14		D2
	YX5		AA5	9050176	YX16		Q15
9003197	S N3		AA7	9050178	YX9		R2
9003198	Q1	9029152	R4		YX10		W17
9003202	A11		R5	9056027	W19		X2
	AA5		RA4	9056027	W19		X4
9003209	Q2	9029168	H3	9056035	YX10		AA2
9003218	M1		AA8	9056044	YX9		YX6
9003222	MA2	9029179	RA2		YX10	9067015	A8
9003223	M1	9029192	A8	9056045	YX10		A10
	MA1		AA4	9059023	W23		A13
9003237	AA8	9029207	A20	9059027	W23		A21
9003246	MA2		AA8	9059038	J1		F4
9003261	S3		VA2	9067000	W12		H4
9003286	M1	9029209	GA2		YW9		T1
9003290	H1	9029221	HI	9067004	YV11		W21
9003294	H1	9032032	S M2		YW8		X4
9007004	S S1	9032032	N5	9067005	X1		AA3
9007024	S S1	9034016	YW8	9067006	X7		YV8
9009080	S2	9034022	N5	9067007	T1		YV9
9009081	S2	9034023	YW6	9067008	C4		YV14
9009085	S2		YW8		E1		YW5
9020004	YX9	9034025	A4		E2		YX17
9020020	Q16	9034026	S A4		F8		YX17
	YX10	9034035	N4		Q1		ZU3
9020024	YX9	9034037	N4		Q11		ZU8
	YX10	9034042	E2		W9	9067016	A10
9020026	YX10		H5		X6		H4
9020030	Q11		DA2		CA2		W21
9020031	UA1		DB1		DA1		YV13
9020036	W8	9034050	YV11		YV8	9067017	E1
	W21	9034067	AA1		YV10		R2
9020038	W4	9034068	A4		YW3		X5
9020042	RA3		AA1		YW5		DA1
9020048	H7	9034069	AA1		YX9		DB1
9020051	Q11	9034124	W19	9067009	DB1		RA2
9020052	A20	9050001	C3		YW7		YV9
9020054	W4		CA2	9067010	A18		YV11
9020059	H1	9050002	CB1		E2		YV13
9020069	W4	9050003	CB3		H6		YW5
9020124	H7	9050005	C3		H7		YX10
9020125	H7		ZU4		X1		YX16
9020246	W15	9050008	CB3		YV6	9067018	Q11
9024007	Q16	9050012	C2		YV17		R2
	Q18		CA1		YW8		R3
9029000	CB1	9050018	CB2		YX10		X5
	CB3	9050020	CB3	9067011	A11		RA2

NUMERICAL INDEX

<i>Part No.</i>	<i>Page No.</i>	<i>Part No.</i>	<i>Page No.</i>	<i>Part No.</i>	<i>Page No.</i>	<i>Part No.</i>	<i>Page No.</i>
9067018	UA2	9067027	YW2	9067056	DA1	9067254	RA2
	YW4		YX4		GA4	9067256	M1
	YX3	9067028	A13		MA1		MA1
	YX27		A23		MA2	9067289	A9
9067019	YW8		H7	9067057	G6	9067300	N4
9067022	A10		AA10		M1	9067302	S R1
	A12	9067029	A21	9067058	A21		RA1
	A17		YV8		X6	9067314	N5
	F6	9067032	H6	9067059	M1	9067330	AA9
	F8	9067034	D1	9067062	MA2	9067352	G2
	H6		E1	9067075	F7	9067373	R4
	H7		H6		Q14		RA3
	Q14		T1	9067079	N5	9067404	A17
	ZU4		DA1	9067088	YV11		ZU4
	ZU9		DB1	9067089	RA2	9067414	S3
9067023	A13	9067035	S3	9067091	X3	9067423	E2
	A14	9067036	F4		CC2		G6
	A16		F5		YV16		DA1
	A17		H5	9067094	W17		DB1
	A19		Q15		YV10	9067424	G6
	A20		R3		YV11	9067426	MA1
	D1		S3		YV18	9067435	A9
	D2		RA2		YW11	9067453	MA1
	E1	9067037	A11		YX12	9067457	MA2
	E2		A16		YX13	9067463	H4
	F4		A19		YX14	9067468	A8
	G2		A20		YX15		AA4
	H5		A24		YX29	9067480	G2
	H6		F4		YX32		G3
	Q16		VA1		ZU2	9067481	H4
	Q18		ZU7	9067095	YV6	9067483	S3
	T1	9067038	A11		YV11	9067486	Q8
	U1		A19		YW4		ZU5
	V2	9067039	A11		YX6	9067500	M4
	X4		AA5		YX12		Q2
	AA6	9067041	R3		YX15		S2
	AA9		R4		YX17	9067509	MA1
	AA10		RA2		YX28	9067512	M1
	DA1		RA3		YX31	9067535	RA3
	DA2		RA4	9067096	E2	9068008	E2
	DB1	9067043	G7	9067098	YX12		DA2
	GA1		H7	9067101	YX7	9068009	YX8
	VA1		V1	9067103	C1	9068010	E2
	VA2		V2		CA1		W15
9067024	ZU5		GA5	9067109	YW5		AA2
9067025	F6		VA2	9067112	E2		AA4
	Q16	9067045	V1		YW5		AA6
9067026	R3	9067046	A2		YX13		AA10
9067027	A20		F5		YX17		AA11
	A21		X6	9067113	YX7	9068013	B1
	A23	9067047	S2	9067123	YX15		F4
	A24	9067049	S2	9067125	A12		F6
	T2	9067051	N2	9067128	YX12		H5
	AA7	9067056	D1	9067227	E2		Q7
	AA11		E1	9067235	N3		AA3
	TA1		G6	9067244	MA3		AA4
	UA1		M2	9067254	R3		AA5
	YV4						

NUMERICAL INDEX

Part No.	Page No.	Part No.	Page No.	Part No.	Page No.	Part No.	Page No.
9068013	AA6	9077015	Q9	9078074	CB2	9096074	A11
	AA8		Q10	9078077	A17		UA2
	AA9	9077017	Q13		A20	9096079	N2
	AA10		W13	9079030	M2	9101015	YX10
	AA11	9077024	Q12	9079097	F7	9101031	YX9
9068014	AA9	9077030	Q8	9079099	W3	9101045	YX9
	AA10		ZU6	9079100 S	Q9	9101048	YX9
9068015	F4	9077032	A9		Q10	9101807	A12
9068016	F4	9077037	Q8	9079101	U1		AA5
	AA7		ZU6	9082044	N4	9101808	A1
	AA8	9077039	A11	9083060	RA3		AA1
	AA9		A15	9084019	G4	9101826	GA2
	AA10		A19	9086003	A22	9101832	A15
9068019	AA1		ZU7		A23		A18
9071000 S	G5	9077040	Q8		Q15	9101839 S	A1
9071002	GA3		Q11	9086004	F6	9101841	A1
9071027	M1	9077045	AA4		Q16		AA1
9071032	M3	9077046	A1		Q18	9101843	AA1
9071049	N4	9077047	J1	9086005	Q16	9102005 S	G4
9071050	N4		J2		X4		H5
9071051	N4	9077062	Q13	9086007	Q17		GA3
9071069	N3	9077063	A11	9086011	D1	9102069	J4
9071070	N3		AA5		E1	9102070 S	G1
9071071	N3	9077070	Q9		E2		J4
9071086	G2		Q10		G6		GA1
	GA2	9077071	CC1		DA1	9102074 S	H4
9071088	N2	9077105	AA4		DB1		H8
9071089	N2	9077608	W18		GA4	9102080 S	GA1
9071090	N2	9077616 S	AA4	9086015	F7	9102089	N3
9071098	J4		ZU8		Q14	9102093 S	G1
9071099	J4	9078008 S	A7	9086021 S	H2	9102114	H1
9071100	J4		M1	9087024	E2		H8
9071119	Q17		M3	9087046	Q18	9102129 S	M3
9071121	M4		R4	9087075	AA6	9102143 S	N4
9071126	W11		AA3		AA10	9102145	N4
	W14	9078012	RA3	9087076	A7	9102832	A18
	ZU11		A23		AA3	9107013 S	A12
9071132	N4		DB1	9087123	A21	9107014 S	J1
9071133	N3		GA3	9087157	MA3	9107016 S	A12
9071134	N2	9078013	N1	9088030	H5		AA5
9071147	N3	9078015	CB2	9088170	W13	9107024	H4
9071148	N3	9078020 S	A10	9088176	AA8		H8
9071149	N3	9078027 S	J4	9088193	AA9	9107026 S	J2
9071158	GA2	9078030 S	J4	9088194	AA10	9107041 S	J1
9071159	GA2	9078031 S	ZU1	9090030	M3	9107057 S	J4
9075008	D2	9078032	A10		M2		R1
9075011	X4		A15	9090031	M1		RA1
9075033	F5		A19	9090038	M1	9107058 S	R4
	G6	9078033	A11		MA1		RA3
9075139	RA3		G1	9090306	G7		H2
9076063	C3		G7		GA5	9107061	H8
	CA2		AA8	9096046	A6		H8
9076070	J3		GA4		AA2	9107066 S	A14
9077011	J4	9078035	J3	9096073	A18		AA7
9077014	A9	9078039 S	A15		E2	9107084	H3
	A23		A19		H6		H8
	AA11	9078072	MA2		H7	9107088 S	M3
					X1		MA3

NUMERICAL INDEX

Part No.	Page No.	Part No.	Page No.	Part No.	Page No.	Part No.	Page No.
9107092	S H3	9119540	W18	9122275	H8	9129523	X29
	H8	9119553	G6	9122276	H2	9129560	X2
9107128	H1	9119561	UA2		H8	9130023	YV13
	H8	9119574	ZU3	9122277	H2		YX28
9107148	H3	9119608	UA2		H8		YX30
	H8	9119612	W11	9123800	MA3		YX31
9107158	N4		W24	9123802	S3		YX32
9107304	GA4	9119613	Q16	9127004	YX12	9130042	YX28
9109007	S Q8	9119622	YX28	9127054	YX12	9130077	X4
	Q10		YX31	9127505	YV11	9130086	YX31
9116014	W21	9120026	Q17		YV16	9130093	X2
	ZU13	9120039	F5	9127514	YV11	9131039	YX10
9116017	ZU1	9120051	D1	9128006	YX30	9131156	YV16
	ZU3		E1	9128010	YX30		YV17
9116020	ZU1		E2	9128011	YX30		YX28
9116085	YW11		DA1	9128012	YX30		YX31
9116104	W21		DB1	9128013	YX30	9132014	X1
	YW12	9120073	F7	9128014	YX30	9132501	YV6
	YX8		Q14	9128048	YX30		YW4
	ZU13	9122009	W9		ZU6	9132512	X4
9116166	X4		W10	9128049	ZU6	9132909	X5
9116185	Q13	9122020	Q13	9128054	YX30	9132933	YV6
	U2		U2	9128507	YX29		YW4
9116229	D2	9122028	YV8		YX31	9132936	X1
9117043	A22		YX9	9128508	YW11		X5
	AA10		YX10	9128509	YV16		YX17
9117521	W24	9122056	M4		YX28	9143015	YX29
9117526	ZU1	9122102	S A10		YX30	9144003	E2
	ZU2	9122106	S M1	9128510	YV11	9144017	Q15
9118507	X3		M3		YV18	9144021	Q16
	X4	9122107	S A9		YW11		Q18
9118508	RA2	9122118	S M2		YX28	9144022	F6
9118516	X5	9122121	S M2		YX29		F8
9118527	A24	9122126	S A10		YX30		Q14
	U1	9122127	S A9	9128511	YX29	9144025	F6
	W24	9122174	S A9		YX31	9144026	H6
	AA11		A10	9128512	YX29	9144053	Q16
9118528	A24	9122182	S A17		YX31	9144471	Q17
9118529	W2		A20	9128517	YX28	9144473	Q17
	W24		ZU4	9128518	YV16	9146020	S A7
9118531	Q16	9122188	YV5		YX29	9146061	N3
	W24		YV7		YX30	9146156	F4
9119003	YV10		YX5		YX31		H5
	YW6		YX7	9128521	YV18	9146192	GA3
9119010	YX3	9122201	S A17		YX29	9151200	A8
	YX12		ZU4		YX31		AA4
	YX13	9122204	TA1	9128523	YV11	9151206	A22
9119012	YV1	9122207	S Q9	9128534	YX29	9151232	A15
	YW8	9122210	S A9		YX31		A19
9119035	YW11	9122211	A9		YX32	9151233	A24
9119042	YX32	9122215	X4	9128535	YX30		AA11
9119062	YX11	9122226	Q8	9128536	YX30	9151242	AA10
9119506	W17		Q10	9128552	YV18	9151405	A7
9119511	W24	9122248	S RA3		YX29	9152002	A21
9119527	RA2	9122249	Q7		YX31		AA4
9119530	S Q9	9122253	Q11	9129001	YX31		ZU8
	Q10	9122275	H3	9129013	YV11	9152007	A21

NUMERICAL INDEX

Part No.	Page No.	Part No.	Page No.	Part No.	Page No.	Part No.	Page No.
9152007	ZU8	9159004	J4	9166156	UA1	9176060	A18
9152008	Q13	9159224	Q12		UA2	9176065	Q8
9152305	F8	9159232	Q8	9166175	S U1	9176527	T1
9154021	J4		ZU6		UA1	9178023	A19
9155001	Q13	9159514	B1		UA2	9178026	A19
9155004	Q13	9159520	J4	9166176	U1	9178502	W25
9155016	Q13		Q8	9166203	UA1		TA1
9155023	Q13		ZU6	9166235	UA2	9178510	W25
9156007	A24	9159525	Q12	9166238	Q11	9178532	W25
9156050	A22	9159528	A15	9166245	AA8	9178582	W25
9156051	A8		A19	9166252	UA1	9178589	YX7
	AA4	9159537	UA2	9166254	Q8	9178662	Q8
9156053	A24	9159540	Q11	9166259	S A18		ZU6
9156054	A24	9160624	Q8	9166270	A22	9179012	W25
	AA11	9160672	ZU6	9166275	A18	9179013	W25
9156058	A22	9160696	Q8		AA8	9179015	F8
	U2		ZU6	9166278	A18		Q11
	AA10	9163272	F8	9166502	ZU2		Q13
9156061	U2	9163273	F8	9166510	ZU2	9179023	W25
	UA2	9163274	Q12	9166512	A15	9179028	T1
9156065	J4	9163276	Q12		A19	9179035	Q11
9156071	A15	9163277	Q12	9166513	A15	9179036	Q11
	A18	9163278	Q12	9166524	ZU6	9179044	W25
9156081	UA2	9163280	Q12	9166669	ZU1	9179047	Q11
9156095	UA2	9163281	Q12	9166682	ZU1	9179050	ZU1
9156501	A7	9163282	Q12		ZU2		ZU2
	AA3	9163305	Q12	9168001	A24	9179055	AA9
9156506	A8	9163320	Q12	9168003	A24	9179056	AA9
	AA4	9163329	Q12	9168026	A24	9179064	ZU2
9156515	A16	9163341	Q12	9168033	A24	9179108	W25
	A19	9163342	Q12		AA11	9179202	H5
9156528	U2	9163348	F8	9168035	A24		W25
	UA2	9163354	F8	9168036	A24	9179215	W25
9156529	U2	9163355	Q12		AA11	9179216	UA2
	UA2	9163356	Q12	9168045	UA2	9179255	Q16
9156533	UA2	9163382	Q12	9168609	Q13	9179256	Q16
9156551	A8	9163389	Q12	9168610	Q13	9179263	W25
9156553	AA3	9163427	F8	9169001	A11	9179275	W4
9157100	A7	9163428	Q12		A15		W6
	A22	9163429	Q12		A19		W7
	AA3	9163466	Q12		AA8	9181015	V1
9157102	A8	9166010	F8		ZU1		VA1
	A8		Q11	9169015	A16		VA2
	AA4		Q13		A19	9181017	V1
9157104	A16		U2	9169022	AA5		VA1
	A19		UA2	9169024	Q8		VA2
	A24	9166013	U2		ZU6	9181019	V1
	AA11	9166017	T1	9169025	AA8		V2
9157106	U2	9166031	Q11	9169039	ZU1	9181038	VA1
9157108	J4	9166032	Q11	9176000	A22		VA2
9157113	A8	9166035	Q11		A23	9181039	VA1
	A15	9166074	ZU1		A24		VA2
	A18		ZU2	9176006	A24	9182041	VA2
9157115	AA3	9166084	ZU2		AA11	9187001	A7
9157148	UA2	9166094	S A13	9176009	A11		AA3
9157183	UA2	9166100	S A13		UA2	9187004	H3
9159003	B1	9166156	U1	9176016	UA2		

NUMERICAL INDEX

<i>Part No.</i>	<i>Page No.</i>	<i>Part No.</i>	<i>Page No.</i>	<i>Part No.</i>	<i>Page No.</i>	<i>Part No.</i>	<i>Page No.</i>
9187004	J2	9205018	G2	9217016	M1	9510031	YX13
9187005	J1		G3		M3		YX31
	R1	9205019	G2	9217017	P1	9510034	Q1
	RA1		G3	9217318	Q8	9510036	YV10
9187006 S	G5	9205025	J3		ZU6	9510040	J3
	H3	9205053	G4	9221020	ZV1		J4
	H4		GA3	9221021	ZV1		M1
9187008	J2	9205068	GA3	9221024	ZV1		Q3
	R1	9206014	Q8	9221025	ZV1		Q7
	GA3		Q10	9221200 S	ZU12		R3
	RA1	9206502	YV14	9221515	ZV1		S1
9187009	H4		YV17	9222123	ZV1		S2
9187012	A9		YW7	9226040	A7		W17
9187023	C3		YX17		AA2		W21
9187026	A16		YX28	9226505	A22		W22
9187205	G2	9206504	ZU5	9226507	AA10		AA3
	GA3	9206518	X6	9227015	W18		AA6
9187220 S	GA2	9206524	YV9	9227024	W18		RA2
9188002	W15		YX11	9227025	W18		YV8
9188040	G2	9206532	YV11	9227046	W18		YV9
	GA2	9206544	A10	9227047	ZU7		YV13
9188075	J3	9207036 S	G4	9227100	W25		YV14
9188096	N4		GA2	9227101	W25		YW5
9192000	M3	9207041 S	H3	9227105	W13		YW6
	MA3	9207052 S	H2	9227106	W13		YX9
9192009	N3		H3	9227111	W15		YX10
9192029	N3	9207065	H2		W17		YX16
9192057	N2	9207208	Q6	9227121	W13		YX17
9192125 S	M3	9207223 S	H3	9227125	ZU9		ZU3
	MA3	9207228 S	H3	9227201	W17	9510041	A12
9192134	N3	9207232	H3	9228002	N6		YX7
9196000	J3	9207247 S	H3	9228003	N6	9510044	YW8
9196003 S	J3	9207267 S	H3	9228004	N6	9510050	D1
9197000 S	G3	9212031	S3	9228005	N6	9510051	UA1
	GA2	9213001	G4	9232015	UA2		YX7
9197031	J4		GA2	9232022	AA11	9510060	R3
9198900	A13		GA3	9232133	A23		R4
9198901	A13	9213004	W15	9232137	A23	9510063	M2
	AA6	9213008	A6		AA11		MA3
9199018	S1		AA2	9233561	TA1	9510073	N2
	S2	9213027	N5	9233573	YV16	9510090	R4
9199024	S1	9213030	A6	9233705	UA2		RA3
	S2	9213031	A6	9233845	X6	9510100	R1
9199163	S1	9213033	ZU8	9252063	YV8		RA1
	S2	9213040	A6	9510020	X7	9520040	X4
9200012	F5		AA2	9510030	A18		X5
9200046 S	A5	9214001 S	A22		D1	9520043	J3
	AA2		T1		D2	9520050 S	A12
9200050	AA2		AA10		YV5		F6
9204011 S	A2		TA1		YW3		H7
9204013 S	A3	9217007	P1		YW5		Q16
	A4	9217013 S	M2	9510031	E2		Q18
	AA1		M3		YV5		AA6
9204028	J4		R4		YV6	9520051	E2
9204029 S	G1	9217014	M2		YW3	9520056	G6
	GA1		R4		YX5		GA4
9204035	GA1		RA3		YX12	9520060	M4

NUMERICAL INDEX

<i>Part No.</i>	<i>Page No.</i>	<i>Part No.</i>	<i>Page No.</i>	<i>Part No.</i>	<i>Page No.</i>	<i>Part No.</i>	<i>Page No.</i>
9520060	Q13	9571053	A4	9660161	GA4	9661161	YW5
	S3	9571073	S2		YV13		YW6
	MA3	9571083	MA1		YX17	9661163	A6
9520061	Q7		MA2		ZU3		A7
9520091	R4	9573083	M2	9660163	A22		A8
	R5	9600041	A21		F1		A13
	RA4		ZU8		J3		E2
9520093	M2	9600051	ZU4		Q13		H5
9540060	Q17		ZU9		W19		J4
9540070	R4	9600521	C4		W22		AA2
	R5		Q7		GA4		GA3
	RA4		W9		YX16		UA2
9540080	M2		CA2	9660201	F1		YW8
	RA3		YX8		M4		YX7
9540100	M4		ZU6		N4		YX12
	MA3	9600522	YX30		RA1	9661181	CC1
9540103	MA2	9600541	CC2		RA2	9661201	A2
9550011	W21	9660101	C3	9660203	F1		A6
9550020	X1		C4		H5		A7
9550031	YV10		CA2		N1		A13
9550051	E2		CA3		N4		A14
9550100	X3		ZU4		RA1		A21
9551034	YV17	9660113	CC1		RA2		A23
9551041	YX13	9660121	C2	9660241	M3		B1
9551043	M4		G5		M4		F3
9551050	A21		G7		Q1		G7
9551053 S	A4		Q18		S3		H1
9551063	YV10		W9		MA2		H3
	YW6		W11		MA3		H7
9552044	J3		W13	9660242	R4		R1
9552053	A21		W14	9660281	A2		R2
	D1		W22		X6		AA2
	E1		X1	9660283	A2		AA3
	DA1		CA1	9660321	X6		AA11
9552083	M2		CB3	9661121	A14		GA1
	MA1		GA4		B1		GA5
	MA2		YX8		YV13		VA2
9552123 S	N5	9660122	X3	9661122	YW6		YV8
9553083	MA1		YX9		YW7		YV10
	MA2		YX10	9661123	X2		YW6
9554053	H5		ZU3		YX6		ZU6
9555073	S2	9660123	E2		YX12	9661203	A2
9556053	H5		W23		YX13		A6
9556123	N5		YX12		ZU1		A7
9557037	A18		YX16	9661161	A6		A13
	AA8		YX28		A7		A14
9558000	YW9	9660161	A22		A8		A21
9558020	YW8		C2		A13		A23
9562011	YV10		C3		G4		B1
9564030	YW7		F1		H5		E2
	YW8		G6		J4		F3
9564031	Q9		J3		X5		H1
	Q10		W19		AA2		H3
9564040	X5		W22		GA3		H7
9568030	W9		X4		YV8		Q8
9571043	M4		CA1		YV10		Q14
9571044	YX12		CA2		YV13		Q17

NUMERICAL INDEX

Part No.	Page No.	Part No.	Page No.	Part No.	Page No.	Part No.	Page No.
9661203	AA2	9663122	YX9	9664162	YX10	9664203	ZU4
	AA3		YX17		YX17		ZU9
	AA11		YX30		ZU8		ZU13
	GA1	9663123	A17	9664163	A21	9664242	A24
	GA5		A20		E1		F4
	UA1		H6		G5		F5
	VA2		J3		M1		G7
	YX7		Q1		Q1		H7
9661241	A21		Q9		Q3		M1
	A22		Q10		Q7		M2
	F4		W2		W21		M3
	H3		W13		X5		N4
	H5		W15		DA1		Q11
	Q17		W22		GA3		Q13
	T1		X5		GA4		Q15
	V1		X7		RA2		R3
	V2		UA1		YX3		R4
	VA2		YV6		YX16		S3
9661242	F4		YV8		YX17		W19
9661562	AA9		YV10	9664202	A24		GA5
9662122	E1		YV11		C1		MA1
	E2		YW4		C3		MA2
	X2		YX6		C4		MA3
	DA1		YX8		D1		RA2
	DA2		YX13		CA2		ZU7
	DB1		YX14		CA3	9664243	Q7
9663082	YV10		YX15		YW2	9664282	M1
9663091	YX15		YX16	9664203	A24		M4
9663092	W21		YX17		C1		Q2
9663093	X3		YX31		E1		S2
	YX14		ZU1		E2		MA1
9663112	X7		ZU2		F6		MA3
9663113	YV11		ZU4		G1	9664322	M1
	YX15		ZU6		G2		MA1
9663121	W19	9663163	YX6		G7	9664323	M1
9663122	A17	9664162	A21		H7		YX14
	A20		D1		N4	9666163	YV4
	C4		E1		P1		YX5
	D1		G4		Q11	9670413	YV10
	D2		J2		Q14		YV12
	J3		M1		Q16		YV17
	Q1		R2		Q17		YV18
	R3		R3		R2	9670423	YV16
	W2		W21		R3		YX14
	W13		X2		T2	9670433	YX30
	W15		X7		U1		YX32
	W22		DA1		AA9	9670613	YW10
	X1		GA3		AA10		YX14
	CA2		RA2		AA11		YX31
	YV4		YV6		DA1	9670621	YX30
	YV5		YV8		DB1		YX32
	YV6		YV9		GA1	9670633	X3
	YV10		YV14		GA5	9711066	YV12
	YV13		YW4		RA2	9711085	YV9
	YW3		YW5		TA1		YW5
	YW5		YX6		YV4	9711106	YW7
	YX5		YX9		YX4	9711109	YV6

NUMERICAL INDEX

Part No.	Page No.	Part No.	Page No.	Part No.	Page No.	Part No.	Page No.
9712066	X1	9733086	W13	9780005	S A20	9804040	N2
9712088	YV18		W22		UA1	9804210	A1
	YW11	9733123	RA3	9781121	S A16		AA1
	YX29	9734066	W3		A19	9805031	A1
	YX32	9734083	H7	9781141	S A13		A11
9712086	YX29	9734086	Q15		T1		A13
9712105	YX29		Q16		AA6		AA1
9713085	YV18		YW12	9782101	UA1		ZU7
9721082	YV12		ZU13	9782121	Q8	9805432	A18
	YX30	9735126	Q11		ZU6	9805480	A1
	YX32	9744083	Q16	9782261	S T2	9809340	S A2
9721085	YV17	9761085	X2		TA1		AA1
	YV18	9761086	X3	9782301	S T2	9810806	A14
	YW7	9762063	YX30	9782321	T2	9810810	S H4
9721105	YW11		YX32		TA1	9810811	H4
	YW5	9762080	YX31	9782341	U1	9812008	Q15
	YW7	9762083	YX30	9782351	U1	9830009	Q16
	YW11		YX32	9782441	UA1	9830013	F8
9722125	YW10	9762085	YX14	9782461	S A17		Q14
9723082	YX29	9762105	Q15		A20	9830506	Q1
9723125	W4	9762145	ZU12		ZU4		Q2
	W5	9763068	YX8	9783301	TA1	9840000	W16
9731046	YV13		ZU10	9783381	S A17		
9731064	X2	9763125	W4		ZU4		
	X3		W5	9784073	CC2		
9731068	YV18	9771063	YX29	9784083	UA2		
9731085	YW7		YX32	9784281	X2		
9731126	W12	9772066	W8		X3		
9732042	YX11	9772084	YX30	9788121	A16	1900405	A21
9732046	G5	9772086	E1		A19	19005070	ZU4
	G6		W19		ZU1		ZU9
	Q11		DA1		ZU2	19052045	YX8
	R3	9772106	E1	9801043	S A1	19104081	S1
	X2		DA1		G1	19104112	YX13
9732063	YX7	9772126	W12		N1	19104131	R2
	YX15	9773066	ZU2		AA1		R3
9732066	D1	9773083	H2		AA4	19104142	YX12
	W8		W13		GA1	19104241	R2
9732082	YX32		W15	9801642	G1	19105091	H6
9732083	YX15		W22	9802041	S A1	19105101	F6
9732084	W19	9773126	W15		A8	19105111	F6
	YV18		RA3	9803013	A9		Q14
	YW11	9774065	F8	9803029	G7	19105121	F4
	YX29	9774066	W3		GA4		F6
	YX32		YX8	9803045	A11		H6
9732085	W11	9774083	H7		AA5	19105131	AA10
	YV16	9774086	Q15		ZU7	19105141	Q14
	YW7		Q16	9803047	A9		F6
9732086	YW11		W19	9803051	MA2		Q14
	YX29	9775106	E1	9803150	A11	19105161	AA10
	YX32		DA1		AA5	19105171	AA9
9732105	YW8		DB1	9803160	A18	19105201	AA10
9732106	E1	9775126	Q11	9803169	J1	19105221	A21
	DA1	9780000	UA1	9803178	H1		V1
9732125	YW7	9780004	S U1	9803179	H5		V2
9732166	W21		UA1	9803188	A1		VA1
9732183	W21		UA2				VA2

8-FIGURE SECTION

NUMERICAL INDEX

<i>Part No.</i>	<i>Page No.</i>	<i>Part No.</i>	<i>Page No.</i>	<i>Part No.</i>	<i>Page No.</i>	<i>Part No.</i>	<i>Page No.</i>
19105221	ZU8	19405121	G2	19504051	YW5	19505081	AA3
19105223	AA4		GA1		YX3		AA7
19105241	Q7	19405143	A16		YX10		AA10
	U1		A19	19504052	A6	19505091	F4
	V1		AA8		W22		Q16
	VA1	19405441	A16		AA2	19505101	A10
	VA2	19406111	A19		GA4	19505111	Q14
19105281	V1		AA8		RA2	19505121	A14
	V2	19406301	T1		YX12		D1
19106081	R4	19406441	A16		YX17		AA6
19106101	Q15	19406481	A16	19504061	D1		AA10
	R3	19503021	E2		R2	19505141	F6
	RA2		DA2		YV9	19505162	AA6
19106121	A19		DB1		YW8		AA10
19106131	YV10	19503031	A18	19504081	Q11	19505181	A14
	YW6		A20		Q13	19506041	W19
19106141	R3		Q1		S1	19506042	W19
	RA2	19503041	A11		S2	19506061	G7
19106163	M2		A14	19504091	A8		Q17
19106183	F4		A17		AA4	19506071	Q11
	H5		D2	19504092	A8		MA3
19106203	A22		J3		AA4	19506073	A6
	M1		Q18	19504121	YW6		AA2
	S3		W13	19505032	RA2	19506081	Q15
	AA9		UA2	19505041	D1	19506101	F4
	MA1		YW8		T2		H5
19106223	A22		ZU1		YV4		Q15
	AA10		ZU2		YW2		RA2
19106241	R3		ZU4	19505051	R3	19506113	M1
	R4	19503042	W2		ZU5		MA1
19106261	RA3		X5	19505052	UA1	19506143	M1
	RA4		ZU2	19505061	A7		MA1
19106271	R3	19503051	YW7		A24	19507061	A10
	RA2		ZU3		F3	19507103	Q2
19107111	X6	19503052	X2		H5	19508081	X6
19107113	Q2		ZU1		M4	19603031	W17
19107133	M4	19503081	YW6		U1	19604031	G4
19107143	M1	19504021	RA3		AA3		GA3
	M4	19504030	MA2		TA1	19604041	F4
	MA1	19504031	Q7		VA2		G4
	MA3		X5		YV4		H5
19107153	M4	19504033	Q1		YW2		GA3
	MA1	19504041	R2		YX4	19504051	A7
	MA3		YV13	19505062	A7		A13
19107163	M1	19504042	YV14		A24		A22
	AA1		YW5		F3		A23
	MA1		YX17		H5		T1
19107203	A1		ZU3		Q16		AA6
	AA1	19504043	X2		U1	19604051	AA11
19107213	M4	19504051	A6		AA3	19604052	A13
19107302	S2		W22		TA1		E2
19108113	ZU5		X5		VA2	19604061	G5
19108143	X6		X7	19505081	A7	19604061	GA4
19108183	X6		GA4		A14	19605041	A13
19404051	AA2		RA2		A21	19605041	F4
19405061	A23		YV9		N4	19605042	T1
19405091	A20						
19405111	G2						

NUMERICAL INDEX

Part No.	Page No.	Part No.	Page No.	Part No.	Page No.	Part No.	Page No.
19605051	A23	29805104	A19	39104080	Q2	39303081	YV5
	Q8	29805111	H5	39104120	YW8		YV11
	AA11	29805113	A17	39105243	A13		YV12
	ZU5		AA9	39112101	X7		YV13
19605071	A21	29805114	AA8	39113041	YX14		YW2
	H1	29805131	A20	39113082	YX13		YW3
	R1	29805133	A11	39113102	YX13	39303082	YV6
	AA9	29805134	A16		YX16		YV18
	RA1		A19	39114081	Q2	39303084	YV6
19605081	H3	29805144	A16	39115241	A13	39303101	B1
	R2	29805244	A19		AA6	39303120	E1
	RA2		AA8	39201082	YV10		W13
19605091	A20	29805253	A11	39203160	W13		DA1
	H7		AA5	39213061	YX13	39303203	YW7
19606081	AA8	29900011	J1		YX16	39304060	W4
19606101	F5	29900249	A16	39213062	YV6	39304061	YV6
19606111	F4		A20	39213082	YV8		YW4
19606121	H3		VA1		YW5	39304081	YV13
19606151	F5	29900257	A11		YX5	39313051	GA4
19705111	G2	29900268	N2		YX13		YX17
19803032	YX6	29900372	N1		YX14	39313061	H6
	YX12	29900401	G2		YX15		W19
	YX28	29900416	A19	39213102	YV12		YX5
19804052	UA1	29900426	F4	39213122	YV6		YX12
	UA2	29900442	GA1		YW4		YX13
19805071	G7	29900445	A20	39213142	YX8		ZU13
	H7	29900446	A11	39213162	YX5	39313081	A18
	GA5		AA5	39214082	YV12		H6
19805072	H7	29900448	F4	39214161	YW5		W11
	GA5	39001042	YV11	39214202	YX5		W13
19806101	S3	39003061	YV11	39233082	YX6		W14
19806121	Q15	39004400	YX11	39233162	YX6		W15
29504111	A8	39011062	YV7	39233201	YX10		W22
	AA4		YW4	39234201	YV8		X1
29505102	N1		YX14	39302041	YV11		X2
29505111	B1	39021050	R3	39303040	YV10		X7
	AA11	39023061	YV11	39303050	G5		AA8
29505153	Q14	39033060	C4		G7		RA3
29704092	J1		W13	39303051	YV11		UA1
	J3		CA2		YV17		YX4
29704122	J1	39033061	W13	39303060	H6		YX5
29704162	J3	39033140	Q7		W19		YX8
29704182	J3	39034120	C3		YV6		YX13
29705113	A14		CA2		YV10		YX15
29705123	A20	39034160	C2		YW4	39313101	X7
	AA8		CA1	39303061	YX13	39313102	YX14
	VA2	39084180	C3		YX16	39313121	E1
29605263	A12		CA2	39303071	YV10		E2
	AA5	39103080	YV10	39303072	YW11		W13
29804303	A12		YV14	39303080	H6		DA1
29804313	A12		YW9		R3		DA2
	AA6	39103082	YV4		W13		DB1
29805093	A11	39103120	YW8		W22	39314051	YX6
	AA5	39103160	YW8		X3	39314061	W4
29805101	A23	39103162	YV4	39303081	W11	39314080	YX3
29805103	A11		YW3		W14	39314081	YX6
	AA5	39103243	YW7		YV4		
29805104	A16						

NUMERICAL INDEX

<i>Part No.</i>	<i>Page No.</i>	<i>Part No.</i>	<i>Page No.</i>	<i>Part No.</i>	<i>Page No.</i>	<i>Part No.</i>	<i>Page No.</i>
39333061	YX12	49503082	Q16	H107727	YW3	H111746	YV18
39333062	YX6	59320626	H4		YX5		YW11
39333081	YX17	59321026	H1	H107735	YV5		YX16
39333082	YX6	59321626	H4		YW3		YX29
39403051	C4	59323226	H4		YX5		YX32
	CA2	59410811	A10	H107821	YV4	H111749 S	YV5
39403070	W4	59410909	A8		YW3	H111777	ZU12
	W6		AA4		YX5	H112057	YV3
39403081	RA3	59421826	H2	H108236	YV5	H112770 S	YV1
39403100	W19	59422007	H5		YV7		YW1
39403142	YV5	59422226	H3		YW3		YX1
	YW3	59423207	H5		YW4	H112771 S	YV1
39403200	W19	59521607	H4		YX5		YW1
39404060	YV13	59522207	H3	H108588	YV5		YX1
39404123	YV10	59622601	F4		YW3	H114246	YW6
	YW6	59623401	F5		YX5	H114512	YV1
39405140	YV10	69609163	YV13	H108682	YV5	H115785	YW8
	YW6		YX16		YW3	H116087	YX5
39413061	Q9	"H" SECTION		H108683	YX5	H116241	YV4
	Q10				YV5		YW2
39413071	W4	H26255	YW5		YW3	H117201	YV8
	W6	H63579	YV5	H109020	YX5		YW5
39413142	YX5				YV5		YX8
39413181	W23		YW3		YV7	H117248	G7
39413201	W19		YX15		YW3	H117729	YX12
39700106	YW9	H78886	YV1		YW4	H117952	YV1
39702120	YW8	H90305	YV5		YX5		YW1
39711042	YX6		YV7		YX7		YX1
39711061	YX31		YW3	H109222	YV1	H117953	YV1
39711062	YX6		YW4		YW1		YW1
	YX15	H92643	YW6	H109223	YV1		YX1
39711122	X3	H92644	YW6		YW1	H118499	G7
	RA3	H92647	YW6		YX1	H118625 S	YV5
39713062	YX14	H95217	YV4	H109714	YV5		YW3
39731141	YX6		YW2		YW3		YX5
39601101	RA3		YX4	H109715	YV5	H118680	YX10
39602080	YW8	H97390	YW6		YW3	H118996	YV5
39611161	W21	H101100 S	ZU5	H109776	YX28	H119754 S	ZU11
39803060	YV13	H101101 S	ZU5		YX31	H119755 S	ZU11
39803081	T1	H101245	YV4	H109923	YV5		
39811041	YX14		YW2		YV7		
39811052	YX15		YX4		YW3		
39811061	YX31	H104349	YV4		YW4		
39812061	YX15		YW2	H109924	YV5	K3877	F1
39812062	YX15		YX4		YV7	K7961	W19
39813061	YX16	H104883	U1		YW3	K9033	B1
39902040	U1	H105444	YV14		YW4	K9038	B1
39912041	U1	H107444	YV4		YX5	K9039	B1
49016005	YV7	H107445	YV4		YX7	K9056	F1
	YW5	H107460	YV4	H110663	YX4	K9058	F1
49210082	X2	H107461	YV4	H111484	X3	K9279	P1
49252063	YX9	H107702	YV5	H111727 S	ZU11	K10099	P1
	ZU1	H107703	YV5	H111728 S	ZU10	K10108	B1
49313052	Q11	H107726	YV5	H111745 S	W12	K10481	B1
	Q13		YV3		YV5	K11408	CB1
49353202	W19		YX5		YW3	K11431	CB1
49361042	GA4	H107727	YV5	H111746	YV12	K11432	CB1

NUMERICAL INDEX

Part No.	Page No.	Part No.	Page No.	Part No.	Page No.	Part No.	Page No.
K11432	CB1	K21725	S R1	K24582	S A9	K25640	J1
K11445	CB1		RA1	K24587	A9	K25642	J1
K11726	C3	K21765	T1	K24588	A9	K25673	W2
K12397	P1	K21773	S W19	K24591	A9	K25674	S W2
K12519	W17	K21836	Q1	K24592	A9	K25675	M4
K12549	CB3		Q2	K24598	C2	K25676	M4
K12550	CB3		Q3		CA1		S3
K12553	CB2		Q4	K24608	CC1		MA3
K12557	CB3		Q5	K24619	C3	K25677	M4
K12558	CB3		Q8		CA2	K25689	J1
K13594	C1		ZU6	K24647	C4	K25847	S J3
	C3	K22438	W16	K24718	S C3	K25863	J2
	C4		W17		CA2	K25864	J2
	CA1		ZU7		ZU4	K25867	J3
	CA2	K22550	C4		ZU7	K25902	S J2
	CA3		CA2	K24917	S J2	K25921	F5
K13970	P1	K22744	W6	K24988	S W16	K25922	F5
K14116	W19	K22745	W5		W17		F6
K14374	Q15		W6		ZU7	K25923	F5
K14603	CB2	K22755	F1	K25023	W11		F6
K15494	W14	K22773	S W10	K25349	P1	K25924	F5
K17853	S B1	K22774	S W10	K25351	A9	K25925	F5
K18380	B1	K22775	S W10	K25353	S A10		F6
K18847	B1	K23108	W4	K25486	S W4	K25948	W22
K18969	R4	K23386	S3	K25489	S W4	K25949	W22
K19256	S B1	K23440	S W16	K25506	W16	K25951	W22
K19257	S B1	K23631	F5		W17	K25986	S W16
K19258	S B1	K24037	C1	K25514	S F7		W17
K19260	B1		C4	K25517	F7		ZU7
K19262	B1		CA1	K25518	F7	K25987	S W16
K19263	S B1		CA2	K25520	F7		W17
K19264	S B1	K24185	J1	K25524	F7		ZU7
K19265	S B1		J2		F8	K26027	CB1
K19286	W19	K24187	S J2	K25525	S F7	K26060	S J2
K19298	S F3	K24193	J1	K25587	B1	K26068	W8
K19651	S CB2	K24207	J1	K25592	M2	K26168	W10
K20239	Q7	K24221	S J3	K25593	M2	K26169	W10
K20251	W14	K24237	S J3	K25594	M2	K26170	W10
K20255	W14	K24238	S J3	K25595	M2	K26171	W8
K20299	Q15	K24240	S J3	K25596	M2		W10
K20302	Q15	K24242	J4	K25597	M2	K26172	W10
K20322	B1	K24275	R1	K25615	S J2	K26242	F7
K20323	F1		RA1	K25616	J1	K26244	YW6
K20325	F1	K24439	X2	K25617	J2	K26378	S C2
K20326	F1		X3	K25618	J2	K26379	S C2
K20329	S F3		ZU1	K25619	S J2	K26381	C2
K20617	S W8		ZU2	K25621	J3		CA1
K20720	S F3	K24477	S A9	K25622	J3		CC2
	ZW1		A10	K25623	J3	K26387	S C2
K21116	S W23	K24483	YW6	K25625	J3		CA1
K21127	F1	K24527	F1	K25626	J3		ZU7
K21447	F1	K24538	W4	K25631	J4	K26388	S C3
K21455	S3	K24543	A10	K25632	J4		CA1
K21463	S B1	K24545	A10	K25633	J4	K26389	C3
K21471	S B1	K24546	A10	K25634	J4		CA1
K21724	S R1	K24548	A10	K25635	J4	K26390	S C3
	RA1	K24555	S A10	K25638	S J1		CA1

NUMERICAL INDEX

<i>Part No.</i>	<i>Page No.</i>	<i>Part No.</i>	<i>Page No.</i>	<i>Part No.</i>	<i>Page No.</i>	<i>Part No.</i>	<i>Page No.</i>
K26391	C3	K26791	TA1	K29834 S	R1	P41602 S	B1
	CA2	K26792	T2		RA1	P42165	ZV1
K26392	C3		TA1	K29835	R1	P42213	W10
	CA2	K26795	W11		RA1	P42712	W18
K26394 S	C3		W12	K29837	R1	P42903	F6
	CA2		ZU13		RA1	P42910	W19
K26395	C3	K26796	W8	K29838	R2	P43050	W15
K26414	C3		W9	K29839	R2	P43138 S	W4
	CA2		W11	K29840	R2	P43225	ZU1
K26415	C3	K27803	C3		RA2		ZU2
	CA2		CA2	K29841	R2		ZU3
K26416	C3		ZU4		RA2	P43272	YV4
	CA2	K27804	C3	K29844	W20		YW2
K26417	C3		CA2	K29861 S	R4		YX4
	CA2		ZU4	K29863 S	R4	P43555	YW12
K26419	C3	K28405	W8	K29865	R4		YX8
	CA2		W10	K29866	R4		ZU13
K26424 S	C3	K28491	W20	K29867	R4	P43586	W24
	CA2	K28714	Q3	K29868	R4	P43647	YX7
K26425	C3		Q4	K29891 S	C1	P43666	J3
K26426	C3		Q5		CA1	P43759	X3
	CA2	K28759	ZU1	K29893	C1		X4
K26430	C1	K28837	W16		CA1		YV9
	C4	K28865	Q7	K29894 S	C2	P43759	YW6
	CA1	K29057	C4		CA1		YX11
	CA2	K29072	W5	K29895	C2	P43848 S	A9
K26431	C4		W7		CA1	P43870	YX32
	CA2	K29236	J4	K29896 S	C3	P43921	Q11
	ZU7	K29445	J1	K29897 S	C3	P43996	YV16
K26433	C3	K29447	F5		CA2	P44399	W18
	ZU4	K29472	RA1	K29900	C4	P44447	W14
K26434	C3	K29496	F7		CA2	P44691	W18
K26497	C2	K29497	F7	K29901	C4	P44863	W4
	CA1	K29578	F7		CA3		W6
K26644 S	W3		F8	K29902	C4	P44927	W17
	W24	K29738	W8		CA3	P44952	W10
K26655	W20	K29739	W8	K29997 S	CB3	P44994 S	B1
K26763 S	J1	K29804	F7	K30057	CA2	P45149	W11
K26764	J1	K29805	F5	K30068	Q3	P45185 S	W12
K26765	J2	K29815	W8		Q5		YW3
K26766	J2		W9	K30070	Q3	P45202	W22
K26772	J2	K29821 S	R1	K30072	Q3	P45203	W22
K26773	J3	K29822 S	R1	K30119 S	W2	P45208	W14
K26780	W8	K29825 S	R1				ZU13
	W10		RA1			P45489	D1
K26781	W8	K29826 S	R1			P45492 S	W21
	W9		RA1			P45506	R2
K26785	W1	K29827 S	R2	P22341 S	N1	P45508	W2
	W2		RA2	P27766	G4	P45557	YW6
	W3	K29828 S	R2		GA3	P45610	ZV1
	W23		RA2	P29673	H5	P45621	W2
	ZU11	K29829 S	R2	P38024	Q16	P45670	W10
K26788	T2		RA2	P40777	W13	P46249	W2
	TA1	K29832	R1	P40883	W25	P46259	W8
K26789	T2		RA1	P41121	W18	P46371 S	W3
	TA1	K29833	R1	P41399	ZV1	P46376	W2
K26791	T2		RA1	P41405	W25		
"P" SECTION							

NUMERICAL INDEX

<i>Part No.</i>	<i>Page No.</i>	<i>Part No.</i>	<i>Page No.</i>	<i>Part No.</i>	<i>Page No.</i>	<i>Part No.</i>	<i>Page No.</i>
P48449 S	A12	P79453 S	G3	P103610	AA2	P106963 S	A13
P48510	A1	P79465	G4	P103612 S	A6		ZW1
	AA1	P79466	G4		AA2	P106976 S	A6
P48512	A8	P79467	G5	P103613	A6		ZW1
P48520 S	A13	P79468	G4		ZU7	P106984	A12
P48554 S	A7	P79469	G5	P103618 S	A6		AA5
P48568 S	A4	P79470 S	G5		H1	P106990	A9
P48600 S	N4	P79472 S	G5		AA2	P106991	A9
P48610 S	M3	P79756	ZV1	P103620 S	A6	P106997	A7
P48612 S	M1	P79758	ZV1		AA2		AA3
P48678 S	F5	P80515	A16	P103627	A13	P107009	A14
P48726 S	A13		AA8	P103631	A14	P107010	A14
	ZW1	P80667	Q16	P103633	A14	P107013 S	A14
P48790 S	ZU9	P80810	Q16	P103637 S	A12	P107014	W16
P48794	J4	P81476	Q15		AA5		ZU7
P48880	G5	P82493 S	GA3	P103638 S	A12	P107017	A14
P48890 S	M2	P83404	Q17		AA5	P107030	W18
P49043	Q13	P83410	Q16	P103640	A13	P107526	M4
P49219 S	Q13		Q18		AA6	P107710 S	A7
P49242	X2	P83576 S	M1	P103641 S	A13		AA2
P49275	YX10		MA1	P103642	A13	P107711 S	A7
P49277	YX10	P83744	Q15		AA6		AA2
P49280	X4	P84636	S3	P103646 S	A13	P107712 S	A9
P49330	ZV1	P84770 S	S1		AA6	P107782 S	A7
P49339 S	B1		S2	P103652 S	A22	P107783	A7
	J4	P84837 S	A13	P103653 S	A14	P107784	A7
	UA2	P85798	ZU1		AA6	P107799 S	A22
P49949	A9		ZU2	P103658 S	A14	P107824	A6
P49950 S	Q13	P86109	ZU13	P103667 S	A7		AA2
P49364	F1	P86489	M2		AA3	P107829	A24
P49376 S	M3	P86825 S	A13	P103685 S	A4	P107837 S	A8
	MA3	P86920	G5	P103686 S	A4	P107853 S	A7
P49394	YX30	P87227 S	G5	P103710	F4	P107854 S	A7
P53238	F5	P87309	G5		H5	P107857	A7
P53483	S3	P88401 S	A13	P103727 S	B1		ZW1
P53782	ZV1		AA6	P103732	A7	P108015 S	N5
P54548 S	S2	P88568 S	G1		AA2	P108016	N5
P55499 S	G6	P88869 S	G4	P103740 S	A10	P108101	G1
P55502	G6	P89609	A22		AA4	P108103	G1
P55506 S	G2	P89716 S	R4	P103746	A12	P108106 S	G3
P55507 S	G2		RA3	P103756 S	A1	P108150 S	M1
	GA2	P89717 S	R4	P103766 S	A6	P108154 S	G2
P55508	G2		RA3		AA2		GA1
P55514	G3	P100892 S	W18	P103779	U2	P108159	G4
P55516 S	G3	P100976	ZV1	P103911 S	A21		H5
	GA2	P101063	G6	P103912 S	A12		GA3
P55542 S	G4		GA4		AA5	P108160 S	G1
P55543 S	G4	P101071 S	A24	P103989 S	ZU11	P108186 S	R4
P55557 S	G5	P101092 S	H7	P105318 S	G3		RA3
P55582	N3	P101195	Q18	P106446	MA3	P108208 S	N4
P55584	N2	P101404	W23	P106890 S	A2	P108222	Q17
	A6	P101413	D1		A7	P108231	Q17
	AA2	P101550	Q17	P106923 S	A6	P108331	M2
P56184 S	W18	P102286	ZV1	P106938	F4	P108341 S	M2
P65356	S3	P102536	G1	P106950	A2	P108345 S	M2
P65589	Q15	P103609 S	A5	P106953	A9	P108393 S	Q15
P71484	G7	P103610	A6	P106954	A10	P108396	F7

NUMERICAL INDEX

<i>Part No.</i>	<i>Page No.</i>	<i>Part No.</i>	<i>Page No.</i>	<i>Part No.</i>	<i>Page No.</i>	<i>Part No.</i>	<i>Page No.</i>
P108396	Q14	P110493	Q17	P115145 S	R5	P116914	CB1
P108521 S	M1	P110494	Q17		RA4	P117316 S	D2
	MA1	P111250 S	D2	P115227	T1	P117379	X3
P108539	M1	P111343 S	A22	P115278	G6	P117479	X2
	M3	P111631 S	A17	P115282	G6		ZU1
P108548 S	M3	P111687	A22	P115289	G7		ZU2
P108551	F5	P111850	A10	P115290 S	G7	P117694	G4
P108681 S	M3	P111870 S	M2	P115291	G7		H5
	MA2	P111974	D2	P115293	G6		GA3
P108742 S	R4	P112054	V1	P115862	A16	P118772	A6
P108799 S	D1		VA2	P116064	Q8		AA2
P108834	M4	P112056 S	VA1		Q11		ZU7
P108941	J4	P112070	D2	P116082	A6	P118812	A1
P109206	R2	P112108 S	M3	P116089	G7	P118849	D2
	R3	P112109 S	M3		GA5	P118862	A6
P109221	M4	P112116 S	A12	P116252	M4	P118863 S	A12
P109231	D1	P112147 S	A6		MA3		AA5
	Q14		AA2	P116368 S	R4	P118869	A11
P109299	Q17	P112178	A21	P116396	G3		AA5
P109313 S	F7	P112542	W14	P116474	S3	P118872	A12
	Q14		ZU11	P116554	E2	P118877 S	A12
P109314	F7	P112594	A15		DA2		AA6
	Q14	P113399	F6		DB1	P118878 S	A12
P109410 S	G2	P113421 S	A24	P116565 S	M2		AA6
P109411 S	G2		V1	P116601	D2	P118879 S	A12
P109412 S	G2		V2	P116603	D1		AA6
P109416	G4		VA2	P116691	ZU1	P118883	A12
	GA2		ZU7	P116808 S	M1	P118884 S	A12
P109417 S	G4	P113452	G5	P116809 S	M1		AA6
P109421	G4	P113464	G4		MA1	P118888 S	A13
P109431	M4	P113467	G4	P116810 S	M1		AA6
P109665 S	M2	P113516	ZV1		MA1	P118891	A16
P109696 S	M1	P113548	M1	P116870 S	F7		AA8
	MA1		MA1		Q14	P118901	T1
P109832	F5	P113549	M1	P116871	F7	P118902 S	T1
P109951 S	F5		MA1		Q14	P118909	A12
P109952	F5	P114229 S	A13	P116888 S	T1		
	ZW1	P114230	A7	P116892 S	A13		
P109981	F5	P114247 S	A9				
P110093 S	C4	P114267	A21				
P110094 S	D1	P114373	T1				
P110221	M1	P114428	T1				
		P115000	F4				

PRINTED IN ENGLAND BY EDWARDS THE PRINTERS LTD., COVENTRY

The enclosed publication
was omitted from the initial issue
due to reprinting.

Literature Department
HUMBER LTD.

AMENDMENT No. 16 To PARTS LIST 860892 (Cont)

Part No. / Page No.	New Part No.	Description	Quantity	Nature of Modification
A.20 Cont'd.	19405091	Bolt 5/16" UNC - Camfetter to Induction Manifold	4 Off	Add to Parts List with remarks "From B.94102740 Standard Transmission only"
A.22	19804051 9086003	DISTRIBUTOR - Series III & IV Bolt 1/2" UNC x 3/8")Distributor Washer 1/2" DC Spring)to Bracket	2 Off 2 Off	Add remarks "Up to B.94102877"
	19804051 9086003	Bolt 1/2" UNC x 3/8" Washer 1/2" DC Spring	1 Off 1 Off	Add to Parts List with remarks "From B.94102878"
AA.1	8110421	Gudgeon (Piston) pin .0001" above top limit	4 Off	Add to Parts List
AA.2	5221802 P.103766 1202443 1208888 P.118773 P.107824	Main Bearing Set (.040" Undersize) Starting Jaw) Tabwasher)Starting Jaw)Crankshaft Washer)		Part No. correction Add remarks "Up to B.94102860"
	1235128	Starting Jaw - Crankshaft	1 Off	Add to Parts List with remarks "From B.94102860"
		Thrust Plate (Standard) - Camshaft		Amplify Description.
		Thrust Plate (.004" Oversize) - Camshaft	1 Off	Add to Parts List
AA.3	1288013 5043888 5044738 1235047 5043899	Oil Pump Filter Assembly Oil Pump Filter Assembly Locknut		Add remarks "Superseded by sheets one Data Sheet 26/316" Add remarks "Superseded by 1288047" Add to Parts List
AA.4	5041816 5043848 5041816 5041816	Filter Base Relief Valve Assembly Washer - Relief Valve Oil filter cartridge		Add remarks "Up to B.94102818"

Printed in England

AMENDMENT No. 16 To PARTS LIST 6600992 (Cont.)

List No.	Old Part No.	New Part No.	Description		Nature of Modification
AA.4 Cont'd.		5058202 5058201 5058200 5057987 9077616	Filter base) Relief valve Assembly)Oil Washer)filter unit Oil filter cartridge) Washer - Valve Cap	1 Off 1 Off 1 Off 1 Off 1 Off)Add to parts)with remarks)"From)B.395012220". Add to Parts List with remarks "Alternative to 9077045".
AA.5	P.118863 P.118879		Push Rod Adjusting screw - Rocker		Add remarks "Up to introduction of 1238510". Add remarks "Up to introduction of 1238404".
		1238510 1238404	Push Rod Adjusting screw - Rockers	3 Off 3 Off)Add to Parts List)with remarks)"From B.395016812"
AA.6		1238500	Joint - Distributor Bracket to Cylinder Block	1 Off	Add to Parts List.
AA.7	19608081 9068016 9169001 9078033	P.30515 5221254 9038176 9029169 9038016 9038237 19400111	Bolt $\frac{3}{8}$ " UNC x 1")Induction Manifold Washer $\frac{3}{8}$ " plain)to Cylinder Head Clamp - Induction Manifold toCyl.Hd. Washer $\frac{3}{8}$ " S/proof) Distance Piece)Clamp Nut) Washer $\frac{3}{8}$ " plain) Bolt $\frac{3}{8}$ " UNC)Induction Pipe Bolt)to Cylinder Head	1 Off 1 Off 1 Off 1 Off 2 Off 1 Off 2 Off)Add remarks "Up)to B.395016334".))Add to Parts)List with)remarks "From)B.395016335"))))Add remarks "Up)to B.395002980"
		9169025	Hose Connector - Water Pump	1 Off	Add to Parts List with remarks "From B.395002981"
AA.8		1239234 1239235	Oil Cooler Bracket - Oil cooler hose to radiator mounting Bracket - Oil cooler hose to rocker cover	1 Off 1 Off)Add)to)Parts)List.

Continued.

AMENDMENT No. 16 To PARTS LIST 6600992 (Cont.)

Page No.	Old Part No.	New Part No.	Description	Nature of Modification
AA.8 Cont'd.	19105201		Bolt 5/16" UNF x 2 1/2")Adjusting Strap to Distance Piece)Water Pump)Add remarks "Up)to B.395005370".
	9088194	19105161 9088193	Bolt 5/16" UNF x 2")Adjusting Strap 1 Off Distance Piece)to Water Pump 1 Off)Add to Parts List)with remarks)"From B.395005371"
	1235178		Support Bracket)Add remarks "Up
	19105131		Bolt 5/16" UNF x 1 1/8")Alternator to)to B.395002436
	9068013		Washer 5/16" plain)Support)
	5220701		Nut 5/16" UNF)Bracket)
		1238066 19505081 19105121 9664203	Support Bracket - Alternator 1 Off Bolt 5/16" UNF x 1" Front)Alternator 1 Off Bolt 5/16" UNF x 1 1/2" Rear)to support 1 Off Washer S/proof Front & Rear)Bracket 2 Off)Add to Parts)List with)remarks "From)B.395002437".
19605071	5220697	Bolt 5/16" UNF x 3/4" - Alternator to Adjusting Strap	Part No. & Description Change	
	1239485	Fan Blade 1 Off	Add to Parts List with remarks "Service use only"	
AA.9	1238581		Suction Pipe - Distributor Auto Control	Add remarks "Up to B.395016247".
		9232022	Suction Pipe - Distributor Auto Control 1 Off	Add to Parts List with remarks "From B.395016247"
B.1	1235900		Petrol (Fuel) Pump	Add remarks "Up to B.395014598".
	K.17853		Washer) Oil Seal	
	K.20322		Retainer)	
	1238591 5031040 5031043	Petrol (Fuel) Pump 1 Off Retainer - Oil Seal 1 Off Oil Seal - Fuel Pump 1 Off)Add to Parts List)with remarks)"From B.395014598"	
CC.1/2	5043248		Screw - Throttle Stop)
	5044241		Throttle Spindle - Front Carb.)
	5044270		Screw - Butterfly Fixing)Add remarks "Up)to B.395013384"
	5043889		Clip - Choke Control Bracket)
	5044255		Washer - Needle Valve)
	5044266		*Float - Front Carburettor)Rubber)
	5044267		*Float - Rear Carburettor))
	5044254		Bushing Retaining Screw c/w 'O' Ring)
	5044261		Air Valve, Shaft & Diaphragm)
			* Add remarks "Rubber")

Continued.

AMENDMENT No. 16 To PARTS LIST 6600992 (Cont.)

Part List No.	Old Part No.	New Part No.	Description	Nature of Modification		
CC.1/2.		5058814	Screw - Throttle Stop	2 Off)		
		7080323	Throttle Spindle - Front Carburettor	1 Off)		
		5043198	Screw - Butterfly fixing	4 Off)Add to Parts		
		5058194	Clip - Choke Control Bracket	1 Off)List with remarks		
		9077071	Washer - Needle Valve	2 Off)"From B.395013385"		
		5058811	Float & Arm - Front Carb.) Nylon	1 Off)		
		5058812	Float & Arm - Rear Carb.)	1 Off)		
		5058195	Bushing Retaining Screw c/w 'O' Ring	2 Off)		
		5058813	Air Valve, Shaft & Diaphragm	2 Off)		
		*5058887		Metering Needle (5U)	2 Off)Add to Parts	
		**5058888		Metering Needle (5V)	2 Off)List with remarks	
				* Between 5,000 - 10,000 feet)High Altitudes	
				** Over 10,000 feet.)as shown.	
		DA.1	1229377 1229378		Cross Shaft - R.H.D.)Add remarks
	Cross Shaft - L.H.D.)"Up to B.94101776"		
1229380	CROSS SHAFT - Accelerator RHD			1 Off)Add to Parts List		
1229379	CROSS SHAFT - Accelerator LHD			1 Off)with remarks		
)"From B.94101777"		
E.1	1229377 1229405		Cross shaft - R.H.D.)Add remarks "Up		
			Cross shaft - L.H.D.)to B.94101776".		
		1229380	CROSS SHAFT - Accelerator pedal RHD	1 Off)Add to Parts List		
		1229445	CROSS SHAFT - Accelerator pedal LHD	1 Off)with remarks		
)"From B.94101777".		
F.1	1801080	1801080	CLUTCH COVER ASSEMBLY	1 Off)Add to Parts		
		* 5042962	Cover & Strap Assy.	1 Off)List with remarks		
		* 5042959	Pressure plate	1 Off)"See Data Sheet		
		* 5042961	Rivet)Pressure	3 Off)2A/302".		
		* 5042960	Clip)plate	3 Off)		
						* Export only
				Clutch Cover Assembly		Add remarks
						"Superseded by
						5058630. See Data
						Sheet 2A/320".
			5058630	Clutch Cover Assy.	1 Off - Add to Parts List	
			5042962	Cover & Strap Assy.	1 Off)	
			5058631	Diaphragm Spring & Release)Add to Parts List	
				Plate Sub Assembly	1 Off)with remarks	
			5043464	Diaphragm Spring	1 Off)"Export Only"	
			5058614	Release Plate	1 Off)	
			5058615	Sleeve - Release Plate	1 Off)	
			5058173	Belleville Washer	1 Off)	
			5042955	Fulcrum Ring	2 Off)	
	5057920	Locating Pin	3 Off)			
	5057921	Shouldered Rivet	6 Off)			
	5058632	Pressure Plate	1 Off)			

AMENDMENT No. 16 To PARTS LIST 6600992 (Cont.)

Parts List Page No.	Old Part No.	New Part No.	Description	Nature of Modification
F.1 Cont'd.		5042961 5042960	Rivet) Pressure Plate Clip)	3 Off) 3 Off) "Export only".
F.2	1800749		Clutch Cover Assembly	Add remarks "Superseded by 1801304 see Data Sheet 2A/307".
		1801304	Clutch Cover Assembly	1 Off)
		5042601	*Cover c/w Straps	1 Off)
		5043797	*Fulcrum Ring	2 Off)
		5044974	*Diaphragm spring & Release Plate Sub Assembly	1 Off) Add to Parts List with remarks
		5058172	*Release Plate - Clutch	1 Off)
		5058173	*Belleville Washer)Release	1 Off)
		5058174	*Sleeve)Plate	1 Off)
		5042602	* Shouldered Rivet	9 Off)
		5042608	* Pressure Plate	1 Off)
		5044957	* Clip)Pressure	3 Off)
		5042610	* Rivet)Plate	3 Off)
			* EXPORT ONLY	
	1801180 5043787 K.19298		Clutch Driven Plate Facing Package Rivet	Add remarks "Up to B.395015215"
		1801562	Clutch Driven Plate	1 Off)
		5059037	Facing Package	1 Off)
		K.19298	Rivet	16 Off) Add to Parts List with remarks "From B.395015215" Up to intro- duction of 1801303
		1801306	Clutch Driven Plate	1 Off)
		5059037	Facing Package	1 Off)
		K.19298	Rivet	16 Off) Add to Parts List with remarks "From B.395017305" B 395017327 O/Drive. Std.
F.6	1206070 1206077 1206069		Clutch Pedal - R.H.D. Clutch Pedal - L.H.D. Rubber Pad - Clutch Pedal	Add remarks "Up to B.395002341 RL & B.395002286 LR"
		1236454	Clutch Pedal - RHD	1 Off)
		1236455	Clutch Pedal - LHD	1 Off)
		1217859	Rubber Pad - Clutch Pedal	1 Off) Add to Parts List with remarks "From B.395002345)RHD & B.395002287)LHD".
F.7	9163354		Pipe Line - RHD	Add remarks "Up to B.395002512".

Continued.

Printed in England

Parts Page	Old Part No.	New Part No.	Description	Nature of Modification
F.7 Cont'd.	9163348	9163427	Pipe Line () Master cylinder	1 Off)Add to Parts
		1236791	Pipe Line - Nylon (RHD) to slave cyl.	1 Off)List with remarks
		1236798 1236783	Adaptor - Pipe Line Clip - Pipe Line to Frame	1 Off)"From 1 Off)B.395002513".
	7080081	Pipe Line - LHD, Master Cylinder to slave cylinder		Amend remarks to read "Series III From B.3904718 S/Top, B.9203367 G.T. & B.9250157 CKD South Africa, onwards".
			Pipe Line - LHD - Master Cylinder to Slave Cylinder	Delete from Parts List.
GA.1 GA.2	5220998 5220999 1229418 1229419 1228905 1228906		GEARBOX UNIT - Non O/Drive GEARBOX UNIT - O/Drive Models Mainshaft Mainshaft Synchro Hub & Sleeve Reverse Wheel & 3rd./4th. Synchro. Hub))Add remarks "Up)to introduction) of 5221289) 5221290 etc.")
	1229456	5221289 5221290 1238388 1239414 1239416 5221245 5221246	GEARBOX (Transmission) UNIT 1 Off GEARBOX (Transmission) UNIT 1 Off Primary (Clutch) Shaft (Stemwheel) 1 Off Mainshaft 1 Off Mainshaft 1 Off Synchro Hub & Sleeve 1st. & 2nd. Speed 1 Off Reverse wheel and 3rd./4th. Synchro Hub 1 Off.	Non O/Drive Models Overdrive Models Non O/Drive Models Overdrive Models Add the above 7 items to Parts List with remarks as shown. From B.395017309". Std. B.395017327 O/Drive
			Primary (Clutch) Shaft (Stemwheel)	Add remarks "Up to B.395002814 BU".
		1236602 9101826	Primary (Clutch) Shaft (Stemwheel) Plug - Stemwheel)Add to Parts List)with remarks)"From B.395002815)BU up to intro-)duction of)1238388".
GA.3	1219876 1228204		Relay Lever c/w Pin) * Shoe - Relay Lever) Reverse Gear *See Data Sheet 2B/111)Add remarks "Up)to B.395004541".
		1238392	Relay Lever c/w Pin - Reverse Gear	Add to Parts List with remarks "From B.395004542"

AMENDMENT No. 16 To PARTS LIST 6600992 (Cont.)

Parts List Page No.	Old Part No.	New Part No.	Description	Nature of Modification
GA.3	1216915		Speedometer Driving Wheel	Add remarks "Up to introduction of 1236713".
		1236713	Speedometer Driving Wheel	1 Off Add to Parts List with remarks "Non O/Drive Models From B.395017309".
GA.3/4	1228259 1203057 1203076		Shaft c/w Lever Closing plate - Top cover Dust Cover - Rubber	Add remarks "Up to B.395014025".
		1239011	Shaft c/w Lever - Gearshift	1 Off Add to Parts List
		1239013	Closing Plate - Top Cover	1 Off with remarks "From B.395014025".
H.2	5039834		Sun wheel & shaft	Add remarks "Up to introduction of 5044108".
		5044108	Sun wheel & Shaft	1 Off Add to Parts List with remarks "From Unit 3EP-1001".
	5039973		Oil ring	Add remarks "Up to introduction of 5044109".
		5044109	Oil ring - Rear, Sun wheel shaft	1 Off Add to Parts List with remarks "From Unit 3EP-1001".
H.3	5039870		Spring pin - Pivot pin	Add remarks "Used up to Unit No. 3EP-2984".
H.4	9107026	9107024	'O' Ring - Parking Brake	Part No. Correction.
	5039891		Valve Block Complete	Add remarks "Replacement available."
H.5	1216794		Speedometer pinion	Add remarks "Used on models to USA/CANADA Up to B.94102640".
		1216793	Speedometer Pinion	1 Off Add to Parts List with remarks "USA/CANADA only From B.94102641".

AMENDMENT No. 16 To PARTS LIST 6600992 (Cont.)

Part List Page No.	Old Part No.	New Part No.	Description	Nature of Modification
H.6	1224457		Selector gate	Add remarks "Up to B.94103316".
		1235331	Selector gate 1 Off	Add to Parts List with remarks "From B.94103317".
MA.3	5220811		Shock Absorber	Add remarks "Up to B.395003872 Alpine V".
		5221220	Shock Absorber 2 Off	Add to Parts List with remarks "Alpine Series V Models only From B.395003873".
N.1 etc.	1210144 5220640		U.S.A. & CANADA Differential Unit (4.222:1 Ratio) Crown Wheel & Bevel Pinion	Add remarks "Up to B.395010312".
		* 1210195 5220639	Differential Unit (3.889:1 Ratio) 1 Off Crown Wheel & Bevel Pinion 1 Off	Add to Parts List with remarks "USA & CANADA only From B.395010313".
			Standard Transmission without Overdrive	* Up to introduction of 1238650.
	1210195	1210195	Differential Unit (3.89:1 Ratio) Standard Transmission without Overdrive)
	1218990	1218990	Differential Unit (4.222:1 Ratio) Standard Transmission with Overdrive)
	5220111	5220111	Housing (carrier) c/w bearing caps) Add remarks "Up to B.39501360"
	1215176	1215176	Abutment washer)
	5220439	5220439	Oil Seal - Bevel Pinion)
	9192009	9192009	Outer bearing - Bevel Pinion)
	1229719	1229719	Driver Coupling)
		*1238650	Differential Unit (3.889:1 Ratio) Std. Transmission without overdrive 1 Off) Add to Parts List
		**1238651	Differential Unit (4.222:1 Ratio) Std. Transmission with overdrive 1 Off) with remarks "From
		5221255	Housing (carrier) c/w bearing caps 1 Off) B.395013608".
		1219400	Abutment Washer 1 Off)
		5221256	Oil Seal) Bevel Pinion 1 Off)
		9192134	Outer Bearing) 1 Off)
		***1236702	DRIVER COUPLING (Companion Flange) 1 Off)
			* Up to introduction of 1239718	
			** Up to introduction of 1239719	
			*** Up to introduction of 1229719	

Continued

AMENDMENT No. TO PARTS LIST. (cont.)

Parts List Page No.	Old Part No.	New Part No.	Description	Nature of Modification
V.1 Cont'd.		1239718	Differential Unit (3.889:1 Ratio) Std. Transmission without overdrive 1 Off) Add to Parts List) with remarks) "From B.395017309) Standard) B.395017327) O/Drive".
		1239719	Differential Unit (4.222:1 Ratio) Std. Transmission with overdrive 1 Off	
		1229719	Driver Coupling (Companion Flange) 1 Off	
V.3	1223531		Driver Coupling	Add remarks "Up to B.94103696".
V.4		9107158	'O' Ring - Bearing 2 Off	Add to Parts List (Inset to 1801173)
P.1 *	5220867		Propellor Shaft - Standard Transmission without overdrive	Add remarks "Up to the introduction of 1239717".) Add to Parts List) with remarks) "Standard) Transmission) without O/Drive) Models only From B.395017309".
		1239717	Propellor Shaft - Standard Transmission without overdrive 1 Off	
		5044942	Flange Yoke 1 Off	
		5057511	Sleeve Yoke 1 Off	
		7080428	Journal & bearing pack 2 Off	
Q.2	5041087		Friction Pad (Car set of 4)	"Up to introduction of 5044372".
	5044372		Friction Pad (Car set of 4)	"From B.395003137 Knock-on Road wheel, B.395002906 Std. Road Wheel Alpine, B.382001283 Tiger 260".
			Please note that Piston Kit No.5039759 comprises of the following :- Piston Piston Ring 4 Off Rubber Cap 4 Off Amend Parts List accordingly.	Not Supplied
Q.2/3	5044372		Friction Pad) USA & CANADA ONLY) Add remarks "Up to introduction of 5058302/3/4".
	5044325 5044326		Brake Shoe c/w Linings Brake Linings c/w Rivets	
		5058302	Friction Pad (Car set of 4) 1 Off	USA & CANADA ONLY. Tiger '260'. Add to Parts List with remarks "From B.382002538".

AMENDMENT No. 16 To PARTS LIST 6000992 (Cont.)

Parts Page No.	Old Part No.	New Part No.	Description	Nature of Modification
3.2/3 Cont'd.		5058302 5058303 5058304	Friction Pad (Car set of 4) 1 Off Brake Shoes c/w Linings 2 Prs. Brake Linings c/w Rivets 4 Off)USA & CANADA ONLY)Alpine V Add to)Parts List with)remarks "From)B.395012981 Std.)Wire Wheels)B.395012949 Std.)Disc Wheels)B.395013029 O/D)Wire Wheels)B.395013652)O/D Disc Wheels".
1.5	5038518		Seal In Remarks Column amend the last cylinder No. to read 1235648.	
1.6/7/8	1228657 etc. etc. 5042973 5041117		Servo Unit etc. etc. Servo Repair Kit Servo Piston Repair Kit)Add remarks "Up)to introduction)of 1224548".))
		1224548	Vacuum Servo Unit 1 Off Note: A replacement Servo Unit is available in part exchange for the original.	
			Body	Not Supplied
		5039388	**Plug 1 Off	
		9122226	*Seal - Plug 1 Off	
		5039332	**Piston - Valve operating - Servo 1 Off *Spring)	Not supplied
		9206014	**Circlip)Operating 1 Off	
		5039329	**Abutment)Piston 1 Off	
		5039330	**Retainer) 1 Off *Piston - Output	Not supplied
		5030686	*Seal - Output Piston 1 Off	
		9109007	*Gland Seal - Piston Rod 1 Off Spring	Not supplied
		5040287	*Seal - Small) 1 Off	
		5040288	*Seal - Large)Piston 1 Off Stop Washer	Not supplied
		5040279	*Circlip - Piston Abutment 1 Off Spacer Seal))Not supplied
			Bush) Rocking Lever) Servo) Plate Valve))
		5042421	Coil Spring - Plate Valve 2 Off	
		5039335	Clip - Valve 2 Off	
			Guide - Rocking Lever	Not supplied
		5039336	Spring Valve 1 Off	

Continued.

AMENDMENT No. 16 To PARTS LIST 680099Z (Cont.)

Parts List Page No.	Old Part No.	New Part No.	Description	Nature of Modification	
6/7/8 Cont'd.		39413061	Screw No.10 UNF x 3/8")Rocking Lever	2 Off	
		9077070	Washer 2.BA Copper)Guide	2 Off	
		5039342	Vacuum Cylinder	1 Off	
		5042422	Vacuum Pipe Assembly	1 Off	
		5039385	*Gasket)Vacuum	1 Off	
		39413061	Screw No.10 UNF x 3/8")Pipe to	4 Off	
		9663123	Washer 3/16" Shakeproof)Cylinder	4 Off	
		9119530	*Grommet - Rubber Vacuum Pipe	1 Off	
		5039339	Retaining Plate - Grommet	1 Off	
		5039344	Clamping Plate - Servo	1 Off	
		5037760	*Gasket - Clamping Plate	1 Off	
		5220167	Screw 5/16" UNF x 11/16")Vacuum	3 Off	
		9077015	*Washer 5/16" Copper)Cylinder)to body	3 Off	
		5039343	Vacuum Piston & Rod	1 Off	
		9079100	Nylon Washer - Piston	1 Off	
		5030694	*Locking Ring - Vacuum Piston Seal	1 Off	
		5039345	Return Spring - Vacuum Piston	1 Off	
		5039340	End Cover - Vacuum Cylinder	1 Off	
		5039341	*Gasket)End Cover to	1 Off	
		39413061	Screw No.10 UNF x 3/8")Cylinder	8 Off	
		9564031	Nut No.10 UNF)Body.	8 Off	
		5042423	Cover - Element	1 Off	
		5042424	Element	1 Off	
		5042425	Seal	1 Off	
		39413061	Screw No.10 UNF x 3/8")Filter to Washer)Servo Body	1 Off	
		5042584	Servo Repair Kit	1 Off	
		5040239	Servo Piston Repair Kit	1 Off	
			The above items are added to Parts List with remarks "From B.395004058 Alpine Series V and B.382001233 Tiger '260'".		
		1206369	Bracket - Servo Unit)Add remarks "Up
		1206508	Clip - Servo Motor)to
		5220683	Screw 5/16" x 1/2" - Bracket to Frame)B.395004057".
			1238338	Bracket - Servo Unit	1 Off
			1237703	Clip - Servo Motor	1 Off
		5220684	Screw 5/16" x 3/8" - Bracket to Frame	3 Off	
)Add to Parts List	
)with remarks	
)"From B.395004058"	
Q.9 *	9163248	9163428	BRAKE PIPE (Line) hose to Rear Brake)Part No.	
	9163249	9163429	BRAKE PIPE (Line) R.H. Wheel Cylinder to L.H. Wheel Cylinder.)Corrections.)	
	9163382		Brake Pipe - Fiveway to rear hose abutment	Add remarks "Up to B.395016899".	
		9163466	Brake Pipe (Line) - Fiveway to rear hose abutment	Add to Parts List with remarks "From B.395016900"	
			1 Off		

AMENDMENT No. 16 To PARTS LIST 6000992 (Cont)

Parts List Page No.	Old Part No.	New Part No.	Description	Nature of Modification
Q.10	P.49043		Hose - Rear	Add remarks "Up to B.395002640".
		9168609	Hose - Rear	1 Off Add to Parts List with remarks "From B.395002641"
	1206070 1206077 1206069		Brake Pedal - RHD) Brake Pedal - LHD) Standard Rubber Pad - Brake Pedal) Transmission)Add remarks "Up to B.395002341)RHD &)B.395002286 LHD"
	1236454 1236455 1217859		Brake Pedal - RHD) Brake Pedal - LHD) Standard Rubber Pad - Brake Pedal) Transmission)Add to Parts List with remarks "From B.395002341)RHD &)B.395002287 LHD".
Q.13	1206593		Handbrake Cable - Long	Add remarks "Also used Tiger '260' MK.I Models".
	1229750		Handbrake Cable	Add remarks "Also Tiger '260' MK.II Models".
Q.14	1224358		Brake Rod	Add remarks "Up to B.395002767 Alpine. B.382001400 Tiger '260'".
		1236732	Brake Rod	1 Off Add to Parts List with remarks "From B.395002768 Alpine B.382001401 Tiger '260'".
RA.1/2	1206390 1206391 5041072 9067302 K.29835		Steering Unit - RHD Steering Unit - LHD Ball Race - Inner Column Tab Washer - Drop Arm Packing Washer - Adjustable Ball Race)Add remarks "Up to B.395011088)RHD -)B.395011880 LHD".
		1239026	Steering Unit - RHD	1 Off)Add to Parts List
		1239027	Steering Unit - LHD	1 Off)with remarks
		5043284	Ball race - Inner Column	1 Off)"From B.395011089
		5058081	Spring Washer - Droparm	1 Off)RHD)B.395011881 LHD".
S.3	5220809		Shock Absorber c/w Fixings	Add remarks "Up to B.395003073", Alpine V.

AMENDMENT No. 16 To PARTS LIST 680099 (Cont.)

Parts List Page No.	Old Part No.	New Part No.	Description		Nature of Modification
1.3 Cont'd.		5221221	Shock Absorber c/w Fixings	2 Off	Add to Parts List with remarks "From B.395003074 Alpine V".
A.1	1217202 1216238 9214001		Radiator Block (Core) Boss - Drain Tap Drain Tap)Add remarks "Up to B.395004644".)
		1217405	Radiator Block (Core)	1 Off)Add to Parts List
		1217376	Boss - Drain Tap	1 Off)with remarks
		1217377	Drain Tap	1 Off)"From B.395004644"
		9122204	Washer - Sealing	1 Off)
A.2	1228732 etc. etc. 9166010		Petrol Pipe - Balance pipe to Petrol Pump etc. etc. Sleeve)Add remarks "Up to B.395003168"))
		9168045	Petrol (Fuel) Pipe - Balance Pipe to Petrol (Fuel) Pump	1 Off)Add to Parts List
		9119608	Grommet - Petrol (Fuel) Pipe	4 Off)with remarks
		9179216	Clip - Petrol (Fuel) Pipe to clutch Housing	1 Off)"From B.395003169".)
A.2	1236476 1206513		Intermediate Exhaust Pipe & Silencer (Muffler))Add to remarks
			Silencer (Muffler) Secondary/w Tail Pipe)Column)" & France")
1.3	1235775		Thermometer		Add remarks "Up to introduction of 1239812".
		1239812	Thermometer	1 Off	Add to Parts List with remarks "From B.395016586".
		1205576	Voltage Regulator		Add remarks "Up to B.395015060".
		1801197	Voltage Regulator BR.1307/00		Add Parts List with remarks "From B.395015061".
1.5	1800522 1800528 5042054		Headlamp MK.10 - Left Dipping Headlamp MK.10 - Vertical Dipping Body Assembly)Add remarks "Up to B.395007545)Alpine &)B.382002388 'Tiger'

Continued.

AMENDMENT No. 16 To PARTS LIST 600992 (Cont.)

Parts List Page No.	Old Part No.	New Part No.	Description	Nature of Modification
W.15 Cont'd.		5043780	Headlamp - Left Dipping 58811 2 Off)Add to Parts List)with remarks)"From B.395007546)Alpine &)B.382002389)Tiger".
		1800521	Headlamp - Vertical Dipping 54052429 2 Off	
		5043565	Body Assembly 54522342 2 Off	
		5058600	Retainer (Plastic)- Trimmer Screw 54522798 6 Off	
W.6	1800465		Gasket	Amend remarks to read "Up to B.94101748 Alpine, B.9472145 Tiger '260'".
	1228806		Gasket	Amend remarks to read "From B.94101749 Alpine B.9472146 Tiger '260'".
			Headlamp Type F.700 MK.10 59232)Add remarks)"Up to Alpine V)B.395007545 &)Tiger)B.382002388)USA & CANADA")))
			Rim or Door (Chrome) 54522186	
			Plate - Light Unit Retaining 54521913	
			Screw - Unit Fixing 186137	
			Rim - Unit Seating 54522086	
			Sealed Beam Unit 54522231	
			Adaptor 553738	
			Sleeve Terminal 555910	
			Spring Unit Seating Rim 54520514	
			Headlamp Type F.700 MK.10 59227)Add to Parts List)with remarks)"From Alpine V)B.395007546 &)Tiger)B.382002389)USA & CANADA"
		Rim/Door 54521943		
		Screw - Rim fixing 198898		
		Light Unit 54522231		
		Adaptor - Light Unit 553738		
		Retaining Plate - Light Unit 54520549		
		Nut - Rim Fixing 187117		
	1217994		Rim	Add remarks "Up to introduction of 5037294"
		5037294	Rim - Headlamp 54520411 2 Off	Add to Parts List with remarks "From B.395007546 Series V. B.382002389 Tiger '260' Up to introduction of 2239546".
		2239546	Rim - Headlamp 2 Off	Add to Parts List with remarks "Tiger MK.II, Alpine to follow".

AMENDMENT No. 16 To PARTS LIST 6600992 (Cont.)

Parts List Page No.	Old Part No.	New Part No.	Description	Nature of Modification
W.9	1228982		Panel Light Switch - 34943	Correction to Maker's No.
W.9/10			Reverse Lamp - Type L.661 53862 Lens (Glass) 54570778 Gasket - Lens Seating 54571028 Body - Inner c/w Bulbholder 54571287 Bulb 382 Gasket - Lamp Seating 54573038)Add to Parts List)with remarks)"USA & CANADA)ALPINE V.)From B.395013542)Up to introduction)of 1239563".
		1239563 5058921 K.26796 5058922 1800253 9071126	Reverse Lamp (Wipac) 2 Off Lens - Reverse Lamp 2 Off Bulb 12v - 21w, SCC 2 Off Screw Set - Lens Fixing 2 Off Switch - Reverse Lamp 1 Off Washer - Switch A/R)Add to Parts List)with remarks)"From B.395013358)ST & B.395013399)G.T. Sunbeam '289')MK.II 1st. Prod."
W.13		1800892	Fan - Alternator 54216148	Add Part No. as shown. Delete "See Engine Motor Auxiliaries" from Description Column.
W.18	5041215 5041217 5043741		Arm LHD 54712034 Blade 54712818 Rubber 54716221 Arm 54715791 2 Off Blade 54701084 2 Off Rubber 54716221 2 Off)Add remarks "Up)to B.395013609)USA & CANADA only")Add to Parts List)with remarks)"From B.395013610)USA & CANADA only"
W.19		1239238	Horn - Low Note 1 Off	Add to Parts List with remarks "France only from Chassis No. B.395014244".
W.17/18	1219552 1219553 1219554 1219555 2218358 1235738 1236364 1235479 2235390 2235391		* Motor Unit - Type DR3A 75462 Wheelbox - Drivers 72782 Wheelbox - Passengers 72775 Tube - RHD)Motor to 54714914 Tube - LHD)Wheelbox 54714915 Bracket - Screen Wiper Motor * Motor Unit Type 6WA 75552 Wheelbox 72809 2 Off Tube - RHD)Motor to 54719207 1 Off Tube - LHD)Wheelbox 54719174 1 Off Bracket)Screenwiper 1 Off Carrier Bracket)Motor 1 Off)NOT SUPPLIED)Add remarks)Series III,IV & V)Up to B.395001747)B395002313 LHD RHD)Alpine '260')to B382000247.)NOT SUPPLIED)Add remarks)"From Series V)B.395001748 RHD)B.395002314 LHD)Alpine '260')B.382000248".

Printed in England

AMENDMENT No. 16 To PARTS LIST 000092 (Cont.)

Parts List Page No.	Old Part No.	New Part No.	Description	Nature of Modification
W.17/18 Cont'd.	9067016 9664162 9510040		Washer 1/4" plain)Wiper Carrier 2 Off Washer 1/4" s/proof)Bracket to 2 Off Nut 1/4" UNF)Mounting Bracket 2 Off *Amend remarks as shown. Carrier Bracket - Wiper Mounting **Entry nearest bottom of Page 18.)Add remarks "From Series V.)B.395001748 RHD)B.395002314 LHD)Alpine '260")B.382000248". Delete from Parts List.
	**2235391			
W.19		1239238	Horn - Low Note 1 Off	Add to Parts List with Remarks "From B 395014244 France Only"
		2239097	Bracket - Horn Mounting 1 Off	Add to Parts List
W.21	1235794 1235795		Chassis Harness RHD Chassis Harness LHD	Add remarks "Up to B 395015060"
		1238990 1238991	Chassis Harness RHD 1 Off Chassis Harness LHD 1 Off	Add to Parts List with remarks "From B395015061"
X3	2220700		Valve Ventilator	Add remarks "Up to introduction of 2239056"
		2239056	Valve - Ventilator 1 Off	Add to Parts List with remarks "From B.395003298 Std. B.395003656 GT. B.382001800 '260' "
X5	2220880 19503042 9683123 2207509 9520040 9564040		Control Rod a/w handle Screw No. 10 UNF)Bonnet (Hood) Washer 3/16")control rod bracket Slide Nut 1/4" UNF) Control rod Nut) to slide) Add remarks) "Up to) B395004385) Alpine) B382001825) '260'
				cont'd

AMENDMENT No. 16 To PARTS LIST 6600992 (Cont.)

Parts List Page No.	Old Part No.	New Part No.	Description	Nature of Modification
X5 cont'd		5057966 5057967 2211054 2237079	BONNET CONTROL CABLE ASSY Knob & Wire Body & Tube Nipple) Control Slide) Cable	- NOT SUPPLIED. 1 Off) Add to Parts 1 Off) List with remarks 1 Off) "From 1 Off) B.395004386) Alpine.) B.382001826) '260'
YW.1	2211933 2211936	2211934 2211935	End Support Panel OS/RH End Support Panel NS/LH) Part Number) Correction.
YX1.	2218430		Bonnet surround - Front	Add remarks " See Data Sheet 20/295"
YX2.		* 2239520 * 2239521 2225856 2225857 * 2235004 * 2235005	Amend Parts List to read as shown below Front Wing Panel assembly OS/RH Front Wing Panel assembly NS/LH Front Wing Panel OS/RH) Outer Front Wing Panel NS/LH) Front Wing Panel OS/RH) Inner Front Wing Panel NS/LH)	1 Off) 1 Off) Up to 1 Off) introduction 1 Off) 2237776/7. 1 Off) 1 Off) 1 Off)
	2225181		Scuttle panel	* New Items Add to Parts List. Amend remarks to read "Up to introduction 2235002"
		2235002	Scuttle panel	1 Off Add to Parts List with remarks "From * See note page YX3, up to introduction of 2235725"
	2235725		Scuttle panel	Amend remarks to read "Series V"
		9122215	Washer - Bonnet Prop.	1 Off Add to Parts List.

Printed in England

16
AMENDMENT No. 16 TO PARTS LIST 6600992 (Cont.)

Parts List Page No.	Old Part No.	New Part No.	Description	Nature of Modification
YX3	2225869 2226257		Reinforcement Tube O/S (RH)) Wheelarch to Reinforcement Tube N/S (LH)) Bulkhead) Add remarks) "Up to) B 395011892
		2239524 2239525	Reinforcement Tube O/S (RH)) Wheelarch to Reinforcement Tube NS (LH)) Bulkhead	1 Off Add to Parts 1 Off List with remarks "From B395011893"
YX6	2226203		Windscreen (Windshield) Glass - Laminated	Add remarks "Up to B 395013541 U.S.A. & CANADA ONLY"
		2235717	Glass - Laminated	1 Off Add to Parts List with remarks "From B 395013542 Alpine V. 1st. Production "Tiger 11" U.S.A. & CANADA ONLY"
YX7	1202164 19052045 9660121 9600521 9774086		Windscreen Washer Container Bracket - Container	Not Supplied
			Screw 2 BA x 1/2") Washer 3/16" Spring) Container Bracket Nut 2 BA) to mounting Bracket	
			Mounting bracket - Container bracket - Not Supplied. Screw No. 10 x 1/2" - Bracket to body	
		1228908	CONTAINER - Screenwasher	1 Off)
		1228910	Bracket - Container	1 Off)
		9774066	Tapping Screw No. 10 x 3/8") Container	2 Off)
		9068009 9663123	Washer No. 10) bracket Washer No. 10 shakeproof) to body	2 Off) 2 Off)
1228908	Container - Screenwasher		Add remarks "Up to B 395010975 USA & CANADA Alpine V "	
	1239230	Container - Screenwasher	1 Off	Add to Parts List with remarks "From B 395010976 USA & CANADA Alpine V."

AMENDMENT No. 18 TO PARTS LIST 6600992 (Cont.)

Parts List Page No.	Old Part No.	New Part No.	Description	Quantity	Nature of Modification	
YX12	2235584		Capping OS		Amend remarks to read "From B 395004201 Std B 395004266 GT B 382000380 '260' Tiger"	
	2235595		Capping NS			
	2220870		Seal OS			
	2220871		Seal NS			
		2235596	Seal OS/RH)Capping to pivot	1 Off) Add remarks) "Up to) introduction of) 2235596/7) Add to Parts List with remarks "From B.395004201 Std B 395004266 GT B 382000380 '260' Tiger "	
		2235597	Seal NS/LH)bracket & 'B' post	1 Off		
YX13	2220766		Sealing Rubber - Centre		Add remarks "Up to B 395008040	
	2220732		Sealing Rubber - OS/RH)Roof panel			
	2220733		Sealing Rubber - NS/LH)to body			
	2233610		Seal OS/RH)Roof panel (Rear			
	2233611		Seal NS/LH)Corner) to body			
	2220828		Retainer plate OS/RH			
	2220829		Retainer plate NS/LH			
			2239527	Sealing Rubber - Roof panel to body		1 Off
			2239534	Seal - OS/RH)Quarter light		1 Off
			2239535	Seal - NS/LH)lower		1 Off
		2239536	Retainer plate OS/RH)Seal to	1 Off		
		2239537	Retainer plate NS/LH)roof panel	1 Off		
YX17	5114490	5114499	Vynide VJ 1145 Black		Part Number Correction.	
YX18	5111361		Vynide -Perforated (50" wide) - Light Grey Headlining		Add remarks "Superseded by 5111362"	
		5111362	Vynide - Light Grey Headlining	A/R	Add to Parts List with remarks "Up to B.395015240"	
	2618288		Headlining complete -Perforated - Light Grey		Add remarks "Up to B.395015240"	

continued.

AMENDMENT No. 14 To PARTS LIST 6600992 (Cont.)

Parts List Page No.	Old Part No.	New Part No.	Description	Nature of Modification
YX18		5111363	Vynide VT 1233 -Black & White Polka Dot	Add to Parts List with remarks "From B 395015241" Hardtop only "
		2520853	Headlining Complete. Polka Dot	
YX 20	5112750		Furflex Piping Light Blue)	Add Remarks " Up to See Note#" Add to Parts List With Remarks "From See Note "** Add to Parts List.
	5112751		Black)	
	5112753		Calypso Red) O/S (RH)	
	5112754		Tan)	
	5112757		Light Blue)	
	5112758		Black)	
	5112760		Calypso Red) N/S (LH)	
	5112761		Tan) Door Aperture 'A' Post	
	5112764		Furflex Piping Light Blue)	
	5112765		Black)	
	5112767		Calypso Red)	
	5112768		Tan) Door Aperture - Sill	
	5112105		Furflex Piping Light Blue)	
	5112106		Black)	
	5112108		Calypso Red)	
	5112109		Tan) Door Aperture - Top	
	5116191		Furflex Piping Light Blue) 1 Off)	
	5116189		Black) O/S (RH) 1 Off)	
	5116190		Calypso Red) 1 Off)	
	5116199		Light Blue) 1 Off)	
	5116197		Black) N/S (LH) 1 Off)	
	5116198		Calypso Red) 1 Off) Door Aperture 'A' Post	
	5116206		Furflex Piping Light Blue) 2 Off)	
	5116204		Black) 2 Off)	
	5116205		Calypso Red) 2 Off) Door Aperture - Sill	
	5116214		Furflex Piping Light Blue) 2 Off)	
	5116211		Black) 2 Off)	
	5116212		Calypso Red) 2 Off) Door Aperture - Top	
	* Note:- These colours were used on and up to the following Chassis Numbers.			
	Alpine V	Sunbeam '260'		
	Black B 395004019	B 382001718		
	L/Blue B 395005514	B 382002037		
	C/Red B 395006029	B 382002261		

AMENDMENT No. 16 TO PARTS LIST 6600992 (Cont)

Parts List Page No.	Old Part No.	New Part No.	Description	Nature of Modification
YX 20 cont'd	5115024 5115022 5115023 5115025		<p>Note:- These colours are used on and from the following Chassis numbers</p> <p>Alpine V Sunbeam '260'</p> <p>Black B395004020 B 382001719</p> <p>L/Blue B395005515 B 382002038</p> <p>C/Red B395006030 B 382002261</p> <p>Moulded Gearbox Carpet - Tufted.</p> <p>Light Blue)</p> <p>Black)</p> <p>Calypso Red)</p> <p>Tan)</p>	<p>Add remarks "Up to B 395003297 Std. B 395003556 GT"</p>
		5115953 5115952 5115951 5115954	<p>Light Blue 1 Off)</p> <p>Black 1 Off)</p> <p>Calypso Red 1 Off)</p> <p>Tan 1 Off)</p>	<p>Add to Parts List with remarks "From B.395003298 Std B.395003556 GT"</p>
YX 21	5114696 *	5114697	<p>Carpet Complete</p> <p>Tan OS/RH - RED</p> <p>*Entry nearest bottom of page only</p>	<p>Part Number Correction</p>
YX 25	2228966 2228967		<p>Miscellaneous Trim (Standard Cars)</p> <p>Doors</p> <p>Finisher O/S (RH)) 'B' Post</p> <p>Finisher N/S (LH))</p> <p>Door Finishers</p> <p>Black)</p> <p>Calypso Red) O/S (RH)</p> <p>Light Blue) 'B' Post</p> <p>Black)</p> <p>Calypso Red) N/S (LH)</p> <p>Light Blue) 'B' Post</p> <p>* Note: 2228966/7 were used up to the introduction of the coloured Finishers. Introduction Points as follows:</p> <p>Alpine V Sunbeam '260'</p> <p>Black B 395004020 B 382001719</p> <p>L/Blue B 395005515 B 382002038</p> <p>Calypso Red B395006030 B 382002261</p>	<p>Add remarks "Up to See Note *.</p> <p>Add to Parts List With remarks "From See Note *</p>
YX 26	9128507	9128536	<p>Socket - Steering Column Strap</p>	<p>Part Number Correction</p>

Printed in England

AMENDMENT No. 1 To PARTS LIST 8600992 (Cont.)

Parts List Page No.	Part No.	New Part No.	Description	Nature of Modification
FX 27		2237052	Miscellaneous Trim (Standard) Hood Clip - Plastic hood (Rear) cover to body	A/R Add to Parts List.
		2239866	Miscellaneous Trim (Standard) Pentastar Medallion - OS/RH Front Wing	1 Off Add to Parts List
	2228966 2228967		Miscellaneous Trim and Fittings (G.T Only) Doors Finisher O/S (RH)) Finisher N/S (LH)) 'B' Post) Add remarks) Up to) See Note *
		5116218	Door Finishers Black)) 1 Off
		5116219	Calypso Red) O/S (RH) 'B') 1 Off
		5116220	Light Blue) Post,) 1 Off
		5116225	Black)) 1 Off
		5116226	Calypso Red) N/S (LH) 'B') 1 Off
		5116227	Light Blue) Post) 1 Off
			* Note: 2228966/7 were used up to the introduction of the coloured Finishers. Chassis introduction points are as follows:- Alpine V Sunbeam '260' Black B 395004020 B 382001719 Light Blue B 395005515 B 382002038 Calypso Red B 395006020 B 382002261.) " See Note * "
FX 29		2239866	Miscellaneous Trim (G.T.) Pentastar medallion - OS/RH Front Wing	1 Off Add to Parts List.
ZU9	2228979		Hardtop Complete	Add remarks "Up to B 395008040"
		2239538	Hardtop Complete	1 Off Add to Parts List with remarks "From B.395008041"
	9763068		Screw No. 8 x 3/8"	Correction to Description.

AMENDMENT No. 16 To PARTS LIST 6600992 (Cont)

Parts List Page No.	Old Part No.	New Part No.	Description	Quantity	Nature of Modification
ZU.10	1229729 7105102 5041050 5043462 1800253 P 112542		Reverse Lamp Kit Reverse Lamp Lens & Rim Bulb 12 volt Switch Washer - Switch * Note:- Reverse Lamp fitted as Standard Equipment USA/CANADA From B 395013542. All other territories From B 395013358 S.T. B 395013399 G.T. Tiger '289' MK 11 1st Production.		Add remarks "Up to See Note *." SEE ELECTRICAL SECTION W
ZU.11		2235321	Safety Belt Kit (Front) (Lap Strap)	1 Off	Add to Parts List with remarks "Alpine Ser.V. & Tiger 11. CANADA"
	2225957 9762145		Safety Belt harness hook Tapping Screw - Fixing hook		Delete From Parts List
		2237732	Stowage hook - Safety belt	1 Off	Add to Parts List.
	2235131	2235181	Screw - Special 7/16"		Part Number Correction.
ZV1	1201342		Lifting Jack		Add remarks "Up to B 395000595"
		5220473	Lifting Jack	1 Off	Add to Parts List with remarks "From B 395000595"
ZW.1			SECTION H		
		5039802 5039891	Convertor Assembly Valve Block Complete		Add to Parts List.

Printed in England

